



US00D945039S

(12) **United States Design Patent**  
**Ke et al.**

(10) **Patent No.:** **US D945,039 S**  
(45) **Date of Patent:** **\*\* Mar. 1, 2022**

- (54) **OUTDOOR STUDIO FLASH**
- (71) Applicant: **ShenZhen Neewer Technology Co., Ltd.**, Shenzhen (CN)
- (72) Inventors: **Yan Ke**, Shenzhen (CN); **Jilin Liao**, Shenzhen (CN)
- (\*\*) Term: **15 Years**
- (21) Appl. No.: **29/760,369**
- (22) Filed: **Dec. 1, 2020**
- (51) **LOC (13) Cl.** ..... **26-05**
- (52) **U.S. Cl.**  
USPC ..... **D26/63**
- (58) **Field of Classification Search**  
USPC ..... D16/237, 239, 240; D26/1, 2, 3, 24, 63, D26/65, 93  
CPC ..... F21L 2/00; F21S 2/00; F21S 8/00; F21S 8/003; F21S 8/036; F21S 8/037; H01K 7/00; H01K 7/02; G03B 15/02; G03B 15/06; G03B 15/07  
See application file for complete search history.

10,900,649 B1 \* 1/2021 Todd ..... F21V 14/02  
D919,153 S \* 5/2021 Huang ..... G03B 15/02  
D26/63  
D920,420 S \* 5/2021 Ke ..... F16M 13/022  
D16/239

(Continued)

**FOREIGN PATENT DOCUMENTS**

GB 6108406 \* 12/2020

**OTHER PUBLICATIONS**

Amazon, "Wellmaking 80W Portable LED", first available Oct. 10, 2019. (<https://www.amazon.com/dp/B07YY1HH5X/>) (Year: 2019).\*

(Continued)

*Primary Examiner* — Lauren D McVey  
*Assistant Examiner* — Justin A Johnson  
(74) *Attorney, Agent, or Firm* — Rumit Ranjit Kanakia

(57) **CLAIM**

We claim the ornamental design for an outdoor studio flash, as shown and described.

**DESCRIPTION**

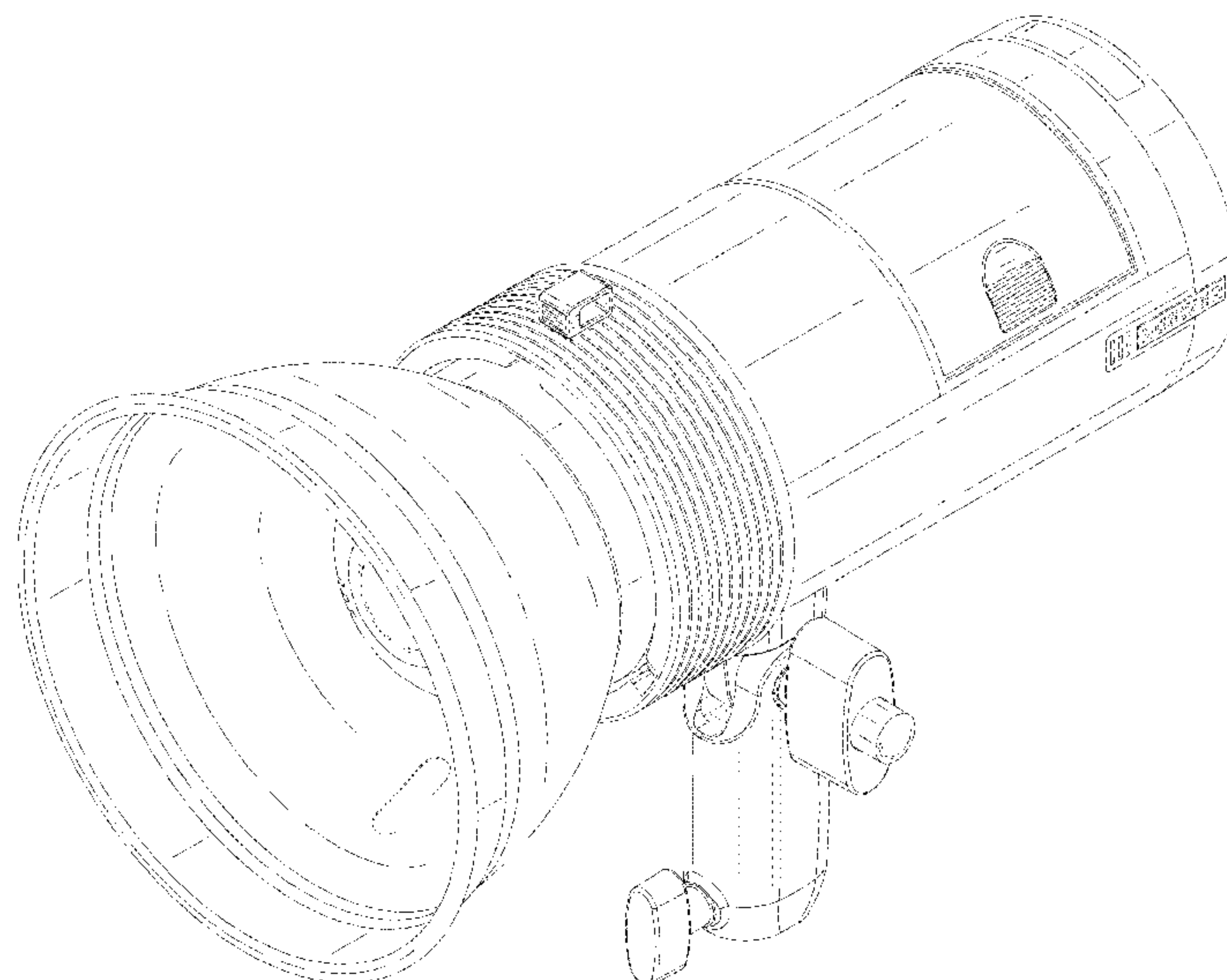
FIG. 1 is a Perspective view of an outdoor studio flash showing my new design;  
FIG. 2 is a Front view thereof;  
FIG. 3 is a Rear view thereof;  
FIG. 4 is a Right-side view thereof;  
FIG. 5 is a Left-side view thereof;  
FIG. 6 is a Top view thereof; and,  
FIG. 7 is a Bottom view thereof.  
The broken lines immediately adjacent to the shaded areas depict the bounds of the claimed design, while all other broken lines are directed to environment. The broken lines form no part of the claimed design.  
The "NEEWER" lettering and icon forming part of the disclosure is a registered trademark of HENZHEN XING YING DA INDUSTRY CO. LTD.

**1 Claim, 7 Drawing Sheets**

(56) **References Cited**

**U.S. PATENT DOCUMENTS**

- D395,725 S \* 6/1998 West ..... D26/24
- 6,786,622 B1 \* 9/2004 Rice ..... B60Q 1/245  
362/271
- D544,978 S 6/2007 Jianbo
- D547,894 S 7/2007 Hu
- D547,895 S 7/2007 Yifei
- D547,896 S 7/2007 Yifei
- D548,869 S \* 8/2007 Zhouli ..... D26/63
- 7,978,971 B1 \* 7/2011 Honl ..... G03B 15/02  
396/198
- D754,241 S \* 4/2016 Ferro ..... D16/239
- D779,578 S \* 2/2017 Szumilak ..... D16/237
- D884,776 S \* 5/2020 Chen ..... F21S 8/003  
D16/239



(56)

**References Cited**

U.S. PATENT DOCUMENTS

2005/0190550 A1\* 9/2005 Kennedy ..... F21S 8/003  
362/157  
2018/0373126 A1\* 12/2018 Richins ..... F16M 13/022  
2019/0250485 A1\* 8/2019 Richins ..... F16M 13/022

OTHER PUBLICATIONS

Amazon, "Godox SK400II 400Ws Photo Studio Strobe Flash", first available Jun. 3, 2020. (<https://www.amazon.com/dp/B089LWKSFP/>) (Year: 2020).\*

Amazon, "Neewer ML300 300W GN60 Outdoor Studio Flash Strobe", first available Jul. 14, 2020. (<https://www.amazon.com/Neewer-Outdoor-Cordless-Monolight-Wireless/dp/B08CXN9HPW/>) (Year: 2020).\*

Instagram, "neewer", first available Apr. 14, 2020. (<https://www.instagram.com/p/B--US0xjap9/>) (Year: 2020).\*

[https://www.amazon.com/Neewer-Outdoor-Cordless-Monolight-Wireless/dp/B08CXN9HPW/ref=sr\\_1\\_1?dchild=1&keywords=B08CXN9HPW&qid=1606292041&s=electronics&sr=1-1](https://www.amazon.com/Neewer-Outdoor-Cordless-Monolight-Wireless/dp/B08CXN9HPW/ref=sr_1_1?dchild=1&keywords=B08CXN9HPW&qid=1606292041&s=electronics&sr=1-1;); Jul. 14, 2020.

\* cited by examiner

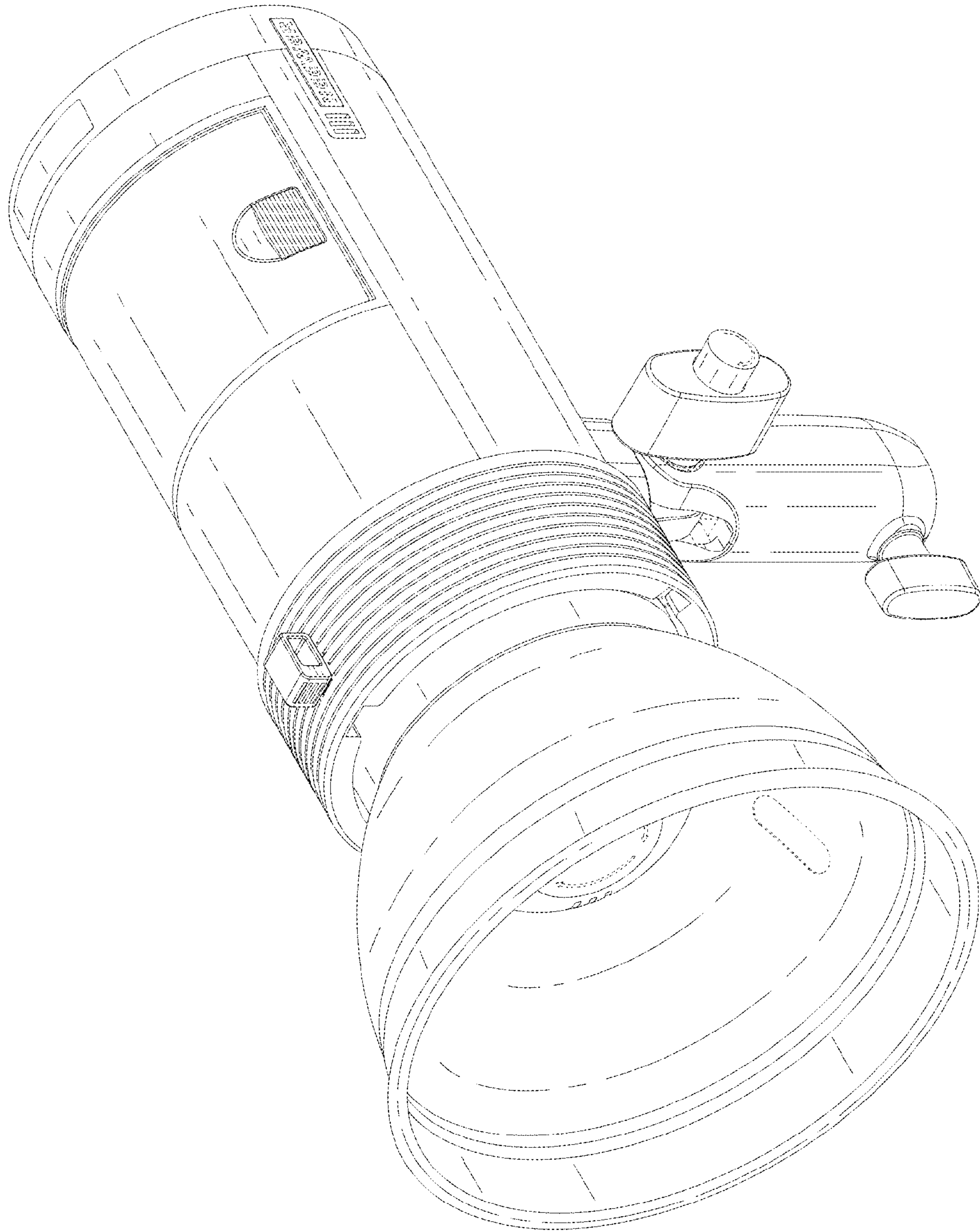


FIG. 1

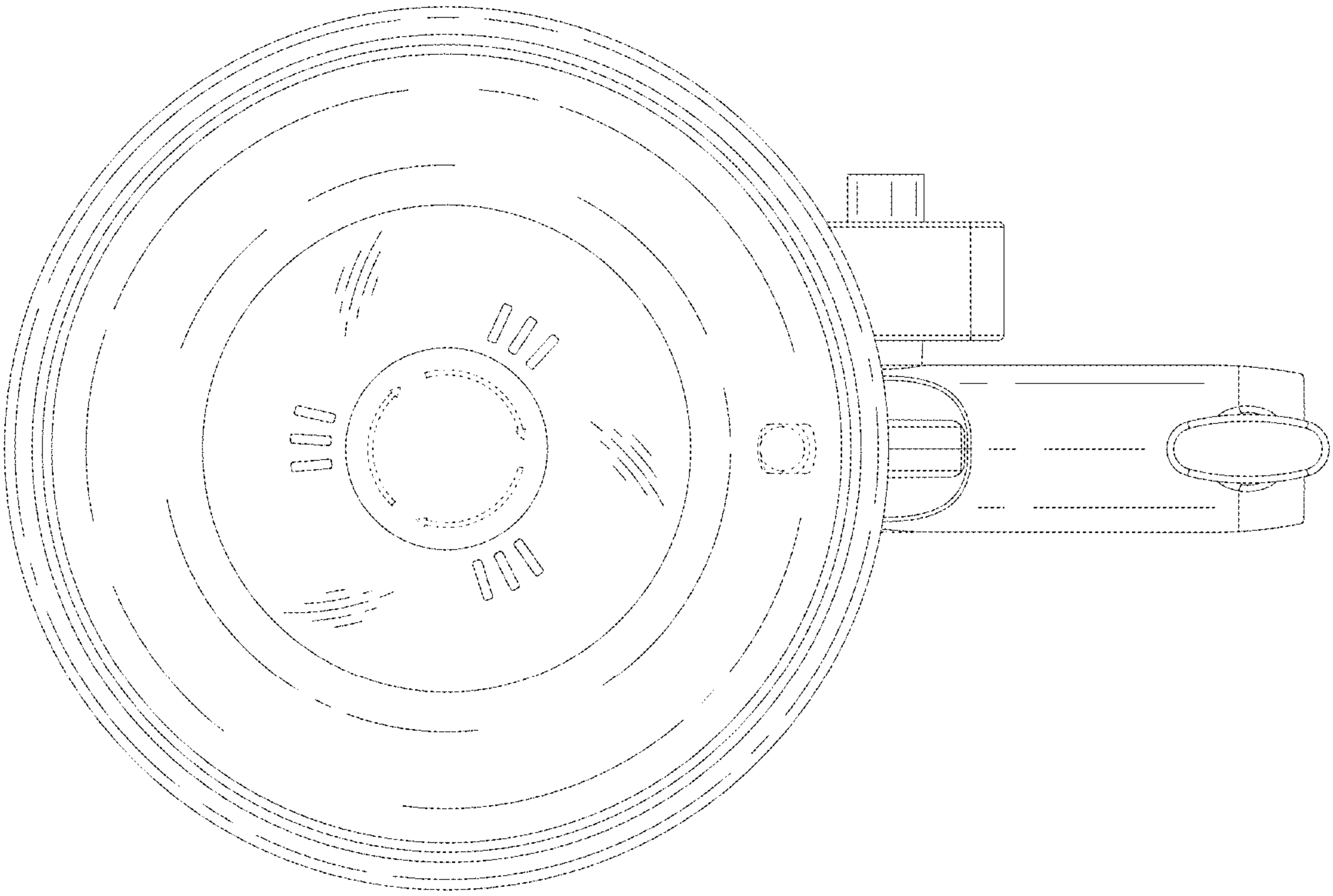


FIG. 2



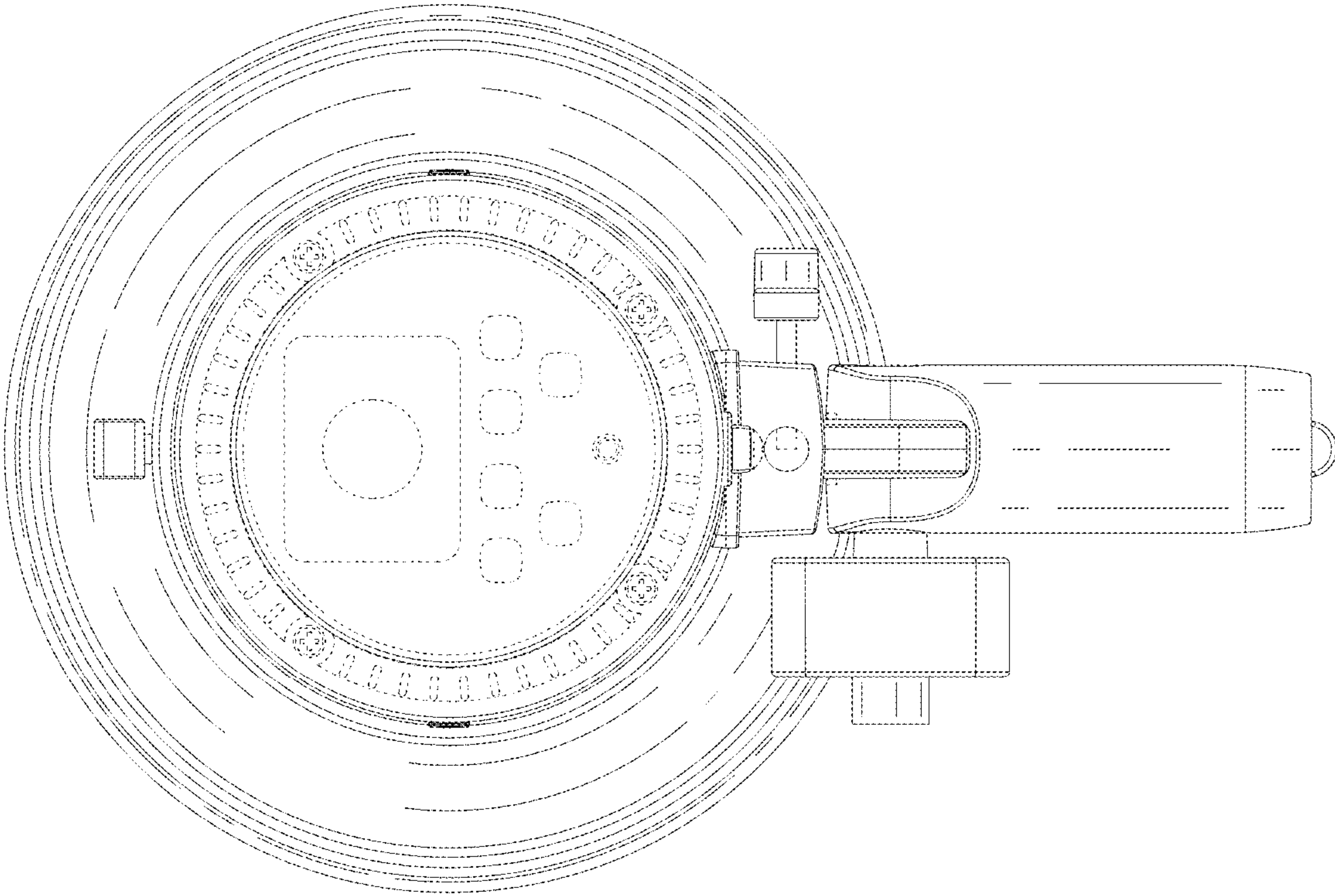


FIG. 3

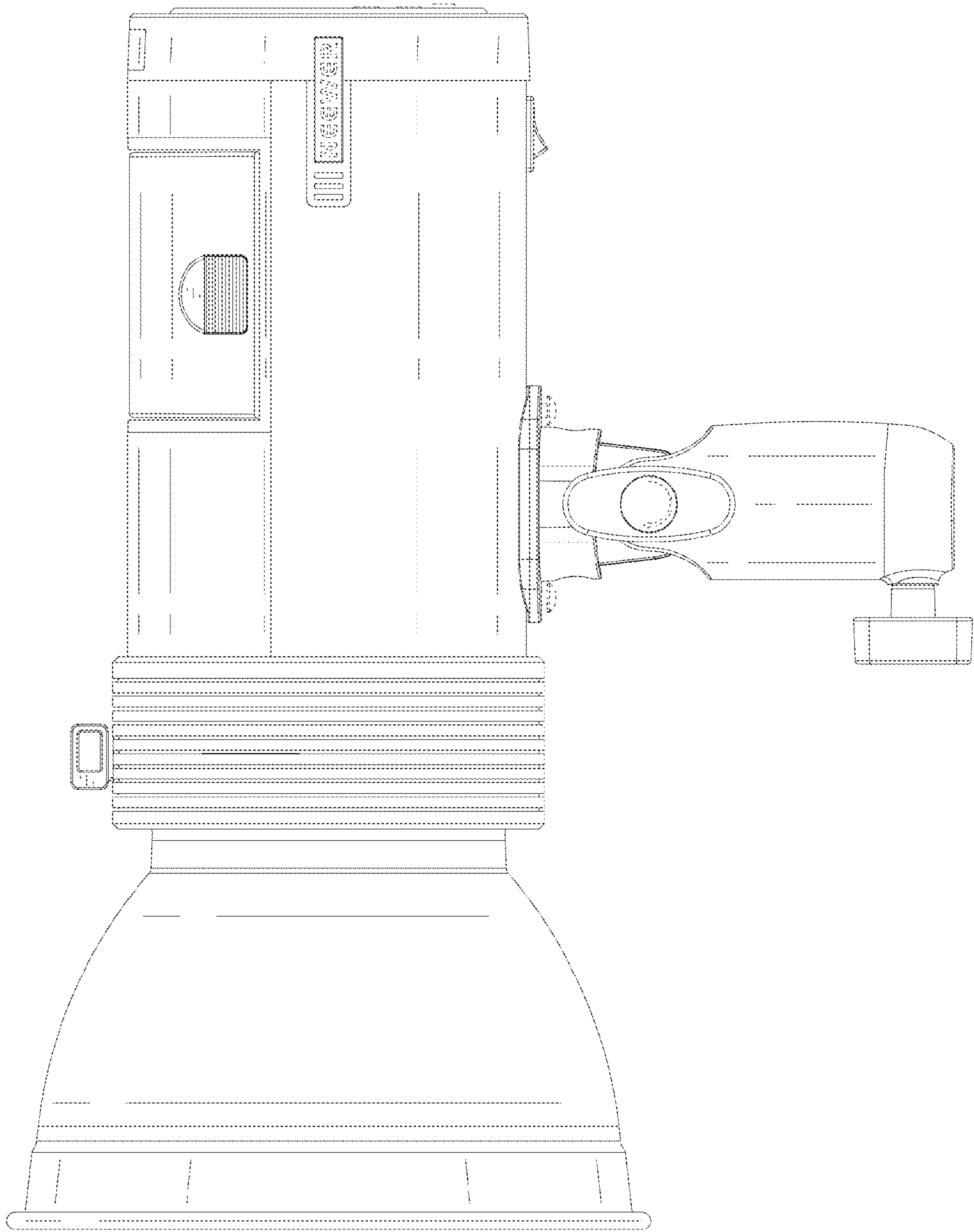


FIG. 4

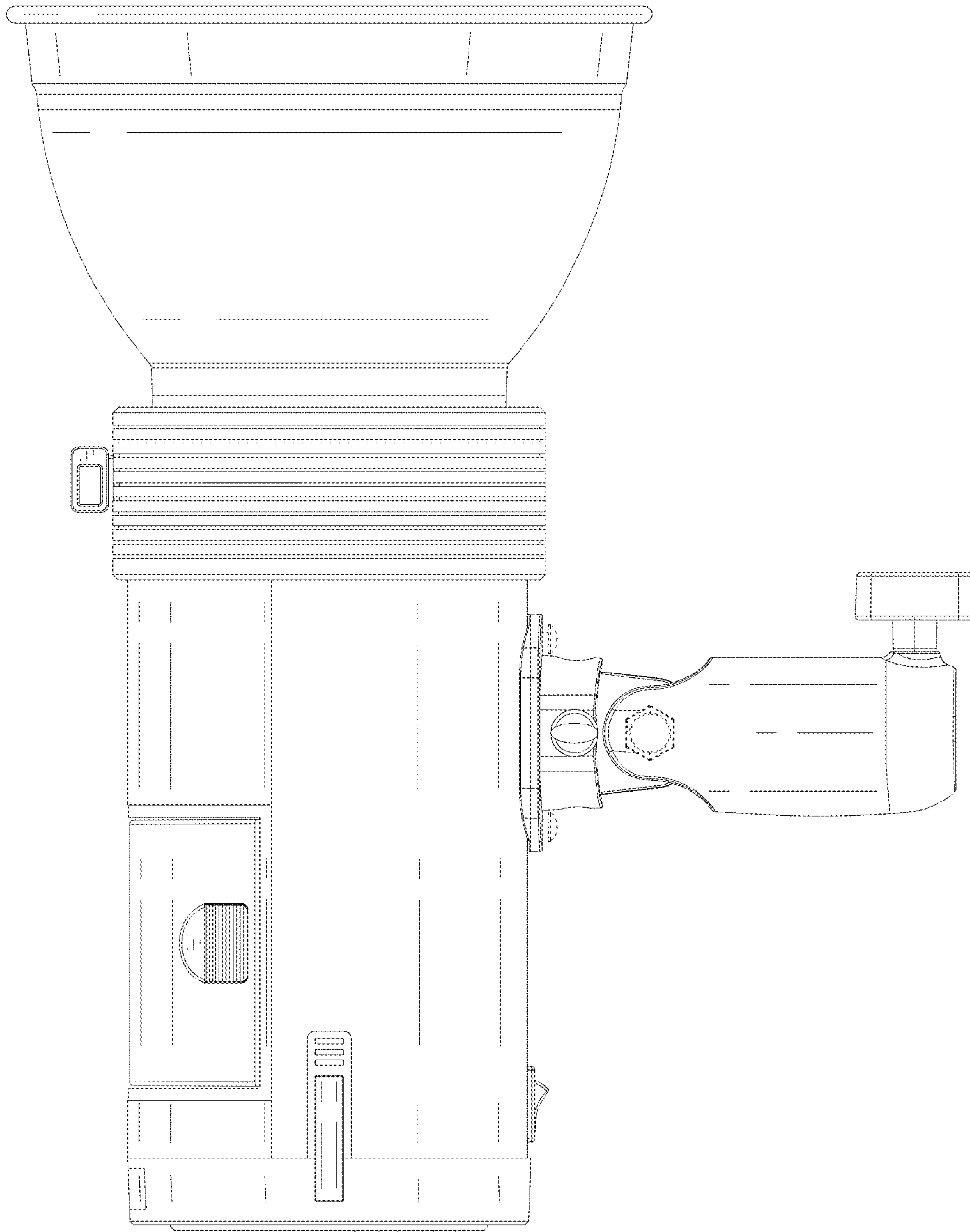


FIG. 5

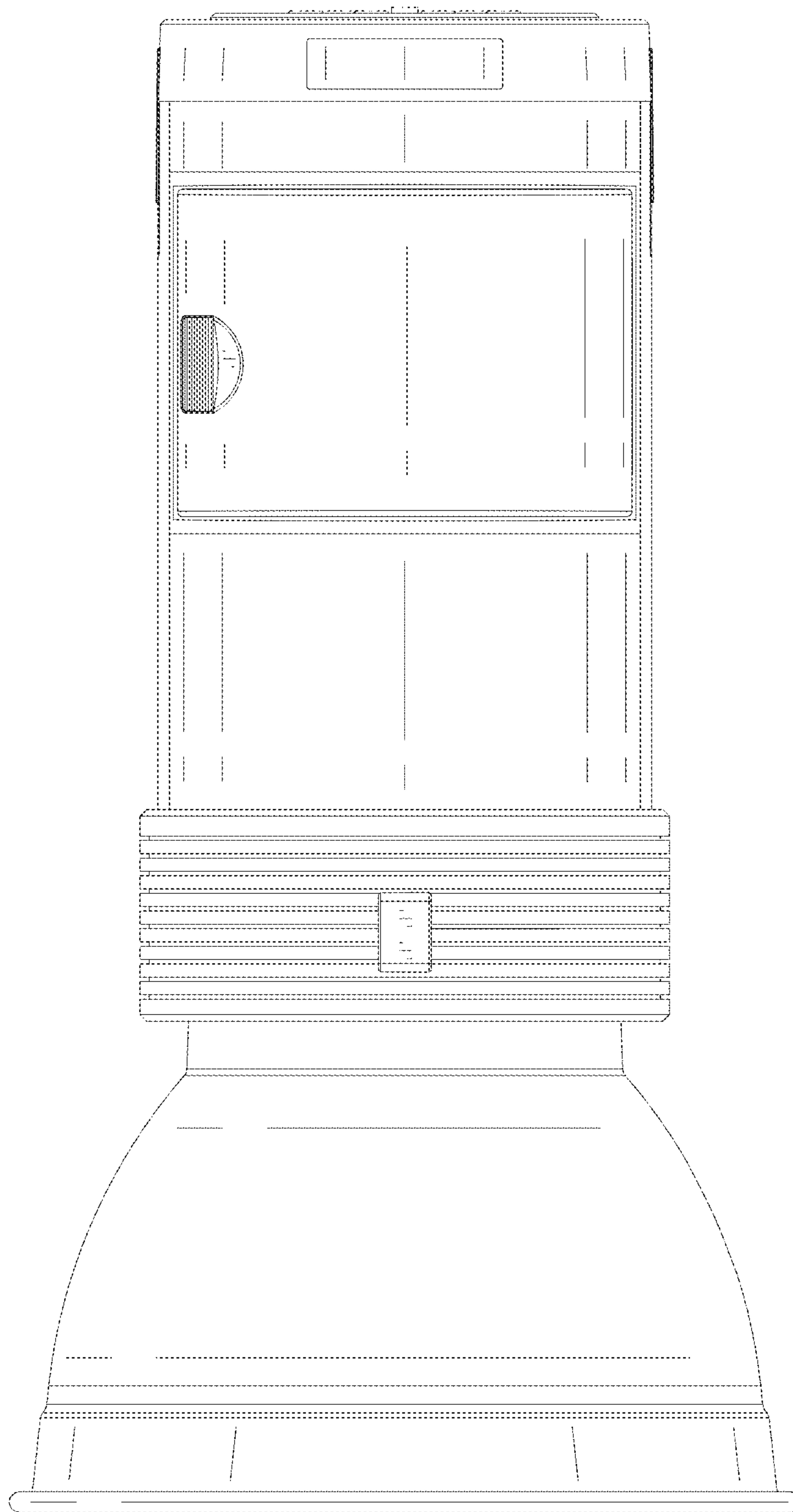


FIG. 6



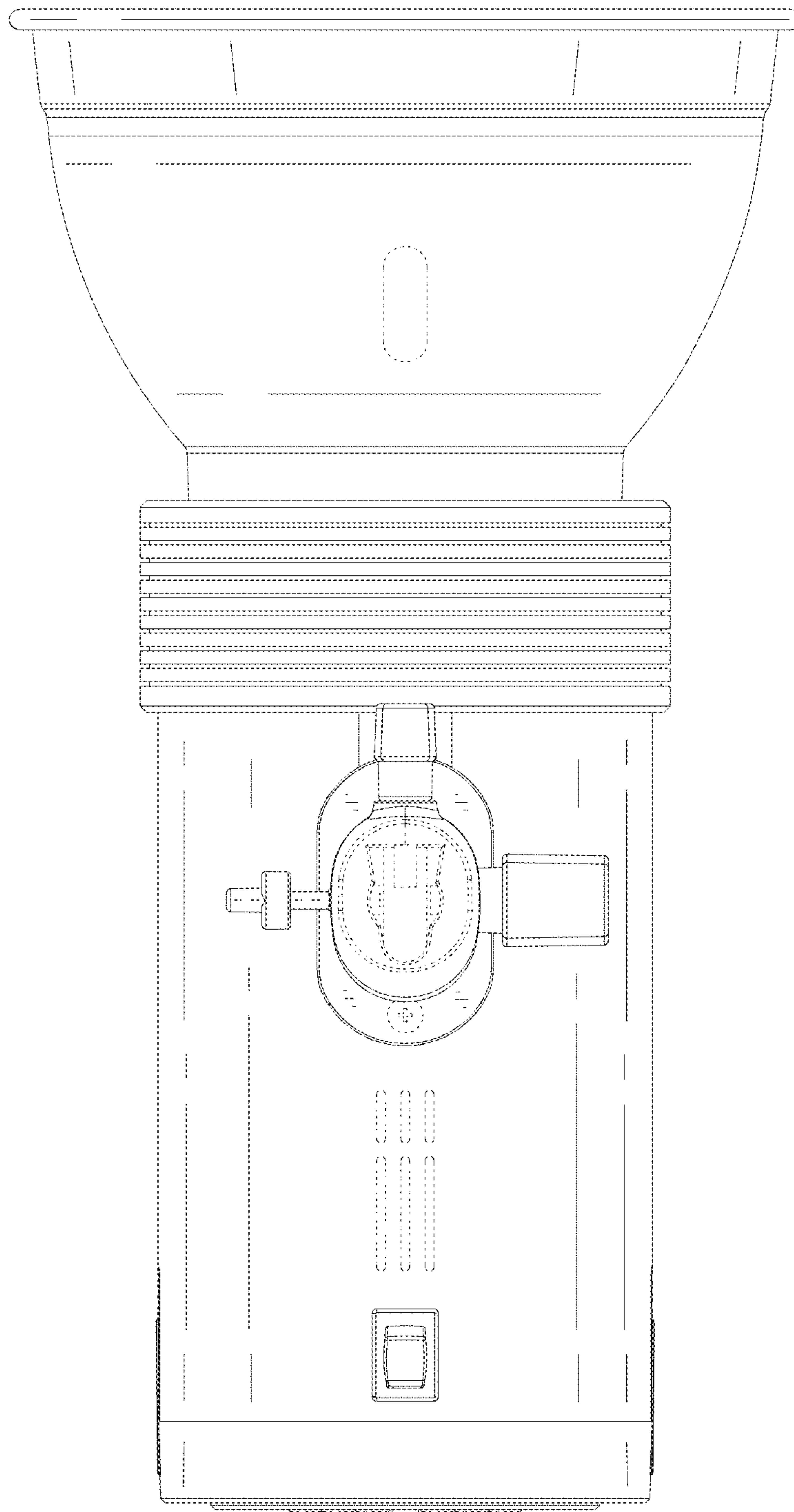


FIG. 7