



US00D945037S

(12) **United States Design Patent**  
**Guindi**

(10) **Patent No.:** **US D945,037 S**

(45) **Date of Patent:** **\*\* Mar. 1, 2022**

(54) **FLASHLIGHT**

(71) Applicant: **E. MISHAN & SONS, INC.**, New York, NY (US)

(72) Inventor: **Jack Guindi**, New York, NY (US)

(73) Assignee: **E. MISHAN & SONS, INC.**, New York, NY (US)

(\*\*) Term: **15 Years**

(21) Appl. No.: **29/731,330**

(22) Filed: **Apr. 14, 2020**

(51) **LOC (13) Cl.** ..... **26-02**

(52) **U.S. Cl.**  
USPC ..... **D26/49**

(58) **Field of Classification Search**  
USPC ..... D26/24, 37-51, 113  
CPC ..... F21Y 2115/10; F21Y 2113/13; F21Y 2101/00; F21Y 2103/10; F21Y 2107/40; F21Y 2105/10; F21Y 2105/18; F21Y 2113/00; F21Y 2113/10; F21Y 2113/17; F21Y 2113/20; F21L 4/005; F21L 4/027; F21L 4/085; F21L 4/08; F21L 4/045; F21L

(Continued)

(56) **References Cited**

**U.S. PATENT DOCUMENTS**

2,876,410 A 3/1959 Fry  
D465,045 S \* 10/2002 Yamamoto ..... D26/49  
(Continued)

**OTHER PUBLICATIONS**

Olight Warrior Mini. By Olight. Dated Jun. 25, 2021. Found online [Nov. 1, 2021]. [https://www.amazon.com/OLIGHT-Flashlight-Proximity-Rechargeable-Flashlights/dp/B094C69CRN/ref=sr\\_1\\_114?dchild=1&keywords=flashlight&qid=1635773501&sr=8-114&th=1](https://www.amazon.com/OLIGHT-Flashlight-Proximity-Rechargeable-Flashlights/dp/B094C69CRN/ref=sr_1_114?dchild=1&keywords=flashlight&qid=1635773501&sr=8-114&th=1) (Year: 2021).\*

(Continued)

*Primary Examiner* — Marissa J Cash  
*Assistant Examiner* — William B Melliar

(74) *Attorney, Agent, or Firm* — Notaro, Michalos & Zaccaria P.C.

(57) **CLAIM**

The ornamental design for a flashlight, as shown and described.

**DESCRIPTION**

The patent or application file contains at least one drawing executed in color. Copies of this patent or patent application publication with color drawings will be provided by the Office upon request and payment of the necessary fee.

FIG. 1 is a front, right, top perspective view of a flashlight showing my design therefor;

FIG. 2 is a rear, bottom, left perspective view thereof;

FIG. 3 is a top plan view thereof;

FIG. 4 is a bottom plan view thereof;

FIG. 5 is a front elevational view thereof;

FIG. 6 is a rear elevational view thereof;

FIG. 7 is a right side elevational view thereof;

FIG. 8 is a left side elevational view thereof;

FIG. 9 is a front, right, top perspective view thereof, shown in color;

FIG. 10 is a rear, bottom, left perspective view thereof, shown in color;

FIG. 11 is a top plan view thereof, shown in color;

FIG. 12 is a bottom plan view thereof, shown in color;

FIG. 13 is a front elevational view thereof, shown in color;

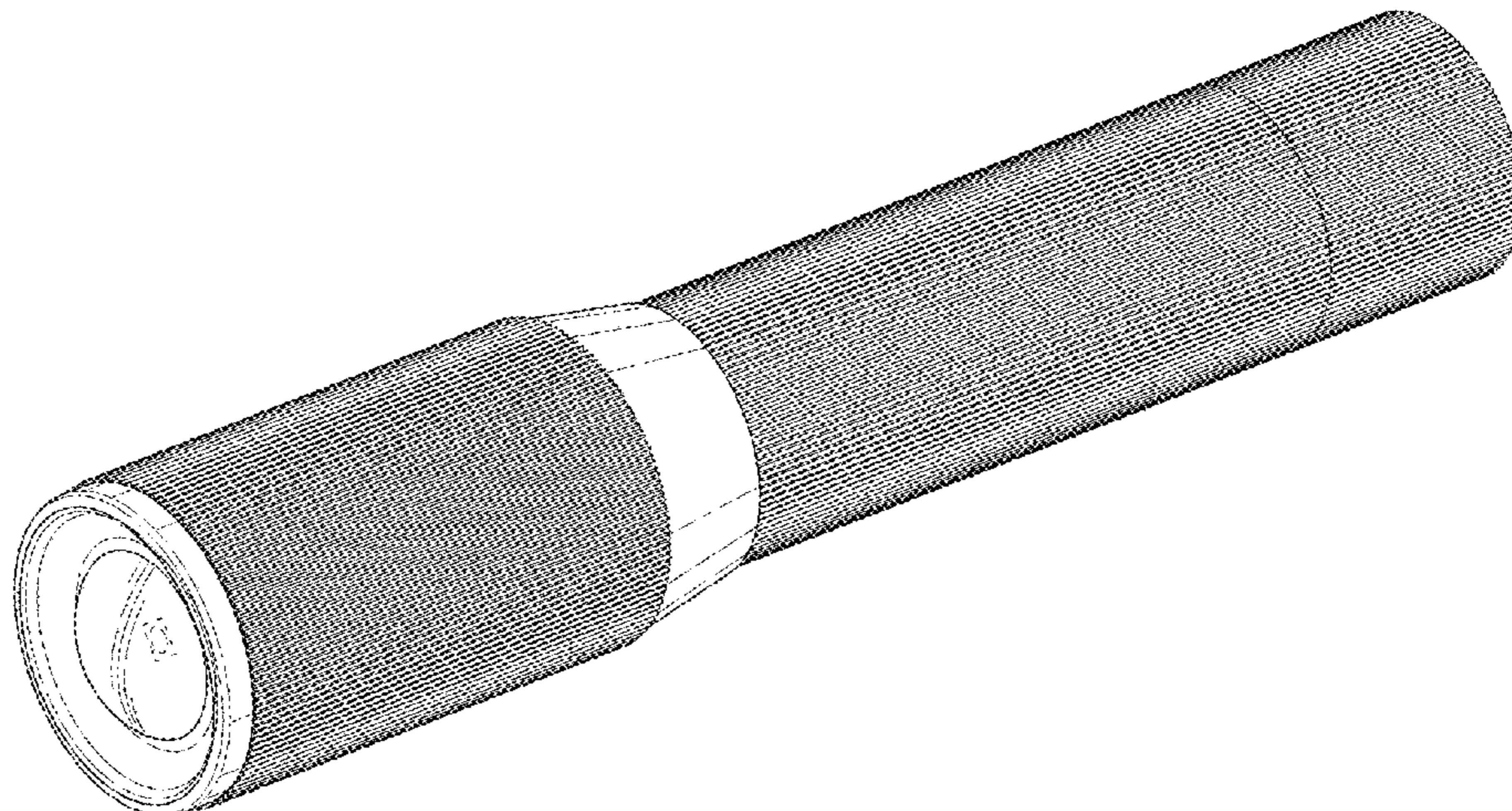
FIG. 14 is a rear elevational view thereof, shown in color;

FIG. 15 is a right side elevational view thereof, shown in color; and,

FIG. 16 is a left side elevational view thereof, shown in color.

The broken lines shown in the drawings depict portions of the flashlight that form no part of the claimed design.

**1 Claim, 14 Drawing Sheets**  
**(3 of 14 Drawing Sheet(s) Filed in Color)**



**(58) Field of Classification Search**

CPC ..... 4/00; F21L 4/02; F21L 4/022; F21L 4/04;  
 F21L 4/025; F21L 13/00; F21L 14/02;  
 F21L 2/00; F21V 23/0414; F21V  
 23/0428; F21V 23/0421; F21V 21/0965;  
 F21V 15/01; F21V 21/0885; F21V  
 21/406; F21V 23/0407; F21V 23/06;  
 F21V 33/0064; F21V 33/0084; F21V  
 14/025; F21V 23/04; F21V 14/065; F21V  
 21/084; F21V 23/003; F21V 5/006; F21V  
 5/04; F21V 21/08; F21V 23/0435; F21V  
 23/0464; F21V 31/00; F21V 31/005;  
 F21V 33/0076; F21V 33/008; F21V  
 7/0075; F21V 14/045; F21V 15/012;  
 F21V 17/12; F21V 19/02; F21V 21/0816;  
 F21V 21/0925; F21V 21/30; F21V  
 23/0471; F21V 3/00; F21V 13/045; F21V  
 17/10; F21V 21/096; F21V 21/145; F21V  
 23/023; F21V 23/0442; F21V 29/70;  
 F21V 33/0068; F21V 9/083; F21V 9/20;  
 F21V 11/08; F21V 13/14; F21V 14/04;  
 F21V 14/06; F21V 14/085; F21V 15/00;  
 F21V 17/002; F21V 17/02; F21V 17/06;  
 F21V 17/105; F21V 17/107; F21V  
 19/001; F21V 19/047; F21V 21/00; F21V  
 21/002; F21V 21/06; F21V 21/14; F21V  
 21/22; F21V 21/26; F21V 21/32; F21V  
 23/001; F21V 23/002; F21V 23/005;  
 F21V 23/02; F21V 23/045; F21V  
 23/0492; F21V 25/04; F21V 29/15; F21V  
 29/503; F21V 29/508; F21V 29/713;  
 F21V 29/763; F21V 29/767; F21V 29/89;  
 F21V 29/90; F21V 33/00; F21V 33/0004;  
 F21V 33/0036; F21V 33/0052; F21V  
 3/02; F21V 5/00; F21V 5/008; F21V  
 5/046; F21V 5/048; F21V 5/08; F21V  
 7/00; F21V 7/0008; F21V 7/0083; F21V  
 7/0091; F21V 7/04; F21V 7/041; F21V  
 7/06; F21V 7/22; F21V 7/24; F41G 1/35;  
 F41G 11/003; F41G 1/34; F41G 1/345;  
 F41G 11/001; F41G 1/36; F41G 3/2655;  
 B25F 1/04

See application file for complete search history.

**(56)**

**References Cited**

U.S. PATENT DOCUMENTS

D486,936	S	2/2004	Shiu	
D495,815	S	9/2004	Saunders	
D497,020	S	10/2004	Lee	
D501,942	S	2/2005	Saunders	
D515,230	S *	2/2006	Galli .....	D26/49
D523,981	S *	6/2006	Galli .....	D26/37
D525,733	S	7/2006	Shiao	
D551,366	S *	9/2007	Galli .....	D26/37
D557,836	S *	12/2007	Shiu .....	D26/37
7,503,671	B2	3/2009	Kang et al.	
D685,940	S *	7/2013	Lee .....	D26/49
D692,169	S	10/2013	Kamm	
D692,601	S	10/2013	Kamm	
D692,602	S	10/2013	Kamm	
D692,603	S	10/2013	Kamm	
D692,604	S	10/2013	Kamm	
D703,852	S	4/2014	Kamm	
D704,368	S *	5/2014	Opolka .....	D26/49
D706,475	S *	6/2014	Lee .....	D26/49
D725,302	S	3/2015	Popper	
D742,048	S	10/2015	Sheikh et al.	
D744,137	S *	11/2015	Ma .....	D26/49
9,287,730	B2	3/2016	Miller et al.	
9,312,706	B2	4/2016	Workman et al.	
9,362,766	B2	6/2016	Workman et al.	
9,515,419	B2	12/2016	Inskeep	
D783,193	S *	4/2017	Kao .....	D26/49
D793,597	S	8/2017	Feustel et al.	
9,843,208	B2	12/2017	Inskeep	
D879,345	S *	3/2020	Chen .....	D26/49
D922,641	S *	6/2021	Hu .....	D26/49
2011/0068741	A1	3/2011	Liu	
2013/0343042	A1	12/2013	Windom	
2015/0003050	A1	1/2015	Parsons	
2015/0036330	A1	2/2015	Economos	
2016/0356439	A1	12/2016	Inskeep	

OTHER PUBLICATIONS

Vont LED Tactical Flashlight. By Vont. Dated Mar. 24, 2015. Found online [Nov. 1, 2021]. [https://www.amazon.com/Ultra-Bright-Flashlight-Adjustable-Focus/dp/B00V45DSQS/ref=sr\\_1\\_189?dchild=1&keywords=flashlights&qid=1635773984&sr=8-189](https://www.amazon.com/Ultra-Bright-Flashlight-Adjustable-Focus/dp/B00V45DSQS/ref=sr_1_189?dchild=1&keywords=flashlights&qid=1635773984&sr=8-189) (Year: 2015).\*

DanForce Rechargeable LED Flashlight. By DanForce. Dated Aug. 25, 2019. Found online [Nov. 1, 2021]. <https://www.amazon.com/dp/B07WYTKYB7?pd> (Year: 2019).\*

\* cited by examiner

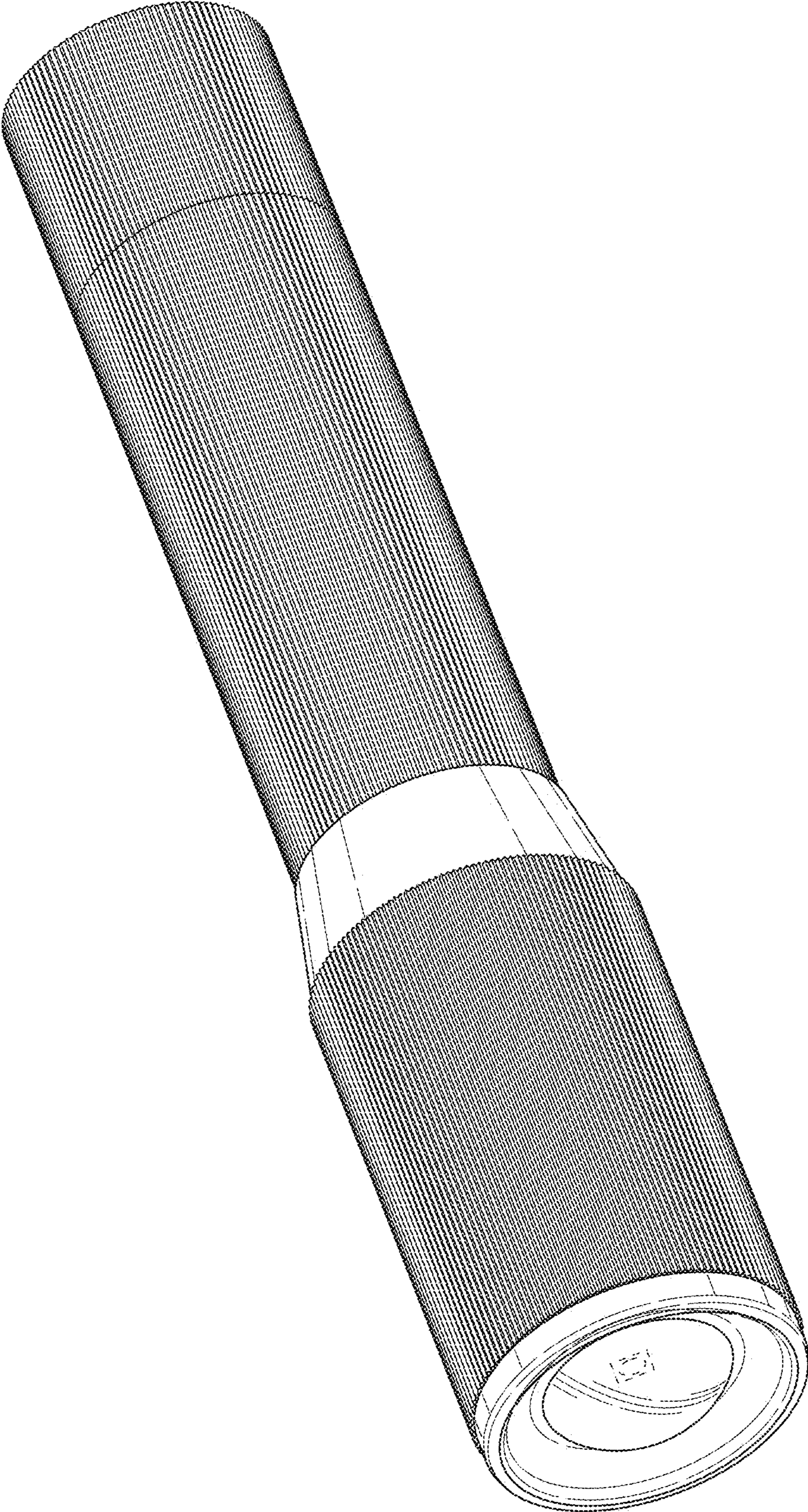


FIG. 1

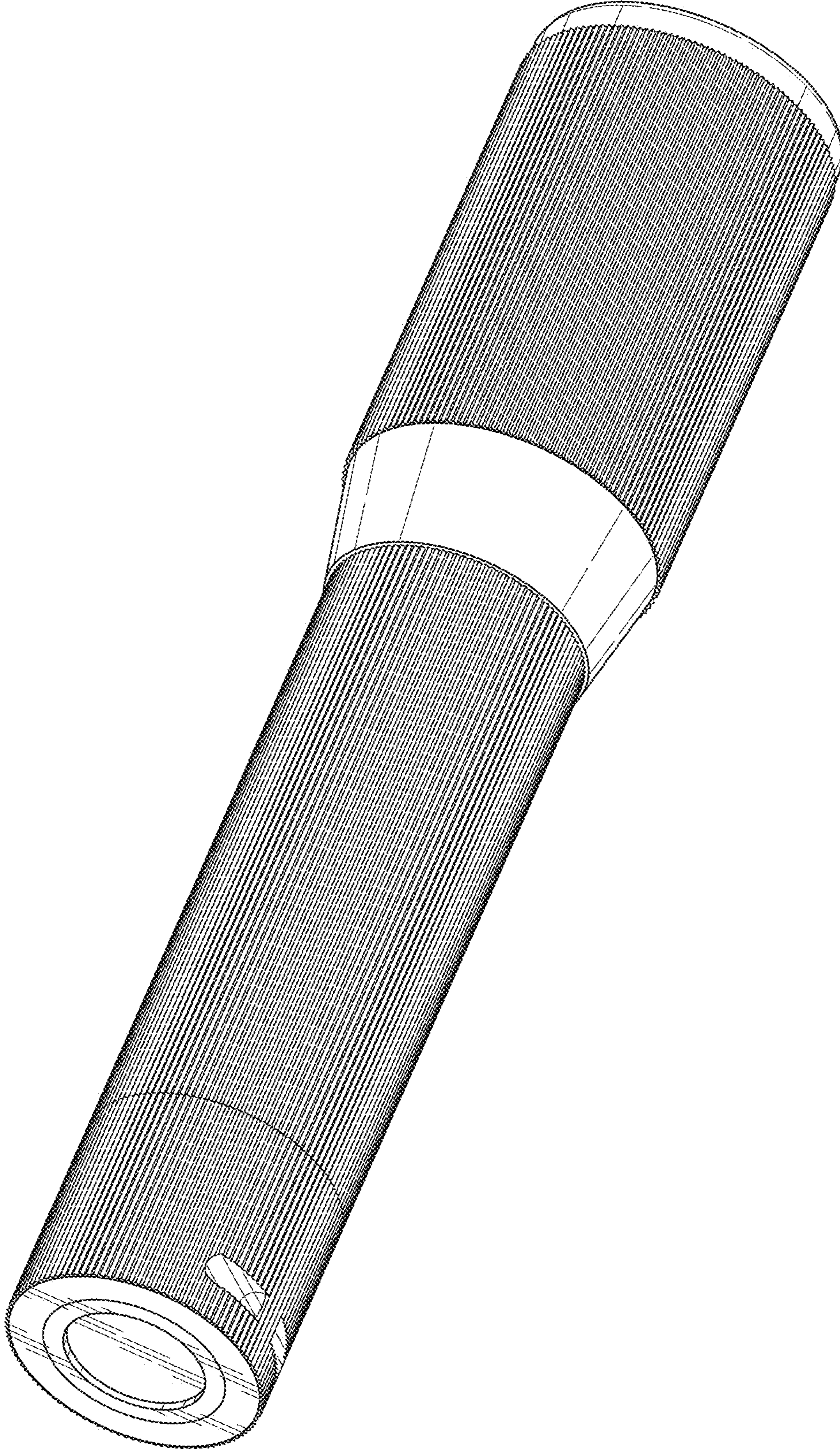


FIG. 2

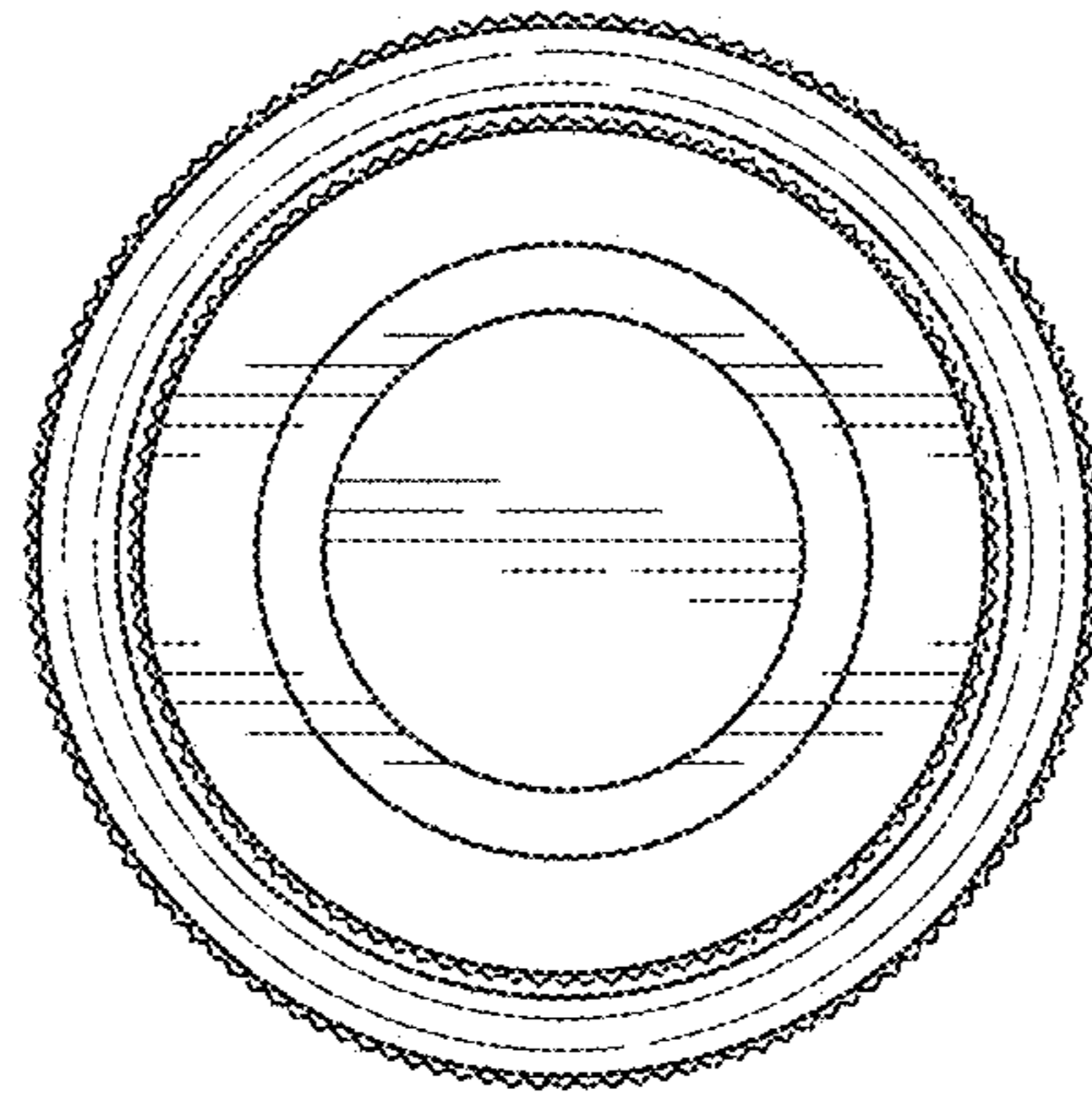


FIG. 4

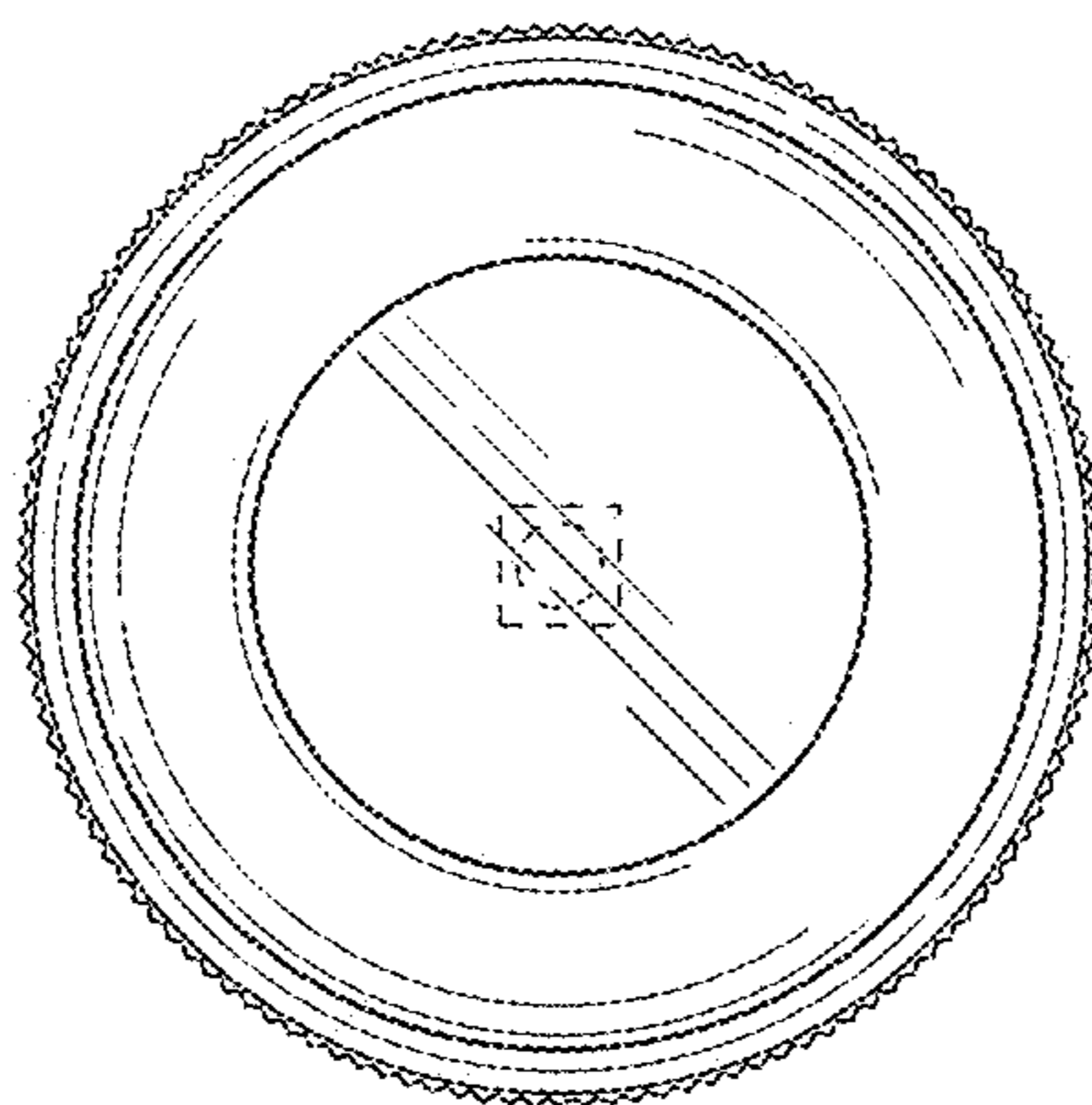


FIG. 3

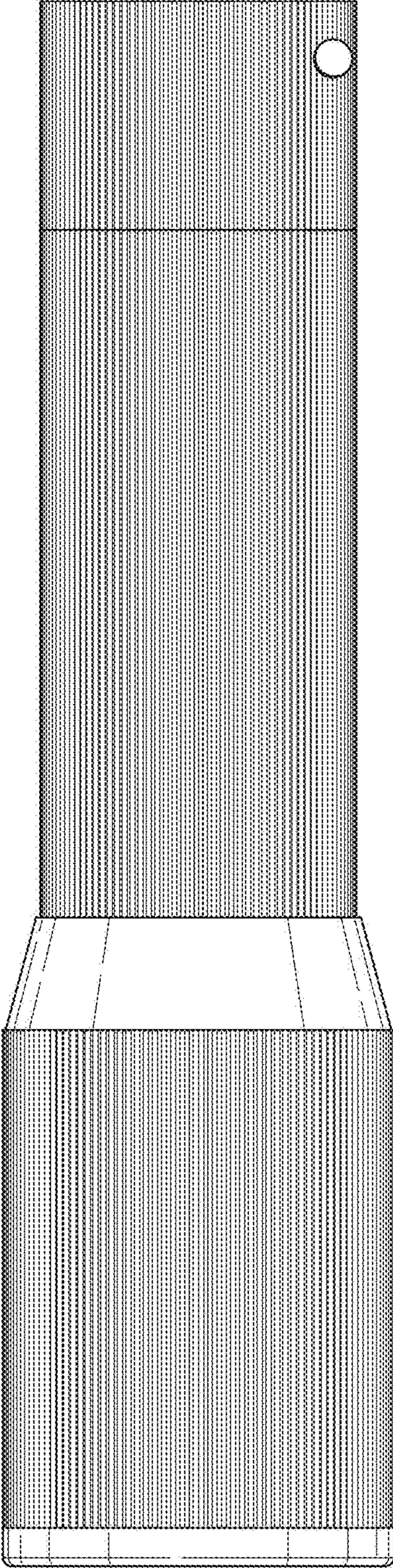


FIG. 5

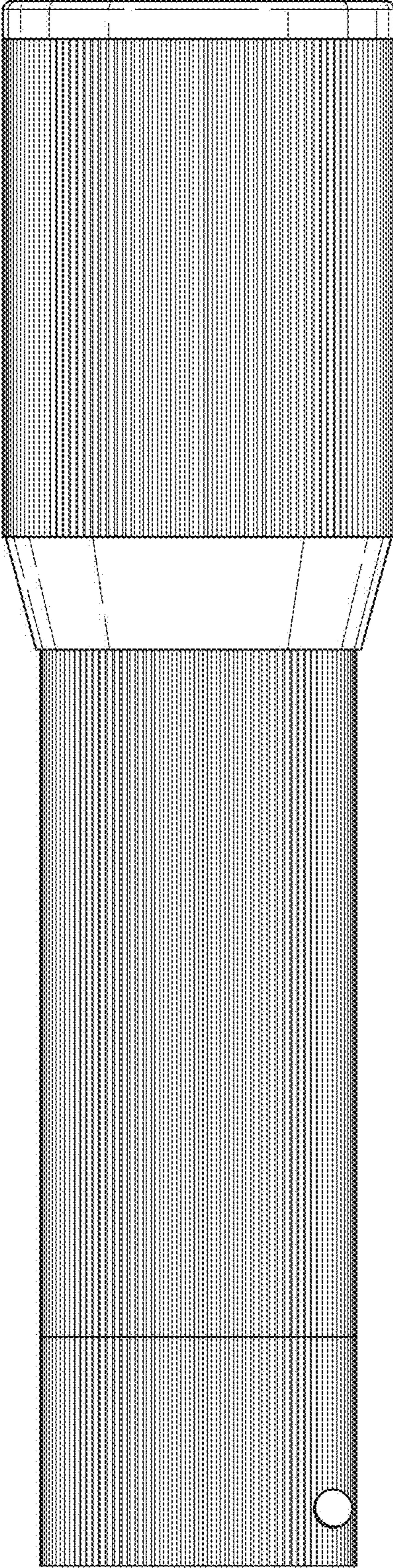


FIG. 6

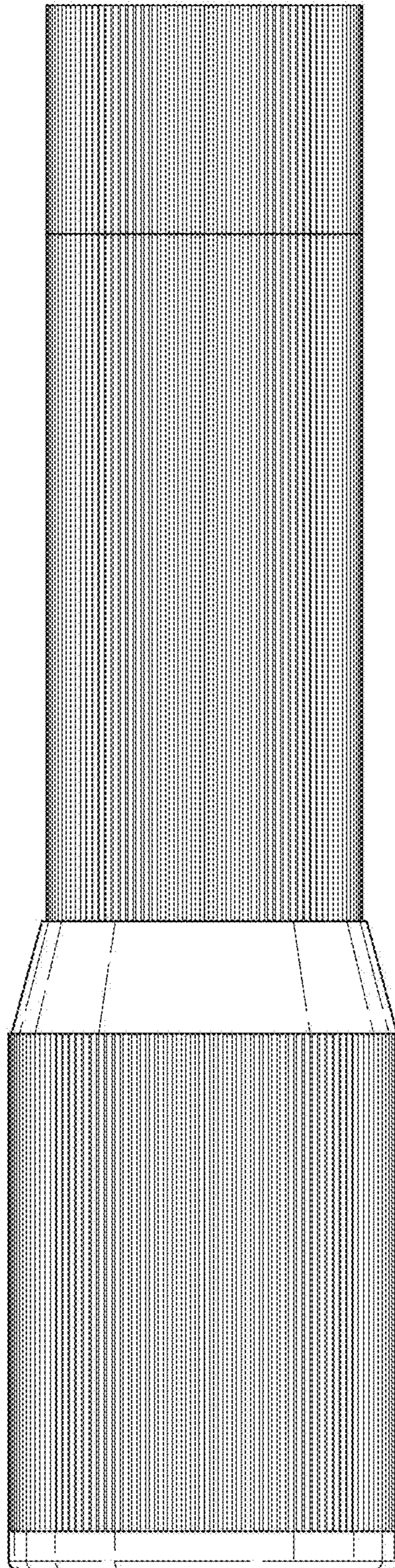


FIG. 7



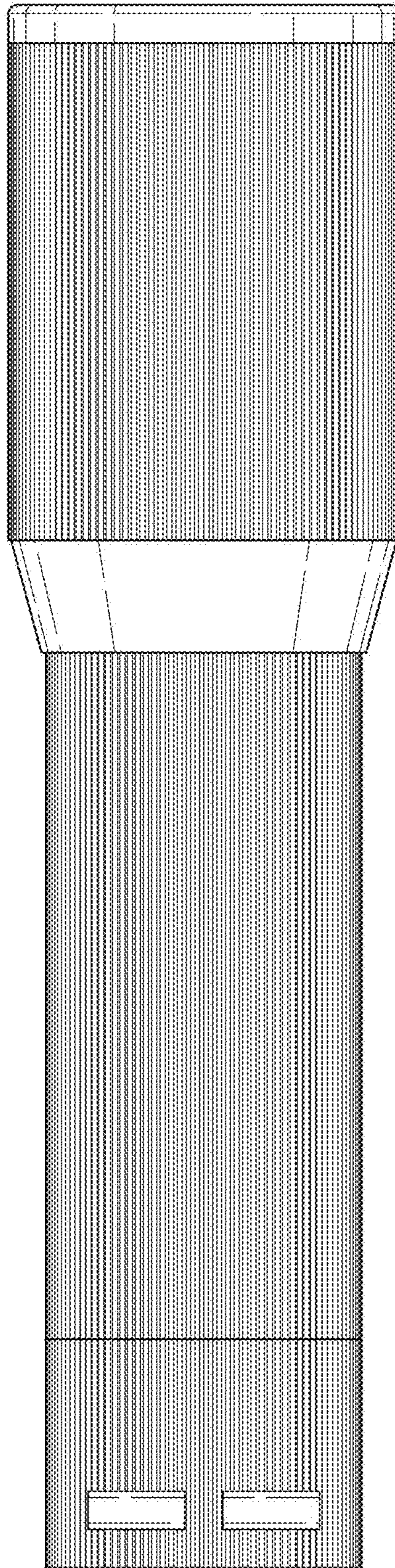


FIG. 8

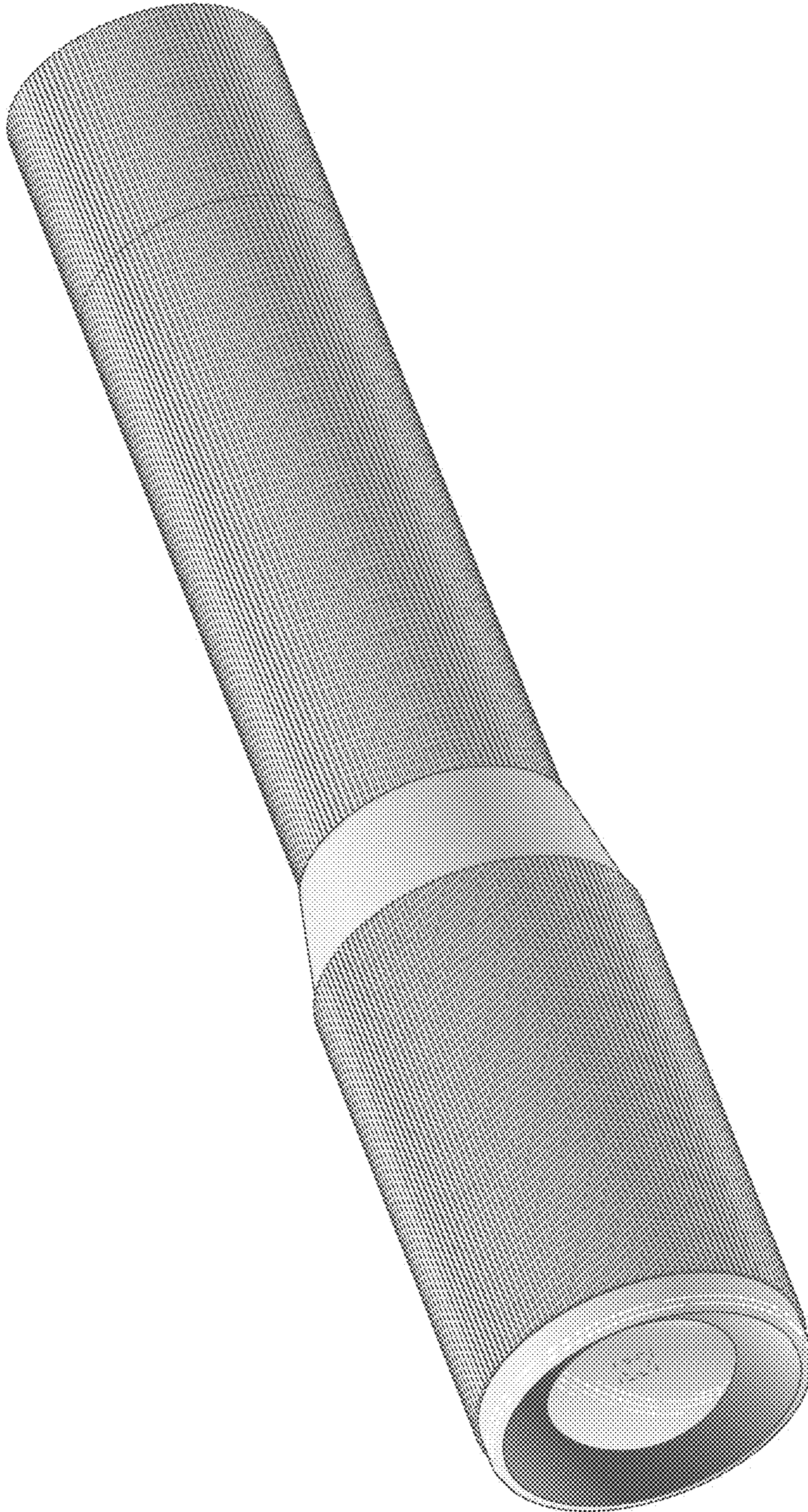


FIG. 9

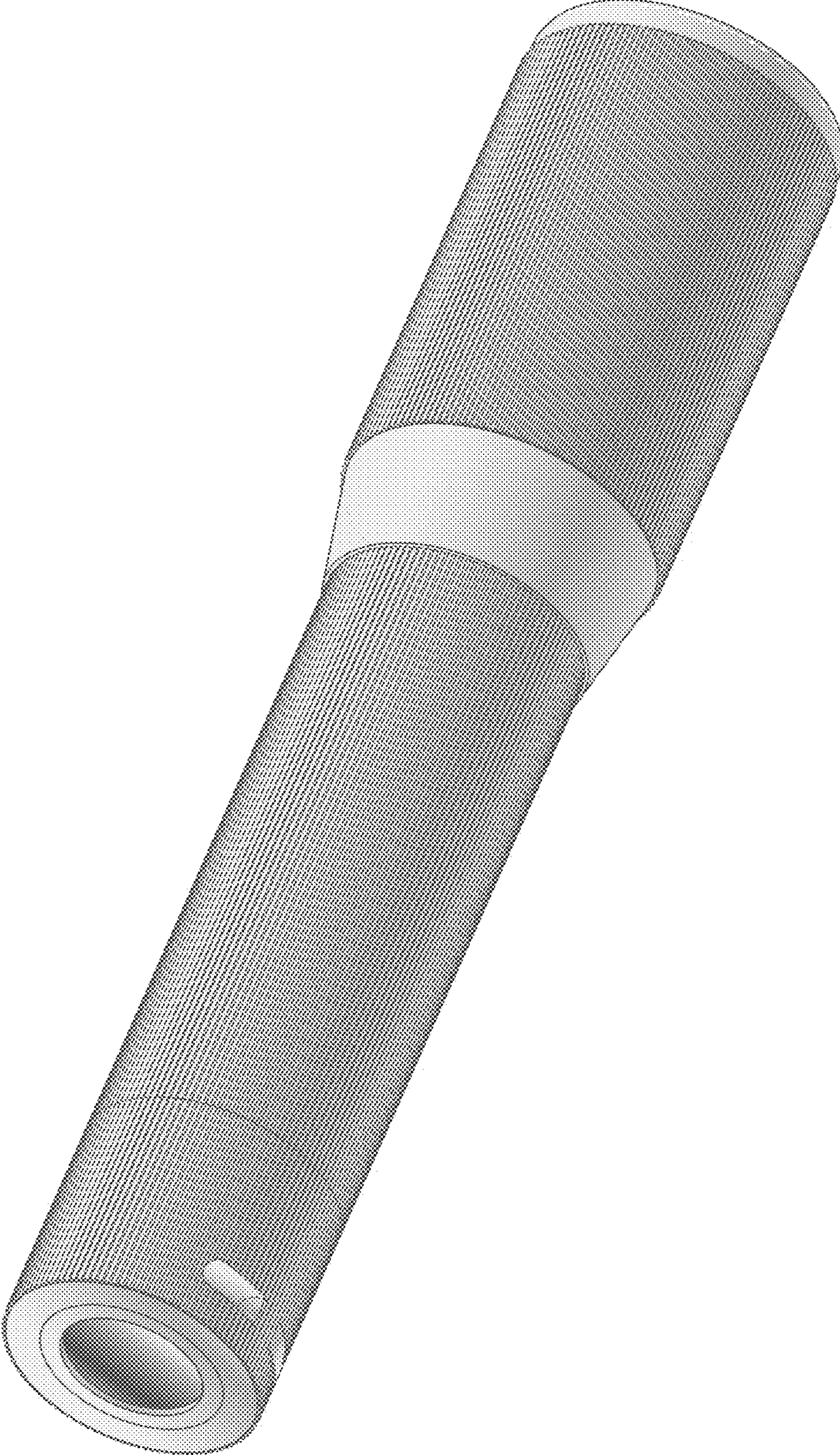


FIG. 10

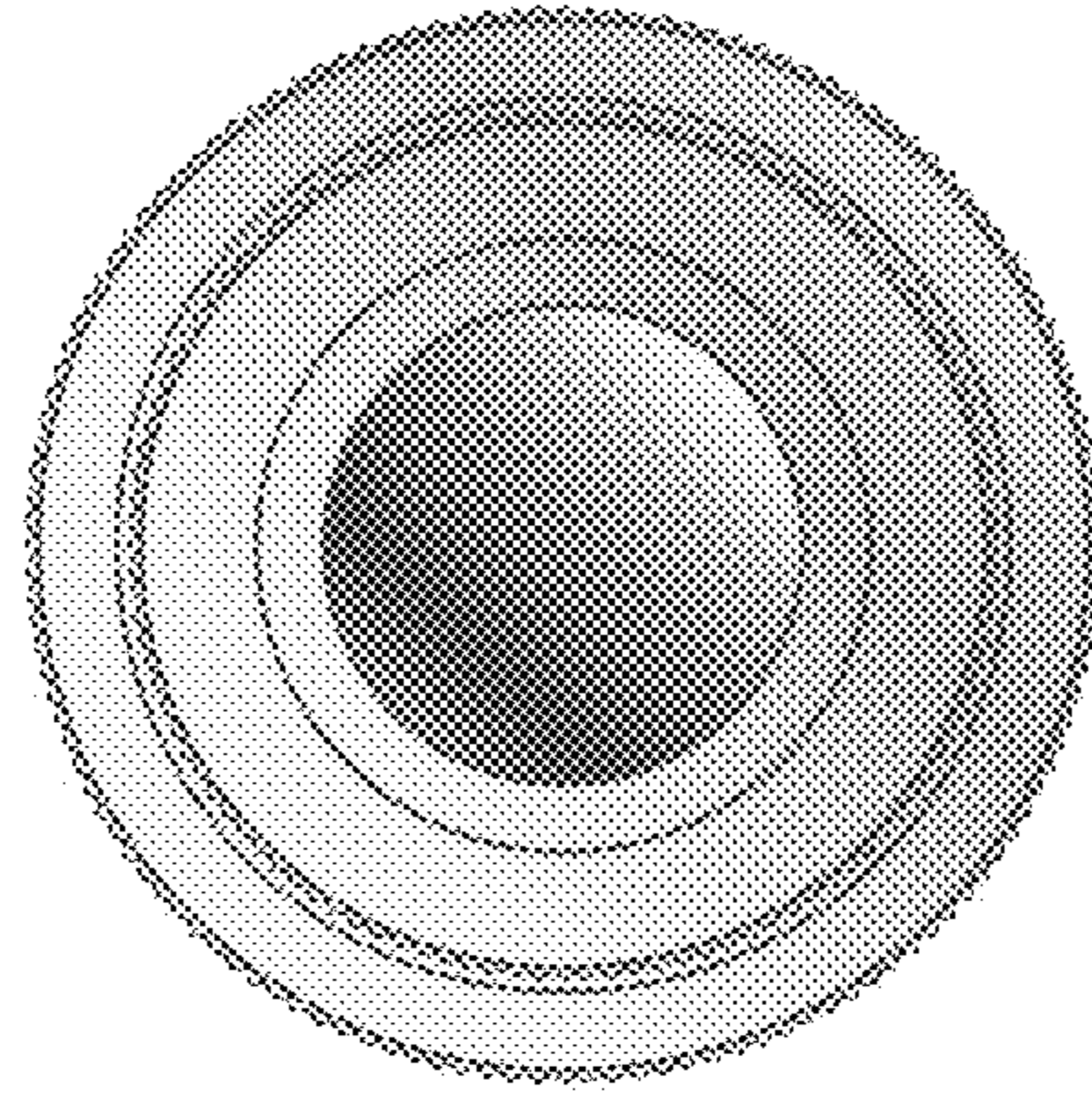


FIG. 12

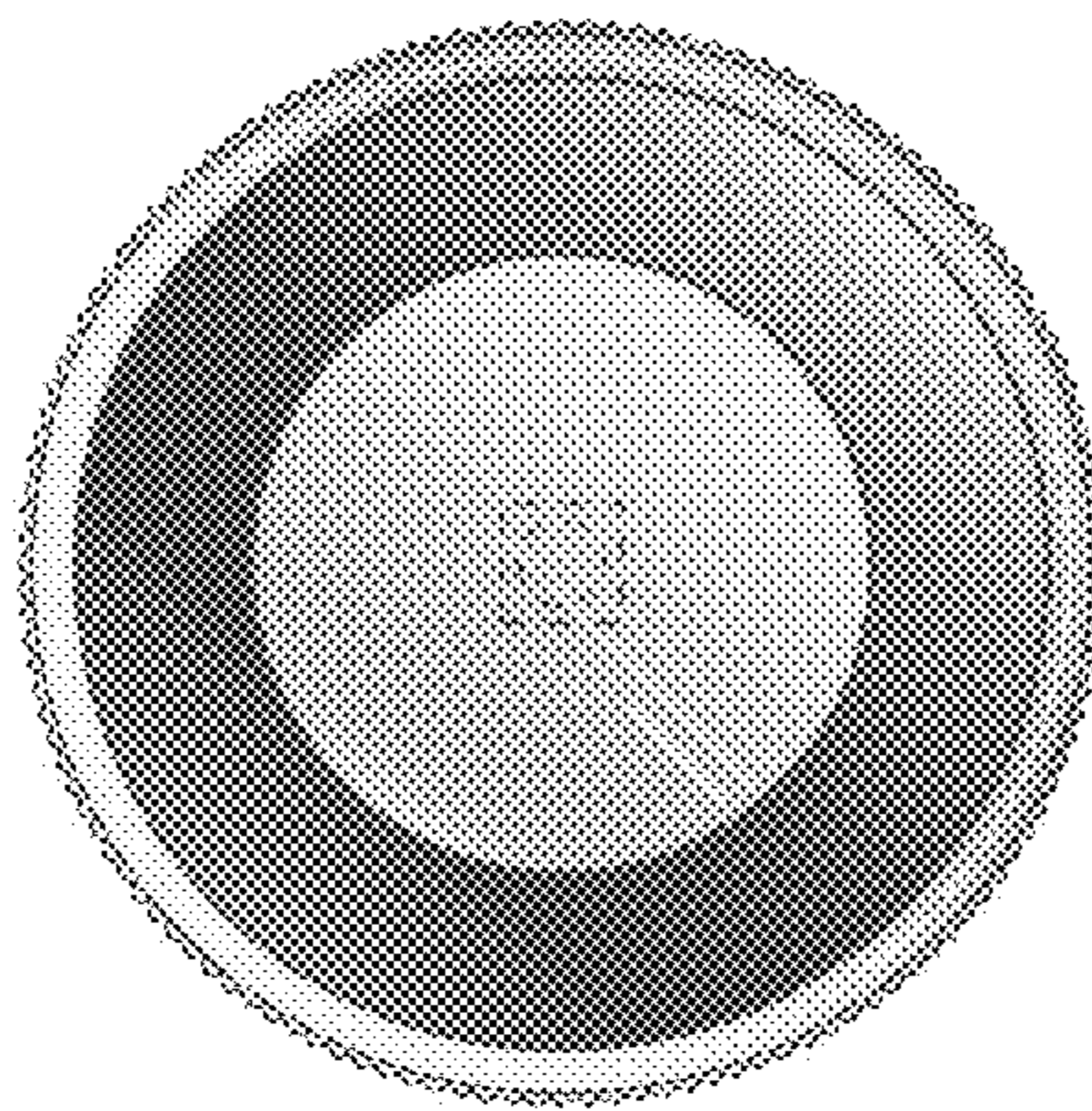


FIG. 11

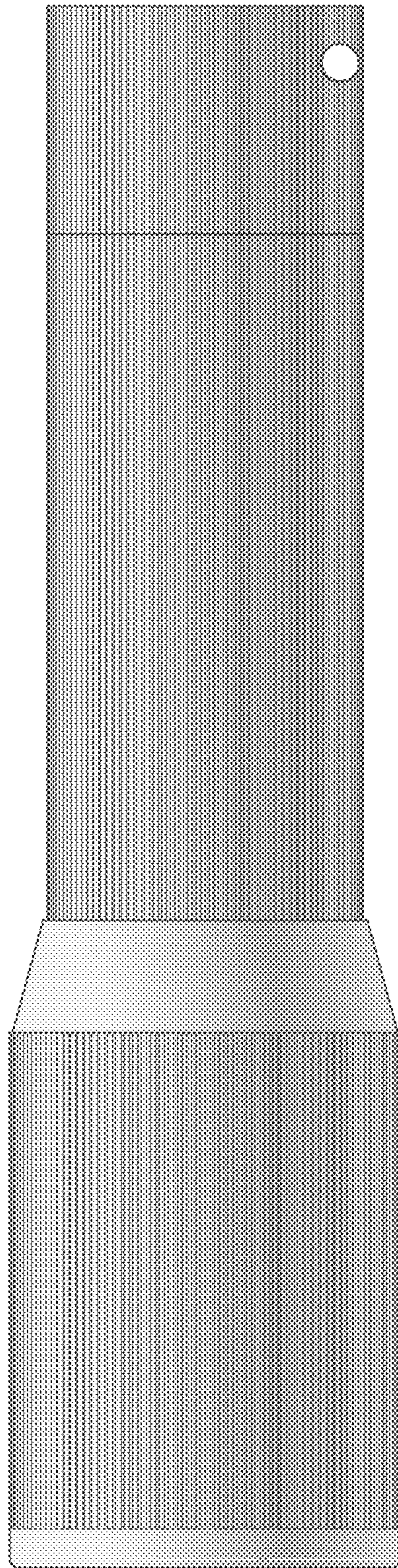


FIG. 13

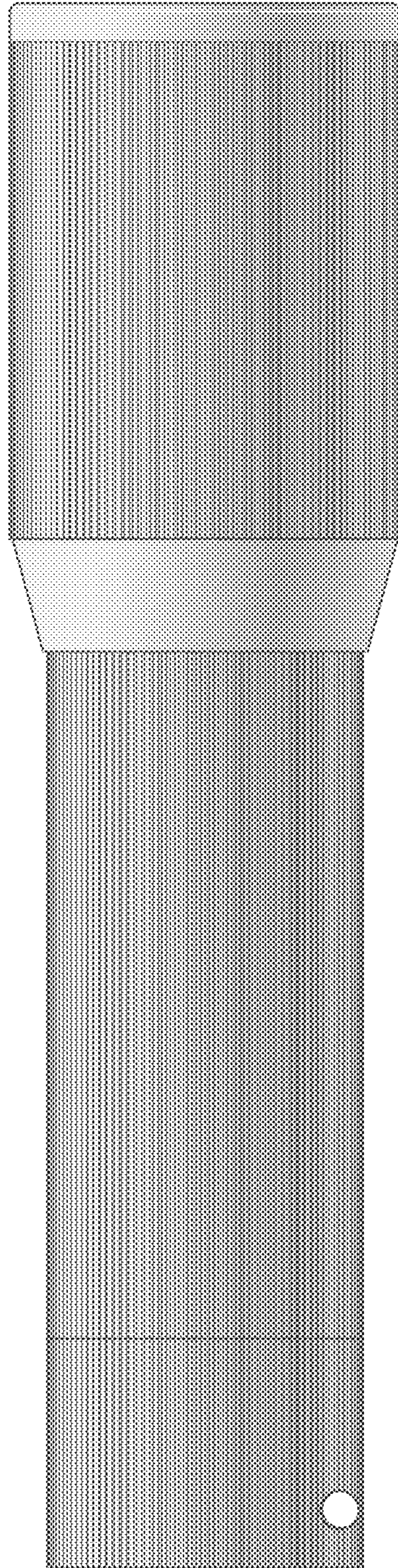


FIG. 14

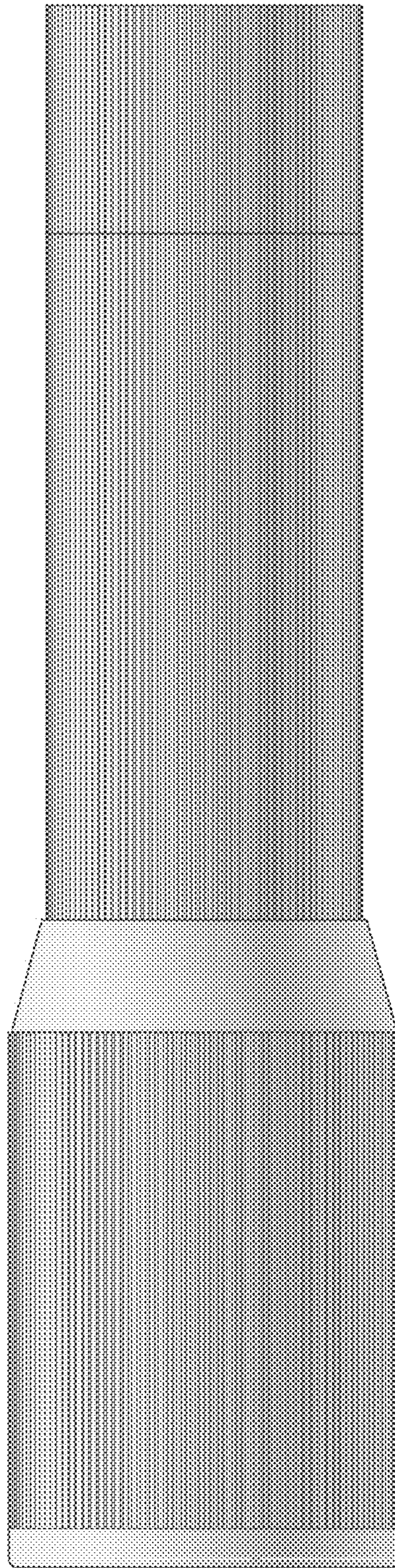


FIG. 15

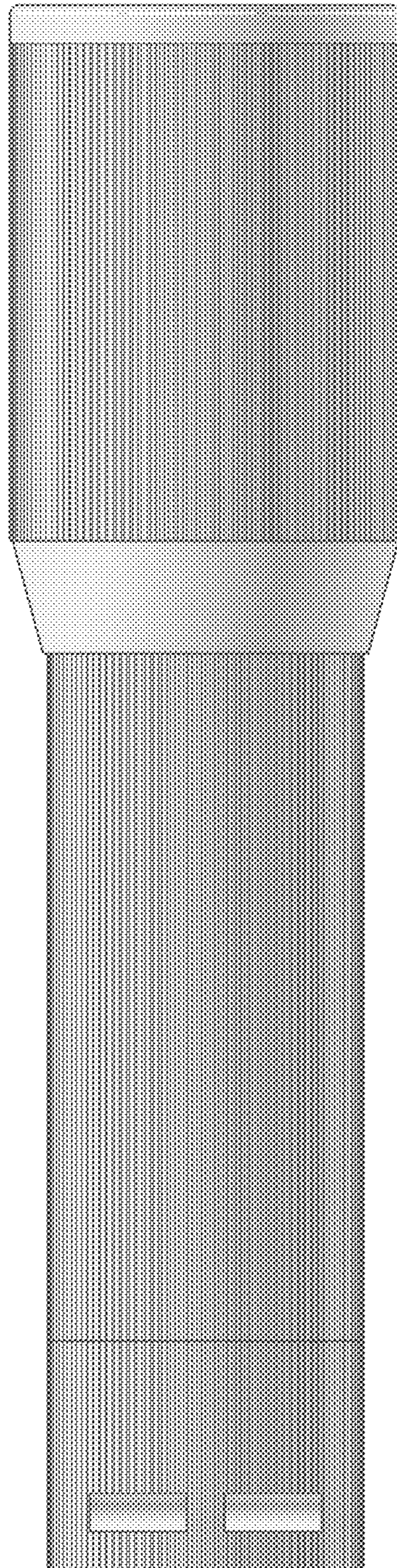


FIG. 16