



US00D945035S

(12) **United States Design Patent**  
**Zeng**

(10) **Patent No.:** **US D945,035 S**  
(45) **Date of Patent:** **\*\* Mar. 1, 2022**

(54) **FLASHLIGHT**

(71) Applicant: **Shenzhen Vansky Network Technology Co., Ltd.**, Guangdong (CN)

(72) Inventor: **Xiangang Zeng**, Guangdong (CN)

(\*\*) Term: **15 Years**

(21) Appl. No.: **29/735,110**

(22) Filed: **May 18, 2020**

(51) **LOC (13) Cl.** ..... **26-02**

(52) **U.S. Cl.**  
USPC ..... **D26/46**

(58) **Field of Classification Search**

USPC ..... D26/24, 37-51, 113  
CPC ..... F21Y 2115/10; F21Y 2113/13; F21Y 2101/00; F21Y 2103/10; F21Y 2107/40; F21Y 2105/10; F21Y 2105/18; F21Y 2113/00; F21Y 2113/10; F21Y 2113/17; F21Y 2113/20; F21L 4/005; F21L 4/027; F21L 4/085; F21L 4/08; F21L 4/045; F21L 4/00; F21L 4/02; F21L 4/022; F21L 4/04; F21L 4/025; F21L 13/00; F21L 14/02; F21L 2/00; F21V 23/0414; F21V 23/0428; F21V 23/0421; F21V 21/0965; F21V 15/01; F21V 21/0885; F21V 21/406; F21V 23/0407; F21V 23/06; F21V 33/0064; F21V 33/0084; F21V 14/025; F21V 23/04; F21V 14/065; F21V 21/084; F21V 23/003; F21V 5/006; F21V 5/04; F21V 21/08; F21V 23/0435; F21V 23/0464; F21V 31/00; F21V 31/005; F21V 33/0076; F21V 33/008; F21V 7/0075; F21V 14/045; F21V 15/012; F21V 17/12; F21V 19/02; F21V 21/0816; F21V 21/0925; F21V 21/30; F21V 23/0471; F21V 3/00; F21V 13/045; F21V 17/10; F21V 21/096; F21V 21/145; F21V 23/023; F21V 23/0442; F21V 29/70; F21V 33/0068; F21V 9/083; F21V 9/20;

F21V 11/08; F21V 13/14; F21V 14/04; F21V 14/06; F21V 14/085; F21V 15/00; F21V 17/002; F21V

(Continued)

(56) **References Cited**

**U.S. PATENT DOCUMENTS**

D504,530 S \* 4/2005 Shiu ..... D26/37  
D521,166 S \* 5/2006 Yamamoto ..... D26/37

(Continued)

**FOREIGN PATENT DOCUMENTS**

CN 202030512789.5 \* 12/2020  
JP D2012-339 \* 9/2012

**OTHER PUBLICATIONS**

UV Flashlight Black Light. By Vansky. Dated Jan. 4, 2016. Found online [Oct. 20, 2021]. <https://www.amazon.com/Flashlight-Vansky-Ultraviolet-Blacklight-Eliminator/dp/B01A5KLUG2/> (Year: 2016).\*

(Continued)

*Primary Examiner* — Marissa J Cash

*Assistant Examiner* — William B Melliar

(74) *Attorney, Agent, or Firm* — Prakash Nama; Global IP Services, PLLC

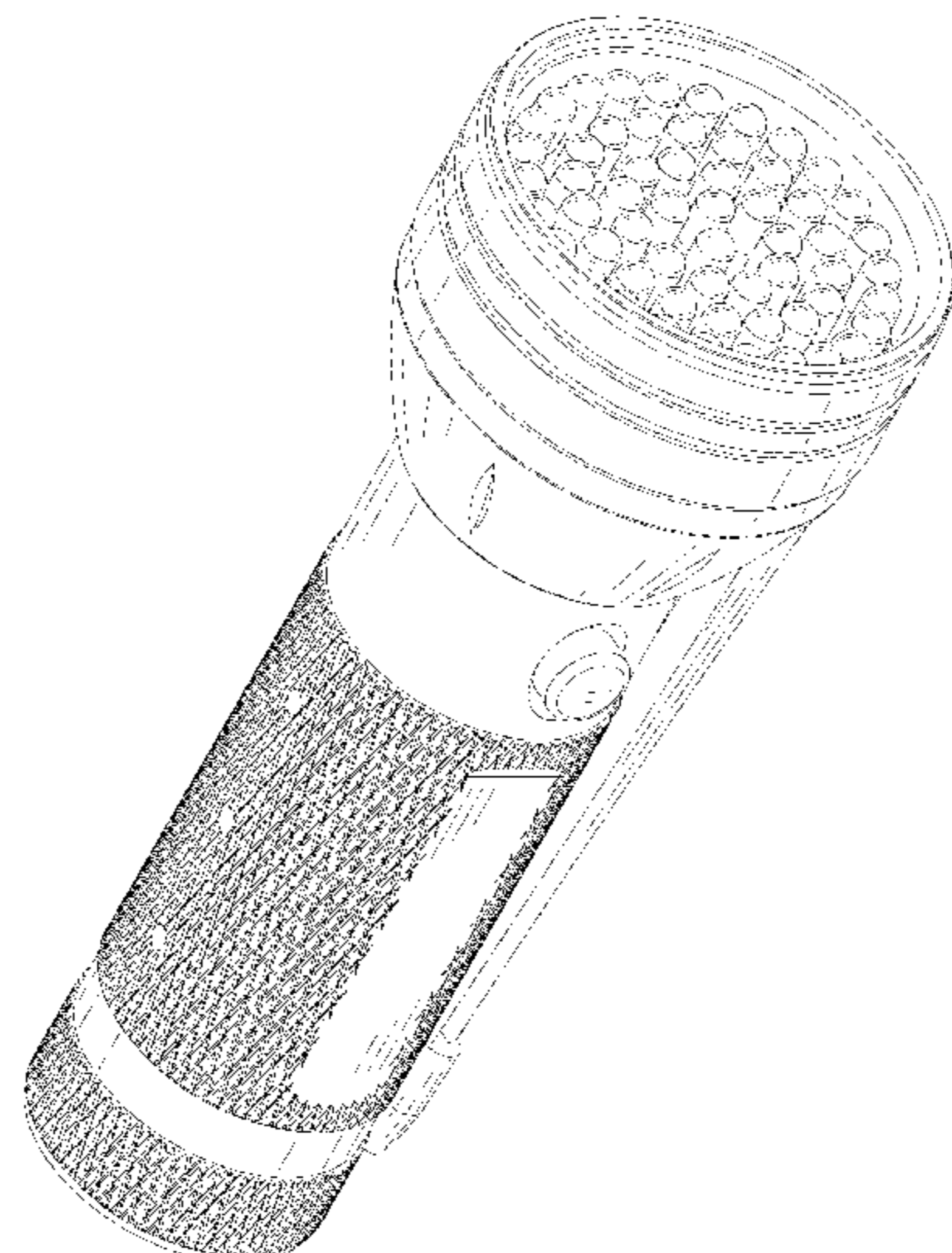
(57) **CLAIM**

The ornamental design for a flashlight, as shown.

**DESCRIPTION**

FIG. 1 is a front elevational view of a flashlight showing my new design;  
FIG. 2 is a right side view thereof;  
FIG. 3 is a left side view thereof;  
FIG. 4 is a bottom plan view thereof;  
FIG. 5 is a top plan view thereof;  
FIG. 6 is a perspective view thereof; and,  
FIG. 7 is another perspective view thereof.

**1 Claim, 6 Drawing Sheets**



**(58) Field of Classification Search**

CPC ..... 17/02; F21V 17/06; F21V 17/105; F21V 17/107; F21V 19/001; F21V 19/047; F21V 21/00; F21V 21/002; F21V 21/06; F21V 21/14; F21V 21/22; F21V 21/26; F21V 21/32; F21V 23/001; F21V 23/002; F21V 23/005; F21V 23/02; F21V 23/045; F21V 23/0492; F21V 25/04; F21V 29/15; F21V 29/503; F21V 29/508; F21V 29/713; F21V 29/763; F21V 29/767; F21V 29/89; F21V 29/90; F21V 33/00; F21V 33/0004; F21V 33/0036; F21V 33/0052; F21V 3/02; F21V 5/00; F21V 5/008; F21V 5/046; F21V 5/048; F21V 5/08; F21V 7/00; F21V 7/0008; F21V 7/0083; F21V 7/0091; F21V 7/04; F21V 7/041; F21V 7/06; F21V 7/22; F21V 7/24; F41G 1/35; F41G 11/003; F41G 1/34; F41G 1/345; F41G 11/001; F41G 1/36; F41G 3/2655; B25F 1/04

See application file for complete search history.

**(56)**

**References Cited**

U.S. PATENT DOCUMENTS

D525,733	S	*	7/2006	Shiao	.....	D26/37
D557,836	S	*	12/2007	Shiu	.....	D26/37
D629,546	S	*	12/2010	Deguglimo	.....	D26/49
D685,940	S	*	7/2013	Lee	.....	D26/49
D736,975	S	*	8/2015	Tang	.....	D26/38
D783,193	S	*	4/2017	Kao	.....	D26/49
D884,943	S	*	5/2020	Petrucelli	.....	D26/38
D891,660	S	*	7/2020	Shi	.....	D26/37
D900,368	S	*	10/2020	Petrucelli	.....	D26/49
D922,641	S	*	6/2021	Hu	.....	D26/49

OTHER PUBLICATIONS

MVP Disc Sports Eclipse UV Flashlight. By MVP Disc Sports. Dated Jun. 23, 2021. Found online [Oct. 21, 2021]. [https://www.amazon.com/MVP-Disc-Sports-Flashlight-Charging/dp/B097S55R43/ref=sr\\_1\\_49?crd=3CCBH6FRRGI8I&dchild=1&keywords=uv+flashlight&qid=1634817387&sprefix=uv+f%2Caps%2C203&sr=8-49](https://www.amazon.com/MVP-Disc-Sports-Flashlight-Charging/dp/B097S55R43/ref=sr_1_49?crd=3CCBH6FRRGI8I&dchild=1&keywords=uv+flashlight&qid=1634817387&sprefix=uv+f%2Caps%2C203&sr=8-49) (Year: 2021).\*

\* cited by examiner

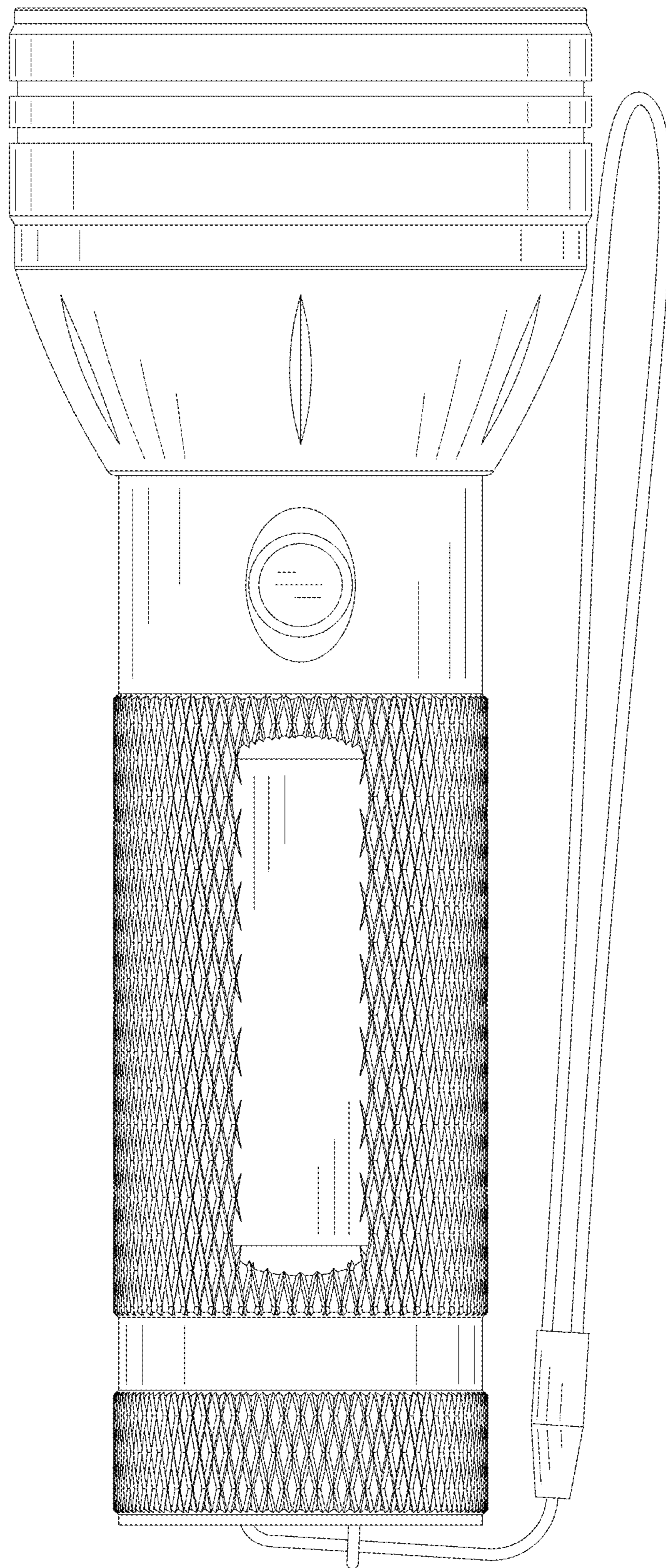


FIG. 1

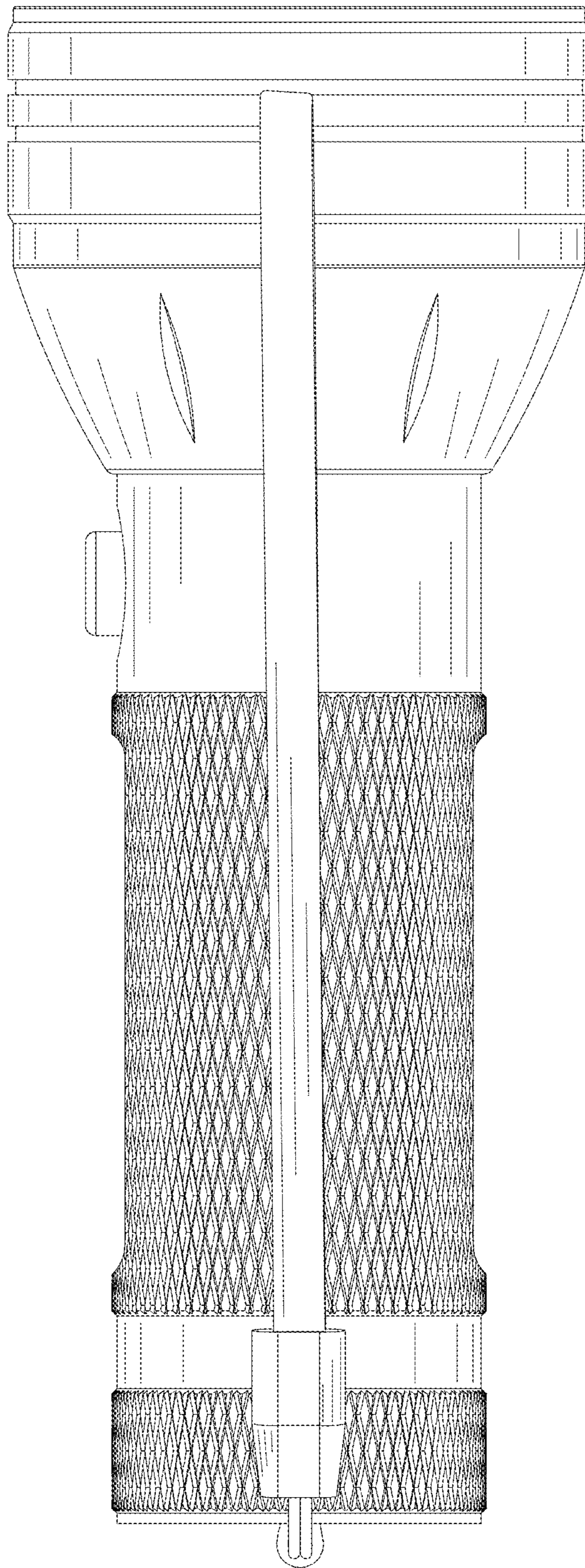


FIG. 2

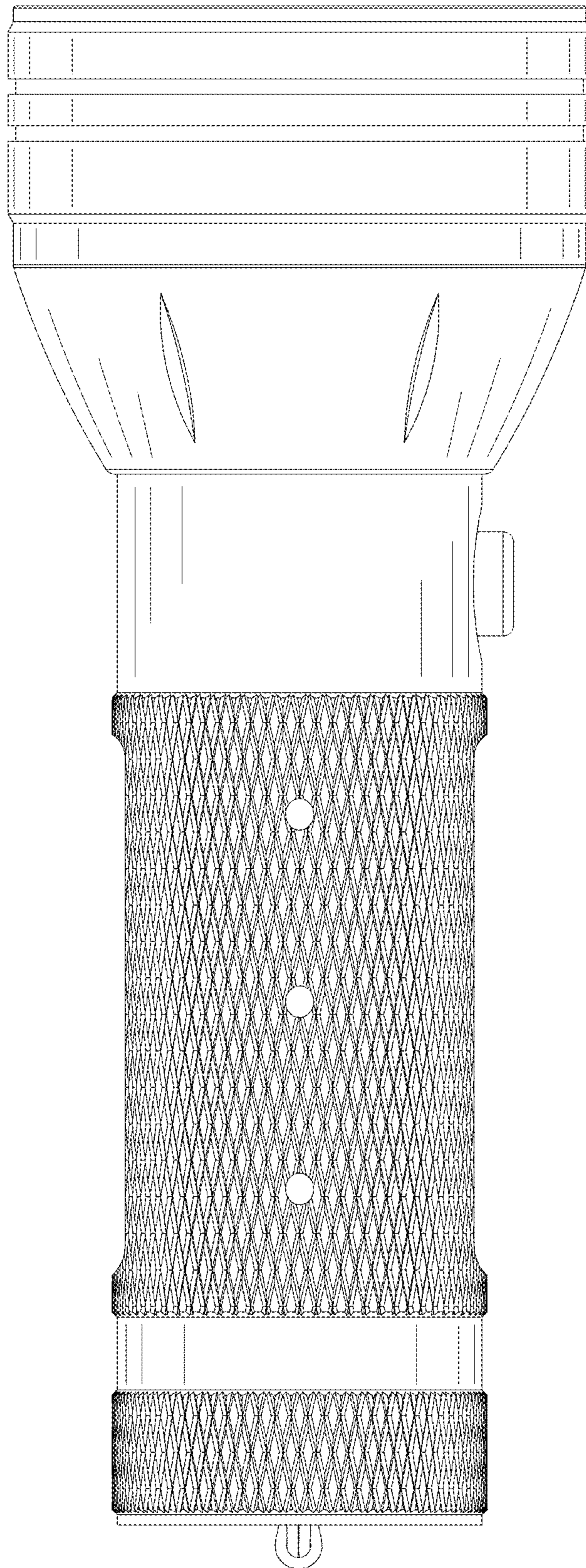


FIG. 3

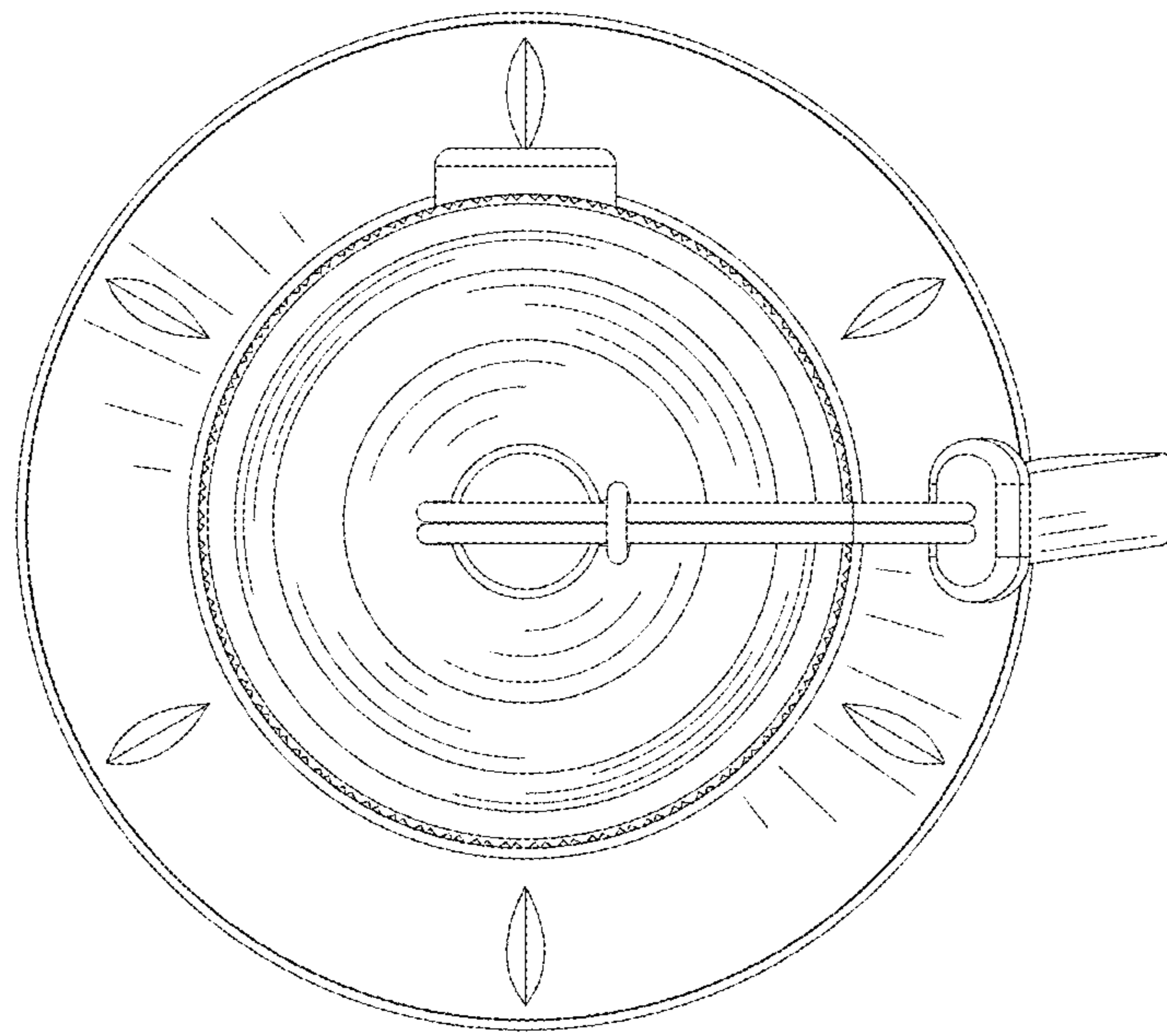


FIG. 4

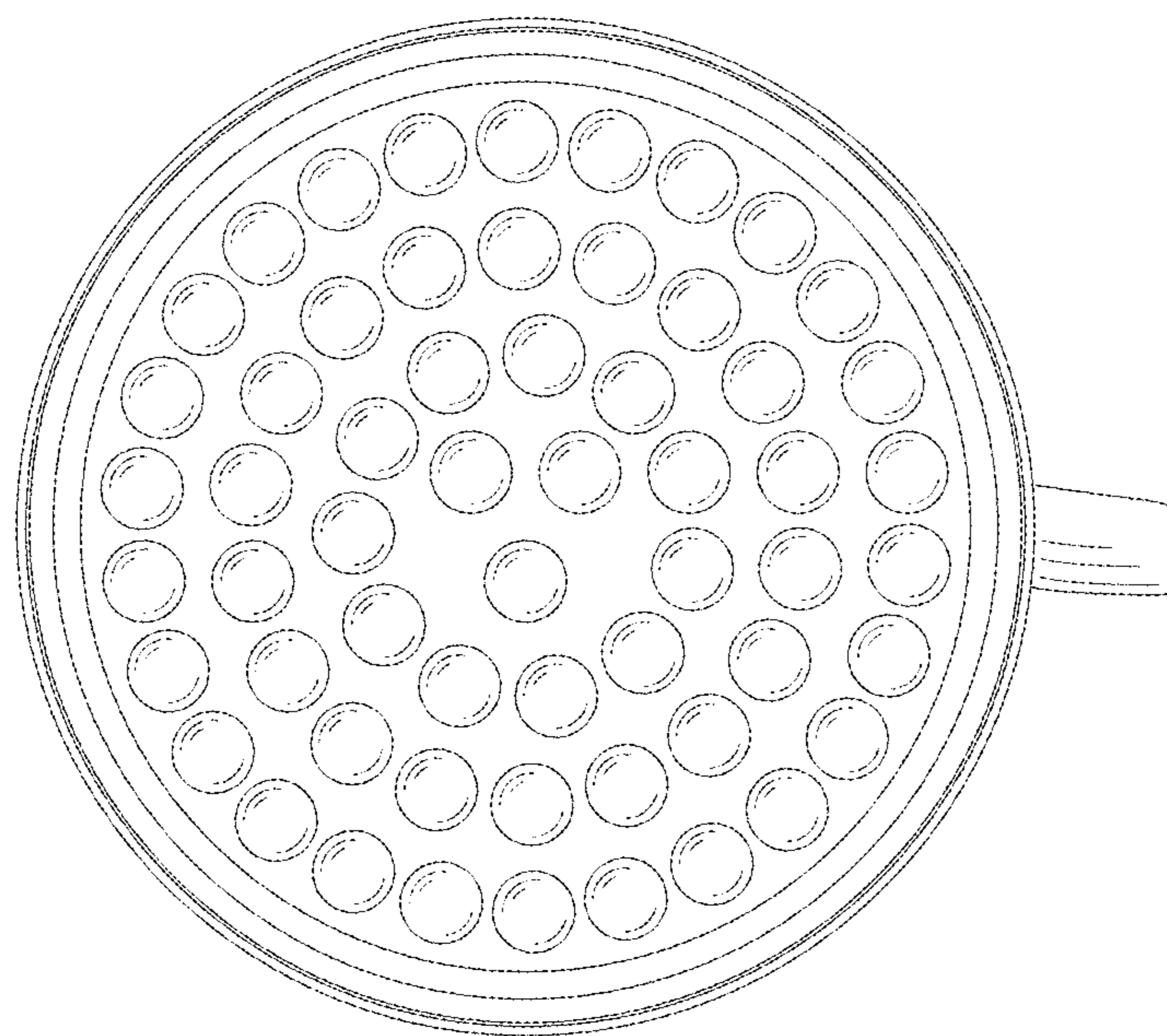


FIG. 5

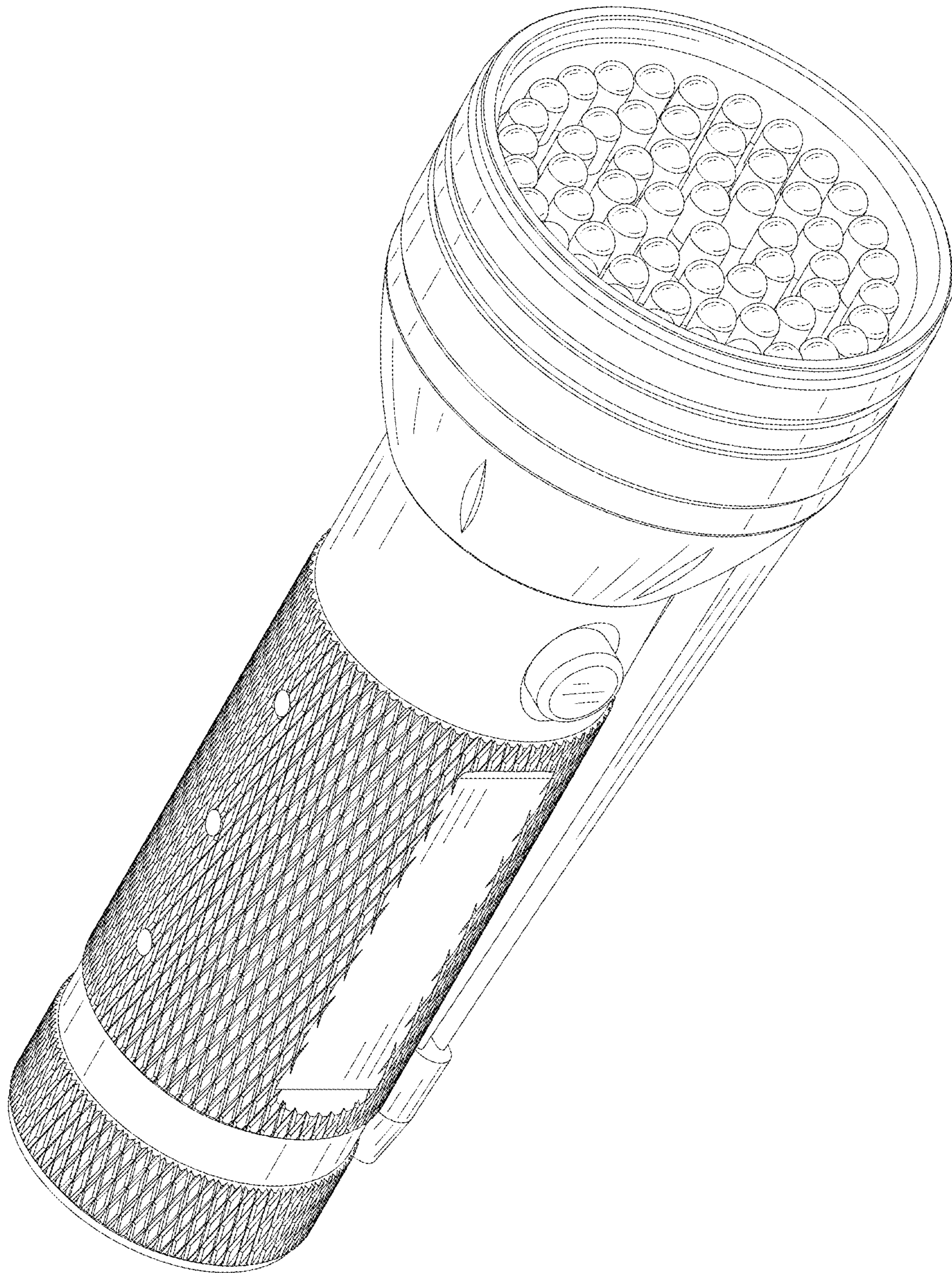


FIG. 6

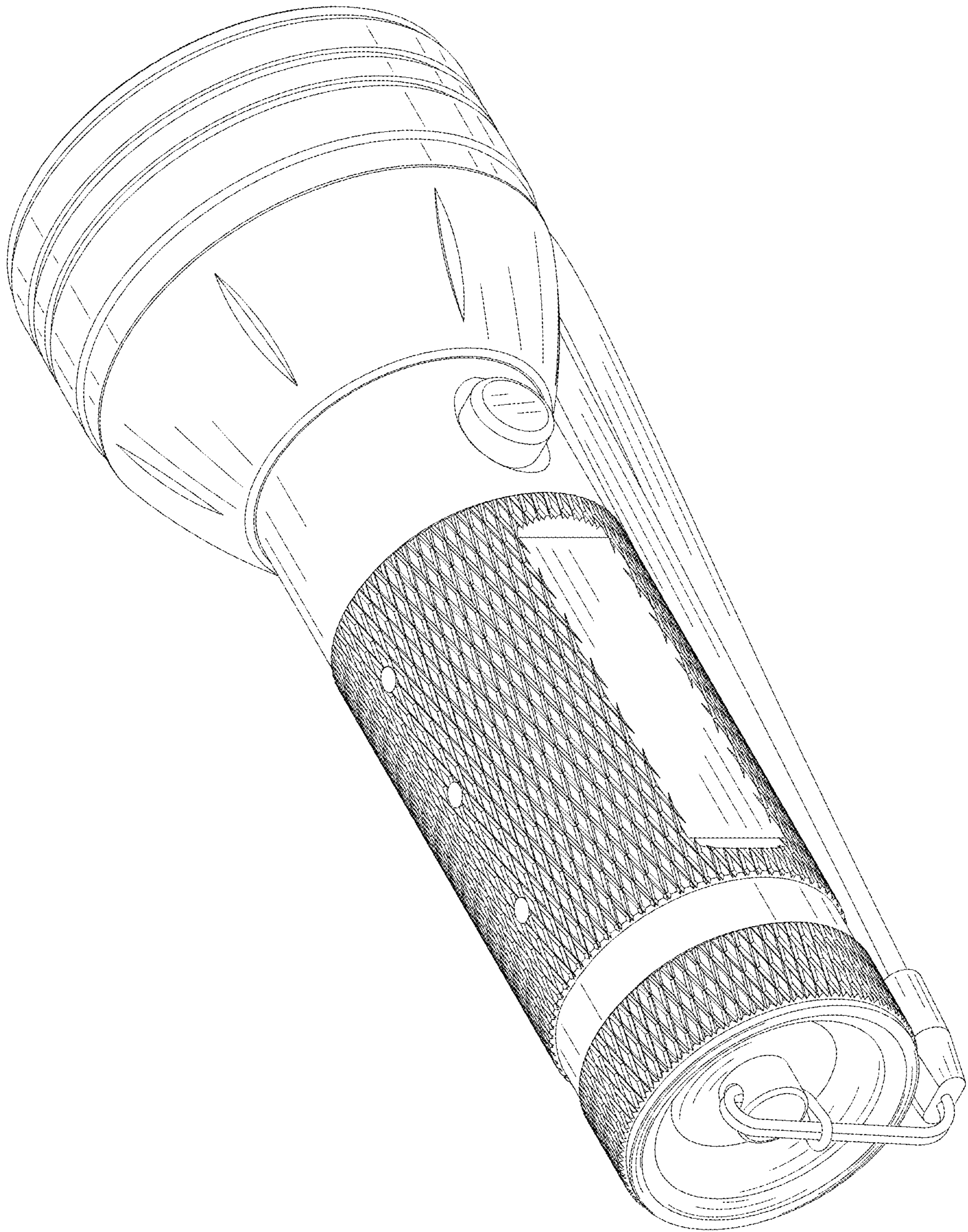


FIG. 7