



US00D945033S

(12) **United States Design Patent**  
**Jiang**

(10) **Patent No.:** **US D945,033 S**  
(45) **Date of Patent:** **\*\* Mar. 1, 2022**

(54) **LED LIGHT**

(71) Applicant: **Jiangsu Yoen Electric Technology Co., Ltd.**, Yancheng (CN)

(72) Inventor: **Shouyong Jiang**, Yancheng (CN)

(73) Assignee: **Jiangsu Yoen Electric Technology Co., Ltd.**, Yancheng (CN)

(\*\*) Term: **15 Years**

(21) Appl. No.: **29/740,527**

(22) Filed: **Jul. 6, 2020**

(30) **Foreign Application Priority Data**

Mar. 5, 2020 (CN) ..... 202030071319.X

(51) **LOC (13) Cl.** ..... **26-02**

(52) **U.S. Cl.**  
USPC ..... **D26/39**

(58) **Field of Classification Search**  
USPC ..... D26/24, 37-52, 60-61, 113, 118  
CPC ..... F21Y 2115/10; F21Y 2113/13; F21Y 2115/30; F21Y 2113/10; F21Y 2103/10; F21Y 2105/10; F21Y 2105/12; F21Y 2107/70; F21Y 2113/17; F21Y 2113/20; F21Y 2115/00; F21V 21/084; F21V 15/01; F21V 23/002; F21V 23/0414; F21V 23/0492; F21V 21/0816; F21V 21/096; F21V 21/0965; F21V 21/145; F21V 21/30; F21V 23/003; F21V 23/0471; F21V 5/04; F21V 14/06; F21V 17/02; F21V 23/023; F21V 23/0442; F21V 14/025; F21V 14/04; F21V 17/007; F21V 17/06; F21V 17/105; F21V 17/12; F21V 21/002; F21V 21/0885; F21V 21/10; F21V 23/007; F21V 23/02; F21V 23/0428; F21V 23/0478; F21V

(Continued)

(56) **References Cited**

U.S. PATENT DOCUMENTS

D587,830 S \* 3/2009 Ma ..... D26/37  
D631,586 S \* 1/2011 Li ..... D26/37

(Continued)

FOREIGN PATENT DOCUMENTS

CN 201830081361 \* 8/2018

OTHER PUBLICATIONS

XPE COB . . . Portable Work Light. By Yiwu Qimu Lighting Electric Co. Dated Sep. 29, 2021. Found online [Sep. 29, 2021]. [https://www.alibaba.com/product-detail/XPE-COB-Movable-Strong-Purple-Light\\_1600337637909.html?spm=a2700.galleryofferlist.normal\\_offer.d\\_title.76014cffAeQmgr](https://www.alibaba.com/product-detail/XPE-COB-Movable-Strong-Purple-Light_1600337637909.html?spm=a2700.galleryofferlist.normal_offer.d_title.76014cffAeQmgr) (Year: 2021).\*

(Continued)

*Primary Examiner* — Marissa J Cash  
*Assistant Examiner* — William B Melliar  
(74) *Attorney, Agent, or Firm* — Bayramoglu Law Offices LLC

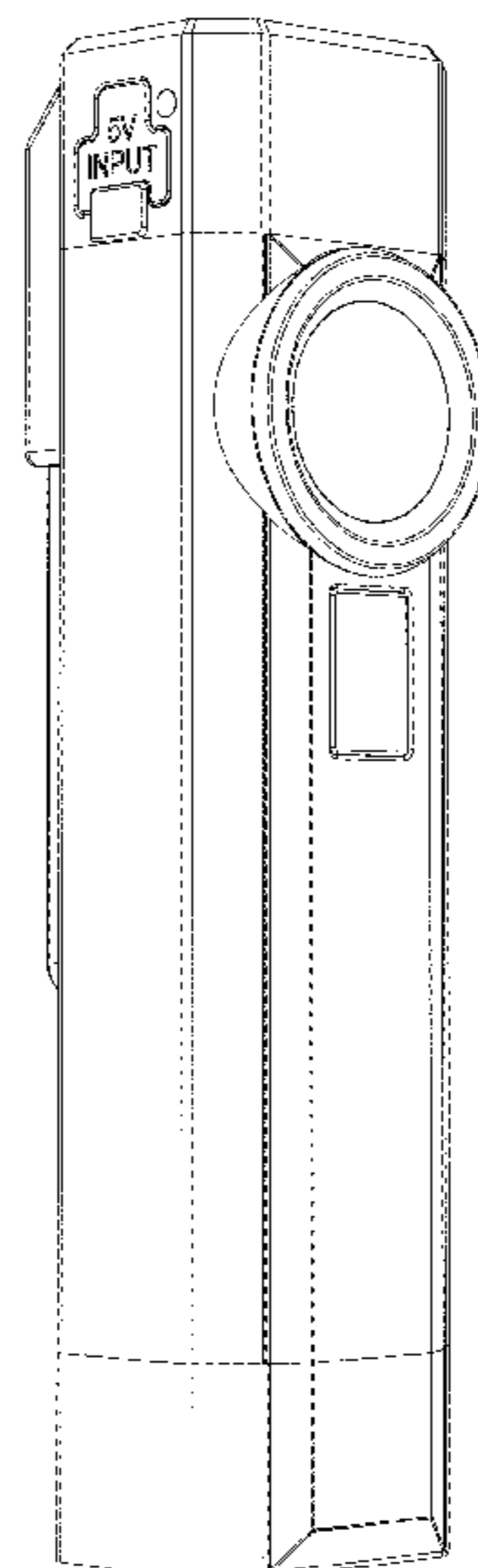
(57) **CLAIM**

The ornamental design for a LED light, as shown and described.

**DESCRIPTION**

FIG. 1 is a front view of a LED light showing my new design;  
FIG. 2 is a rear view thereof;  
FIG. 3 is a right side view thereof;  
FIG. 4 is a left side view thereof;  
FIG. 5 is a top view thereof;  
FIG. 6 is a bottom view thereof;  
FIG. 7 is a front and left perspective view thereof;  
FIG. 8 is a top, left and front perspective view thereof; and,  
FIG. 9 is a bottom, right and front perspective view thereof.  
The broken lines depict portions of the LED light that form no part of the claimed design.

**1 Claim, 9 Drawing Sheets**



(58) **Field of Classification Search**

CPC ..... 23/0485; F21V 23/06; F21V 29/15; F21V  
 29/502; F21V 29/56; F21V 29/58; F21V  
 29/59; F21V 29/70; F21V 29/76; F21V  
 29/77; F21V 33/0008; F21V 5/00; F21V  
 5/008; F21V 7/00

See application file for complete search history.

D898,245 S *	10/2020	Xu .....	D26/28
D921,248 S *	6/2021	Shang .....	D26/37
D925,081 S *	7/2021	Ke .....	D26/37
D928,369 S *	8/2021	Huang .....	D26/37
D930,201 S *	9/2021	Shang .....	D26/37
D930,865 S *	9/2021	Shang .....	D26/37
D930,866 S *	9/2021	Shang .....	D26/37

(56) **References Cited**

U.S. PATENT DOCUMENTS

D750,821 S *	3/2016	Rusay .....	D26/37
D754,377 S *	4/2016	Nook .....	D26/38
D779,092 S *	2/2017	Xu .....	D26/37
D867,178 S *	11/2019	Deng .....	D10/70
D874,043 S *	1/2020	Lee .....	D26/37
D875,285 S *	2/2020	Prieto .....	D26/37
D878,648 S *	3/2020	Zhao .....	D26/37
D890,396 S *	7/2020	Bertken .....	D26/37

OTHER PUBLICATIONS

Reraun Work Light. By Reraun. Dated Aug. 11, 2021. Found online [Sep. 29, 2021]. [https://www.amazon.com/Rechargeable-Flashlights-Indicator%EF%BC%8CHooks-Repairing-Backpacking/dp/B09CDGN6JZ/ref=sr\\_1\\_245?crd=7ZTJHBQMMUI0&dchild=1&keywords=work+light&qid=1632919799&srefix=work+li%2Caps%2C223&sr=8-245](https://www.amazon.com/Rechargeable-Flashlights-Indicator%EF%BC%8CHooks-Repairing-Backpacking/dp/B09CDGN6JZ/ref=sr_1_245?crd=7ZTJHBQMMUI0&dchild=1&keywords=work+light&qid=1632919799&srefix=work+li%2Caps%2C223&sr=8-245) (Year: 2021).\*

Slim Plus. By Nebo. Dated Jul. 3, 2019. Found online [Sep. 29, 2021]. [https://nebo.acgbrands.com/en\\_US/slim-plus.html](https://nebo.acgbrands.com/en_US/slim-plus.html) (Year: 2019).\*

\* cited by examiner

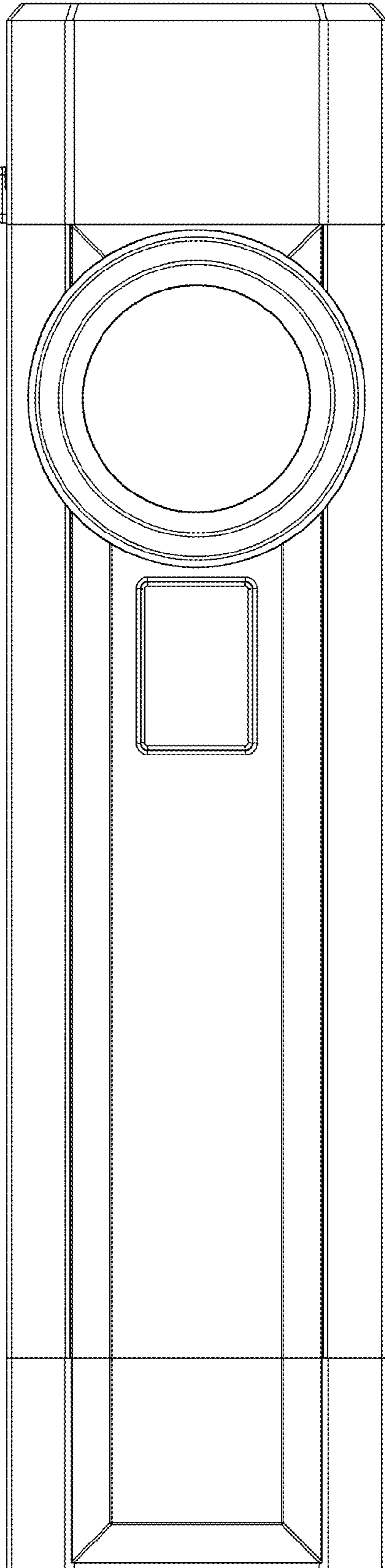


FIG. 1

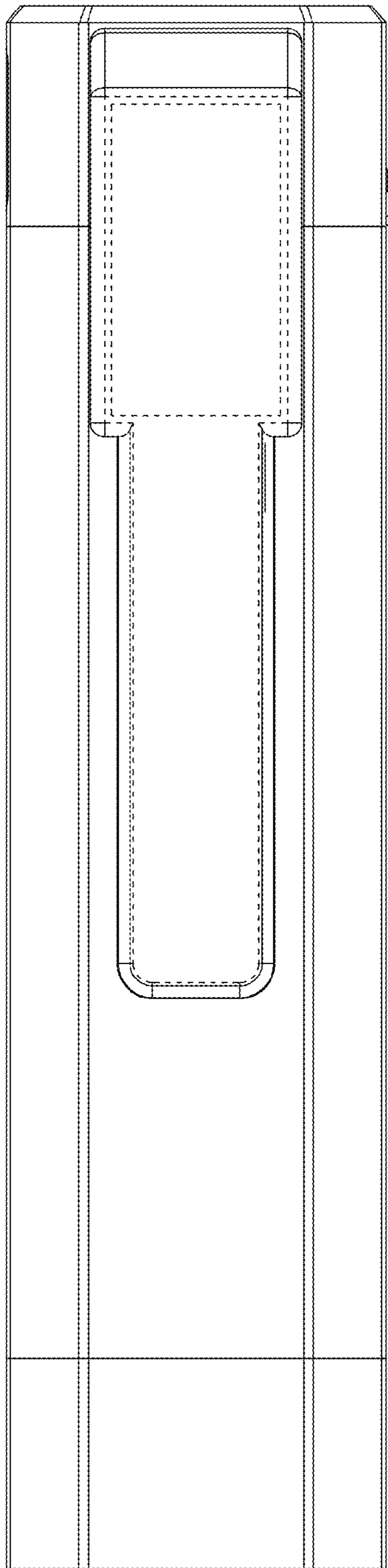


FIG. 2

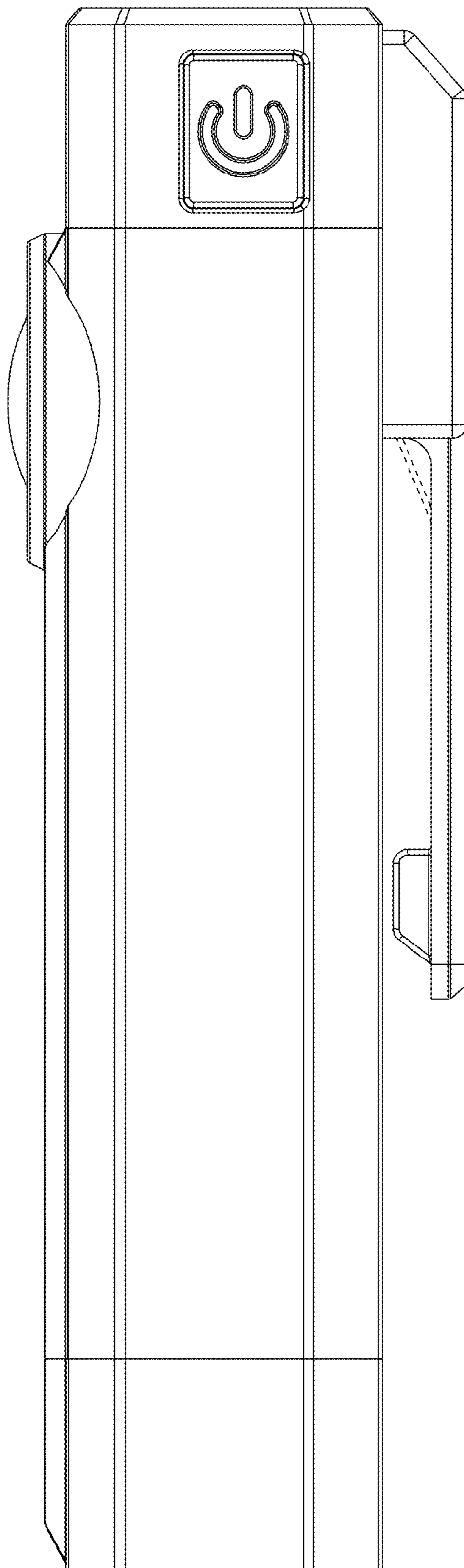


FIG. 3

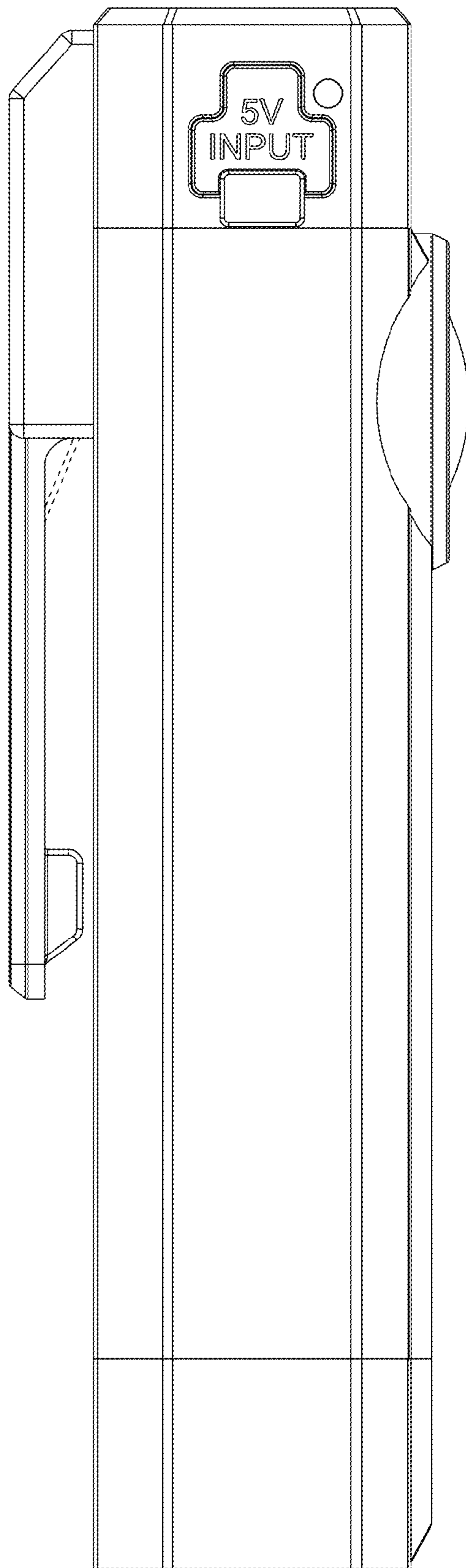


FIG. 4

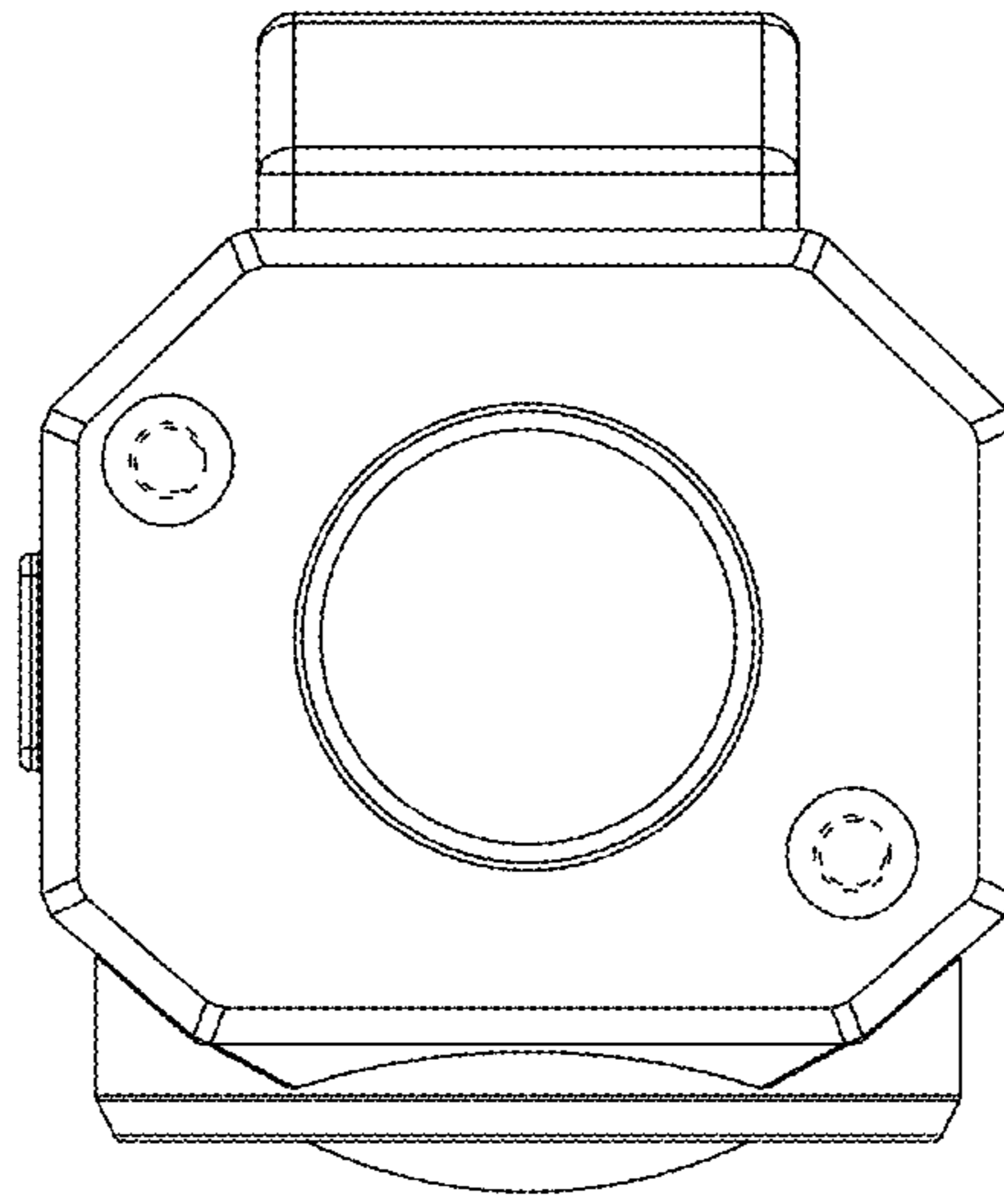


FIG. 5

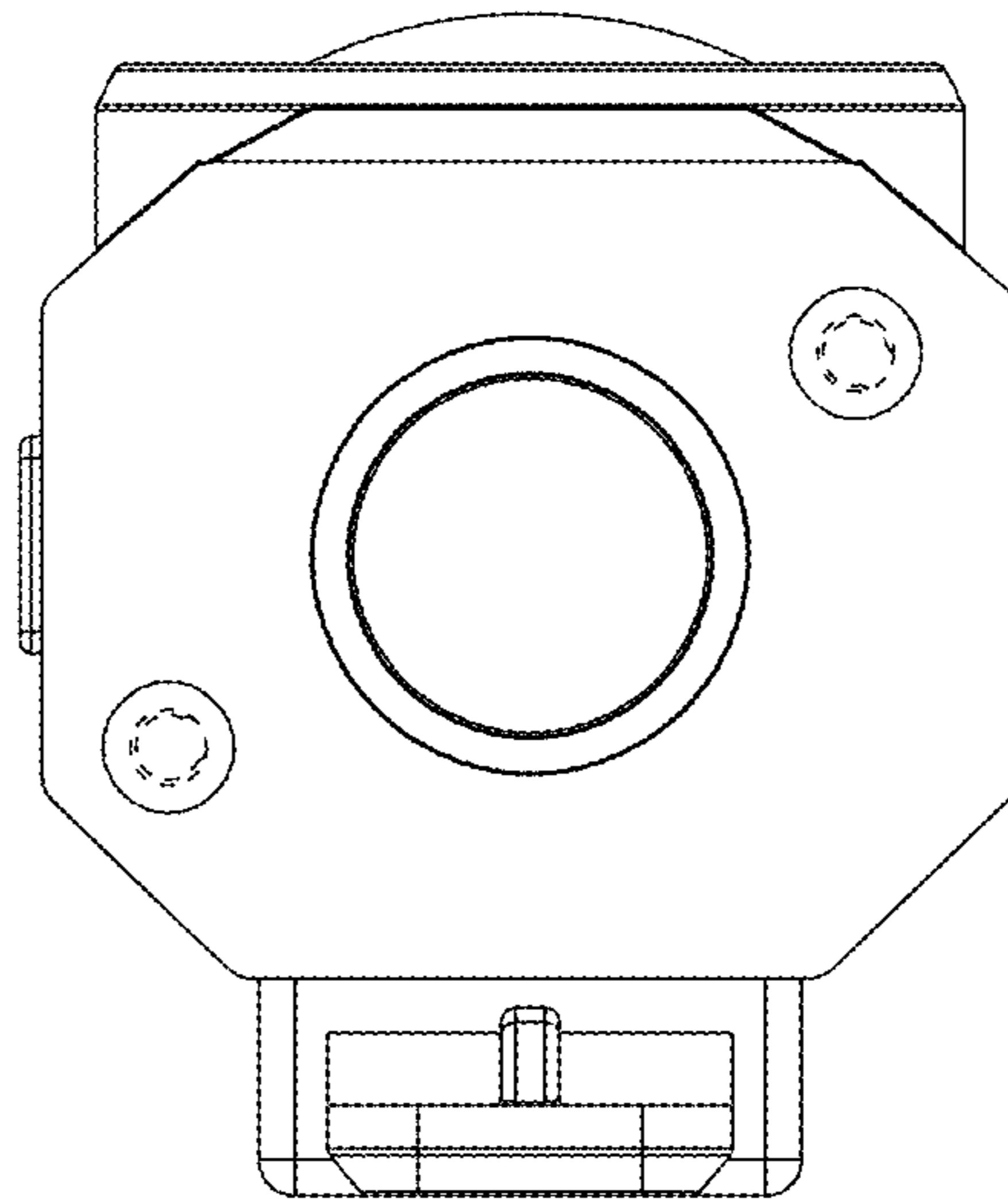


FIG. 6



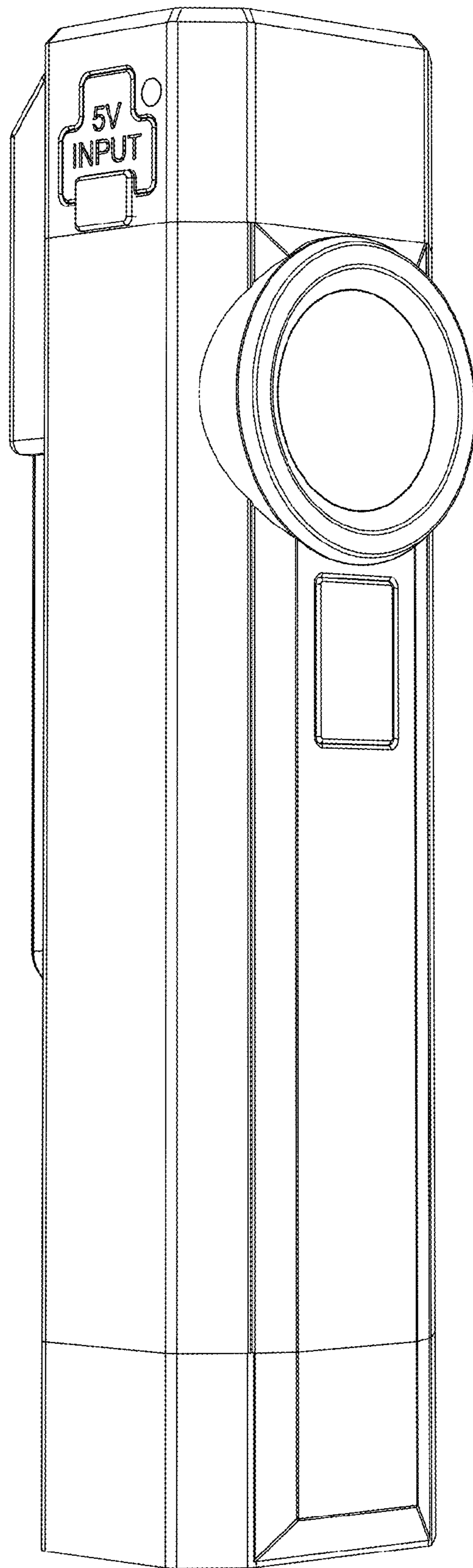


FIG. 7

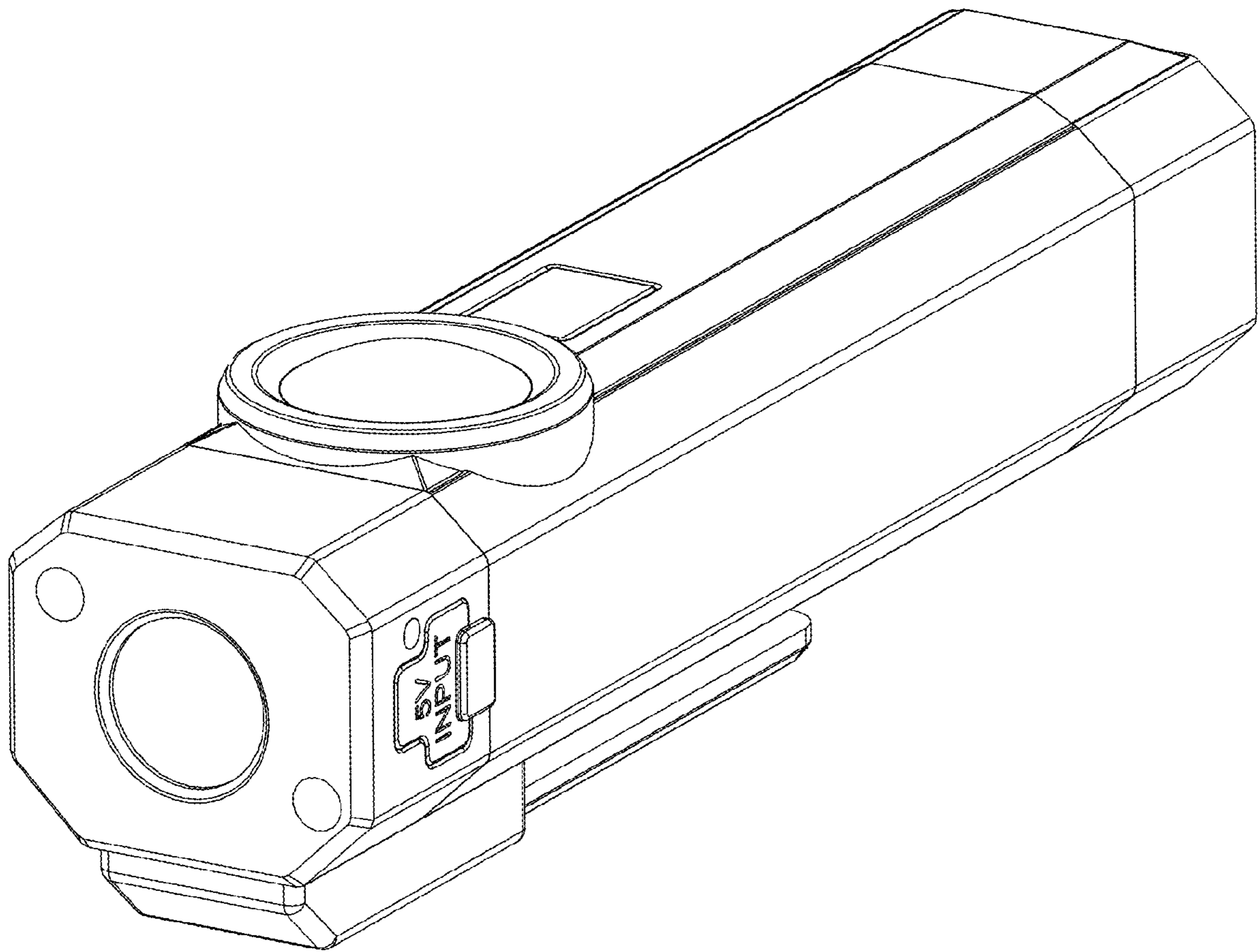


FIG. 8

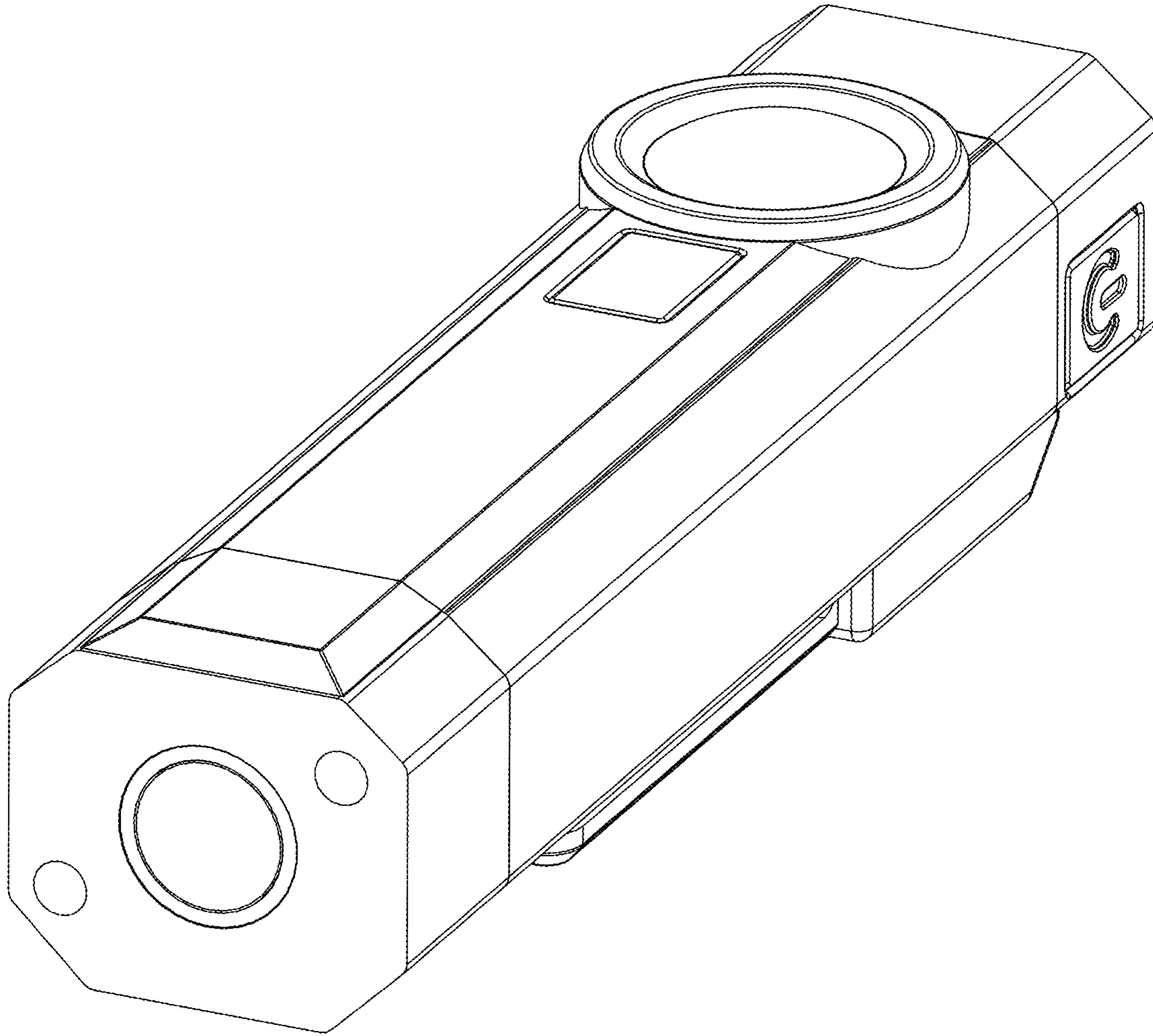


FIG. 9