



US00D945032S

(12) **United States Design Patent**  
**Qiu**

(10) **Patent No.:** **US D945,032 S**

(45) **Date of Patent:** **\*\* Mar. 1, 2022**

- (54) **GLOW STICK**
- (71) Applicant: **NINGBO FUTAI ELECTRIC LIMITED**, Zhejiang (CN)
- (72) Inventor: **Fujun Qiu**, Ningbo (CN)
- (73) Assignee: **NINGBO FUTAI ELECTRIC LIMITED**, Zhejiang (CN)
- (\*\*) Term: **15 Years**
- (21) Appl. No.: **29/669,543**
- (22) Filed: **Nov. 8, 2018**
- (51) **LOC (13) Cl.** ..... **26-02**
- (52) **U.S. Cl.**  
USPC ..... **D26/37**
- (58) **Field of Classification Search**  
USPC ..... D26/37-51, 63  
CPC ..... F21L 2003/00; F21L 4/005; F21L 4/02;  
F21L 4/022; F21L 4/025; F21L 4/027;  
F21L 4/04; F21L 4/045; F21L 4/06; F21L  
4/08; F21L 2005/00; F21L 13/00; F21L  
13/04; F21L 13/08; F21L 14/02; F21L  
17/00; F21L 19/00; F21L 2/00; F21L  
2001/00; F21L 7/00; F21L 11/00; F21L  
25/00; F21L 4/00-4/085; F21L  
15/00-15/14  
See application file for complete search history.

- D478,390 S \* 8/2003 Kessler ..... D26/47
- D574,741 S \* 8/2008 Gadsden ..... D10/114.9
- D622,438 S \* 8/2010 Sasada ..... D26/113
- D625,860 S \* 10/2010 Bertken ..... D26/37
- D626,671 S \* 11/2010 Bertken ..... D26/37
- D648,466 S \* 11/2011 Hickman ..... D26/42
- D676,170 S \* 2/2013 Feng ..... D26/38
- D740,149 S \* 10/2015 Talamo ..... D10/114.9
- D743,074 S \* 11/2015 Hwang ..... D26/38
- D760,928 S \* 7/2016 Bao ..... D26/24
- D793,595 S \* 8/2017 Lesperance ..... D26/37
- D809,169 S \* 1/2018 Grandadam ..... D26/38
- D811,635 S \* 2/2018 Urry ..... D26/42
- D818,621 S \* 5/2018 Kunzendorf ..... D26/49
- D845,266 S \* 4/2019 Zhong ..... D14/188
- D870,941 S \* 12/2019 Vasquez ..... D26/37

\* cited by examiner

*Primary Examiner* — Wendy L Arminio  
(74) *Attorney, Agent, or Firm* — Raymond Y. Chan;  
David and Raymond Patent Firm

(57) **CLAIM**

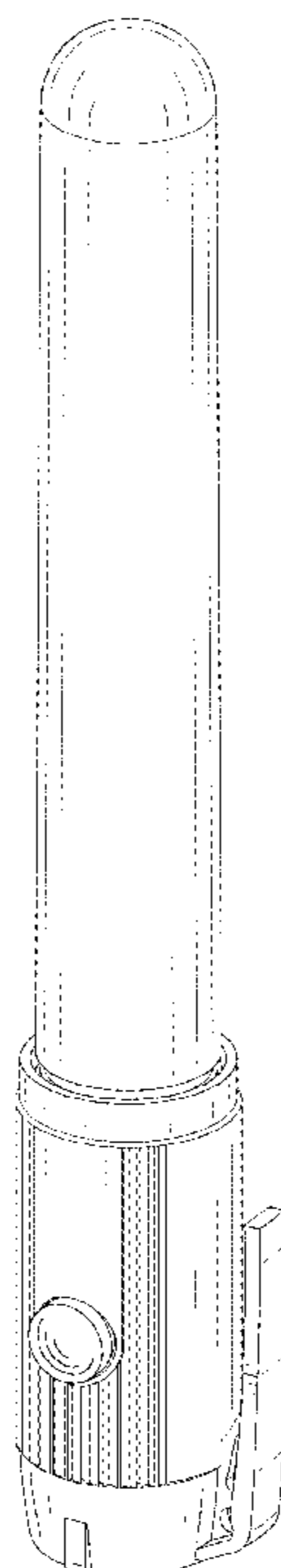
The ornamental design for a glow stick, as shown and described.

**DESCRIPTION**

FIG. 1 is a front view of the glow stick of my new design;  
FIG. 2 is a rear view thereof;  
FIG. 3 is a left view thereof;  
FIG. 4 is a right view thereof;  
FIG. 5 is a top view thereof;  
FIG. 6 is a bottom view thereof;  
FIG. 7 is a front perspective view thereof;  
FIG. 8 is a rear perspective view thereof; and,  
FIG. 9 is a bottom perspective view thereof.

**1 Claim, 9 Drawing Sheets**

- (56) **References Cited**  
U.S. PATENT DOCUMENTS  
D346,871 S \* 5/1994 Zeller ..... D26/42  
D473,332 S \* 4/2003 Lam ..... D26/49



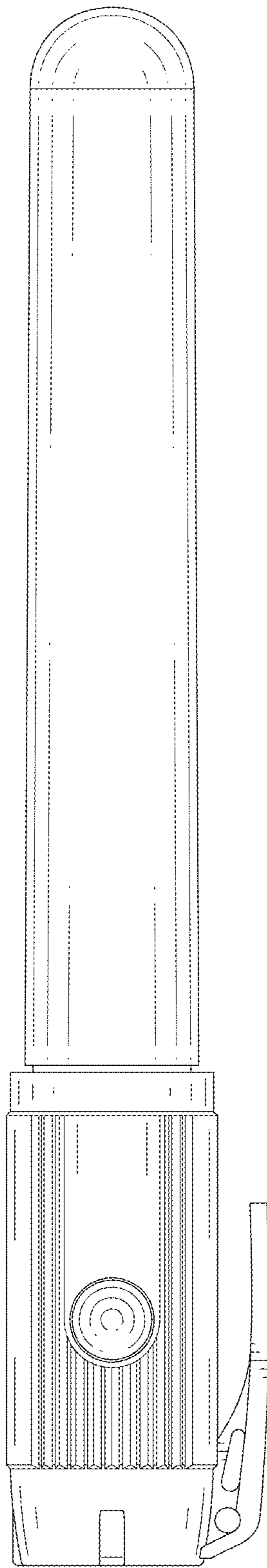


FIG.1

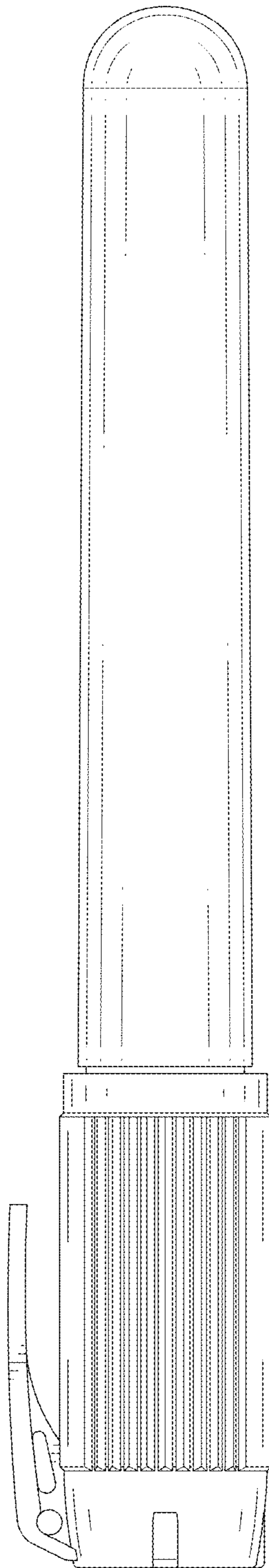


FIG.2

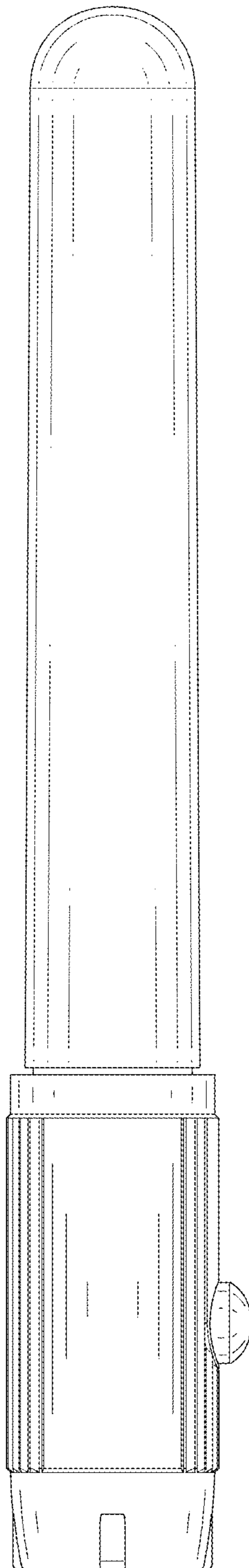


FIG.3

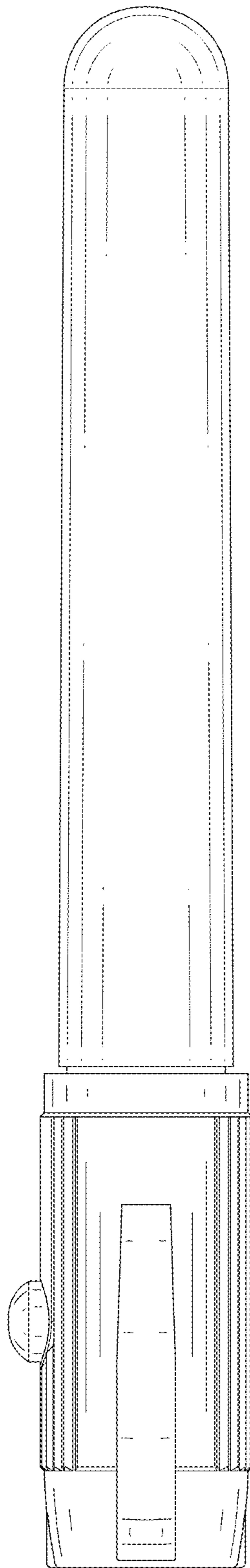


FIG.4

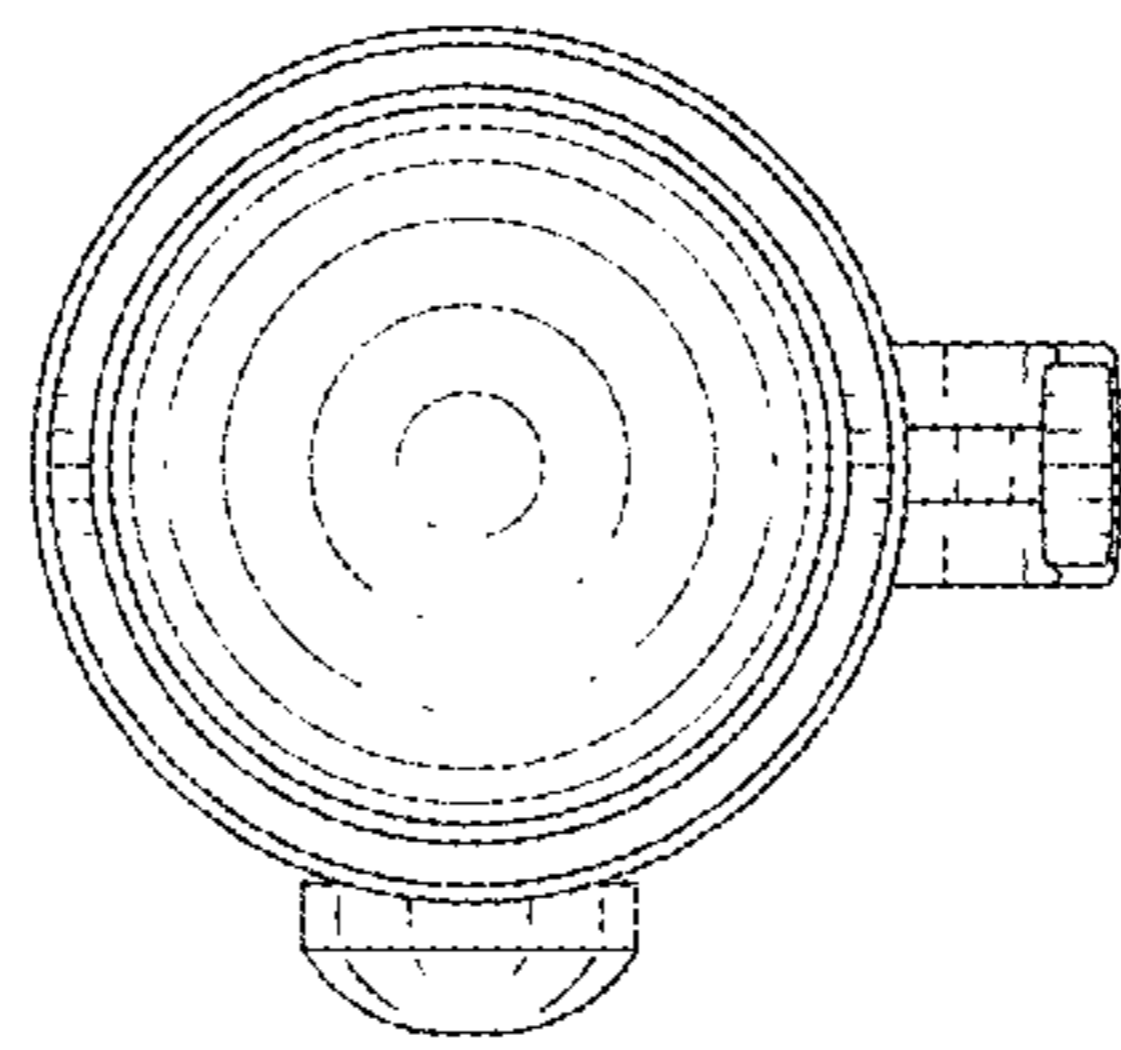


FIG.5

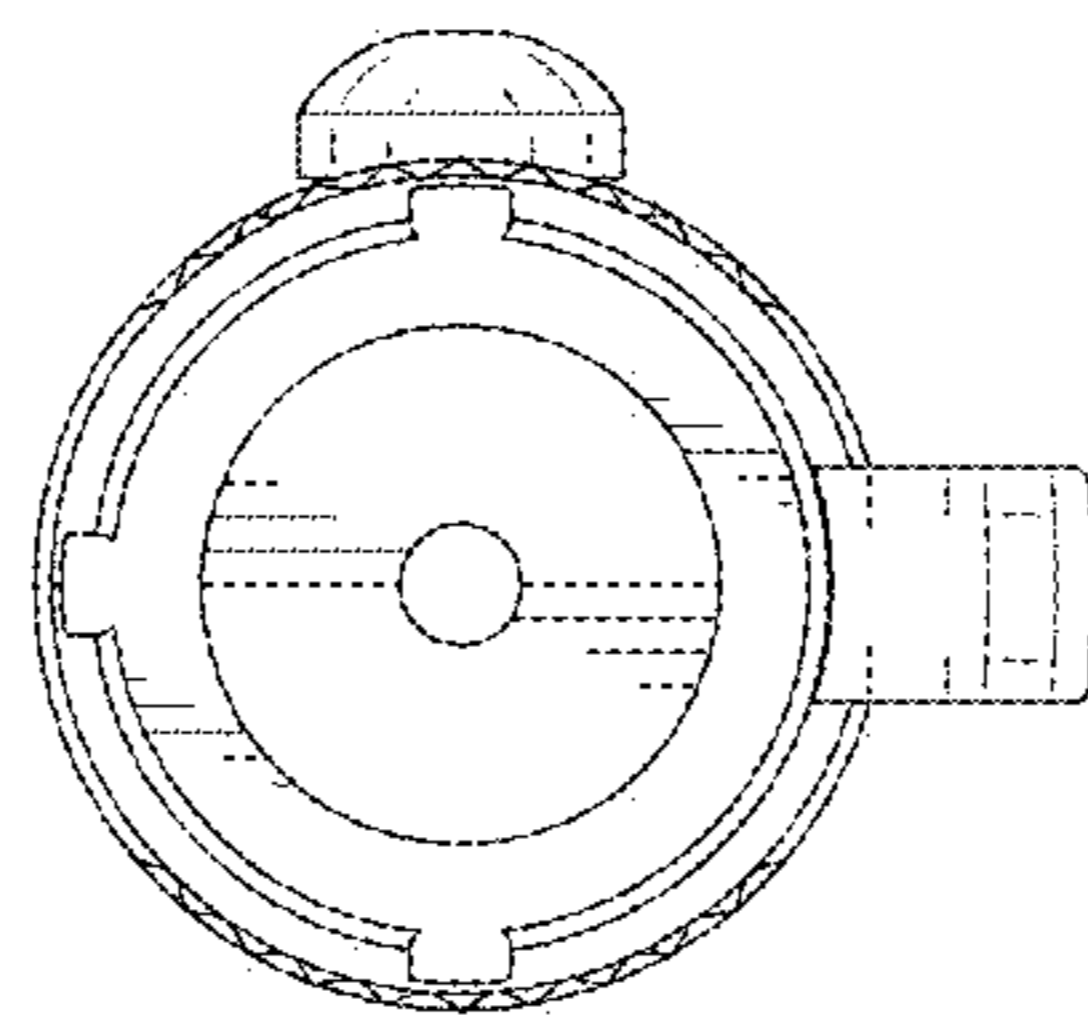


FIG.6

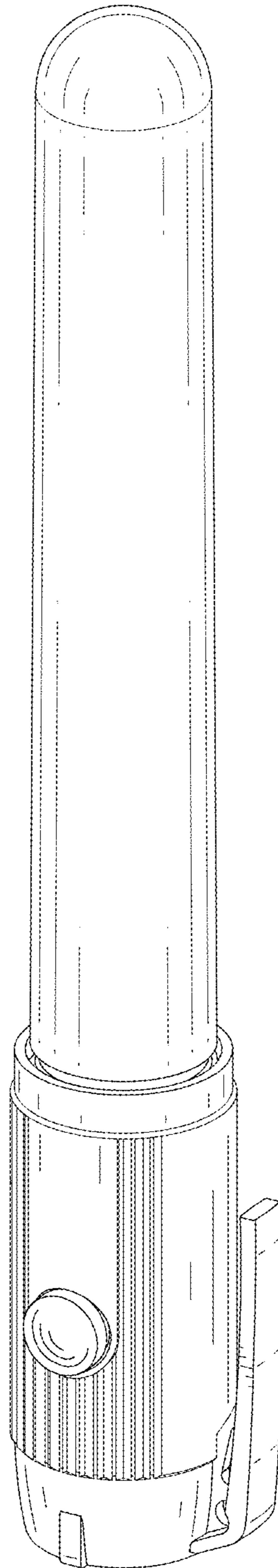


FIG.7



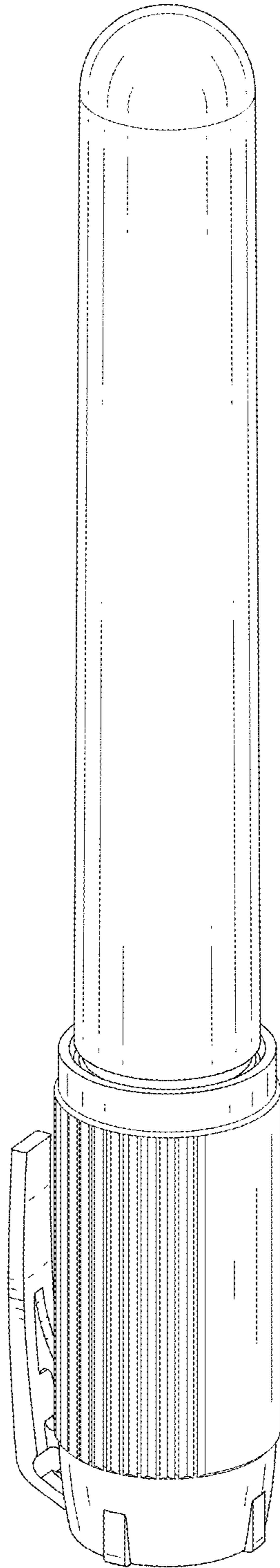


FIG. 8

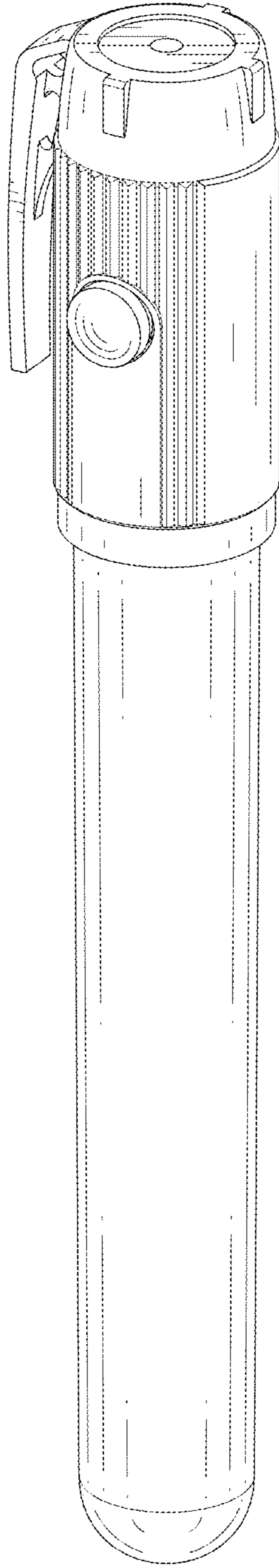


FIG. 9