



US00D945023S

(12) **United States Design Patent**
Kilian et al.

(10) **Patent No.:** **US D945,023 S**
(45) **Date of Patent:** **** Mar. 1, 2022**

(54) **ARCHITECTURAL FIXTURE**
(71) Applicant: **ARKTURA LLC**, Gardena, CA (US)
(72) Inventors: **Robert Kilian**, Venice, CA (US); **Chris Kabatsi**, Venice, CA (US); **Kevin Kane**, Los Angeles, CA (US); **Moti Tavassoli**, Los Angeles, CA (US)

D581,090 S 11/2008 Colleran et al.
9,108,239 B2 8/2015 Takahashi
9,175,473 B2 * 11/2015 Kaump E04B 9/127
D799,070 S * 10/2017 Hassan D25/138
D867,622 S 11/2019 Li et al.
10,654,424 B2 5/2020 Sim et al.
10,662,647 B2 * 5/2020 Kilian E04B 9/0414
10,808,402 B2 * 10/2020 Adams E04B 9/345
D903,151 S * 11/2020 Chao D25/138

(73) Assignee: **ARKTURA LLC**, Gardena, CA (US)

* cited by examiner

(**) Term: **15 Years**

Primary Examiner — Doris Clark

(21) Appl. No.: **29/744,026**

(74) *Attorney, Agent, or Firm* — The Belles Group PC

(22) Filed: **Jul. 27, 2020**

(51) **LOC (13) Cl.** **25-01**

(52) **U.S. Cl.**

USPC **D25/138**

(58) **Field of Classification Search**

USPC D25/138, 58

CPC E04C 2/38; E04C 2/00; E04C 2/30; E04C

2002/3477; E04C 2/324; E04C 2002/004;

E04C 2002/005; E04C 2/42; E04C 2/422;

E04B 2/72; E04B 2/74; E04B 2/7405;

E04B 2103/00; E04B 1/3205; E04B 1/32;

E04B 1/3211; E04B 1/342; E04B

2001/3223; E04B 2009/026; E04B 9/345;

E04B 9/34; E04B 9/0457; E04B 9/0414;

E04B 9/0407; E04B 9/225; E04B 9/0464;

E04B 9/18; E04B 9/00; E04B 9/36; E04B

9/363; E04B 9/366; E04B 9/0471; E04B

9/0478; E04B 9/127; E04B 9/16; E04B

9/065

See application file for complete search history.

(56) **References Cited**

U.S. PATENT DOCUMENTS

2,882,990 A 4/1959 Mustoe
D509,604 S 9/2005 Zarifian

(57) **CLAIM**

The ornamental design for an architectural fixture, as shown and described.

DESCRIPTION

FIG. 1 is a bottom, front, left perspective view of an architectural fixture showing our new design;

FIG. 2 is a front elevation view of the architectural fixture of FIG. 1;

FIG. 3 is a rear elevation view of the architectural fixture of FIG. 1;

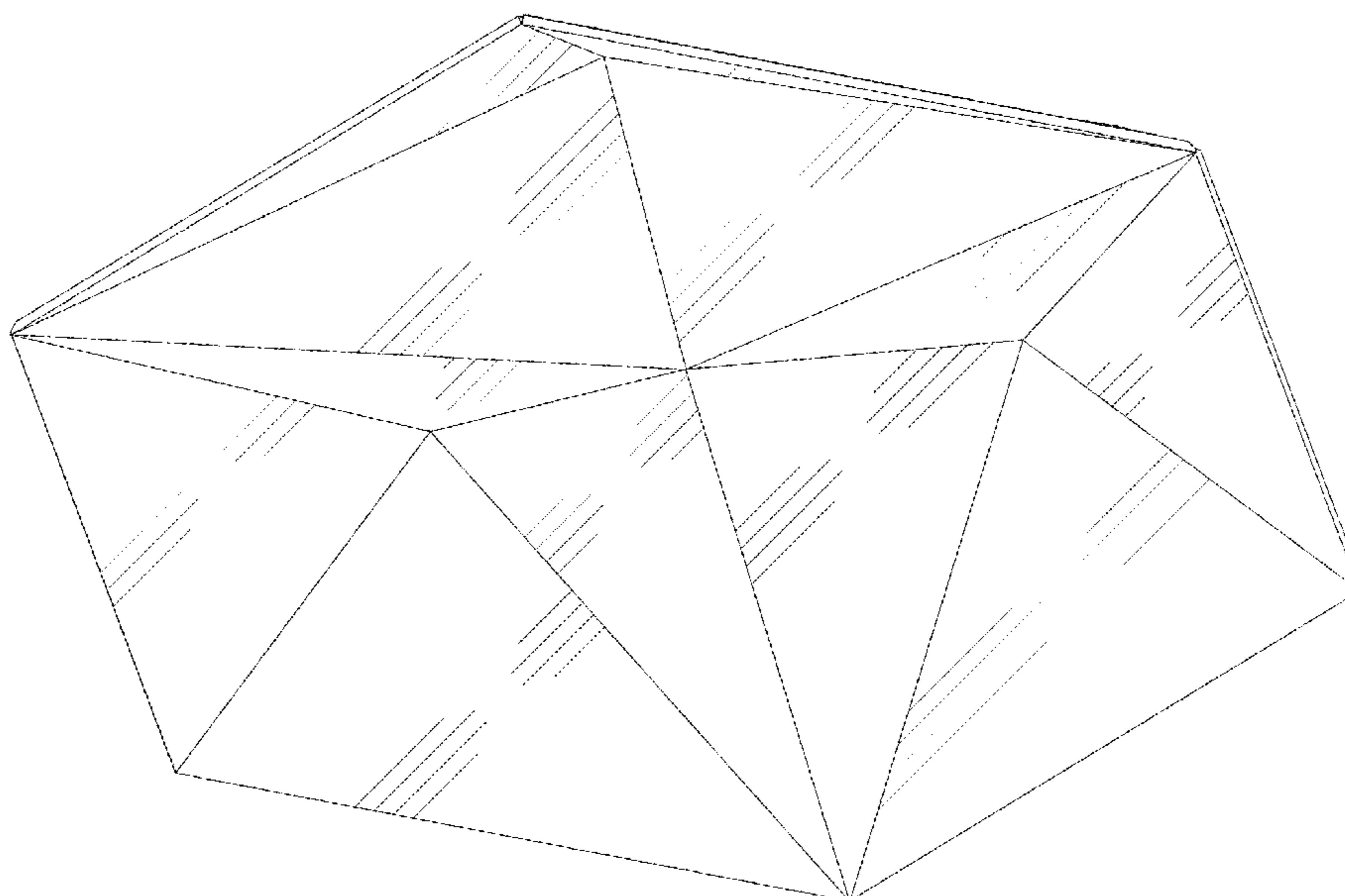
FIG. 4 is a left side elevation view of the architectural fixture of FIG. 1;

FIG. 5 is a right side elevation view of the architectural fixture of FIG. 1;

FIG. 6 is a top plan view of the architectural fixture of FIG. 1; and,

FIG. 7 is a bottom plan view of the architectural fixture of FIG. 1.

1 Claim, 5 Drawing Sheets



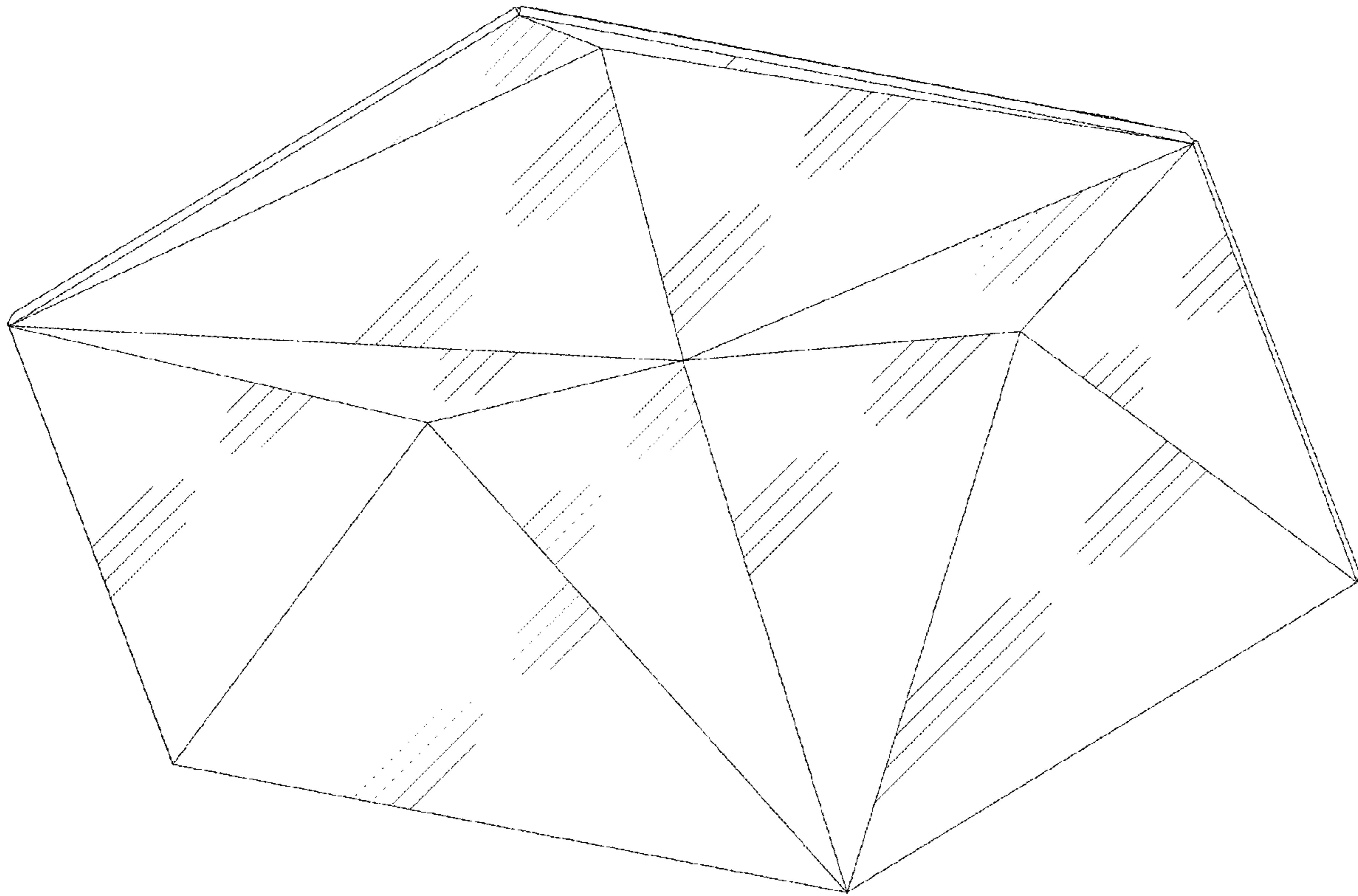


FIG. 1

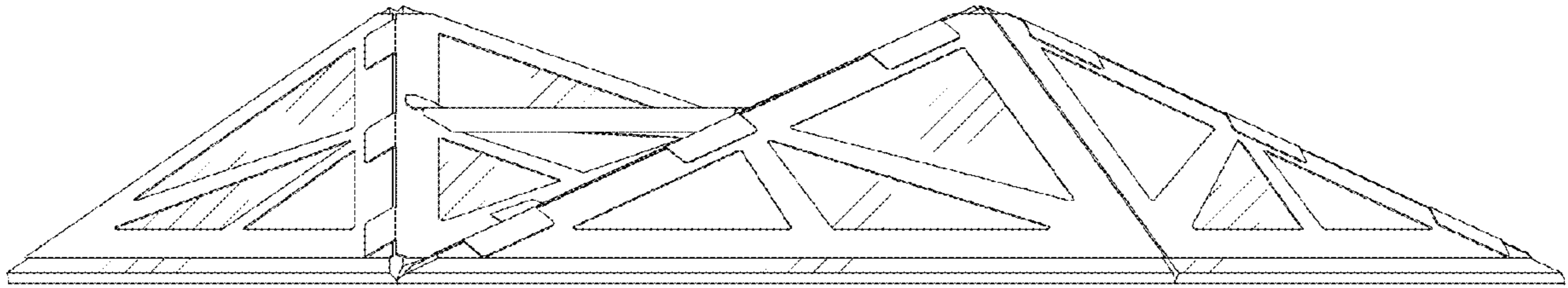


FIG. 2

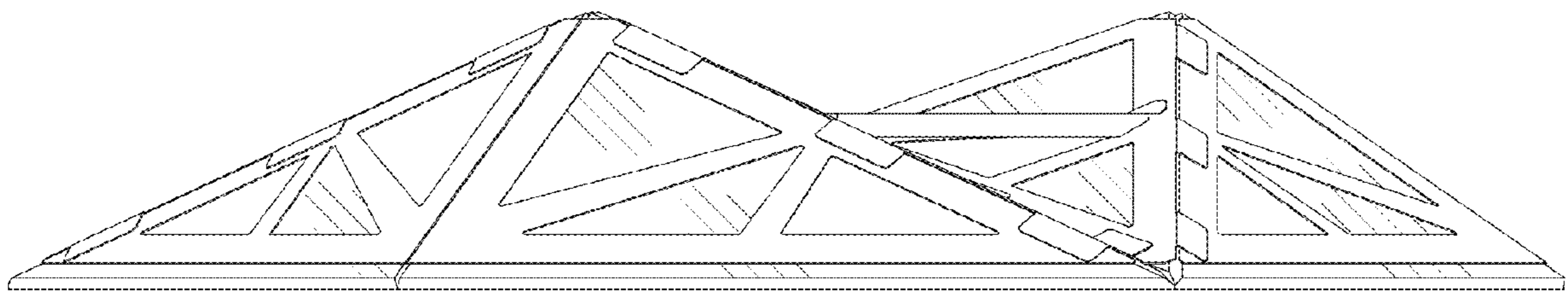


FIG. 3

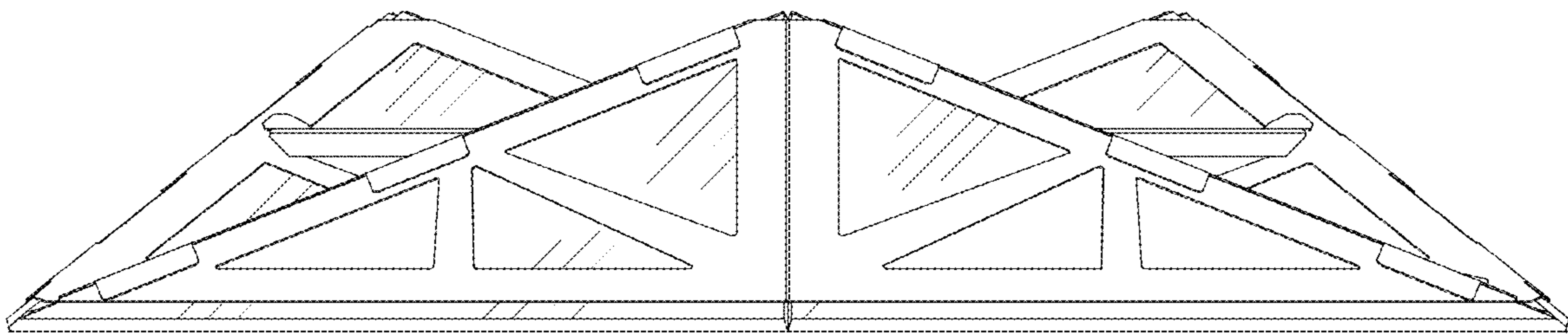


FIG. 4

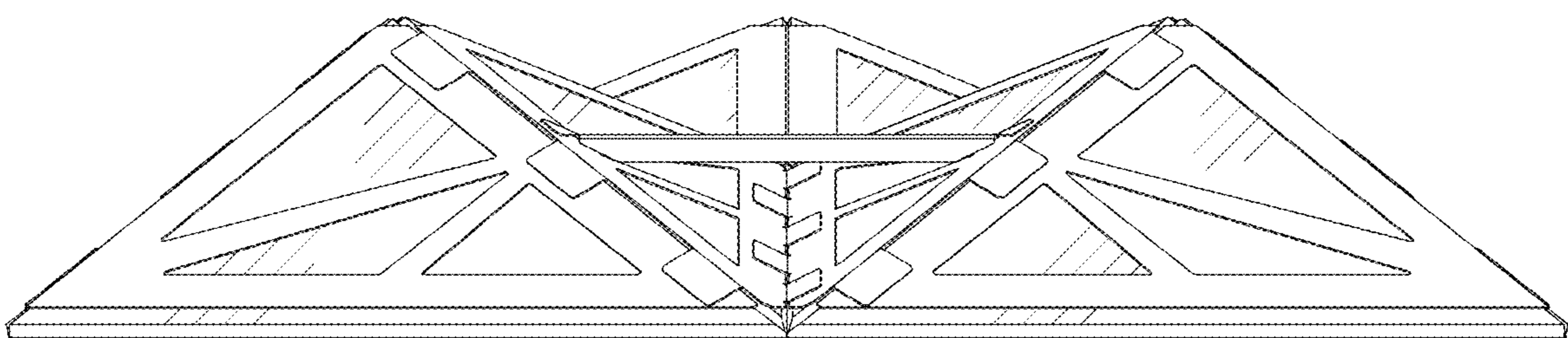


FIG. 5

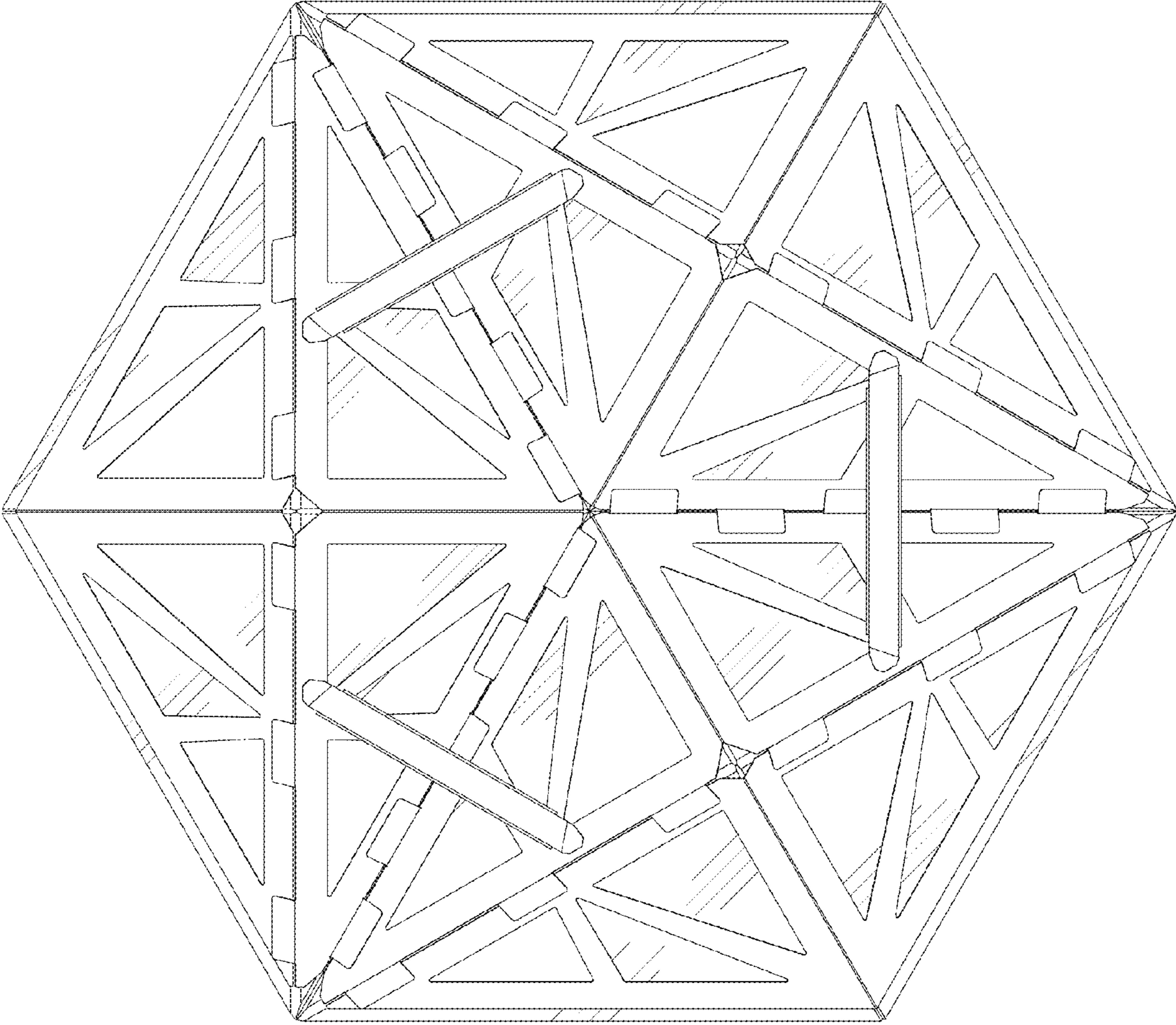


FIG. 6

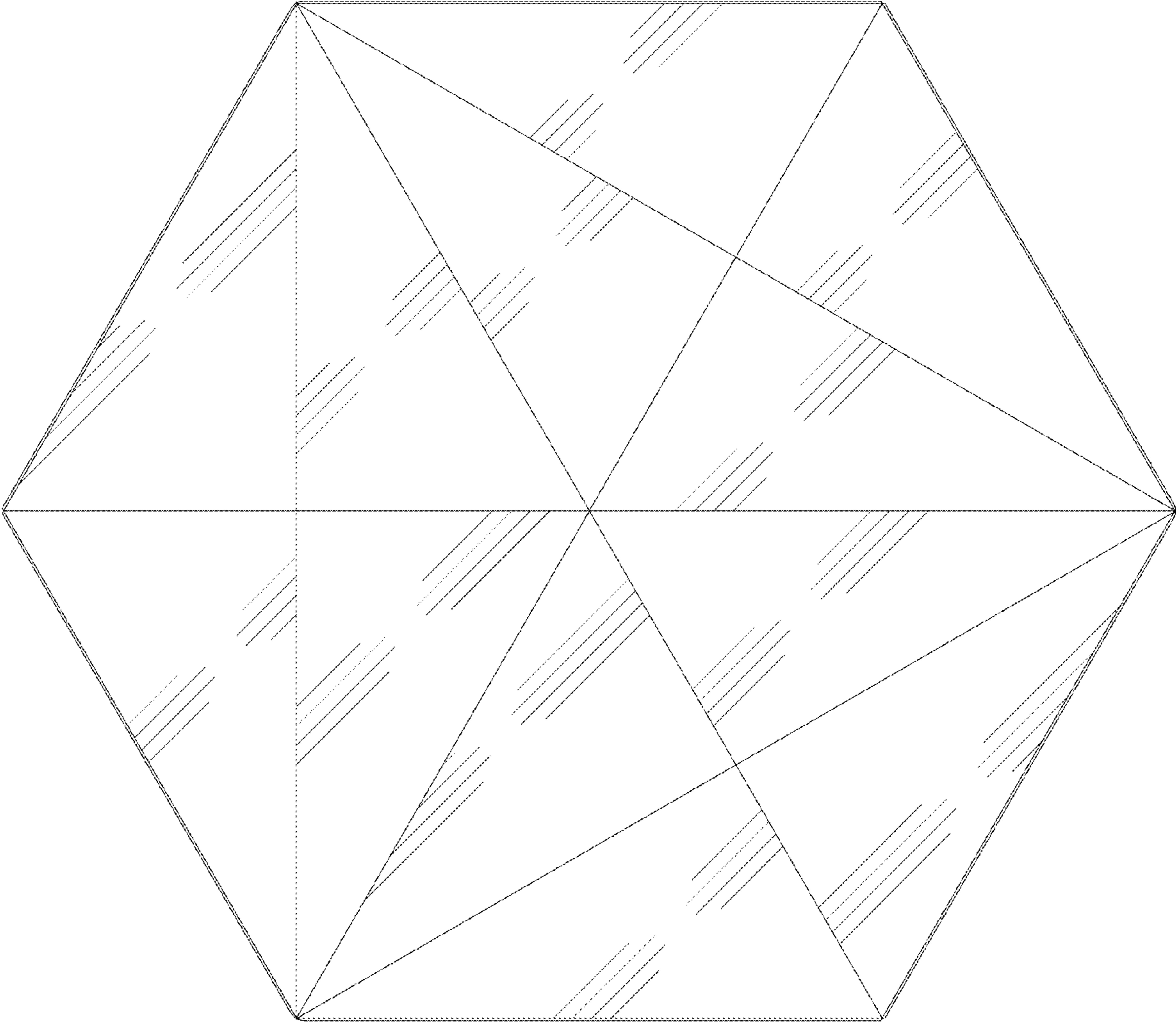


FIG. 7