



US00D945022S

(12) **United States Design Patent** (10) **Patent No.:** **US D945,022 S**
Lewis (45) **Date of Patent:** **** Mar. 1, 2022**

(54) **PLANTER BLOCK**
(71) Applicant: **Northeast Architectural Products, Inc.**, Archbald, PA (US)
(72) Inventor: **David William Lewis**, Dunmore, PA (US)
(73) Assignee: **NORTHEAST ARCHITECTURAL PRODUCTS, INC.**, Archbald, PA (US)
(**) Term: **15 Years**
(21) Appl. No.: **29/726,453**

5,027,478 A * 7/1991 Suhr F16L 3/223
24/16 R
D372,419 S * 8/1996 Ikegami D8/382
D395,815 S * 7/1998 Walters D8/354
6,345,474 B1 2/2002 Triplett
D528,407 S * 9/2006 Schwab D8/399
D545,922 S * 7/2007 Glickman D21/484
D572,985 S * 7/2008 Galeano D8/1
D632,163 S * 2/2011 Hanna D8/382
D653,523 S * 2/2012 Wackwitz D8/354
D691,877 S * 10/2013 Ganski D8/356
D719,013 S * 12/2014 St. John D8/356
D720,253 S * 12/2014 Howell D11/147
D759,765 S * 6/2016 Hardstaff D21/489
9,534,708 B2 * 1/2017 Cripps, II F16L 3/22

(Continued)

(22) Filed: **Mar. 3, 2020**
(51) **LOC (13) Cl.** **25-01**
(52) **U.S. Cl.**
USPC **D25/117**
(58) **Field of Classification Search**
USPC D25/117; D11/143-156, 164; D21/488;
D8/1
CPC E04B 2/12; E04B 2/14; E04B 2/18; E04B
2/20
See application file for complete search history.

OTHER PUBLICATIONS

Planter Block, Series Name: 10.1-IN Round Planter Block, UNSPSC: 30131500, online on Lowes.com, Earliest review date: Aug. 13, 2020.*

Primary Examiner — Elizabeth A. Albert
(74) *Attorney, Agent, or Firm* — Warner Norcross + Judd LLP

(56) **References Cited**

U.S. PATENT DOCUMENTS

497,959 A * 5/1893 Hesz E04D 5/145
52/410
D26,848 S * 3/1897 Williams D25/117
1,987,127 A * 1/1935 Rice H01R 43/042
403/393
D153,644 S * 5/1949 Stanley, Sr. et al. D32/61
2,496,758 A * 2/1950 Tingley A47G 7/07
47/41.13
3,131,510 A * 5/1964 Engstrom A01G 9/02
47/41.01
3,177,611 A * 4/1965 Beck A63H 33/06
446/114
D285,463 S * 9/1986 Davis D21/502
D297,303 S * 8/1988 Finklestein D21/489

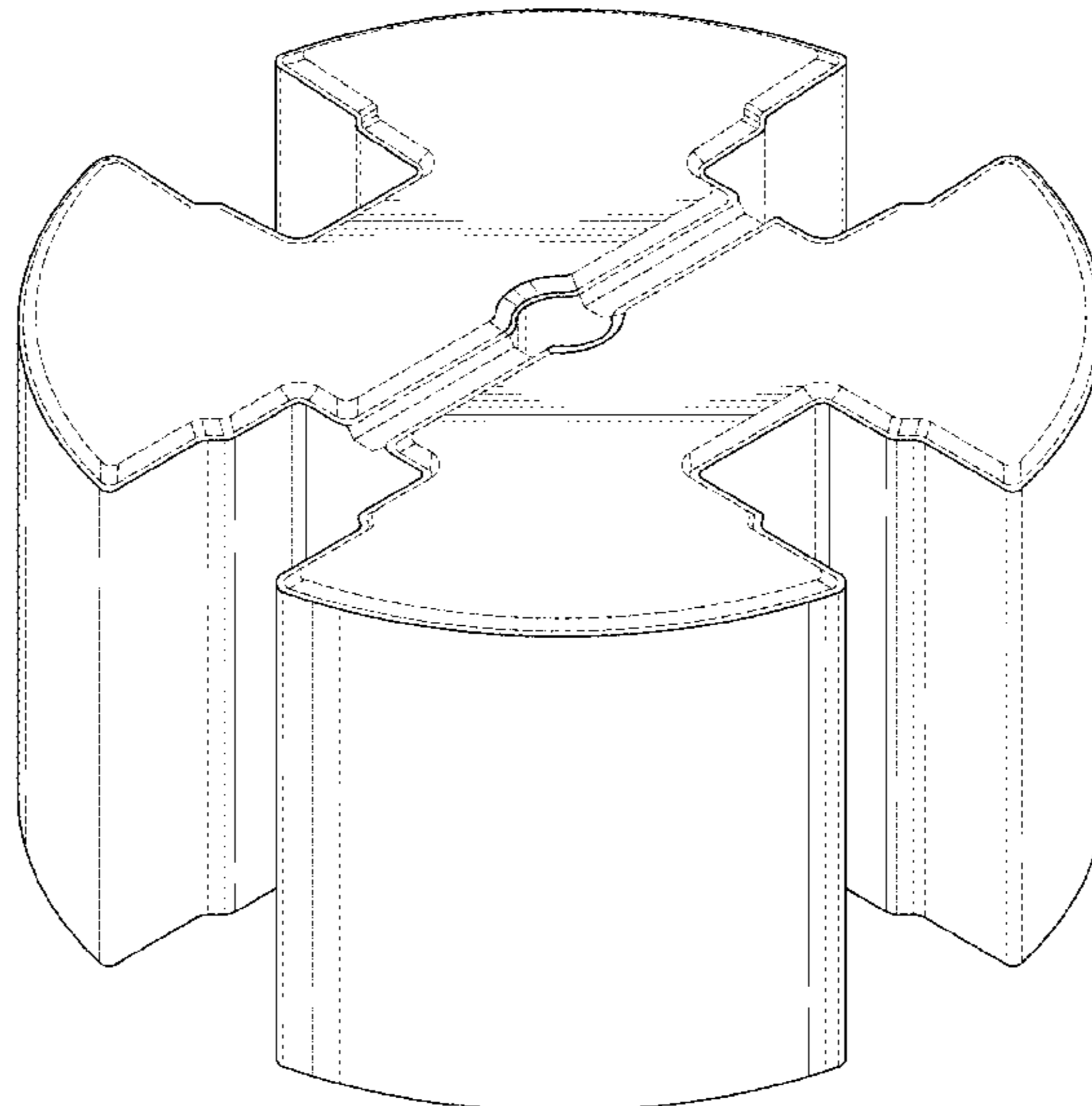
(57) **CLAIM**

The ornamental design for a planter block, shown and described.

DESCRIPTION

FIG. 1 is a perspective view of a planter block;
FIG. 2 is a front elevation view thereof, which is a mirror image of the rear elevation view;
FIG. 3 is a left side elevation view thereof, which is a mirror image of the right side elevation view;
FIG. 4 is a top plan view thereof; and,
FIG. 5 is a bottom plan view thereof.
The broken lines represent portions of the design that form no part of the claim.

1 Claim, 5 Drawing Sheets



(56)

References Cited

U.S. PATENT DOCUMENTS

D779,683	S	2/2017	Quan Rosales et al.	
D790,638	S *	6/2017	Kuo	D21/504
D792,607	S	7/2017	Penterman et al.	
D792,608	S	7/2017	Penterman et al.	
9,808,734	B2 *	11/2017	Kuo	A63H 33/082
2005/0186021	A1 *	8/2005	Savas	E04B 2/7405 403/45

* cited by examiner

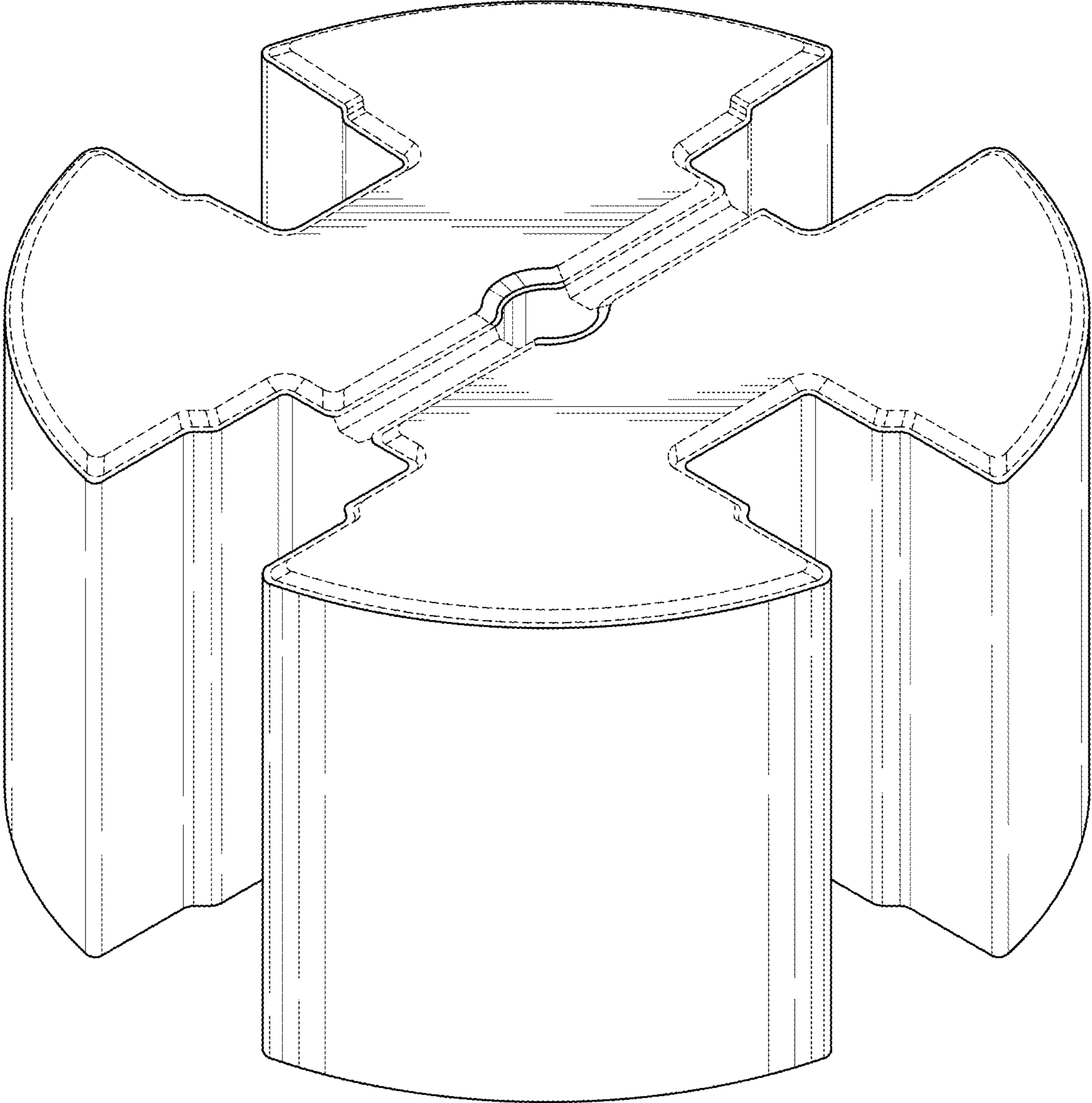


FIG. 1

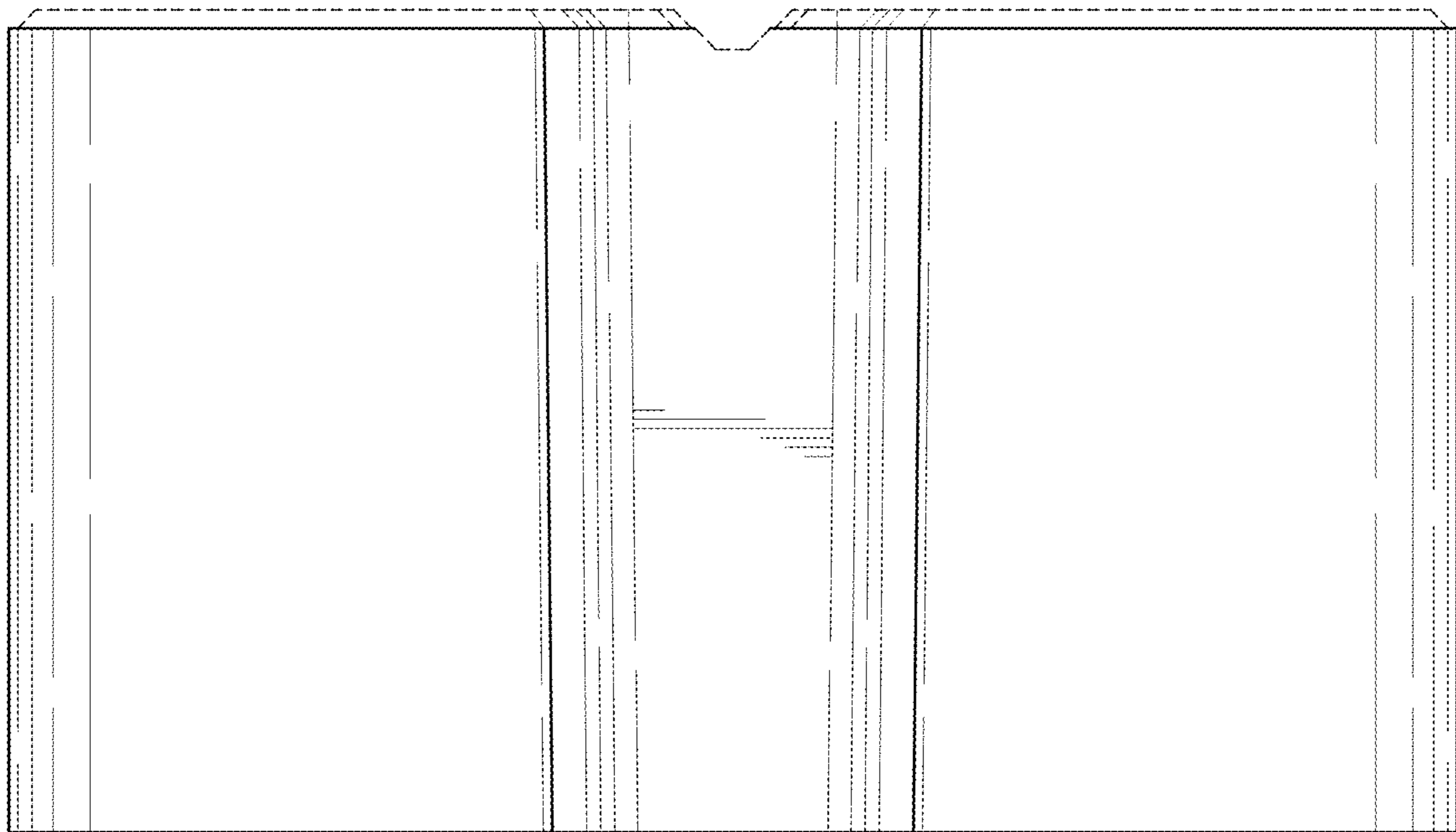


FIG. 2

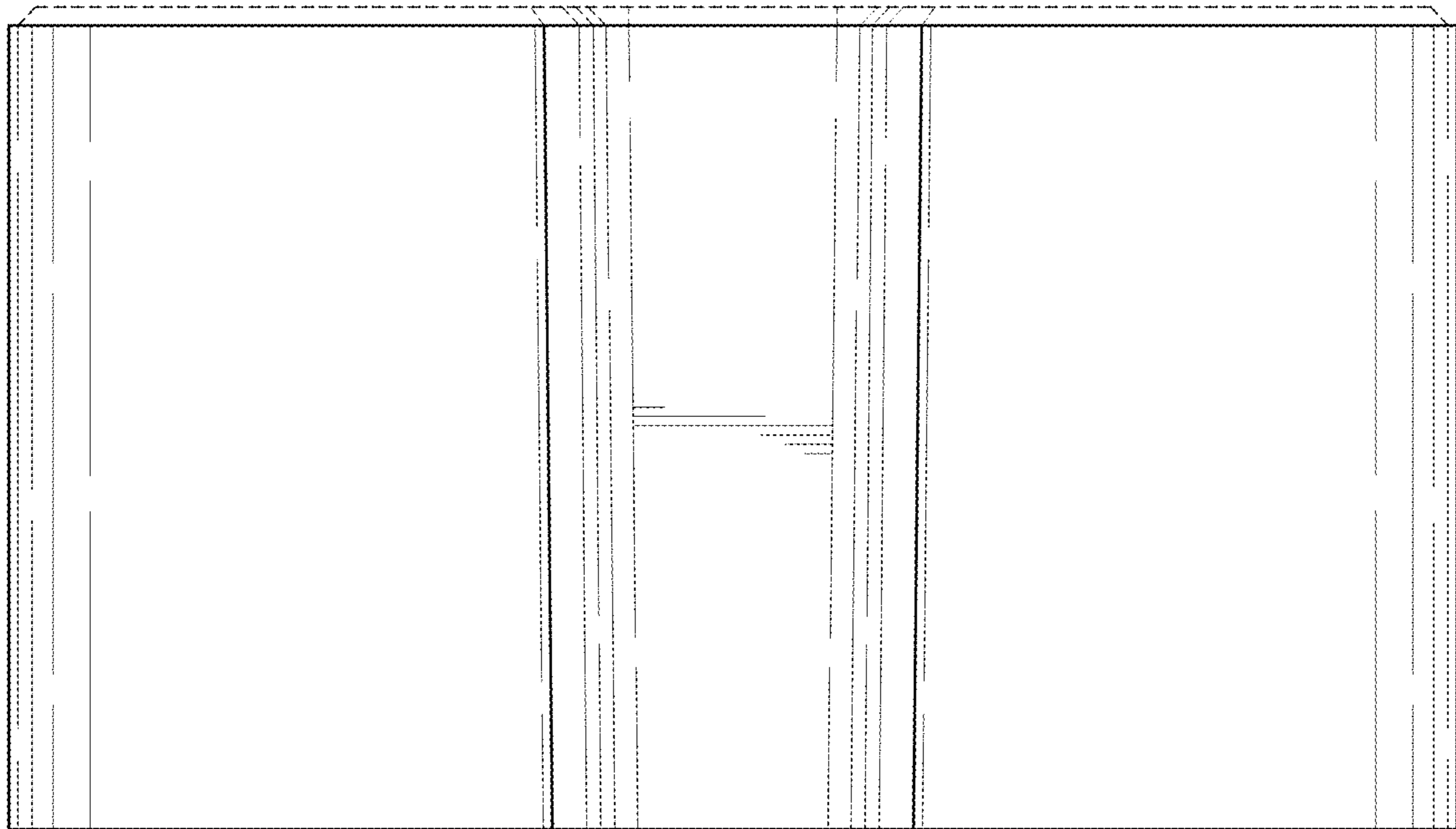


FIG. 3

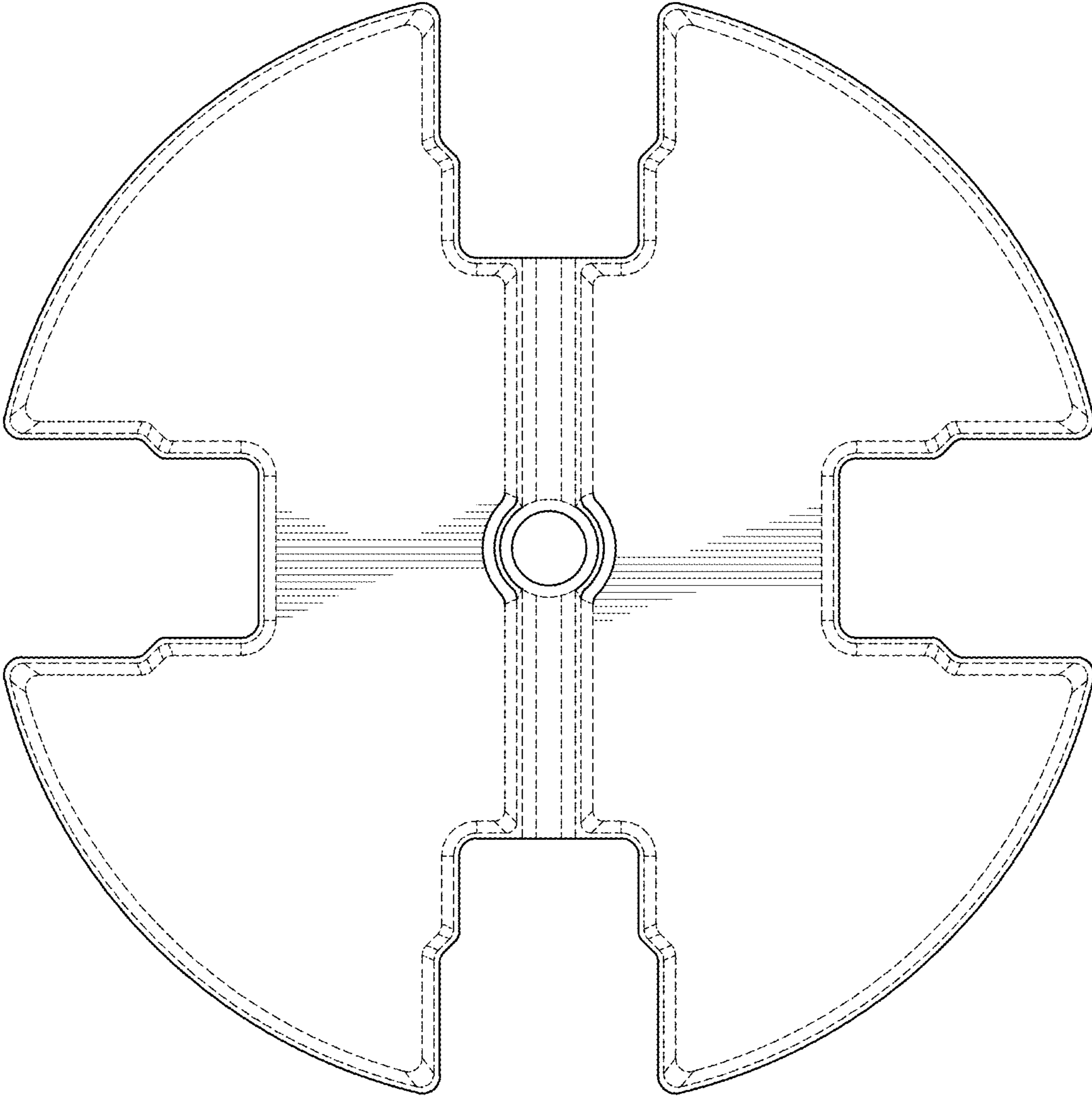


FIG. 4

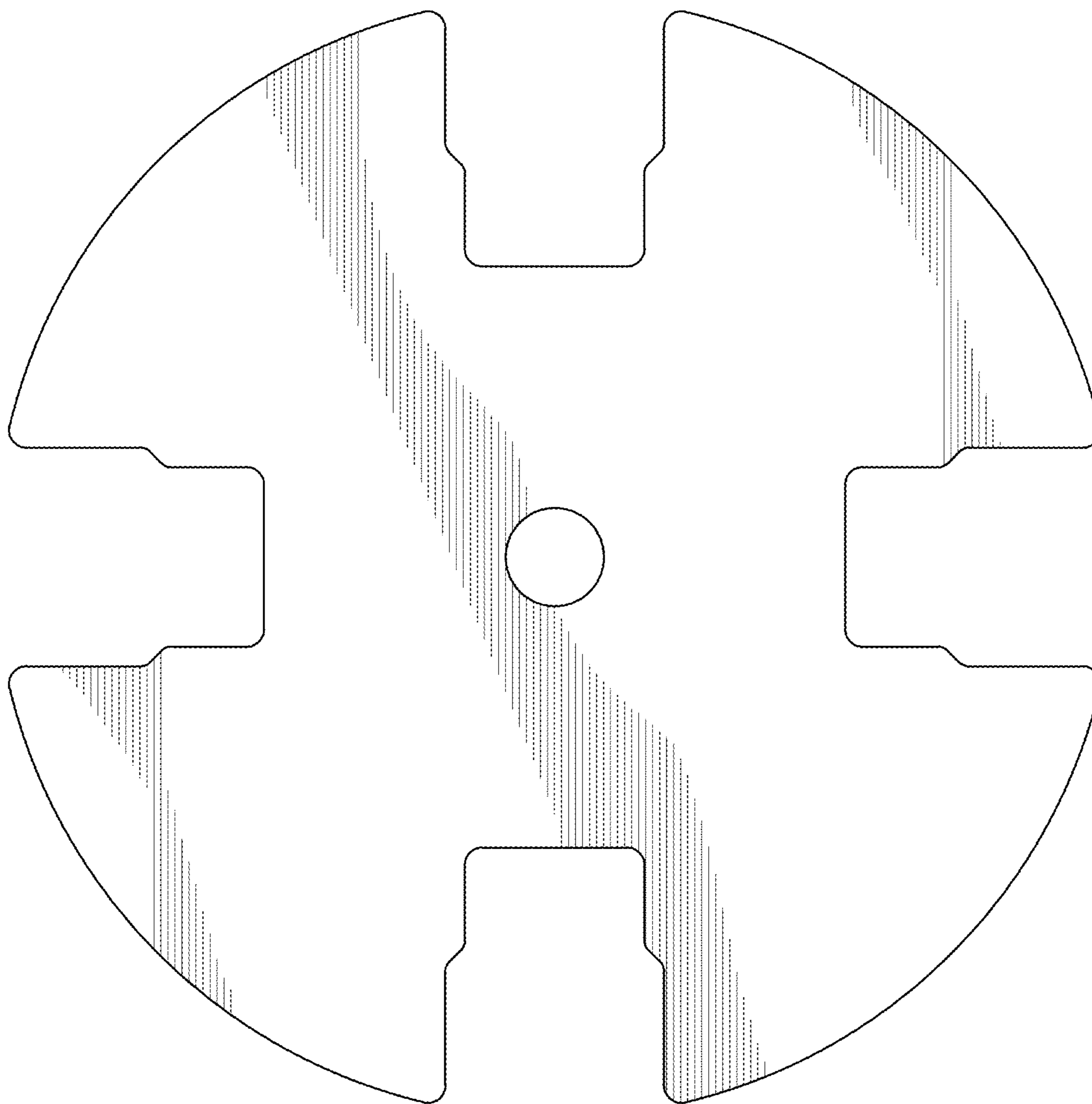


FIG. 5