



US00D945021S

(12) **United States Design Patent**
Walsh

(10) **Patent No.:** **US D945,021 S**

(45) **Date of Patent:** **** Mar. 1, 2022**

(54) **LITE**

(71) Applicant: **Masonite Corporation**, Tampa, FL
(US)

(72) Inventor: **Jason M. Walsh**, Batavia, IL (US)

(73) Assignee: **Masonite Corporation**, Tampa, FL
(US)

(**) Term: **15 Years**

(21) Appl. No.: **29/722,272**

(22) Filed: **Jan. 28, 2020**

(51) **LOC (13) Cl.** **25-01**

(52) **U.S. Cl.**
USPC **D25/103**

(58) **Field of Classification Search**
USPC D25/48.3, 48.7, 103, 106, 109, 110, 111
CPC . B44C 5/0407; B44C 5/08; B44F 7/00; B44F
11/04; B32B 17/10247; E06B 3/28; E06B
3/6604

See application file for complete search history.

(56) **References Cited**

U.S. PATENT DOCUMENTS

D631,173 S *	1/2011	Hu	D25/103
D652,530 S *	1/2012	Walsh	D25/103
D664,676 S *	7/2012	Walsh	D25/103
D691,286 S *	10/2013	Hu	D25/103
D692,585 S *	10/2013	Walsh	D25/103
D751,220 S *	3/2016	Walsh	D25/103
D760,401 S *	6/2016	Hu	D25/103

* cited by examiner

Primary Examiner — Leanne Was-Englehart

(74) *Attorney, Agent, or Firm* — Berenato & White, LLC

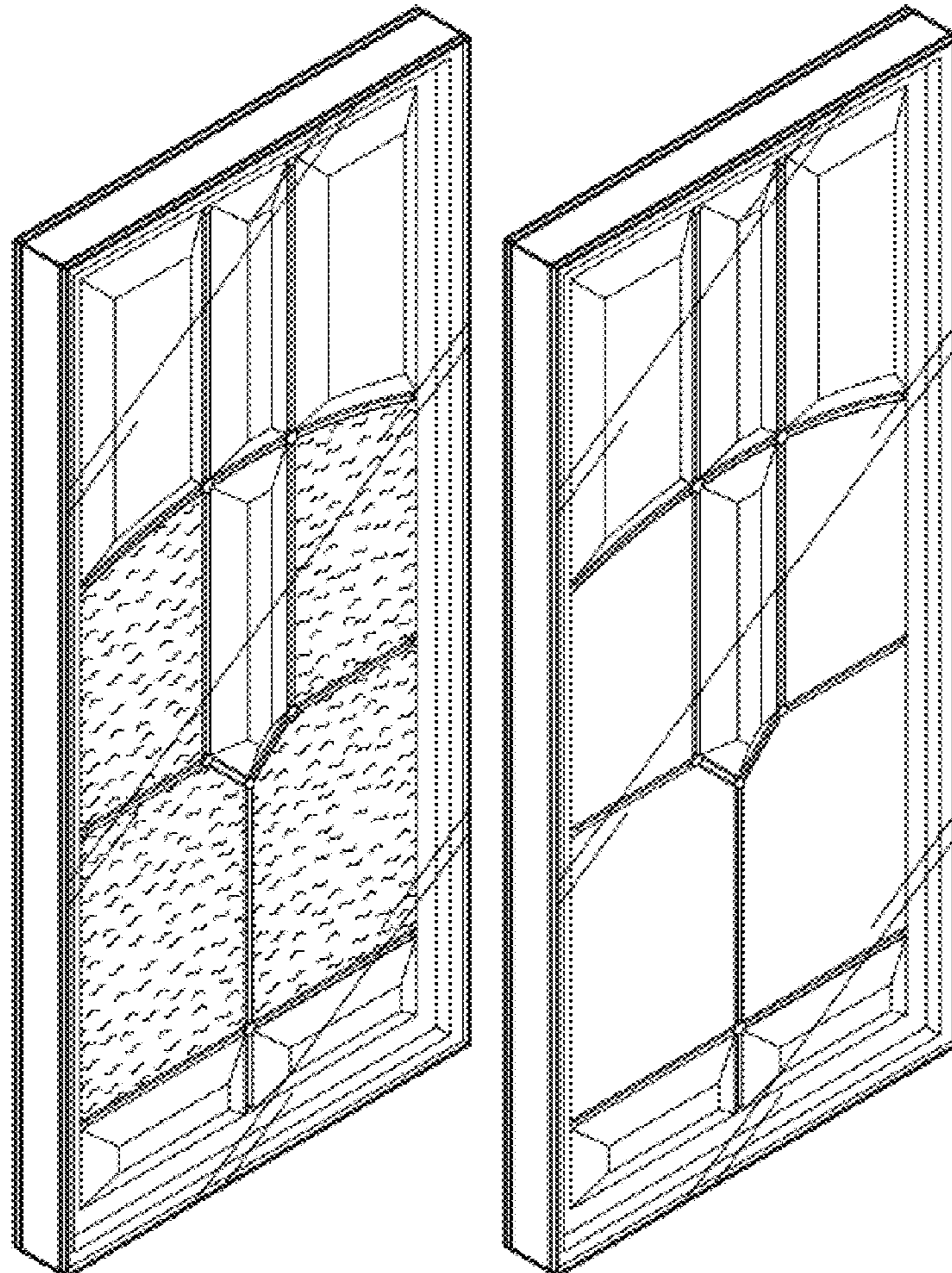
(57) **CLAIM**

The ornamental design for a lite, as shown and described.

DESCRIPTION

FIG. 1 is a front perspective view of a lite;
FIG. 2 is a front elevational view of the lite of FIG. 1, with
the rear being a mirror image thereof;
FIG. 3 is a front perspective view of a variation thereof; and,
FIG. 4 is a front elevational view of the lite of FIG. 3, with
the rear being a mirror image thereof.

1 Claim, 1 Drawing Sheet



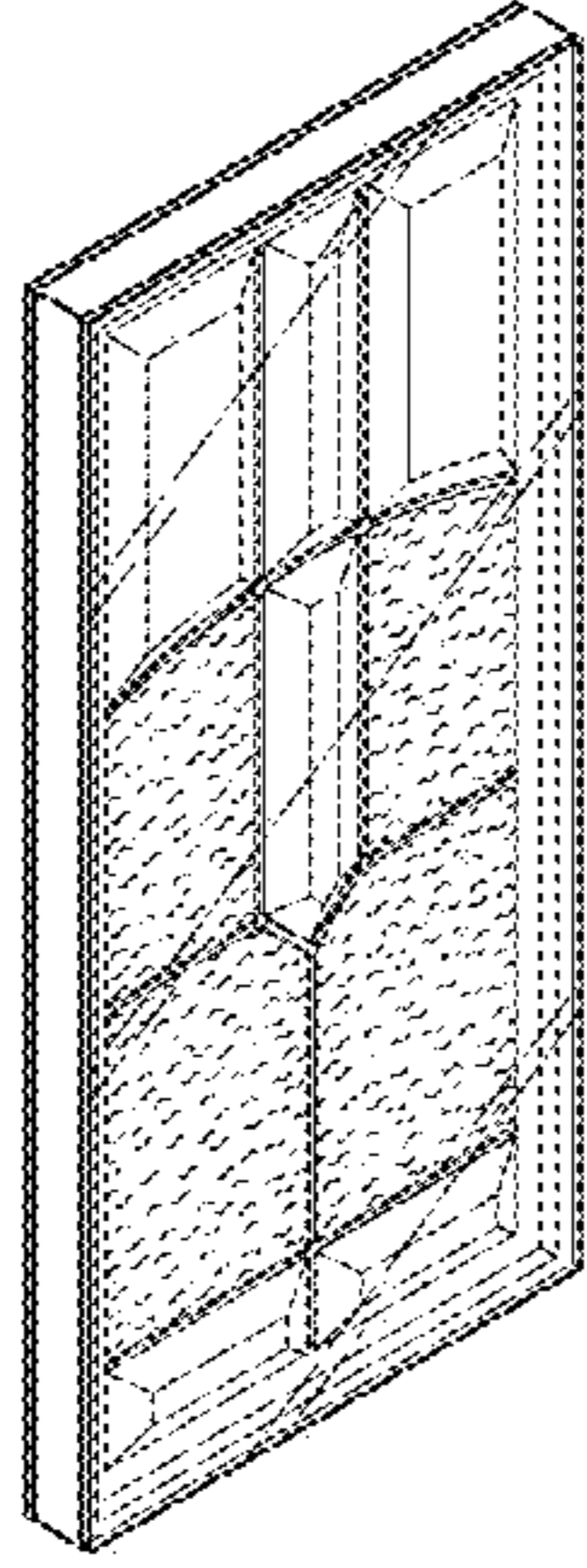


FIG. 1

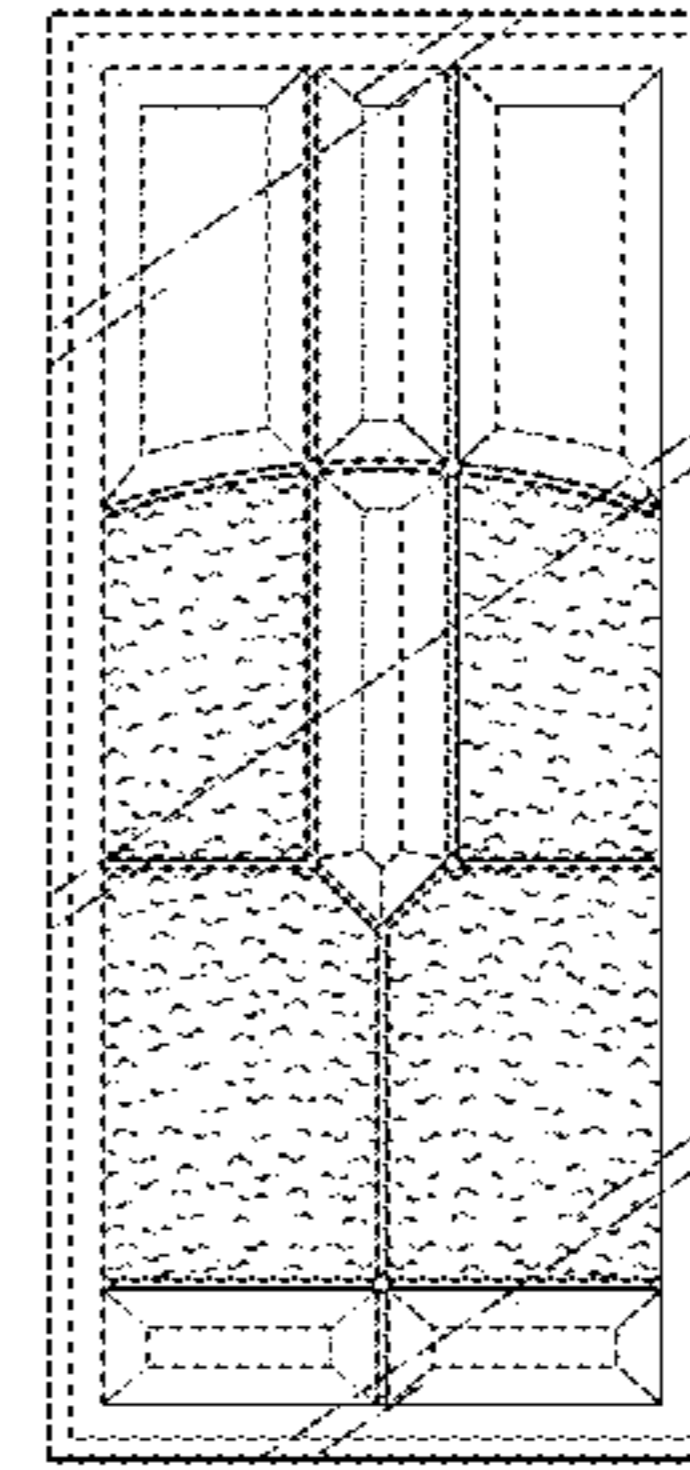


FIG. 2

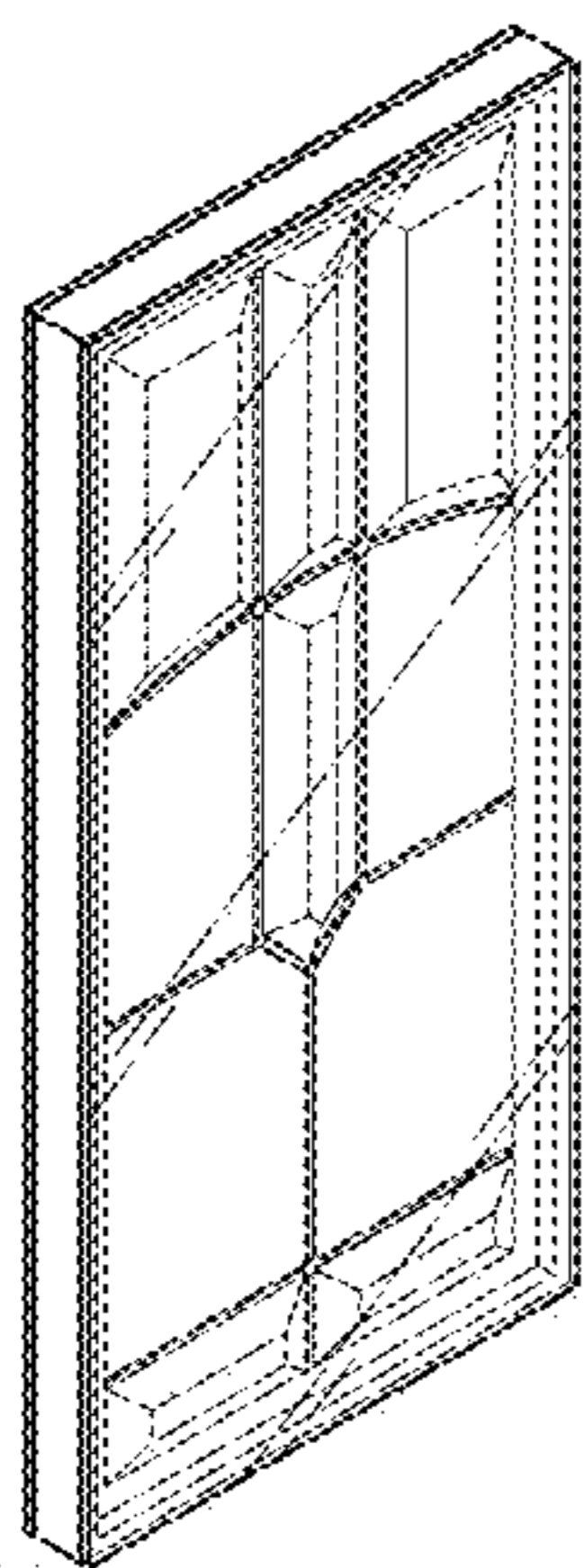


FIG. 3

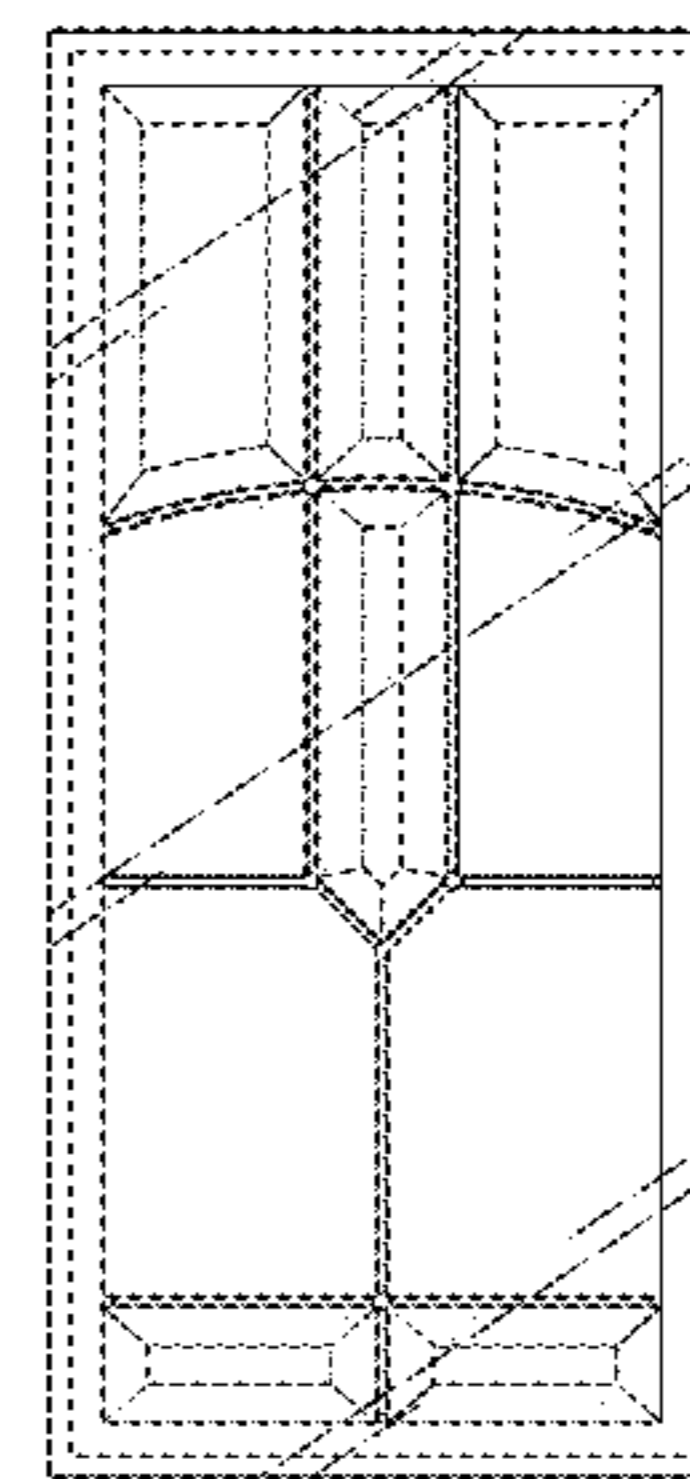


FIG. 4