



US00D945019S

(12) **United States Design Patent**  
**Fraser**

(10) **Patent No.:** **US D945,019 S**  
(45) **Date of Patent:** **\*\* Mar. 1, 2022**

(54) **SHELTER**

FOREIGN PATENT DOCUMENTS

(71) Applicant: **Mark Andrew Fraser**, Hamilton  
Queensland (AU)

KR 300694269.0000 \* 5/2013

(72) Inventor: **Mark Andrew Fraser**, Hamilton  
Queensland (AU)

OTHER PUBLICATIONS

(\*\*) Term: **15 Years**

Beach Day Innovation Life In Brunswick County <https://lifeinbrunswickcounty.com/beach-day-innovation/> Posted Jul. 14, 2020 (Year: 2020).\*  
CoolCabanas Vento <https://coolcabanas.com.au/collections/all> Available Jan. 21, 2021 (Year: 2021).\*

(21) Appl. No.: **29/740,916**

(22) Filed: **Jul. 8, 2020**

\* cited by examiner

(30) **Foreign Application Priority Data**

*Primary Examiner* — Leanne Was-Englehart

Apr. 17, 2020 (AU) ..... 2020100586

(74) *Attorney, Agent, or Firm* — Brooks Kushman P.C.

(51) **LOC (13) Cl.** ..... **25-02**

(57) **CLAIM**

(52) **U.S. Cl.**  
USPC ..... **D25/56; D21/837**

The ornamental design for a shelter, as shown and described.

(58) **Field of Classification Search**  
USPC ..... D21/834, 837, 839; D25/56, 57  
CPC ..... E04H 15/06; E04H 15/003; E04H 15/30;  
E04H 15/36; E04H 15/44  
See application file for complete search history.

**DESCRIPTION**

(56) **References Cited**

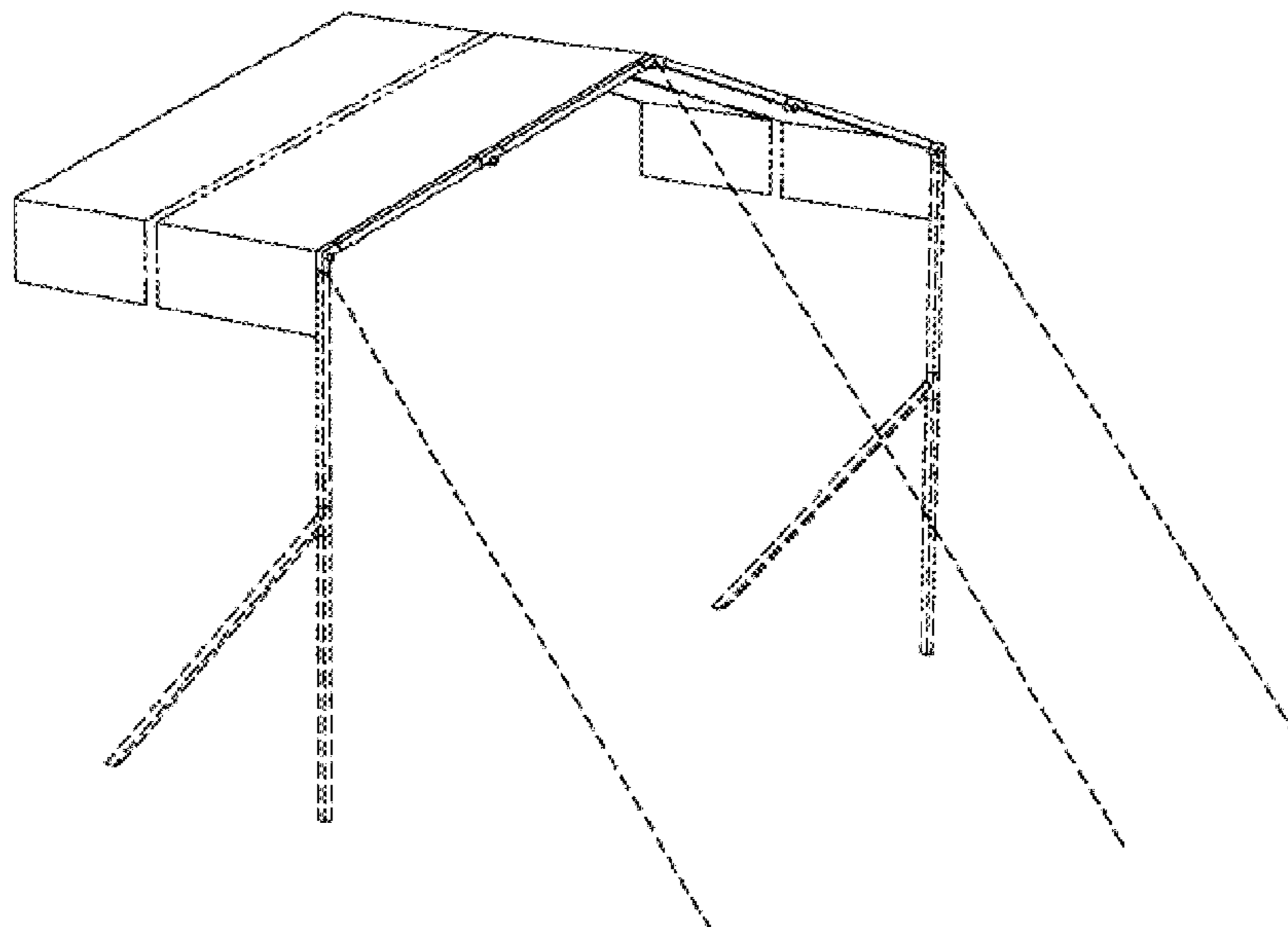
U.S. PATENT DOCUMENTS

- 3,070,107 A \* 12/1962 Beatty ..... E04H 15/003  
135/87
- D565,197 S \* 3/2008 Tung ..... D25/56
- 7,406,977 B1 \* 8/2008 Shires ..... E04H 15/26  
135/115
- D670,003 S \* 10/2012 Lovley, II ..... D25/56
- D683,415 S \* 5/2013 Yurianto ..... D21/839
- D775,369 S \* 12/2016 Lin ..... D25/57
- 10,190,330 B2 \* 1/2019 Barnes ..... E04H 15/32
- 10,753,117 B2 \* 8/2020 Barnes ..... E04H 15/32
- 2011/0108076 A1 \* 5/2011 Connot ..... E04H 15/06  
135/88.05
- 2015/0075577 A1 \* 3/2015 Maginot ..... E04H 15/54  
135/147

FIG. 1 is an upper front perspective view of a shelter of this invention in which a canopy includes a fixed end extending from a frame and has a free end for fluttering in the breeze; FIG. 2 is lower rear perspective view of the shelter of FIG. 1;  
FIG. 3 is front view of the frame of FIG. 1;  
FIG. 4 is a rear view of the frame of FIG. 1;  
FIG. 5 is a top view of the canopy and frame of FIG. 1;  
FIG. 6 is bottom view of the canopy and frame of FIG. 1;  
FIG. 7 is left side view of the canopy and frame of FIG. 1; and,  
FIG. 8 is right side perspective view of the canopy and frame of FIG. 1.

The broken lines depict portions of the shelter that form no part of the claimed design. The dot-dot-dash broken lines depict a symbolic break in the article. The portion between the break lines forms no part of the claimed design.

**1 Claim, 8 Drawing Sheets**



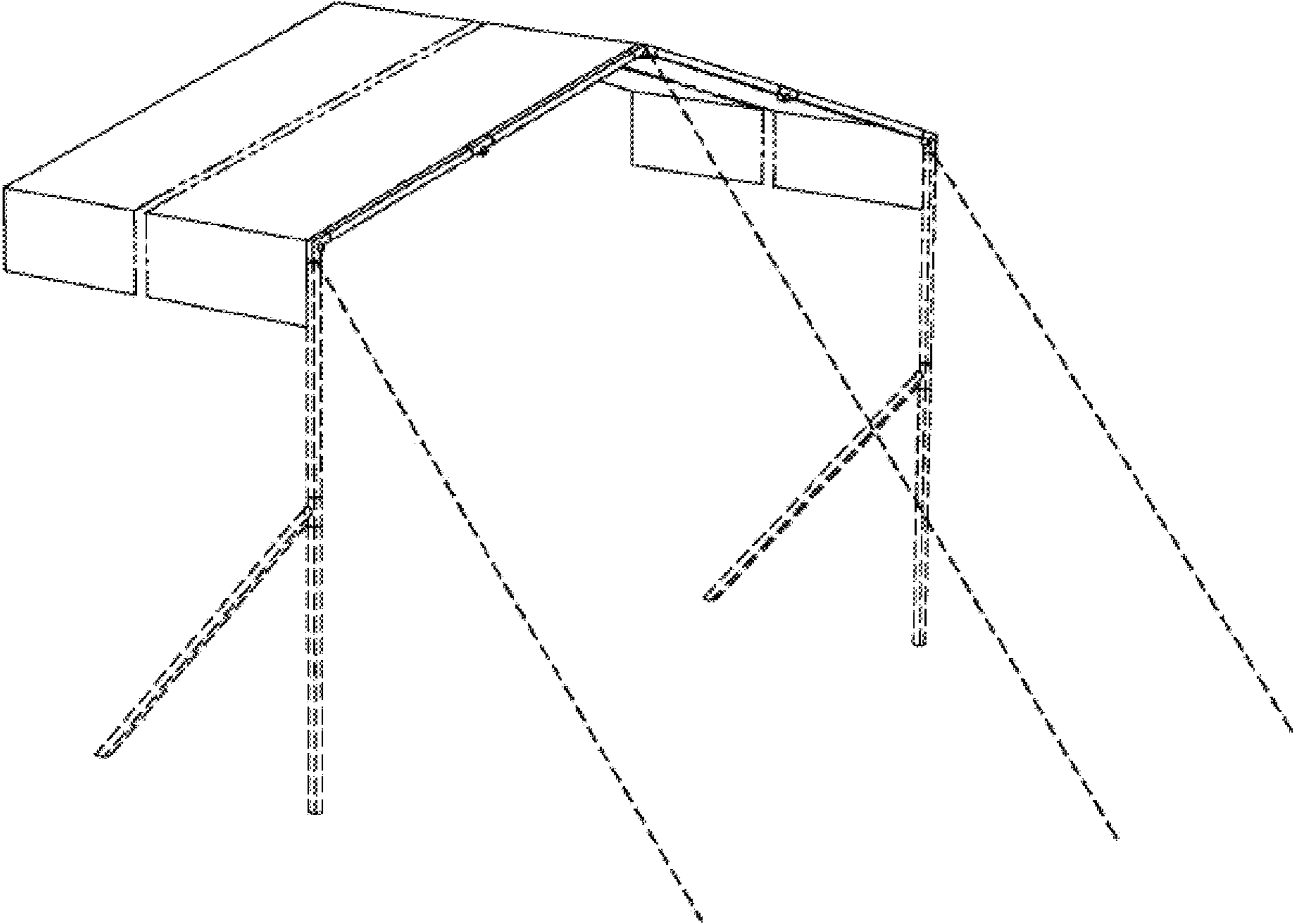


Fig. 1

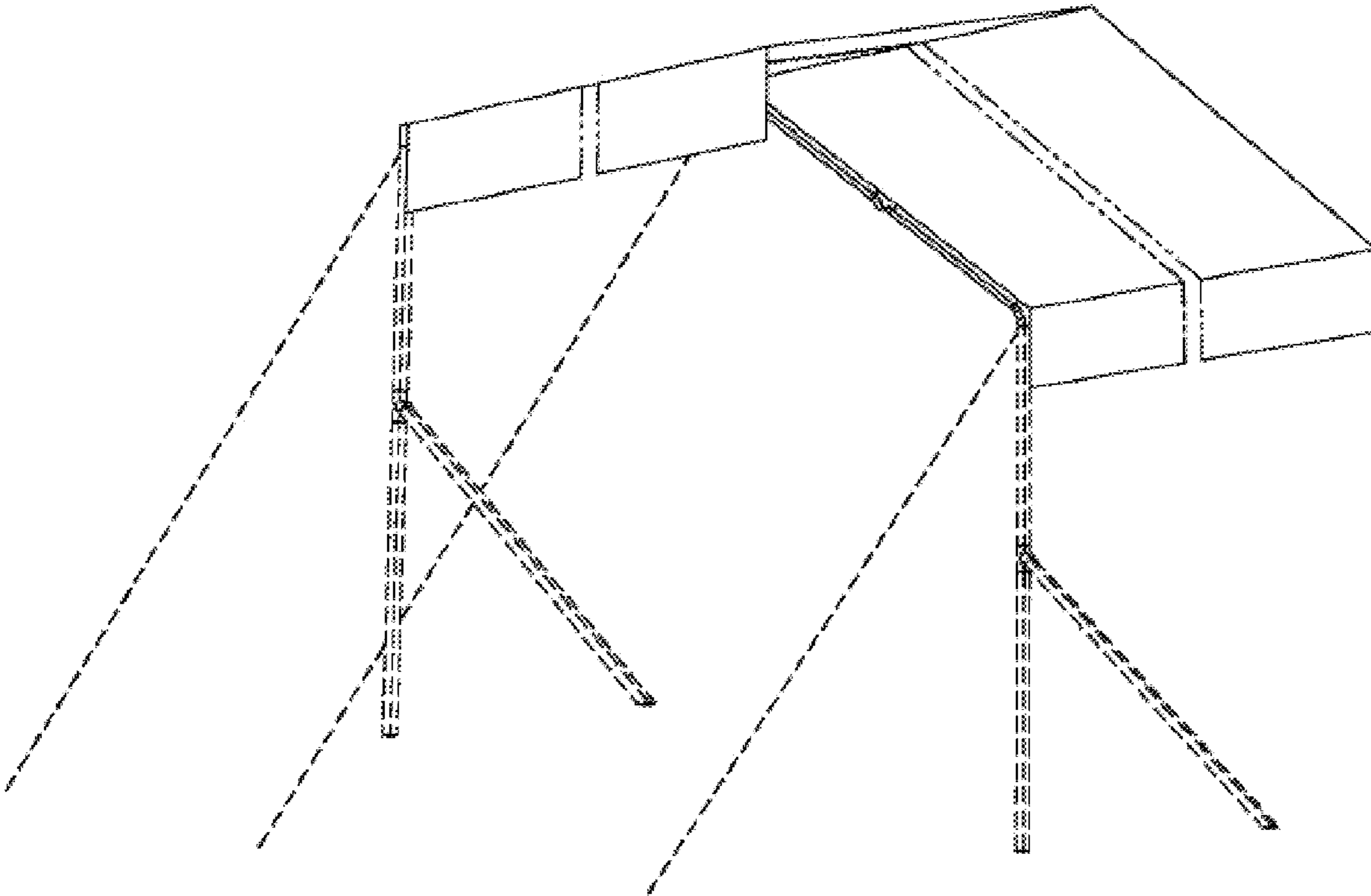


Fig. 2

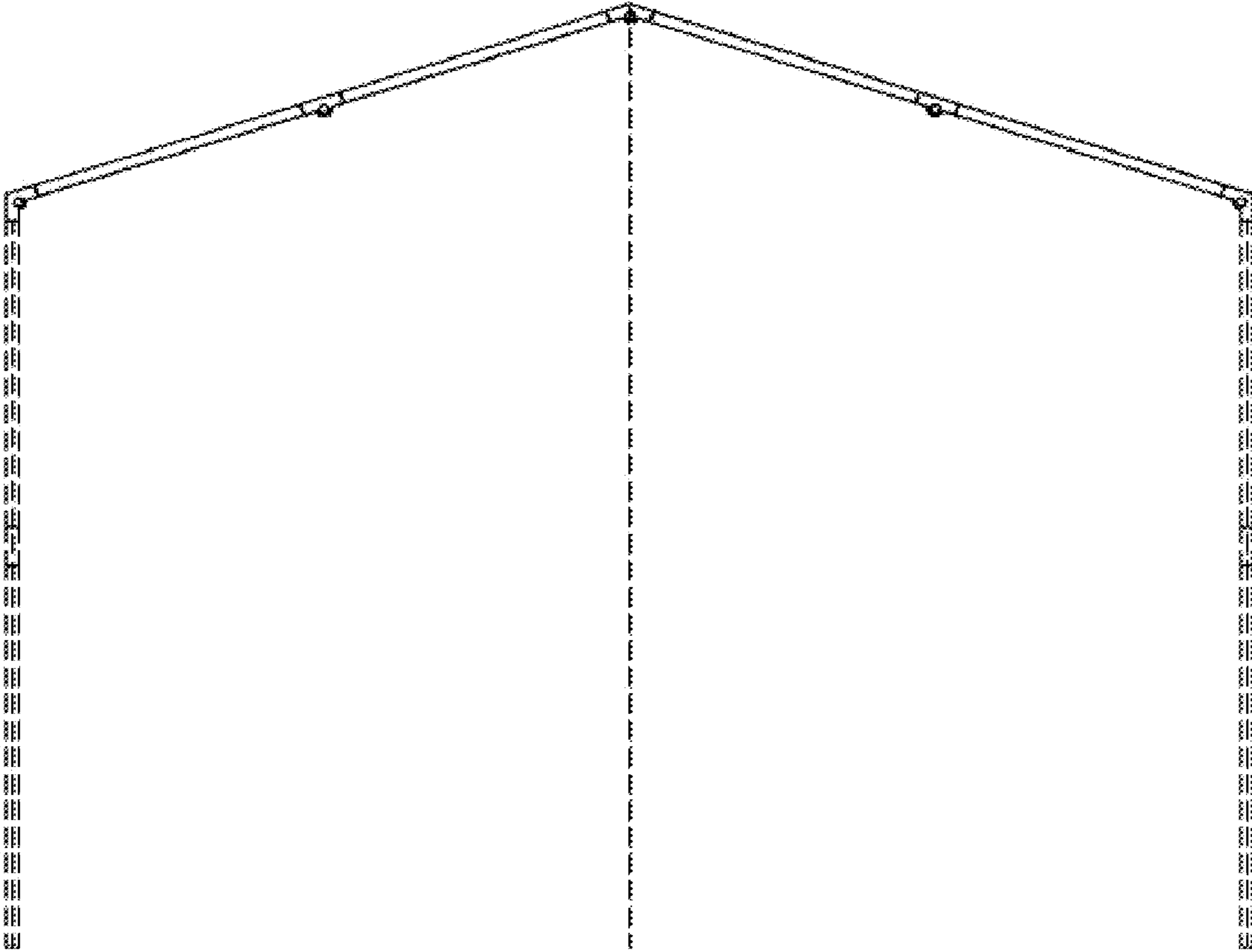


Fig. 3

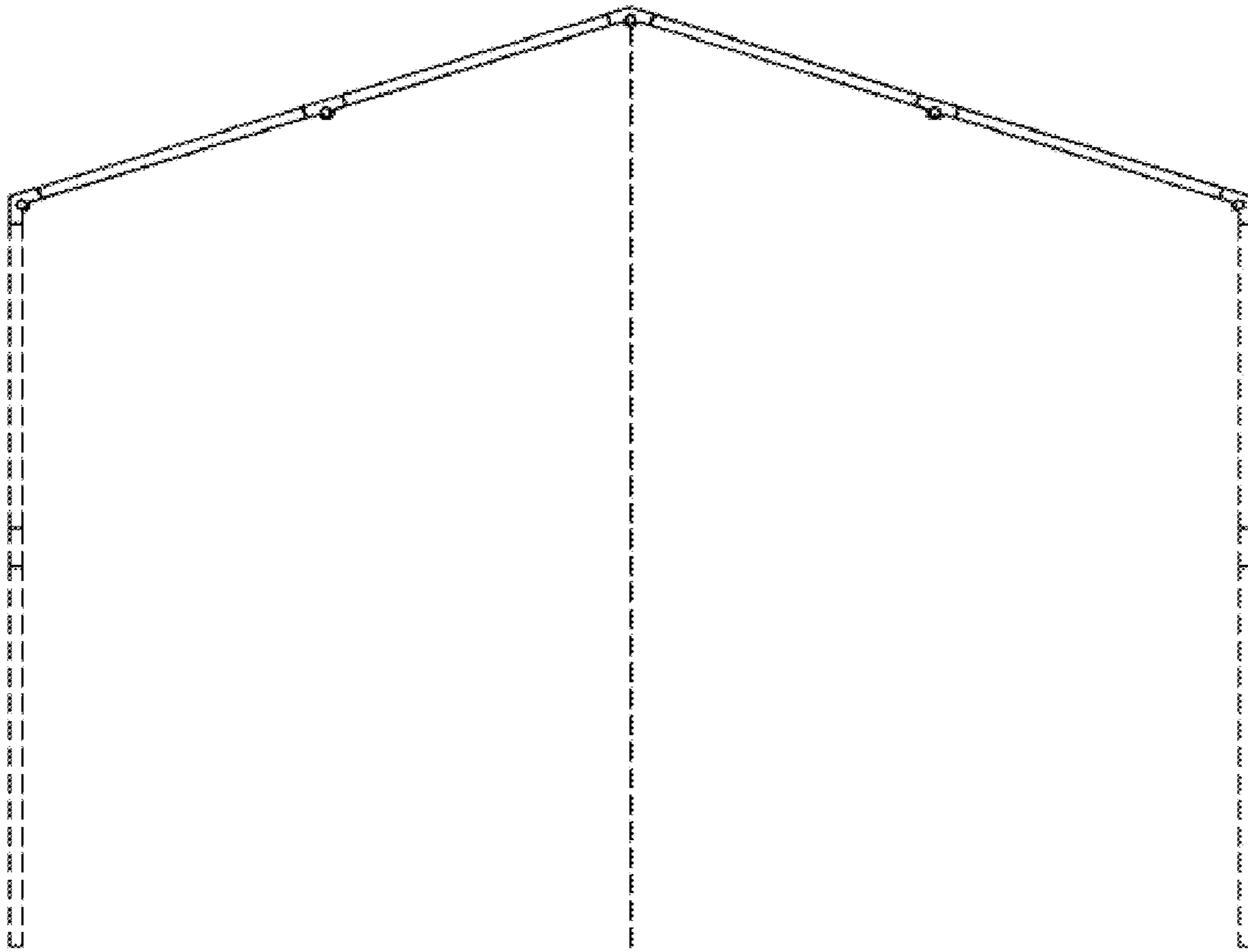


Fig. 4

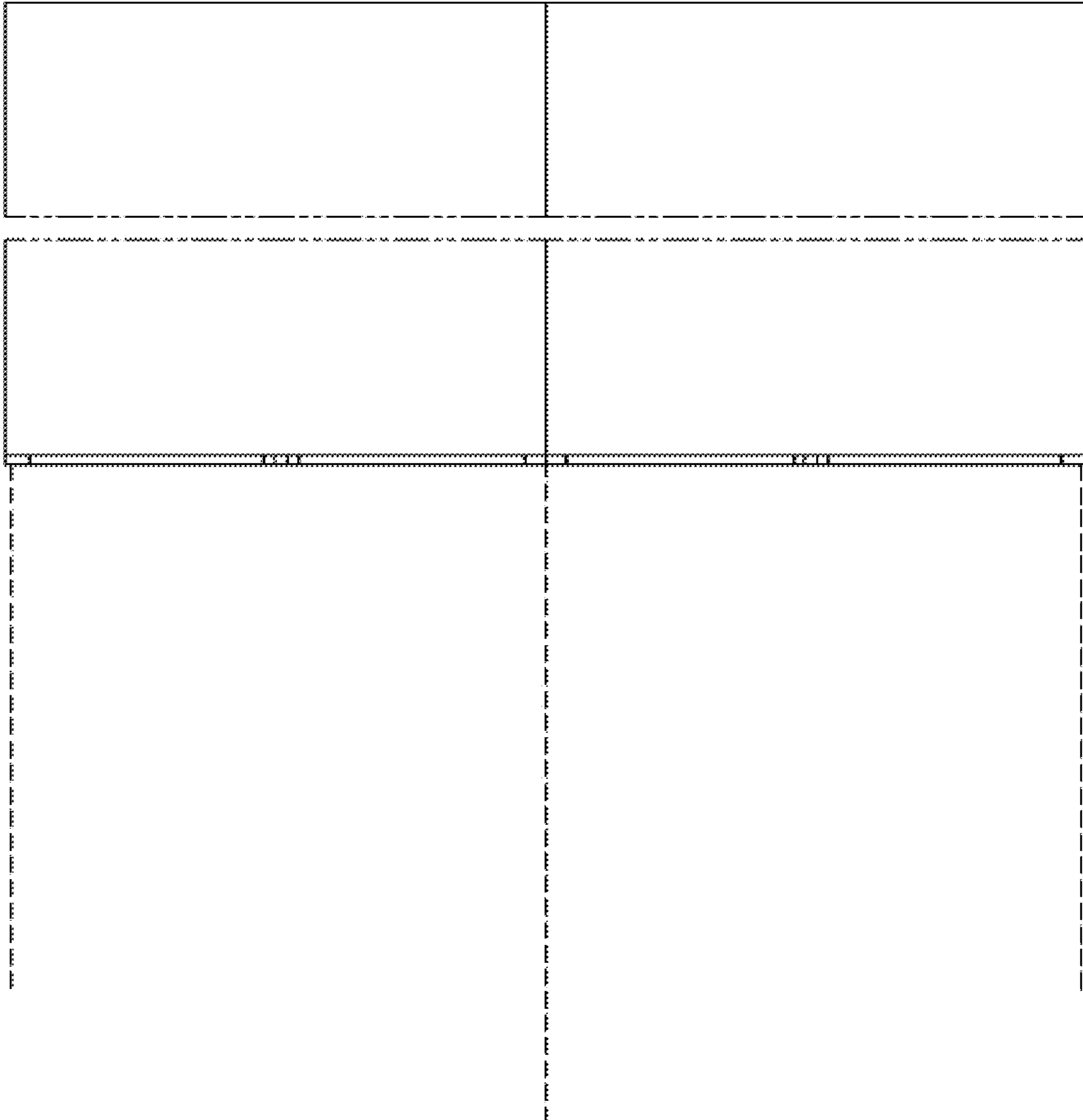


Fig. 5

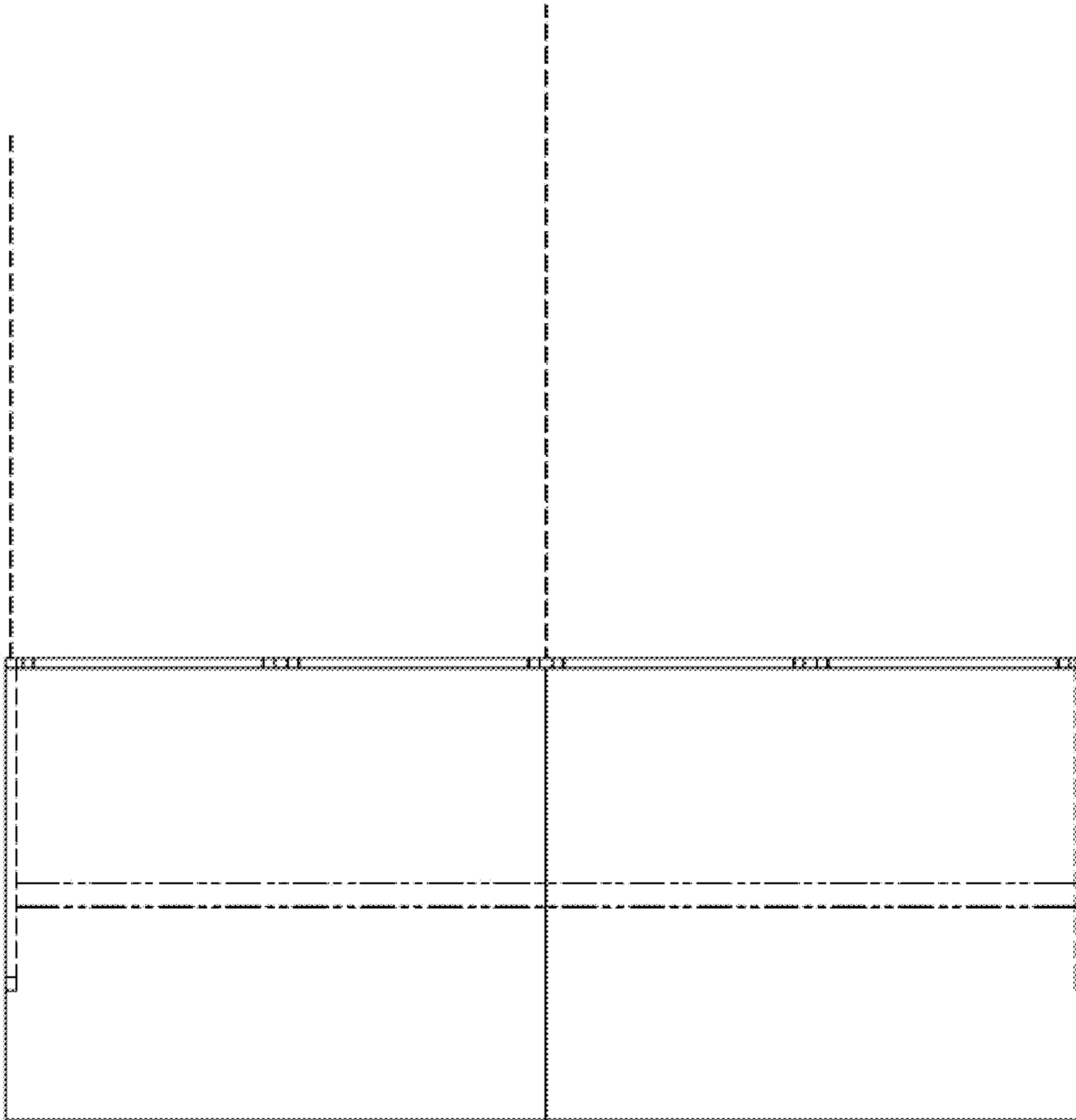


Fig. 6

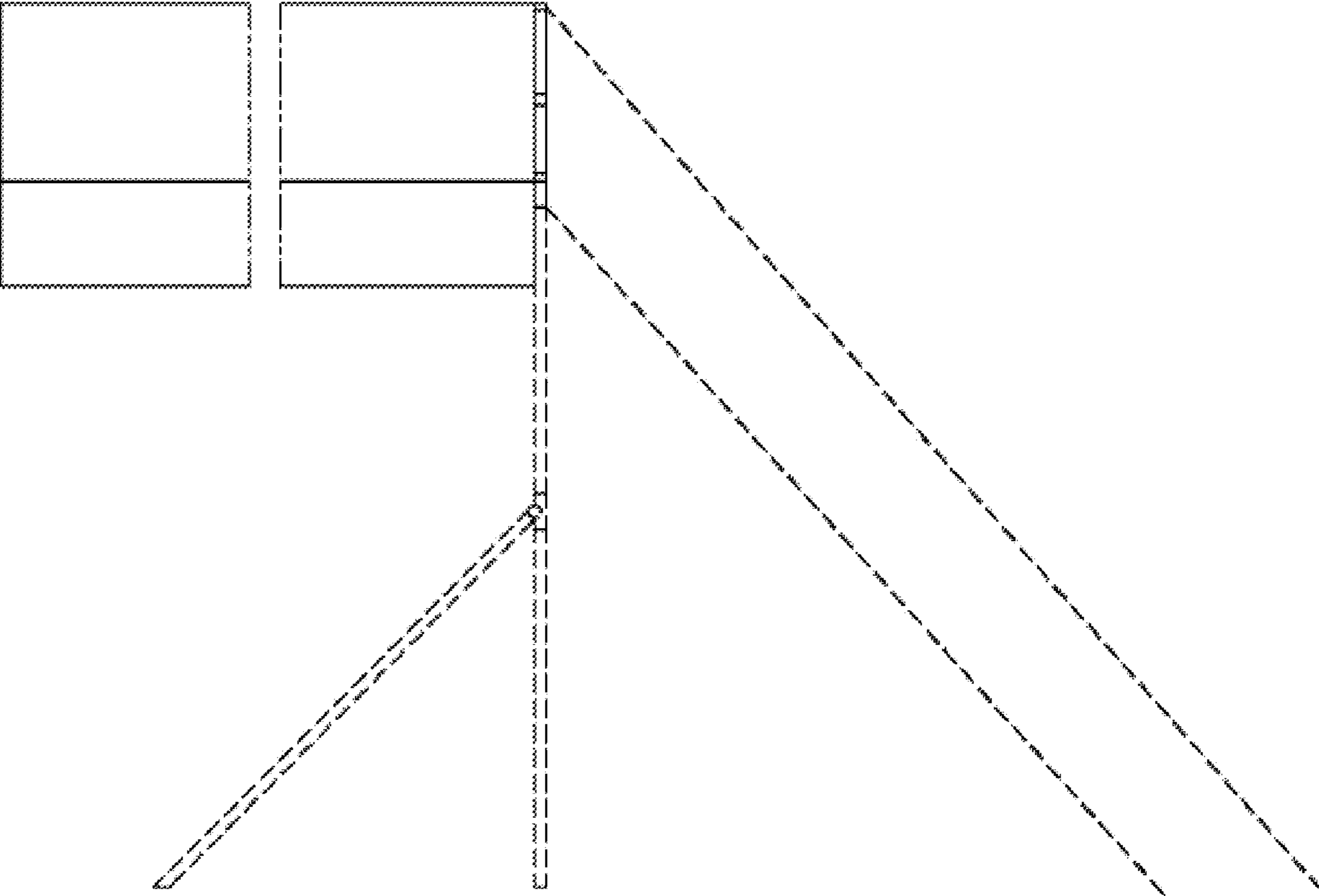


Fig. 7



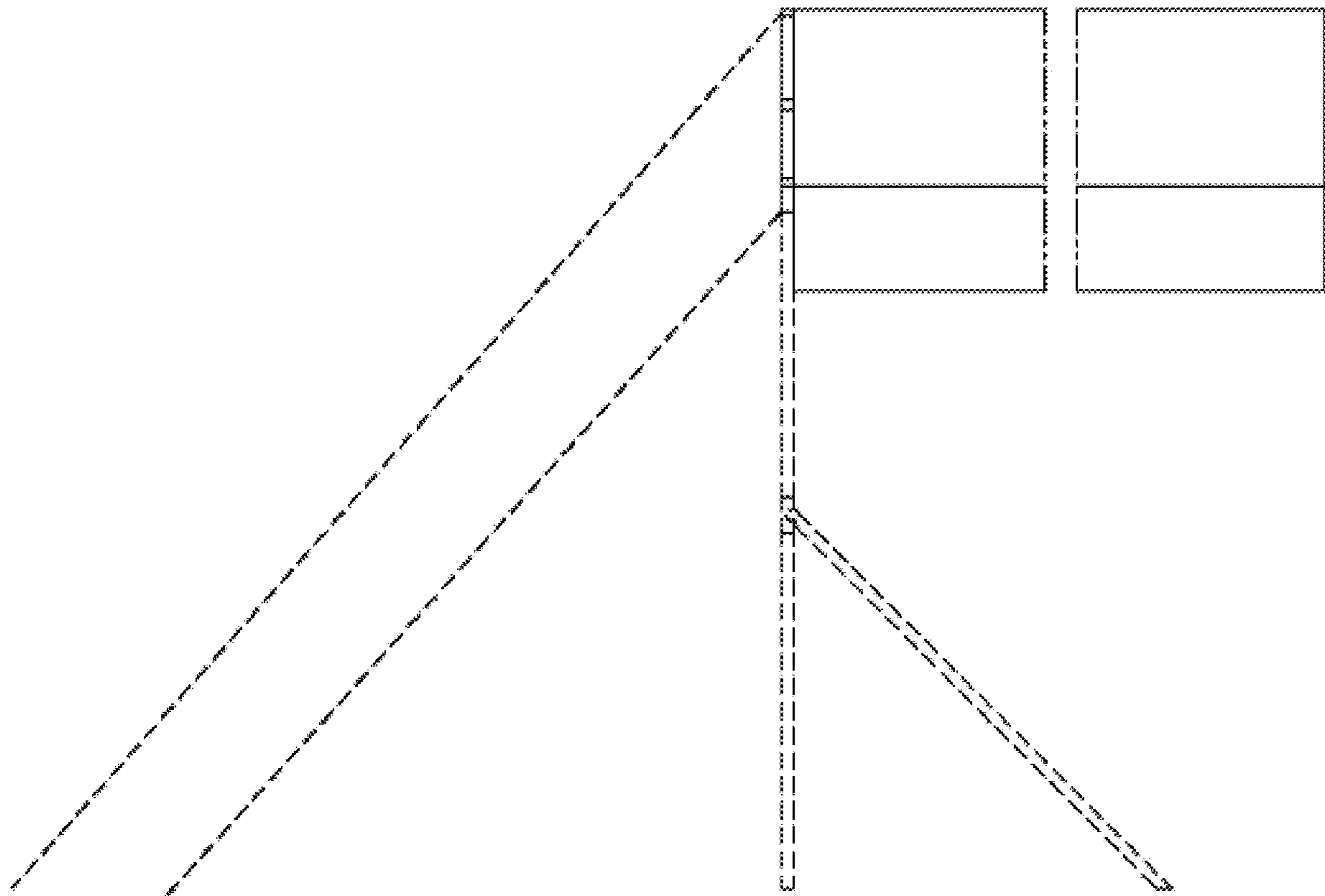


Fig. 8