



US00D945018S

(12) **United States Design Patent** (10) **Patent No.:** **US D945,018 S**
Cai (45) **Date of Patent:** **** Mar. 1, 2022**

(54) **RETRACTABLE GATE**
(71) Applicant: **Changfeng Cai**, Hubei (CN)
(72) Inventor: **Changfeng Cai**, Hubei (CN)
(73) Assignee: **Wuhan Yubong Adhesive Products Co., Ltd.**, Hubei (CN)
(**) Term: **15 Years**
(21) Appl. No.: **29/752,430**
(22) Filed: **Sep. 27, 2020**
(51) **LOC (13) Cl.** **25-02**
(52) **U.S. Cl.**
USPC **D25/48.5**
(58) **Field of Classification Search**
USPC D25/38.1, 39, 48.1, 48.4, 48.5, 48.8
CPC E06B 9/08; E06B 9/60; E06B 9/80; E06B
2009/002; E06B 11/027; E06B 11/04
See application file for complete search history.

2011/0088323 A1* 4/2011 Lundh E06B 9/08
49/57
2019/0218854 A1* 7/2019 Fusco E06B 9/08
2021/0040791 A1* 2/2021 Wang E06B 5/025

FOREIGN PATENT DOCUMENTS

CN 305333568 * 9/2019
EM 000970330-0003 * 1/2011
EM 001867961-0001 * 11/2013

* cited by examiner

Primary Examiner — Leanne Was-Englehart

(57) **CLAIM**

The ornamental design for a retractable gate, as shown and described.

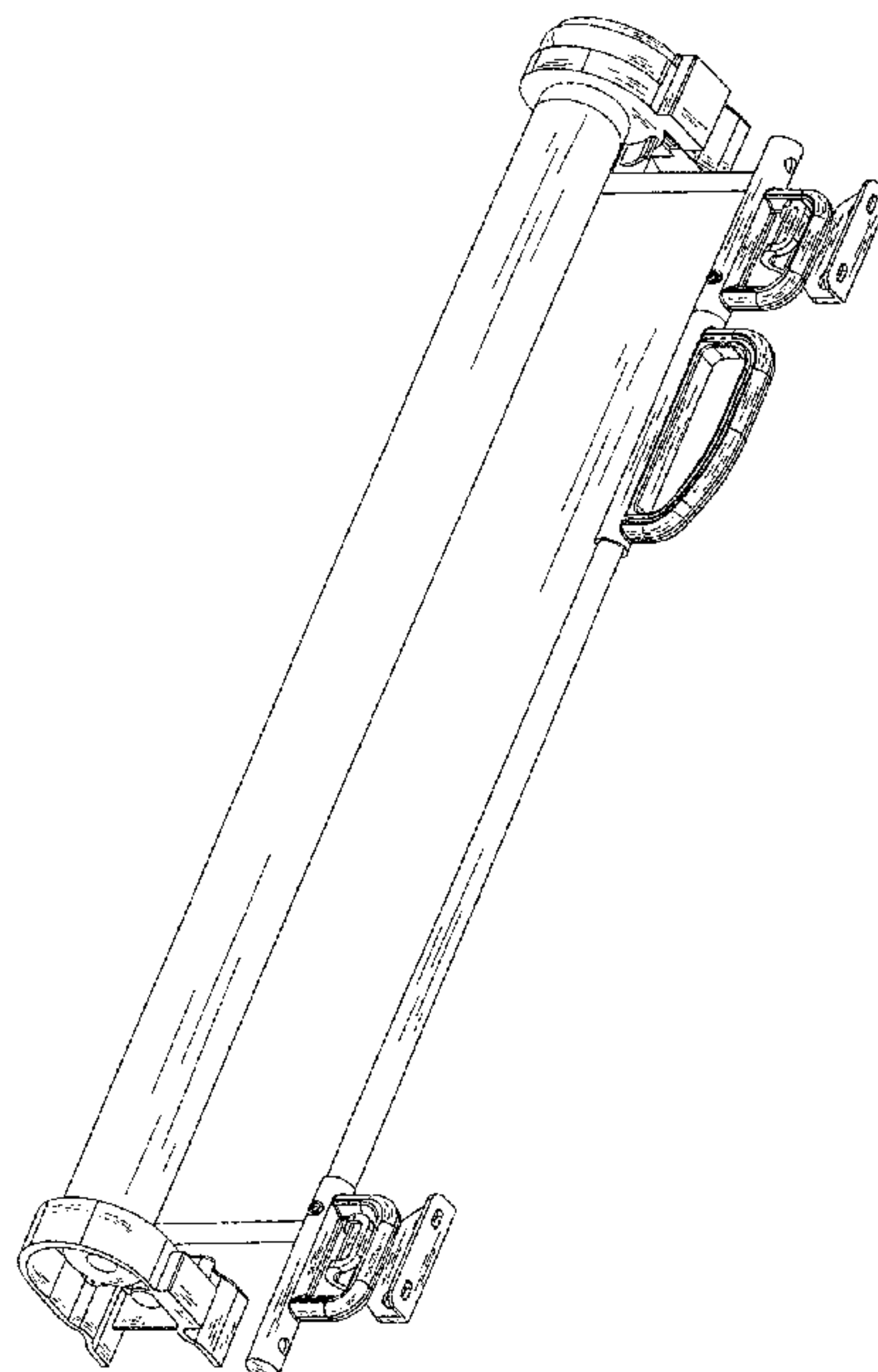
DESCRIPTION

FIG. 1 is a perspective view of a retractable gate showing my new design;
FIG. 2 is a front elevation view thereof;
FIG. 3 is a rear elevation view thereof;
FIG. 4 is a left side elevation view thereof;
FIG. 5 is a right side elevation view thereof;
FIG. 6 is a top plan view thereof;
FIG. 7 is a bottom plan view thereof;
FIG. 8 is a rear, left perspective view thereof;
FIG. 9 is a perspective view thereof, showing the retractable gate in unfolded state;
FIG. 10 is in FIG. 9; and,
FIG. 11 is in FIG. 9.
The broken lines depict portions of the retractable gate that form no part of the claimed design.

1 Claim, 11 Drawing Sheets

(56) **References Cited**
U.S. PATENT DOCUMENTS

D338,609 S	8/1993	Ryan	
D384,752 S	10/1997	Scherer et al.	
D502,551 S	3/2005	Hotaling et al.	
D620,129 S *	7/2010	Lundh	D25/48.5
D621,957 S *	8/2010	Lundh	D25/48.5
D666,307 S	8/2012	Lundh	
D867,617 S	11/2019	Galla	
D867,618 S	11/2019	Galla	
D867,619 S	11/2019	Galla	
D872,874 S	1/2020	Roberts	
D927,016 S *	8/2021	Su	D25/48.5
2008/0121352 A1 *	5/2008	Cheng	E06B 9/08 160/238
2008/0121354 A1 *	5/2008	Cheng	E06B 9/80 160/290.1



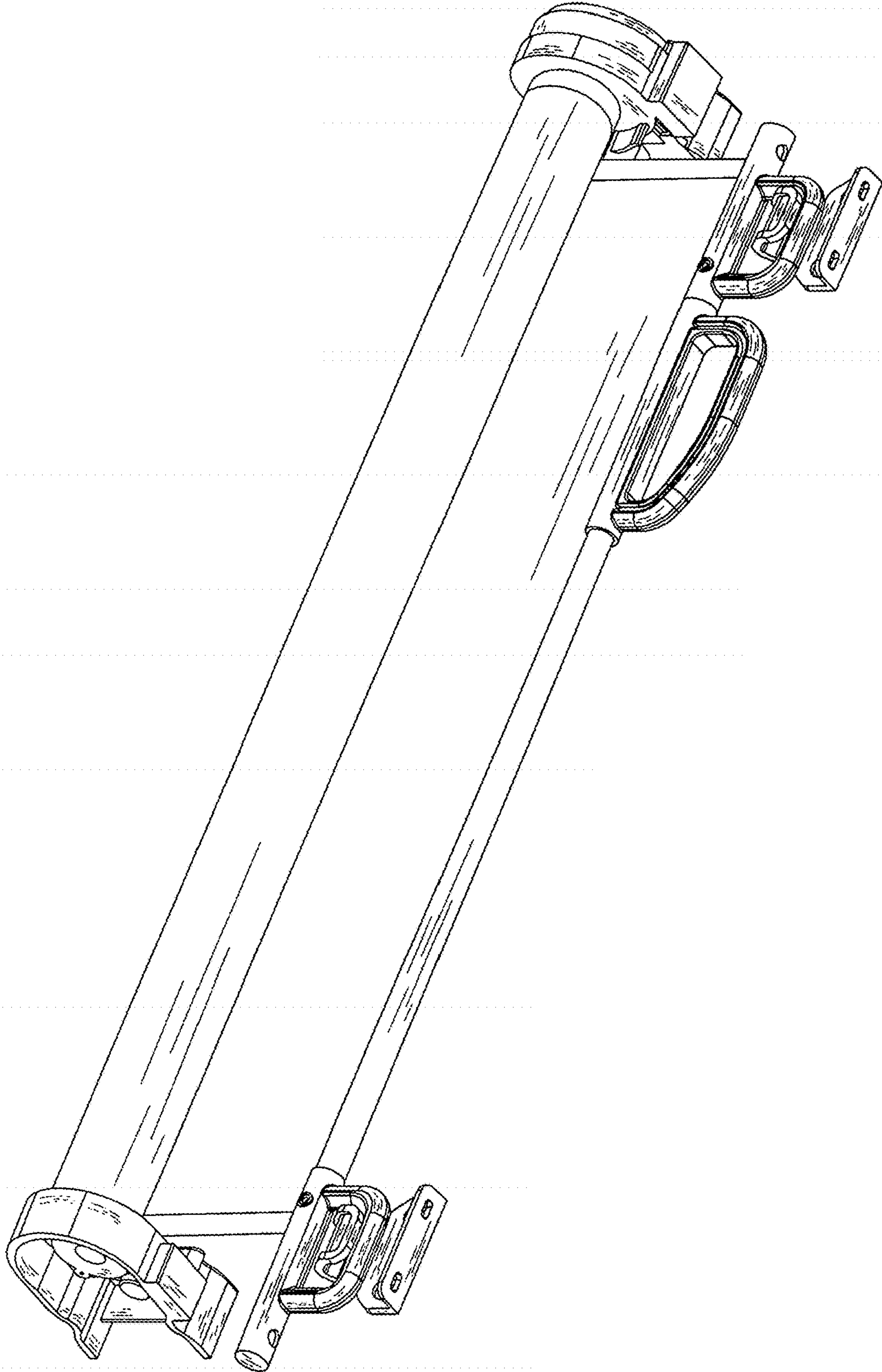


FIG. 1

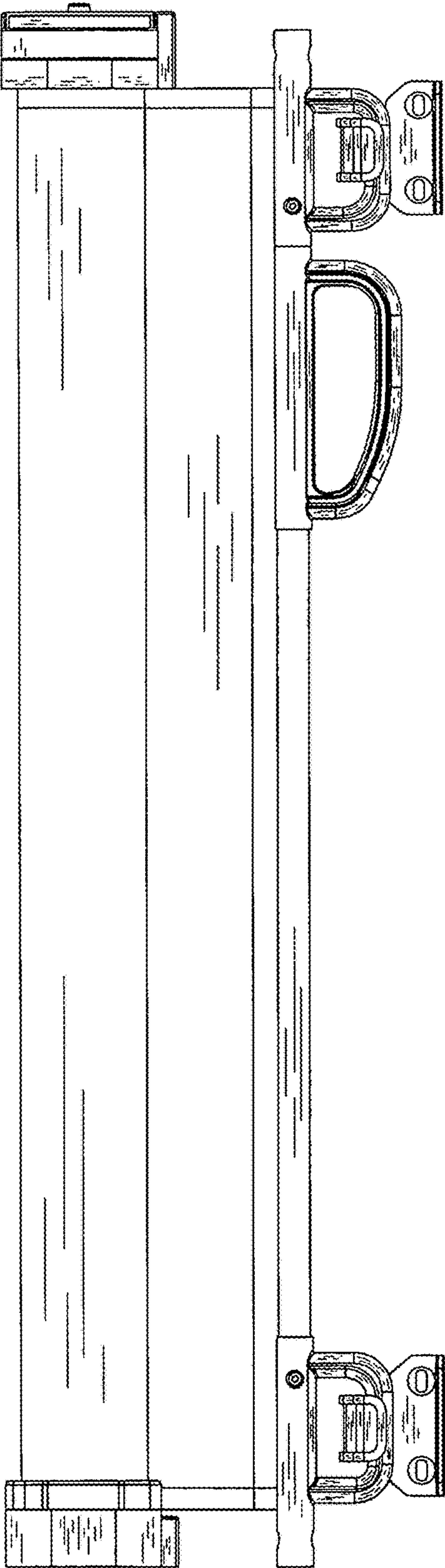


FIG. 2

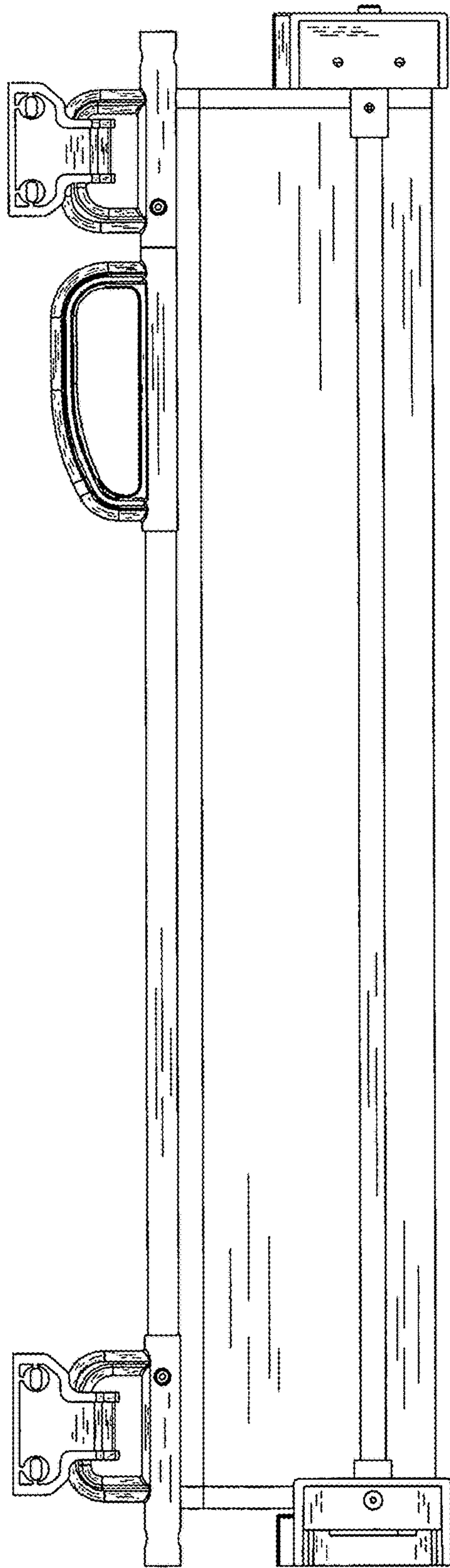


FIG. 3

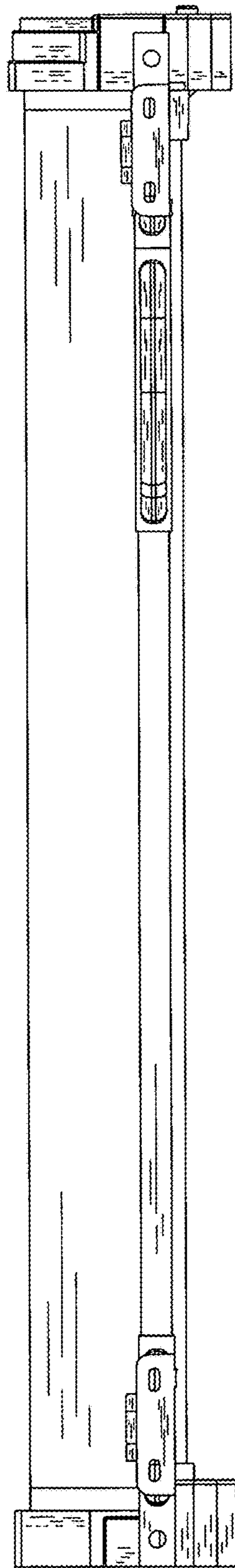


FIG. 4

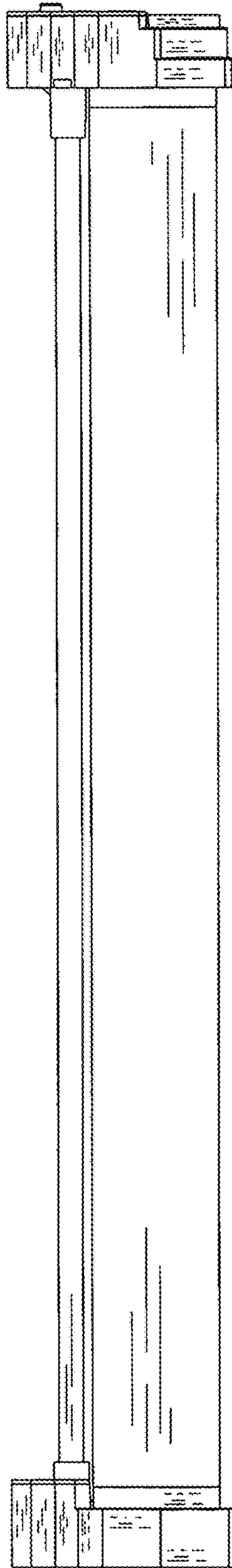


FIG. 5

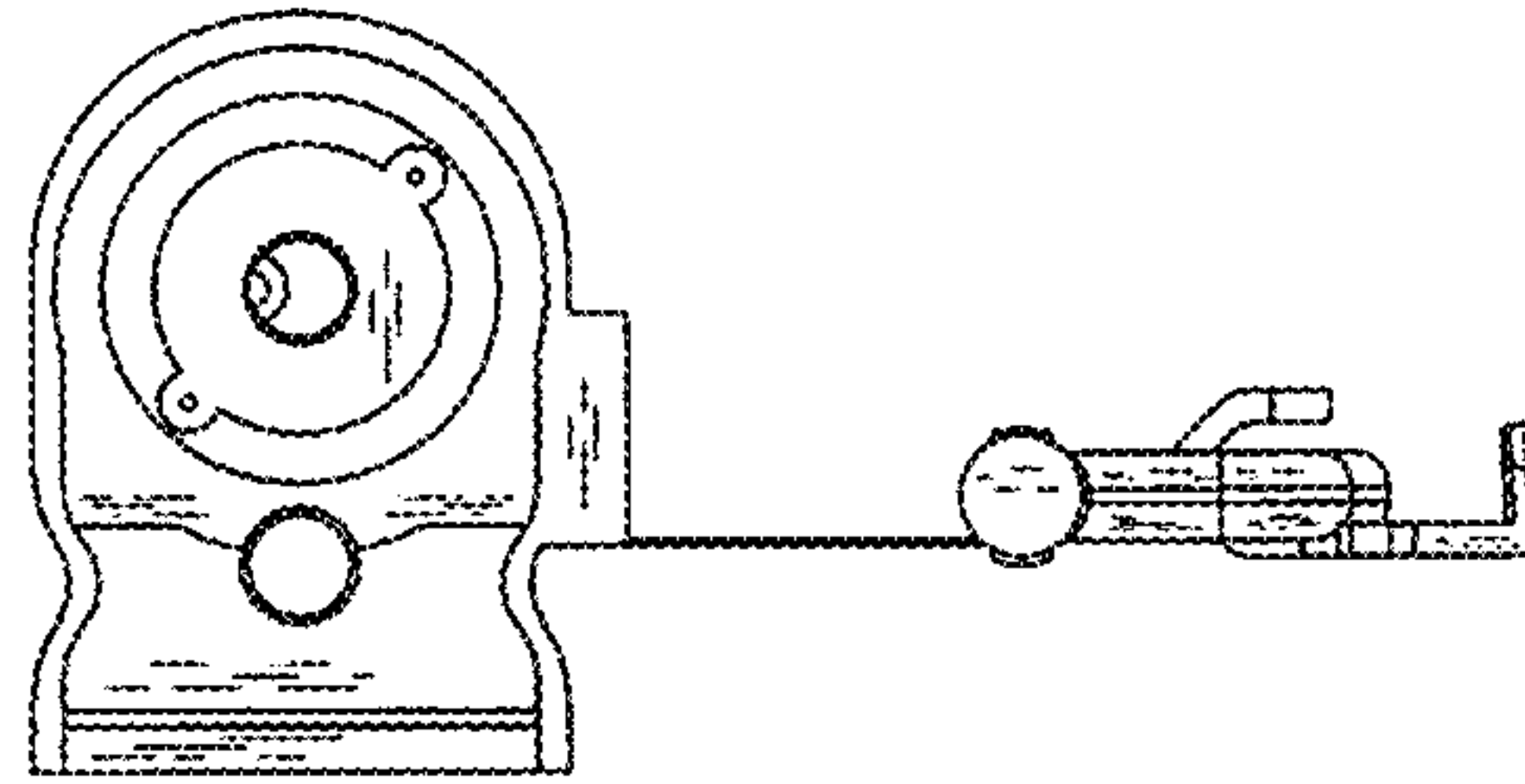


FIG. 6

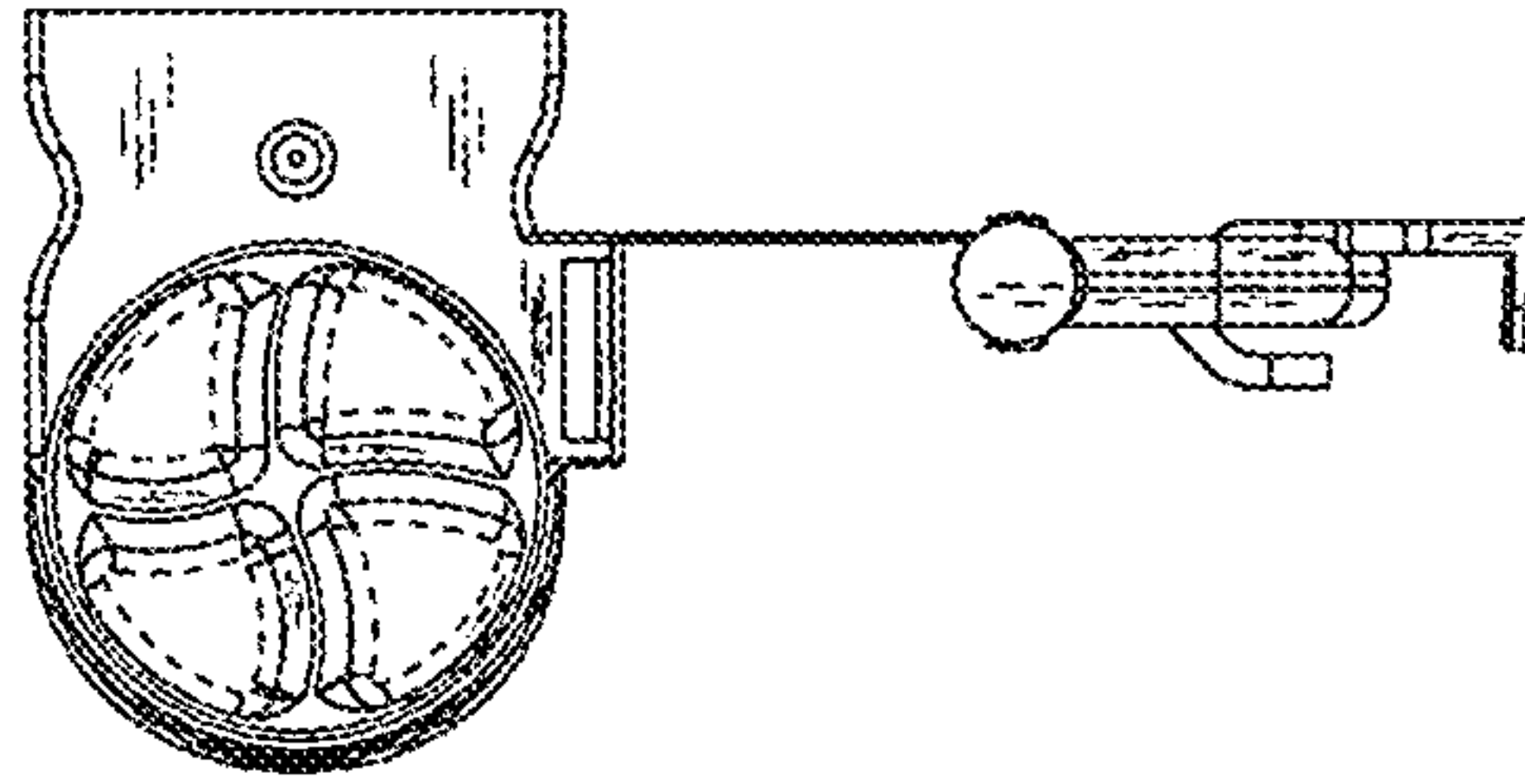


FIG. 7

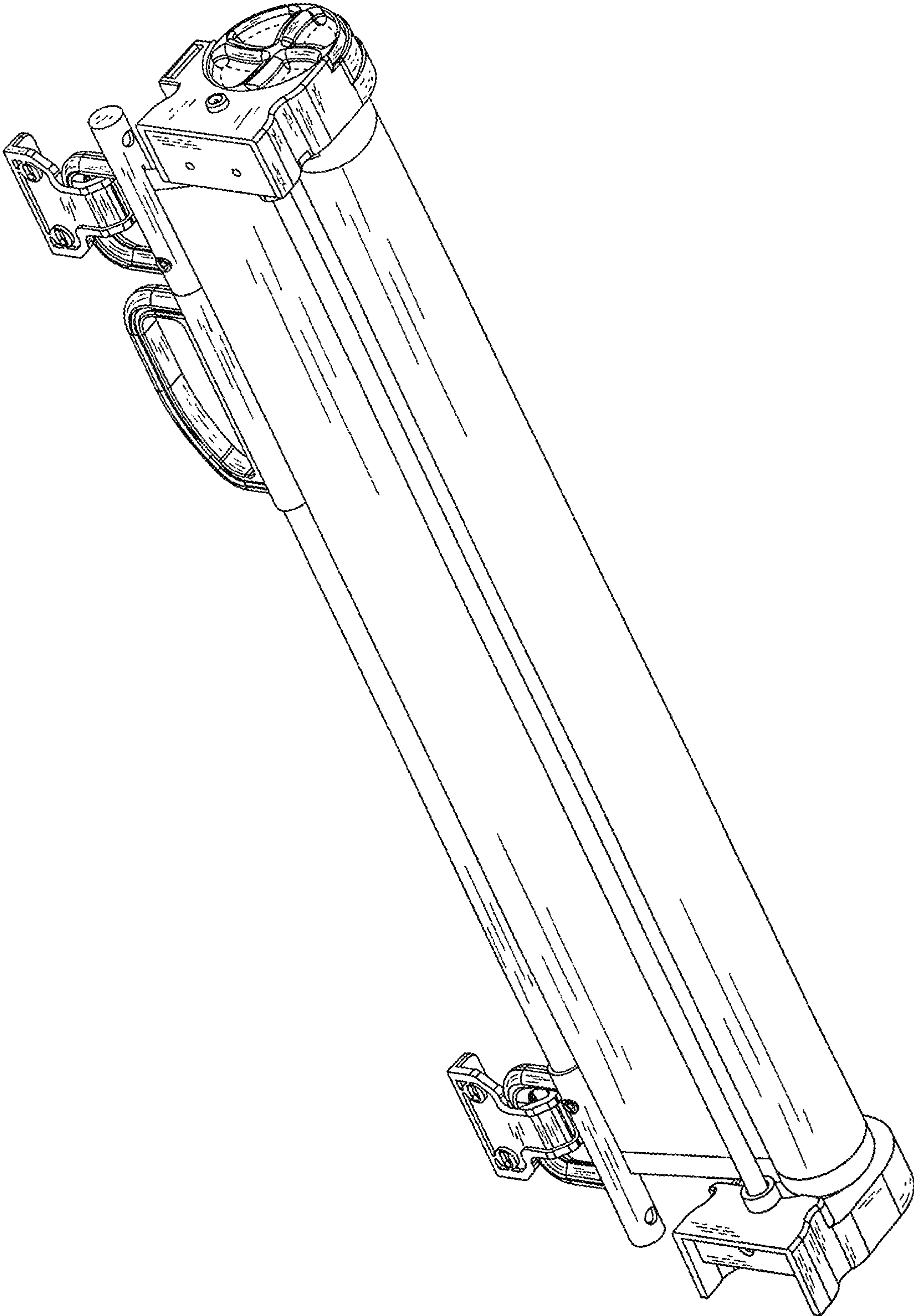


FIG. 8

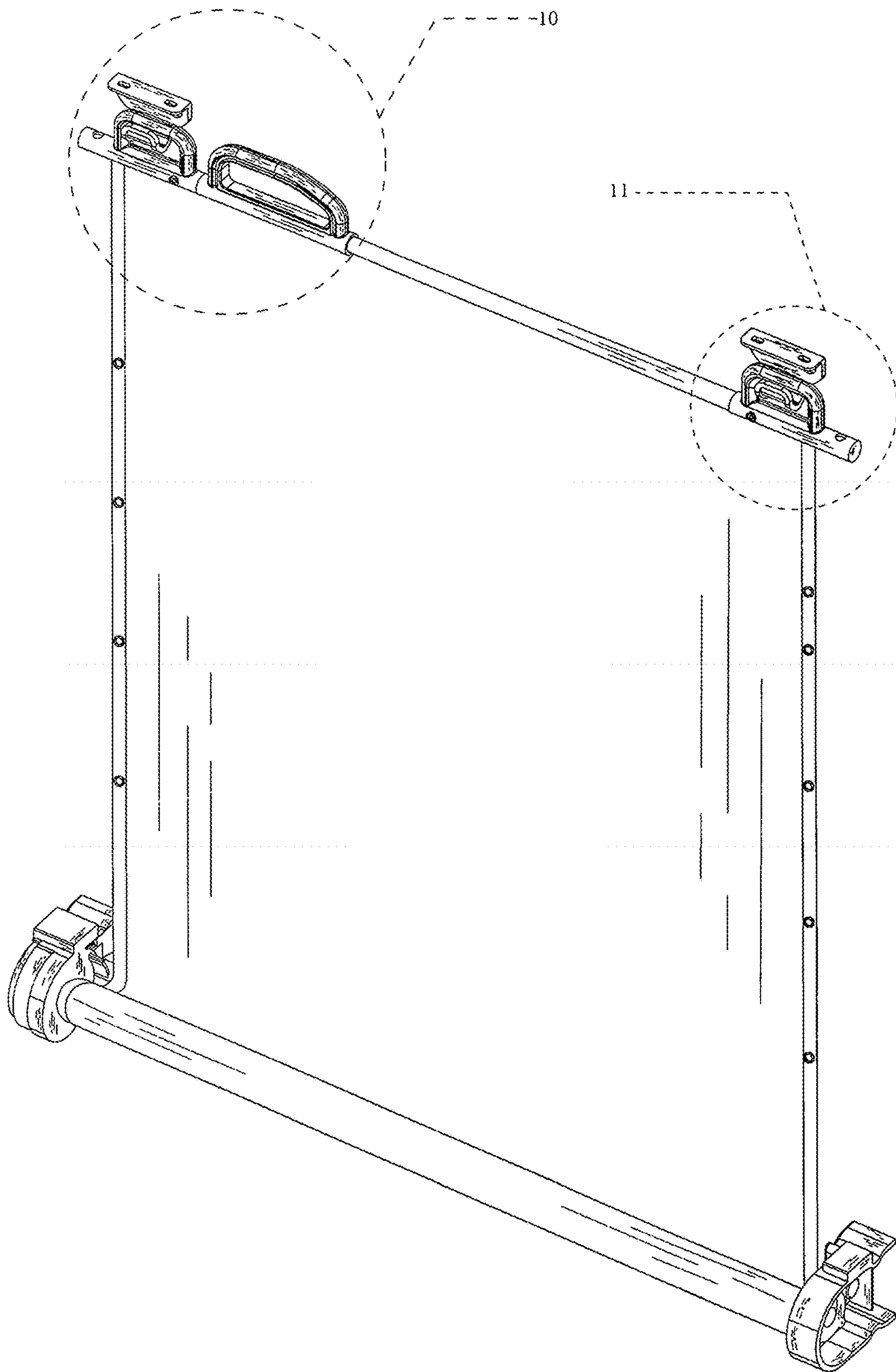


FIG. 9

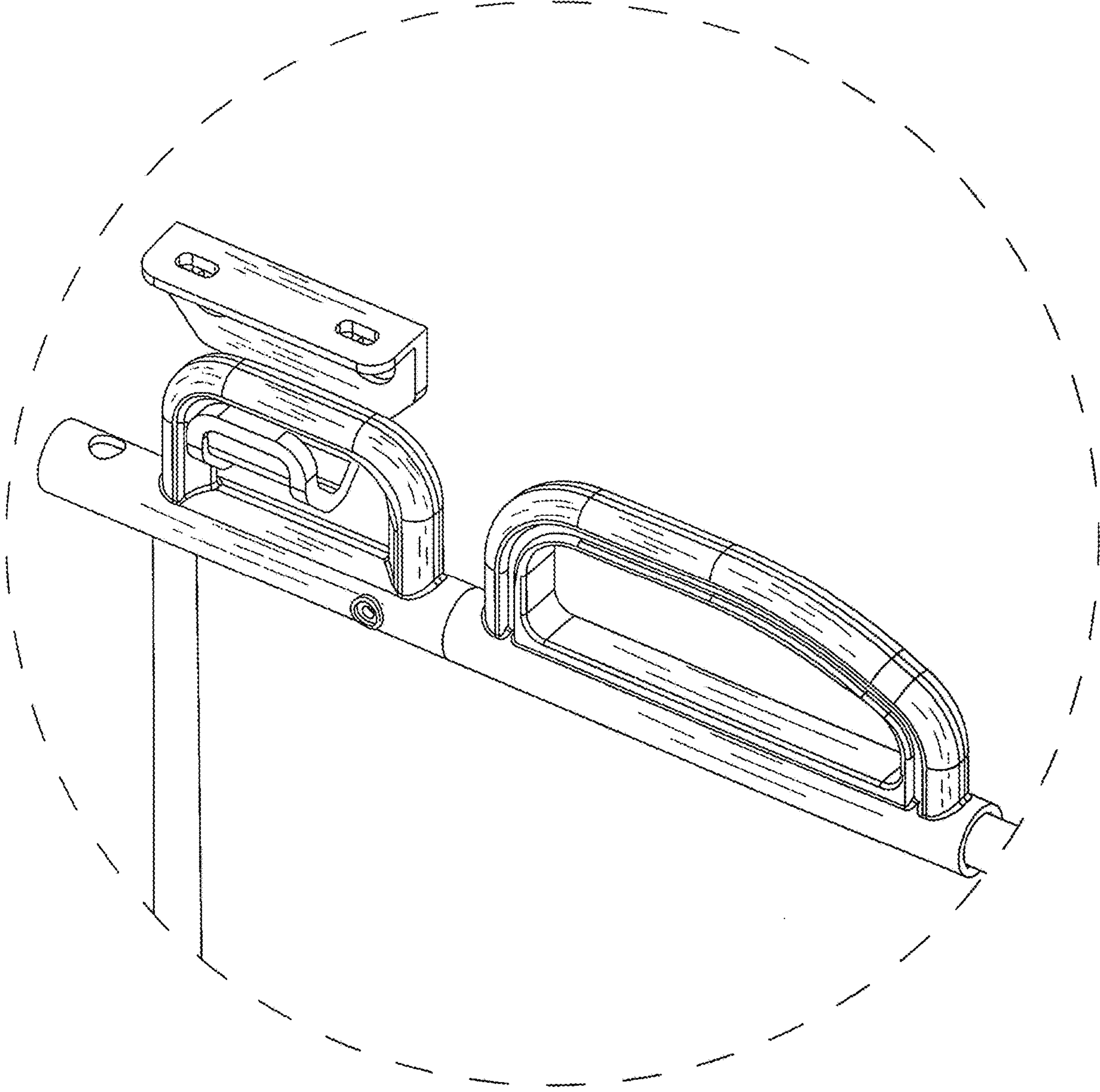


FIG. 10

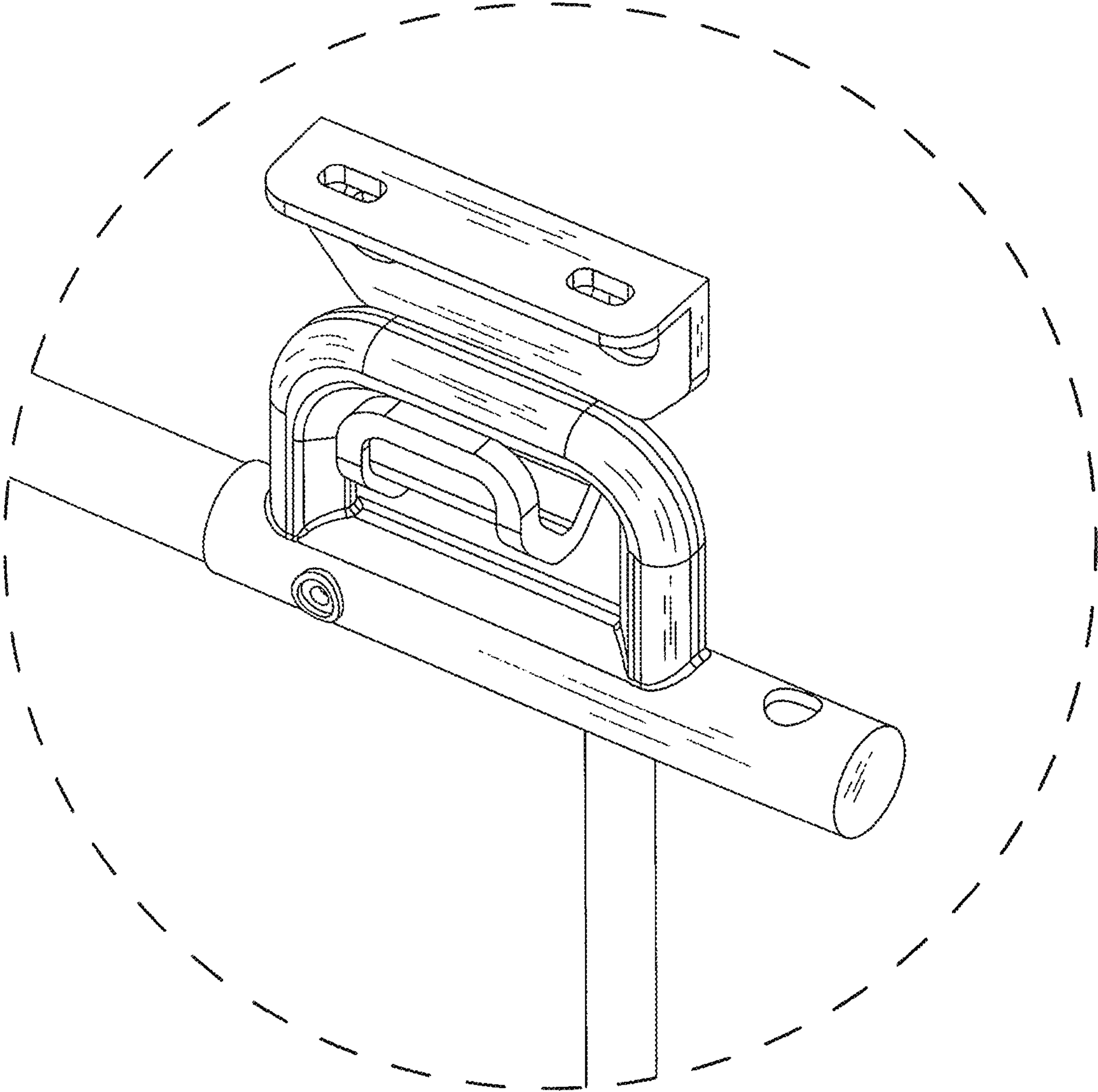


FIG. 11