

US00D945017S

(12) **United States Design Patent**
Yang et al.

(10) **Patent No.:** **US D945,017 S**
(45) **Date of Patent:** **** Mar. 1, 2022**

(54) **BABY GATE**
(71) Applicant: **Zhongshan Jinlang Daily Products Co., Ltd, Zhongshan (CN)**
(72) Inventors: **Xiaozhou Yang, Zhongshan (CN); Xingxing Zhang, Zhongshan (CN)**

2013/0221304 A1* 8/2013 Wang E05F 7/02
256/73
2017/0058594 A1* 3/2017 Marsden E06B 9/04
2019/0078353 A1* 3/2019 Gentil E06B 11/022
2019/0145127 A1* 5/2019 Flannery E06B 9/04
49/465
2019/0234139 A1* 8/2019 Flannery E06B 11/022
2021/0172222 A1* 6/2021 Wang E05C 1/14

(**) Term: **15 Years**
(21) Appl. No.: **29/732,963**
(22) Filed: **Apr. 29, 2020**

FOREIGN PATENT DOCUMENTS

CN 304210061 * 7/2017
CN 305680956 * 4/2020
CN 306219049 * 12/2020

* cited by examiner

(30) **Foreign Application Priority Data**

Oct. 29, 2019 (CN) 201930590504.7

(51) **LOC (13) Cl.** **25-02**

(52) **U.S. Cl.**
USPC **D25/48.5**

(58) **Field of Classification Search**
USPC D25/48.1, 48.3, 48.5
CPC E06B 11/02; E06B 11/023; E06B 3/36;
E06B 9/00; E06B 9/04; E06B 9/06; E05B
13/002; E05B 65/0007; E05B 65/0014;
E05B 15/101; A47D 13/065; E04H 17/00
See application file for complete search history.

Primary Examiner — Leanne Was-Englehart

(57) **CLAIM**

The ornamental design for a baby gate, as shown and described.

(56) **References Cited**

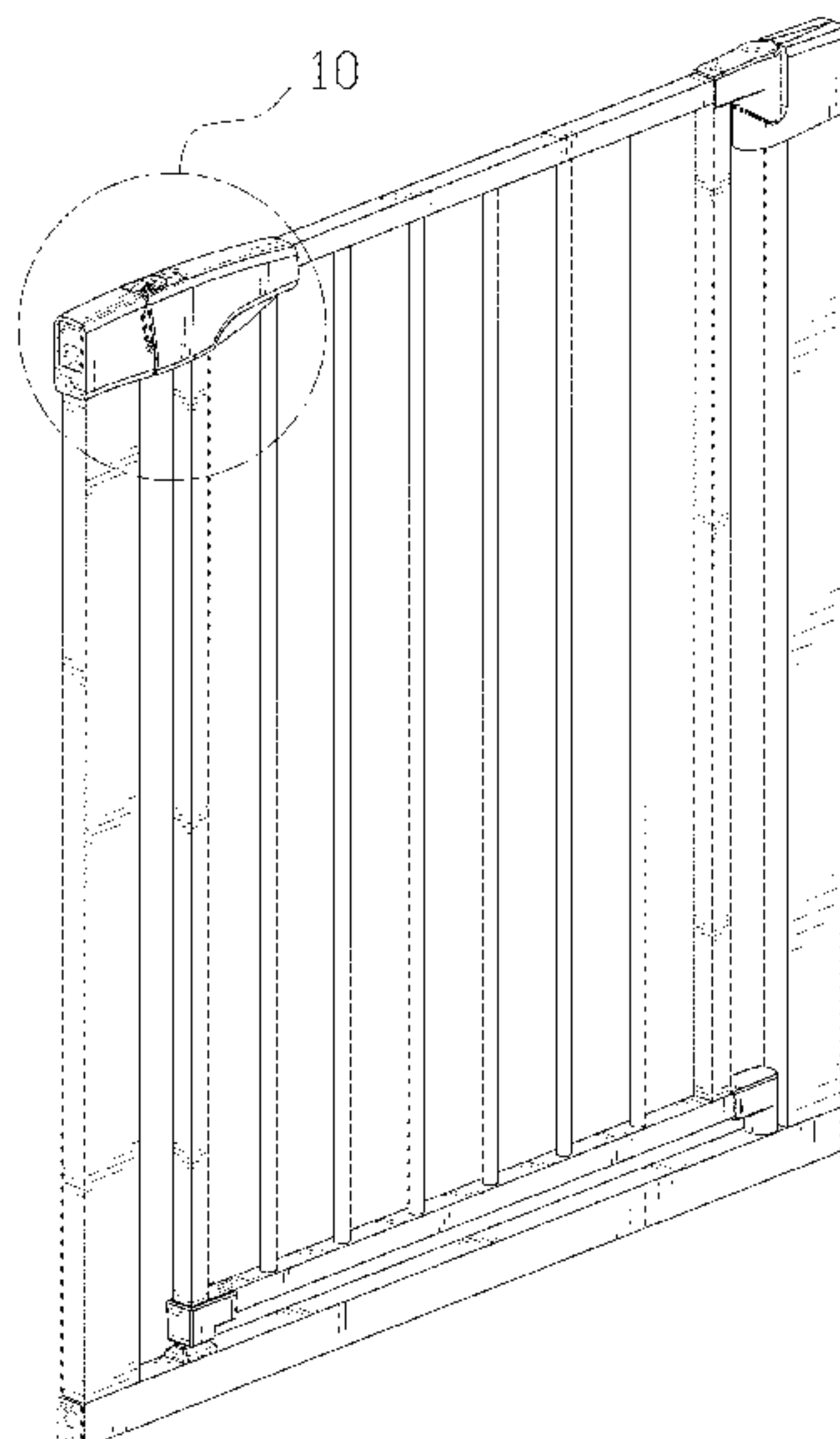
U.S. PATENT DOCUMENTS

D397,448 S * 8/1998 Brevi D25/48.5
D583,070 S * 12/2008 Lai D25/48.5
7,540,046 B1 * 6/2009 Lai A47D 13/065
256/26
D626,661 S * 11/2010 Bertsch D25/48.5
D665,511 S * 8/2012 Bertsch D25/48.5
8,615,928 B2 * 12/2013 Wang E04H 17/00
49/226
10,683,700 B2 * 6/2020 Wang E05B 65/0014
11,041,340 B1 * 6/2021 Flannery E05B 65/0014
2013/0125470 A1 * 5/2013 Dunn E06B 1/52
49/381

DESCRIPTION

FIG. 1 is a rear and top perspective view of a baby gate, showing our new design;
FIG. 2 is a front and bottom perspective view thereof;
FIG. 3 is a front elevational view thereof;
FIG. 4 is a rear elevational view thereof;
FIG. 5 is a left side elevational view thereof;
FIG. 6 is a right side elevational view thereof;
FIG. 7 is a top plan view thereof;
FIG. 8 is a bottom plan view thereof;
FIG. 9 is a perspective view thereof, showing the baby gate in an open position; and,
FIG. 10 is an enlarged view of a portion indicated in FIG. 1. The broken lines in the figures illustrate portions of the article that form no part of the claimed design. The dash dot dash lines in FIGS. 1 and 10 are for the purpose of depicting the cut line of the enlarged view and form no part of the claim.

1 Claim, 10 Drawing Sheets



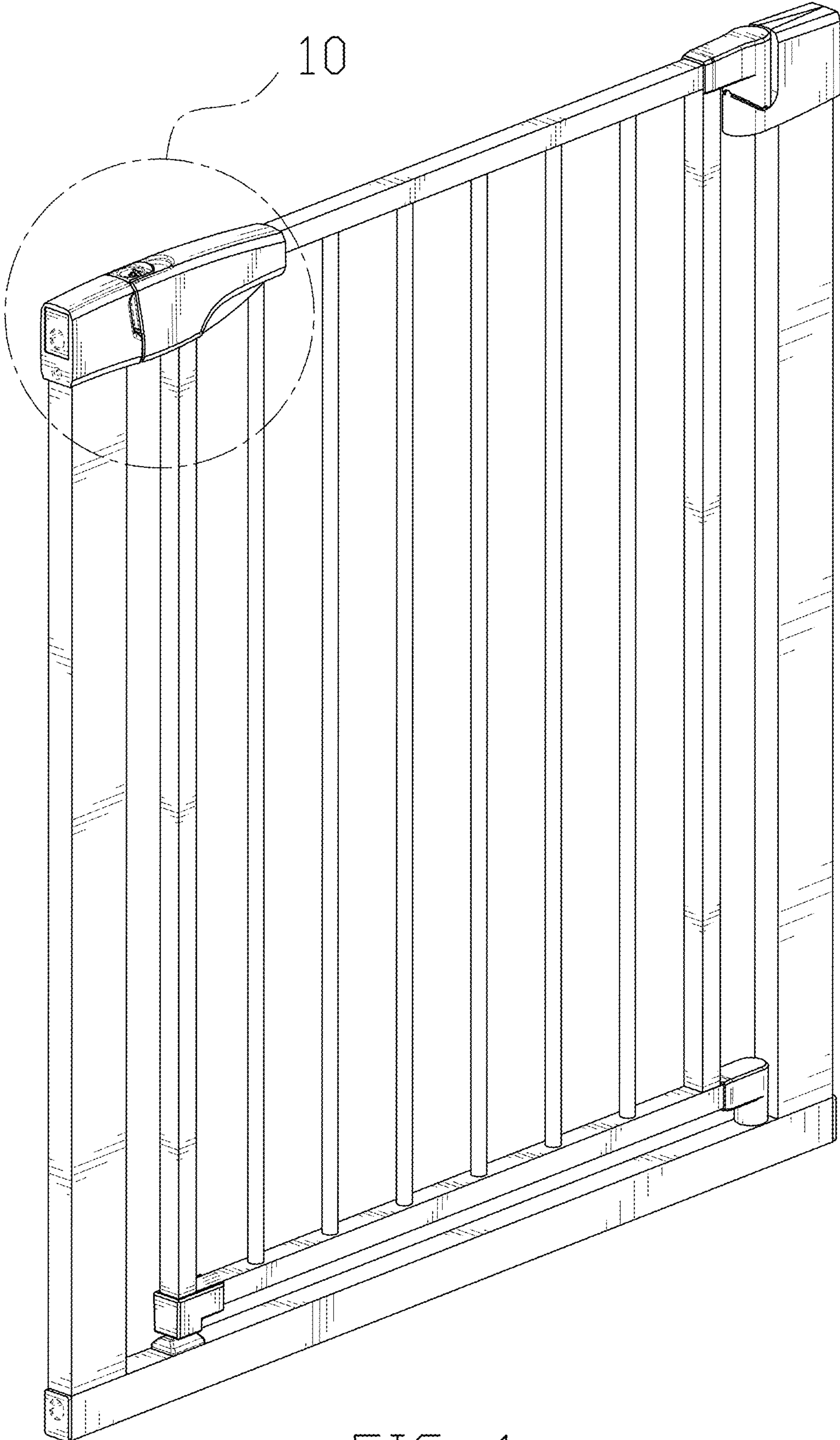


FIG. 1

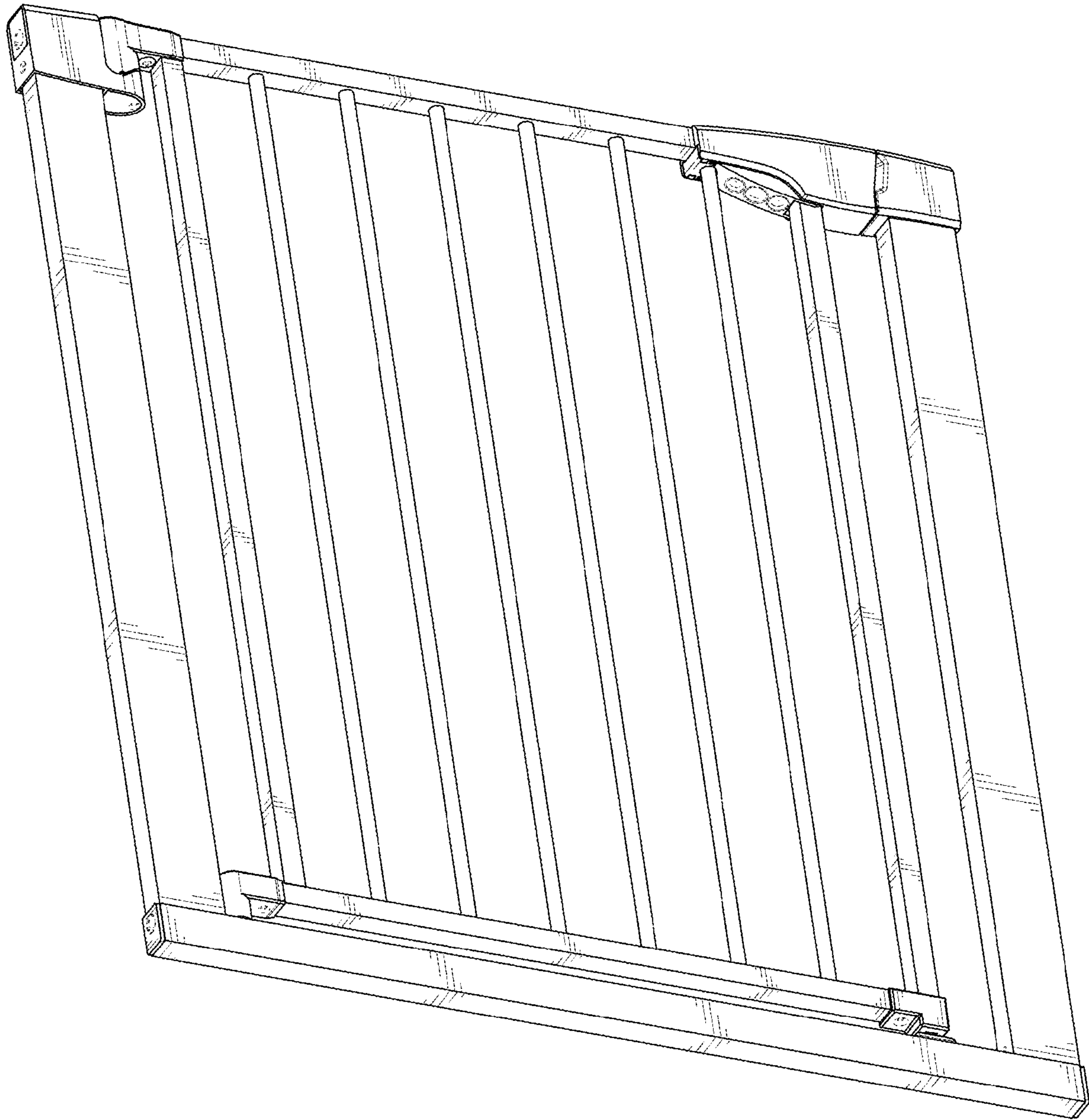


FIG. 2

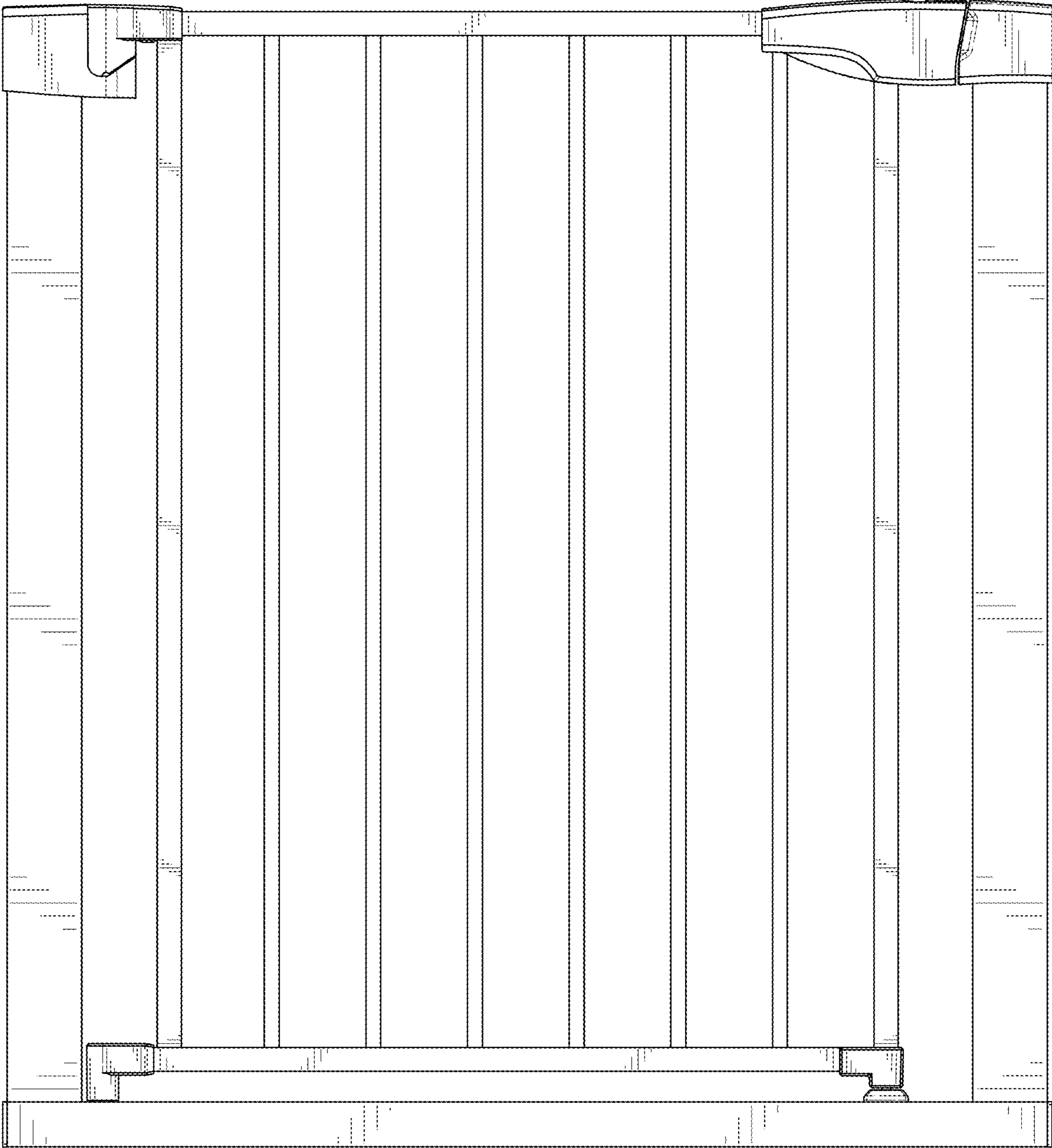


FIG. 3

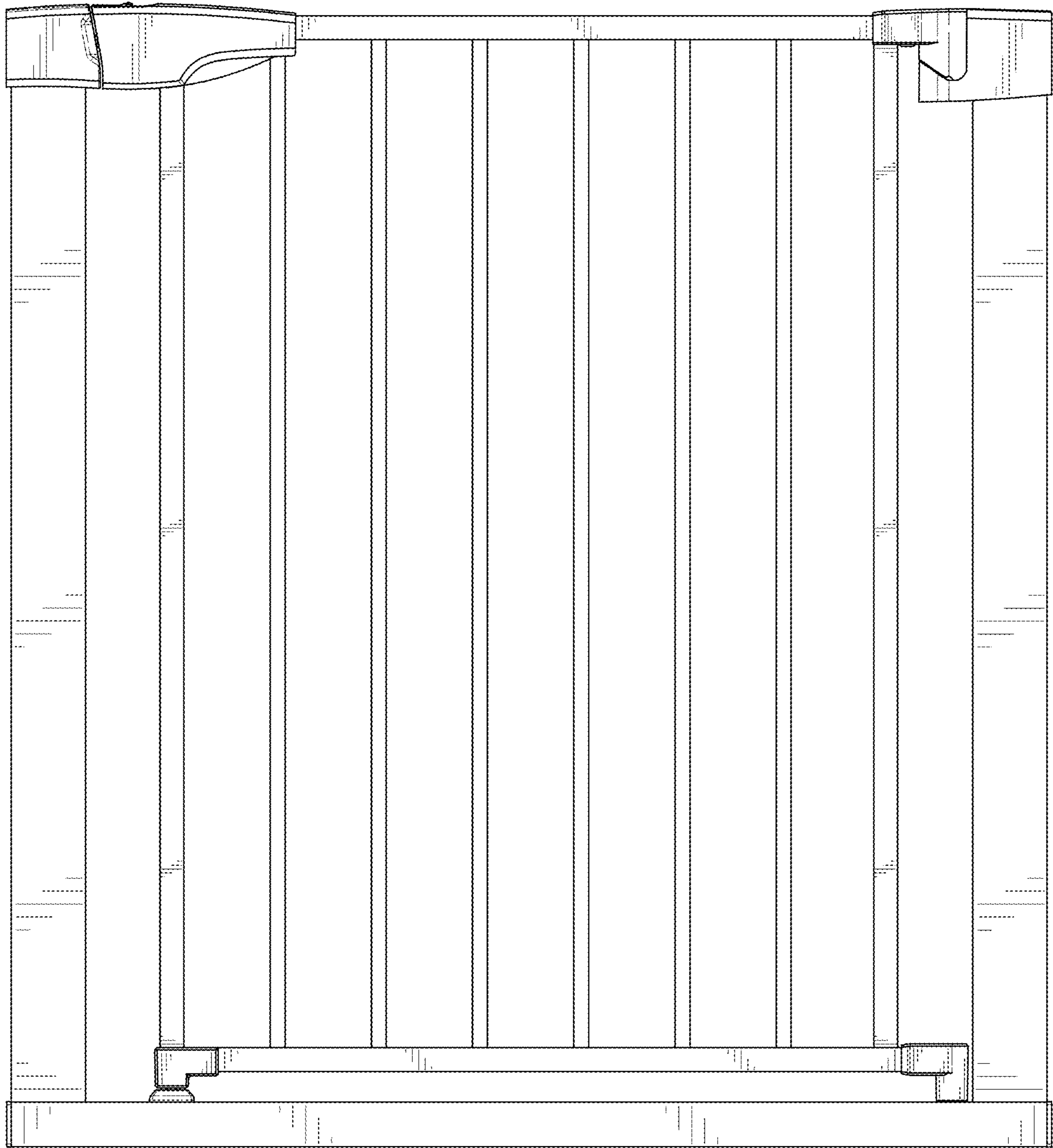


FIG. 4



FIG. 5



FIG. 6

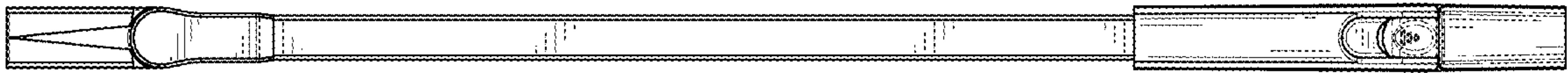


FIG. 7

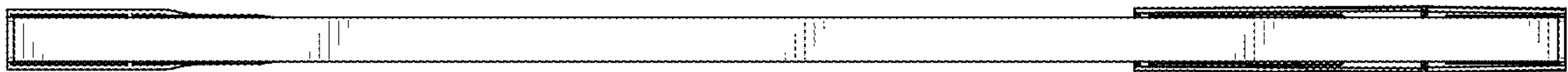


FIG. 8

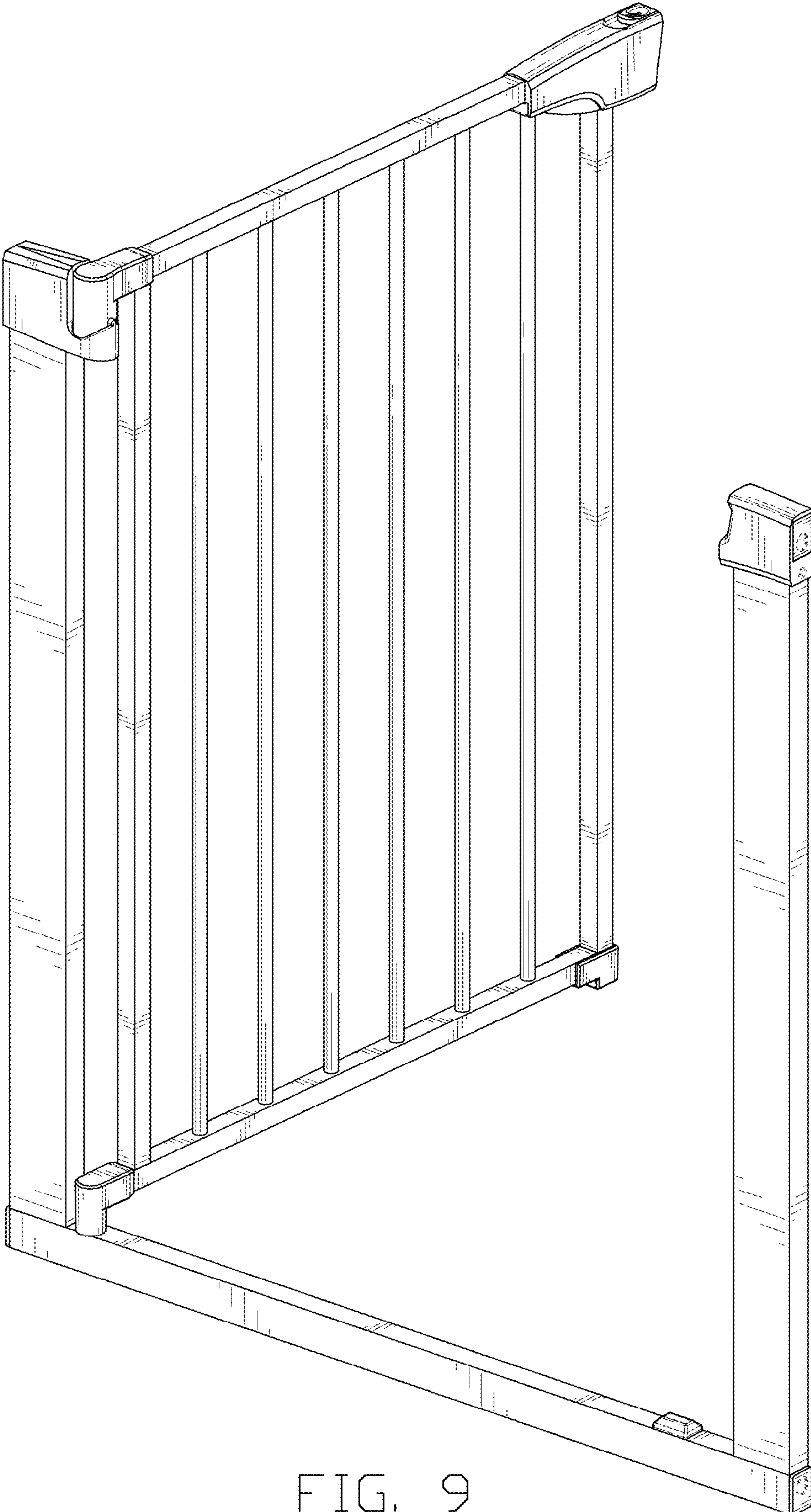


FIG. 9

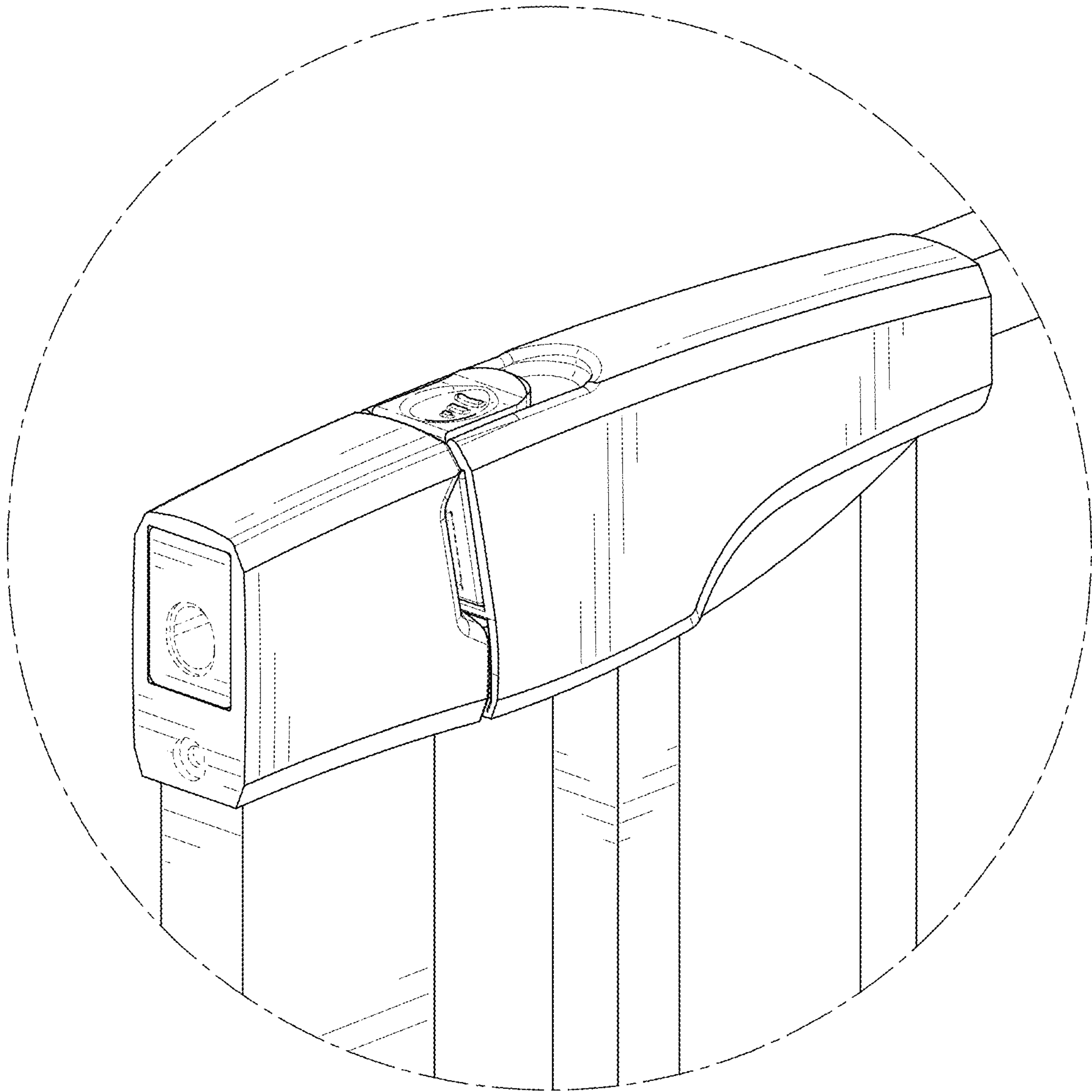


FIG. 10