



US00D945014S

(12) **United States Design Patent**  
**Garcia, III**

(10) **Patent No.:** **US D945,014 S**  
(45) **Date of Patent:** **\*\* Mar. 1, 2022**

(54) **VEHICLE VENDING BUILDING**

FOREIGN PATENT DOCUMENTS

(71) Applicant: **Carvana, LLC**, Tempe, AZ (US)

CN 304658967 \* 6/2018  
WO D042209-001 \* 11/1997

(72) Inventor: **Ernest C. Garcia, III**, Phoenix, AZ (US)

OTHER PUBLICATIONS

(73) Assignee: **Carvana, LLC**, Tempe, AZ (US)

First Central Tower, Built 1984, Emporis, <https://www.emporis.com/buildings/130895/first-central-tower-st-petersburg-fl-usa> (Year: 1984).\*

(\*\*) Term: **15 Years**

(Continued)

(21) Appl. No.: **29/708,958**

*Primary Examiner* — Brett Miller

(22) Filed: **Oct. 10, 2019**

(74) *Attorney, Agent, or Firm* — The Marbury Law Group, PLLC

**Related U.S. Application Data**

(63) Continuation of application No. 29/669,611, filed on Nov. 9, 2018, now Pat. No. Des. 866,000, which is a continuation of application No. 29/575,629, filed on Aug. 26, 2016, now Pat. No. Des. 833,642.

(57) **CLAIM**

The ornamental design for a vehicle vending building, as shown and described.

(51) **LOC (13) Cl.** ..... **25-03**

(52) **U.S. Cl.**  
USPC ..... **D25/5; D25/34**

**DESCRIPTION**

(58) **Field of Classification Search**  
USPC ..... D25/1, 3-35, 56, 58, 59, 61; D6/678, D6/678.1  
CPC ..... E04H 1/00-06; E04H 6/08; E04H 6/10; E04H 6/12-287; E04H 3/02-10; E04B 1/19; E04B 2001/1927  
See application file for complete search history.

FIG. 1 is a front/right side perspective view of the vehicle vending building design.  
FIG. 2 is a front view of the vehicle vending building design.  
FIG. 3 is a rear view of the vehicle vending building design.  
FIG. 4 is a right side view of the vehicle vending building design.  
FIG. 5 is a left side view of the vehicle vending building design.  
FIG. 6 is a top view of the vehicle vending building design.  
FIG. 7 is a bottom view of the vehicle vending building design; and,  
FIG. 8 is a rear/left side perspective view of the vehicle vending building design.  
The broken lines shown in FIGS. 1-8 represent portions of the vehicle vending building that form no part of the claim.

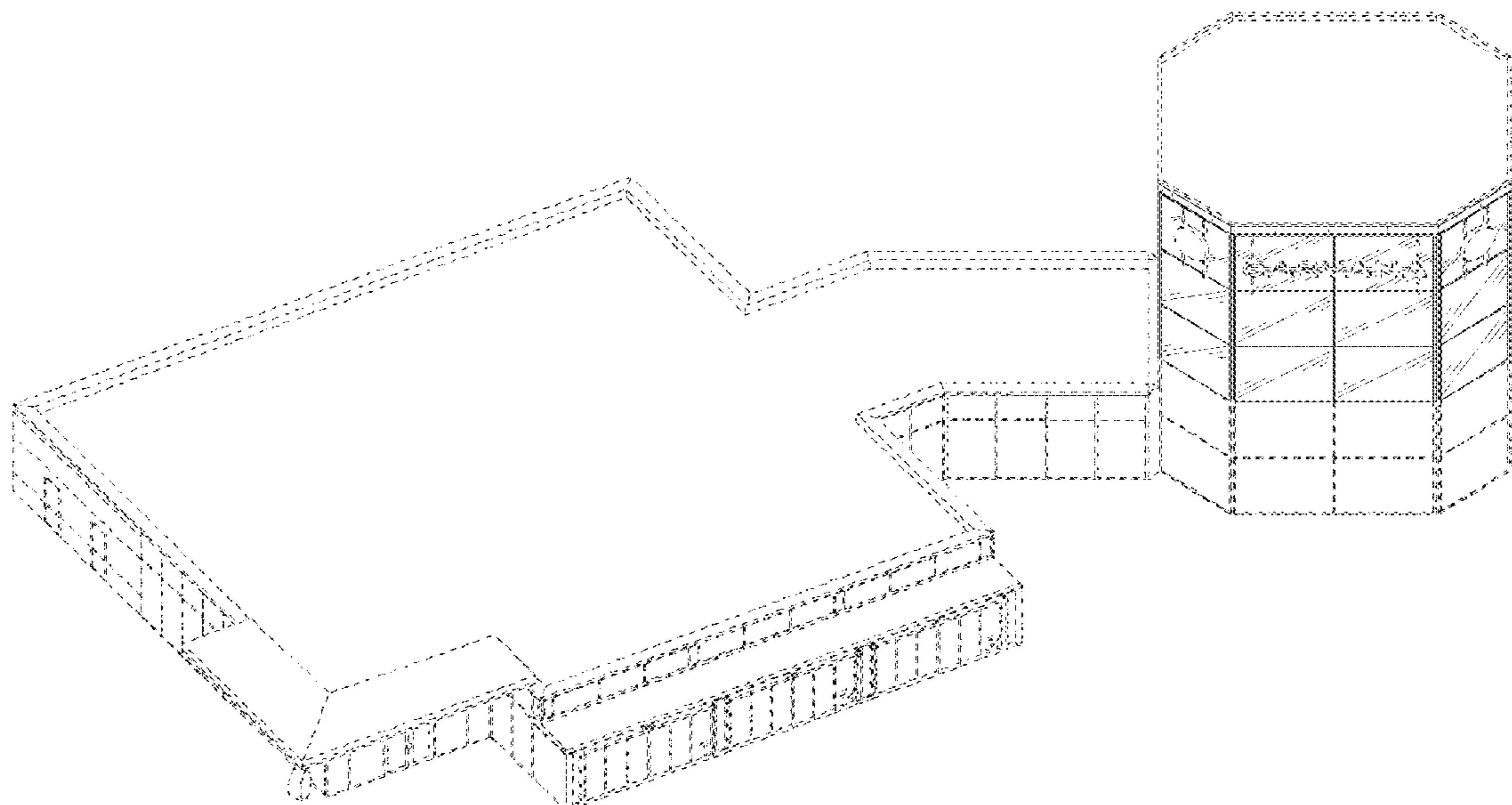
(56) **References Cited**

U.S. PATENT DOCUMENTS

1,096,758 A \* 5/1914 Rogers ..... E04H 13/006 52/132  
D97,539 S \* 11/1935 Teague ..... D25/34  
2,154,897 A 4/1939 Grant  
2,698,973 A \* 1/1955 Zeckendorf ..... E04H 1/04 52/185

(Continued)

**1 Claim, 8 Drawing Sheets**



(56)

References Cited

U.S. PATENT DOCUMENTS

3,033,499 A \* 5/1962 Ash ..... E04H 3/00  
244/114 R  
3,105,999 A \* 10/1963 Piazzolo ..... E04H 6/08  
52/176  
D197,642 S \* 3/1964 Garrett ..... D25/5  
D202,771 S \* 11/1965 Wokas ..... D25/3  
D212,844 S \* 12/1968 Mullen ..... D25/4  
3,466,817 A \* 9/1969 Hagel ..... E04H 1/04  
52/30  
D216,424 S \* 1/1970 Estea ..... D25/5  
3,513,922 A 5/1970 Handler  
3,513,992 A \* 5/1970 Handler ..... E04H 6/287  
414/259  
D222,343 S \* 10/1971 Mullen ..... D25/4  
D223,485 S \* 4/1972 Mullen ..... D25/4  
3,824,752 A \* 7/1974 Weston ..... E04H 3/02  
52/176  
3,866,363 A \* 2/1975 King ..... E04H 9/14  
52/29  
3,921,354 A \* 11/1975 Connelly ..... E04B 1/3412  
52/236.1  
D244,980 S 7/1977 Kippenbrock et al.  
4,098,039 A \* 7/1978 Sutelan ..... E04B 1/3404  
52/236.1  
D249,561 S \* 9/1978 Barr ..... D25/21  
D273,228 S \* 3/1984 Cotton ..... D25/1  
4,434,595 A \* 3/1984 de Brabant ..... E04H 1/04  
52/236.2  
D273,423 S 4/1984 Elliott

D275,306 S \* 8/1984 Edwards ..... D23/205  
D283,166 S 3/1986 Gardner et al.  
D316,903 S 5/1991 Poelvoorde  
D317,047 S 5/1991 Poelvoorde  
5,199,231 A \* 4/1993 Dever ..... E04B 1/003  
52/176  
5,595,263 A \* 1/1997 Pignataro ..... E04H 3/04  
186/53  
5,829,941 A \* 11/1998 Zamorano Morfin .. E04H 6/282  
414/261  
D693,942 S 11/2013 Varadiova  
D827,154 S \* 8/2018 Lee ..... D25/31  
D833,642 S \* 11/2018 Garcia, III ..... D25/6  
D866,000 S \* 11/2019 Garcia, III ..... D25/6  
D872,642 S \* 1/2020 Heatherwick ..... D11/157  
2004/0237421 A1 12/2004 Franz  
2005/0252100 A1\* 11/2005 Nord ..... E04H 1/02  
52/79.4  
2011/0213493 A1 9/2011 Stutz  
2013/0144688 A1 6/2013 Jose  
2016/0348384 A1\* 12/2016 Zheng ..... E04H 1/06  
2017/0211287 A1 7/2017 Schmitt et al.  
2018/0171653 A1\* 6/2018 Birch ..... E04B 1/34315  
2019/1140644 2/2019 Garcia, III et al.

OTHER PUBLICATIONS

White Rock Tower, Built 1980, LoopNet, [https://www.loopnet.com/Listing/6510-Abrams-Rd-Dallas-TX/4061517/\(Year: 1980\).\\*](https://www.loopnet.com/Listing/6510-Abrams-Rd-Dallas-TX/4061517/(Year:1980).*)  
6201 College Blvd, Built 1990, officespace.com, [https://www.officespace.com/ks/leawood/1223366-6201-college-blvd \(Year: 1990\).\\*](https://www.officespace.com/ks/leawood/1223366-6201-college-blvd (Year:1990).*)

\* cited by examiner

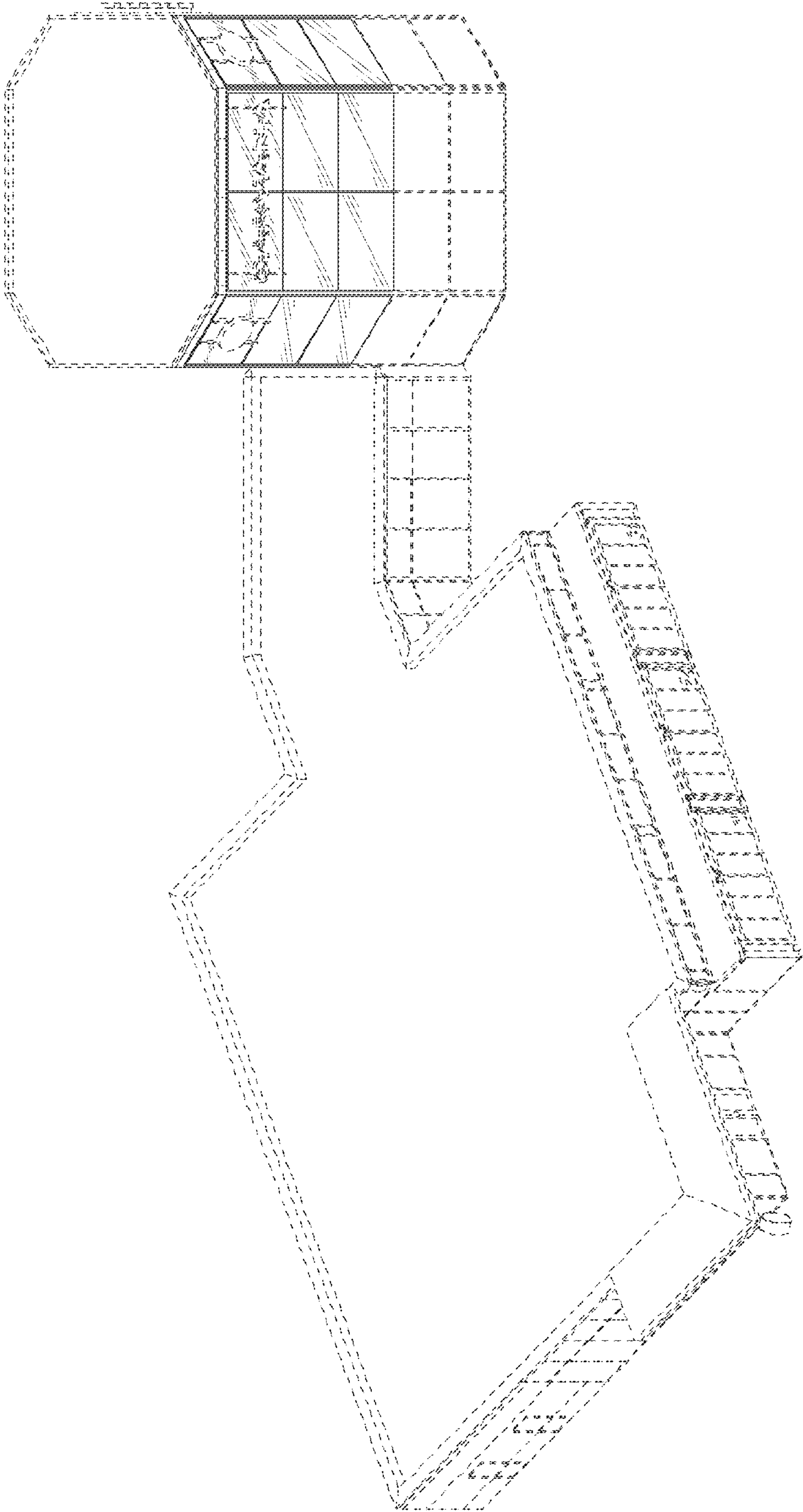


FIG. 1



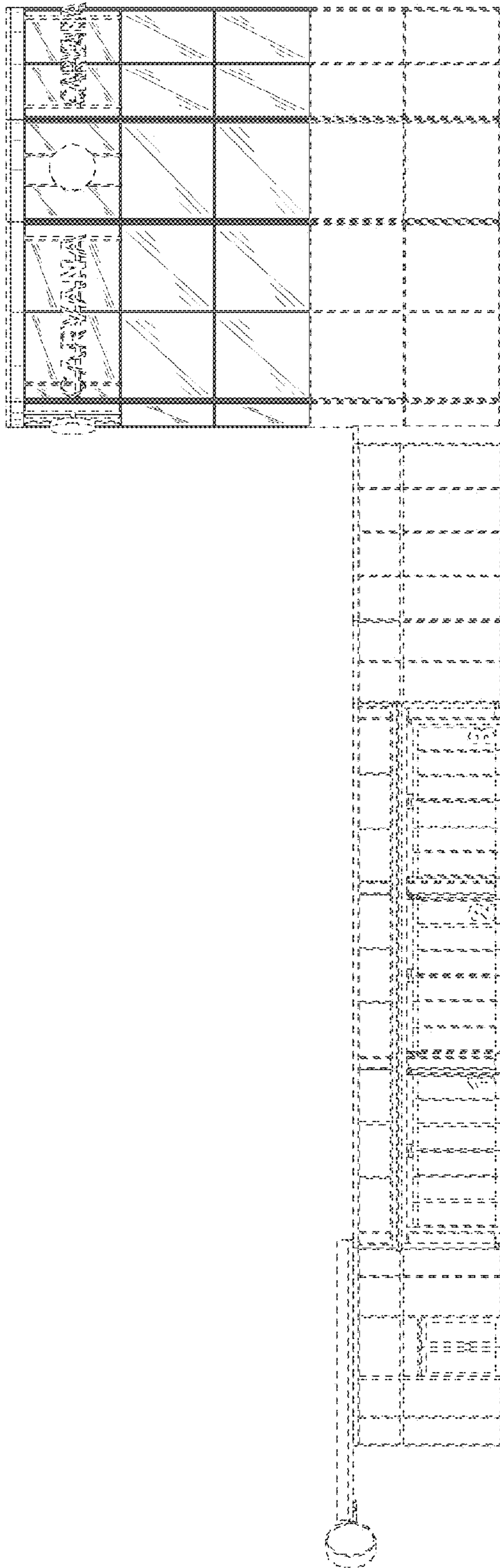


FIG. 2

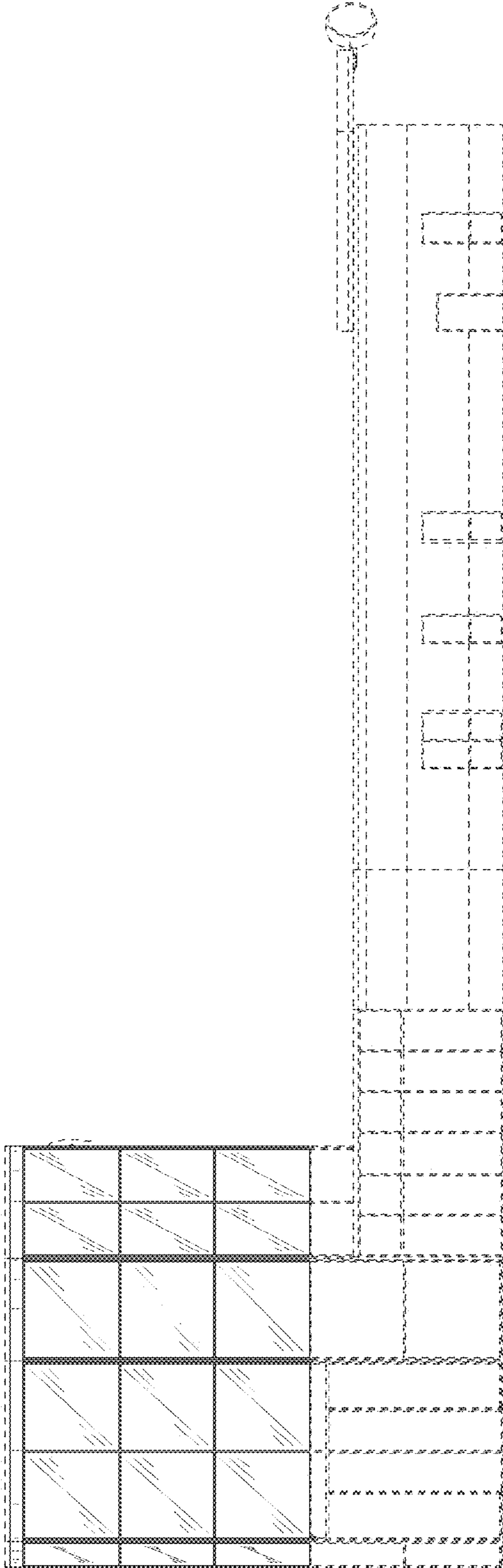


FIG. 3

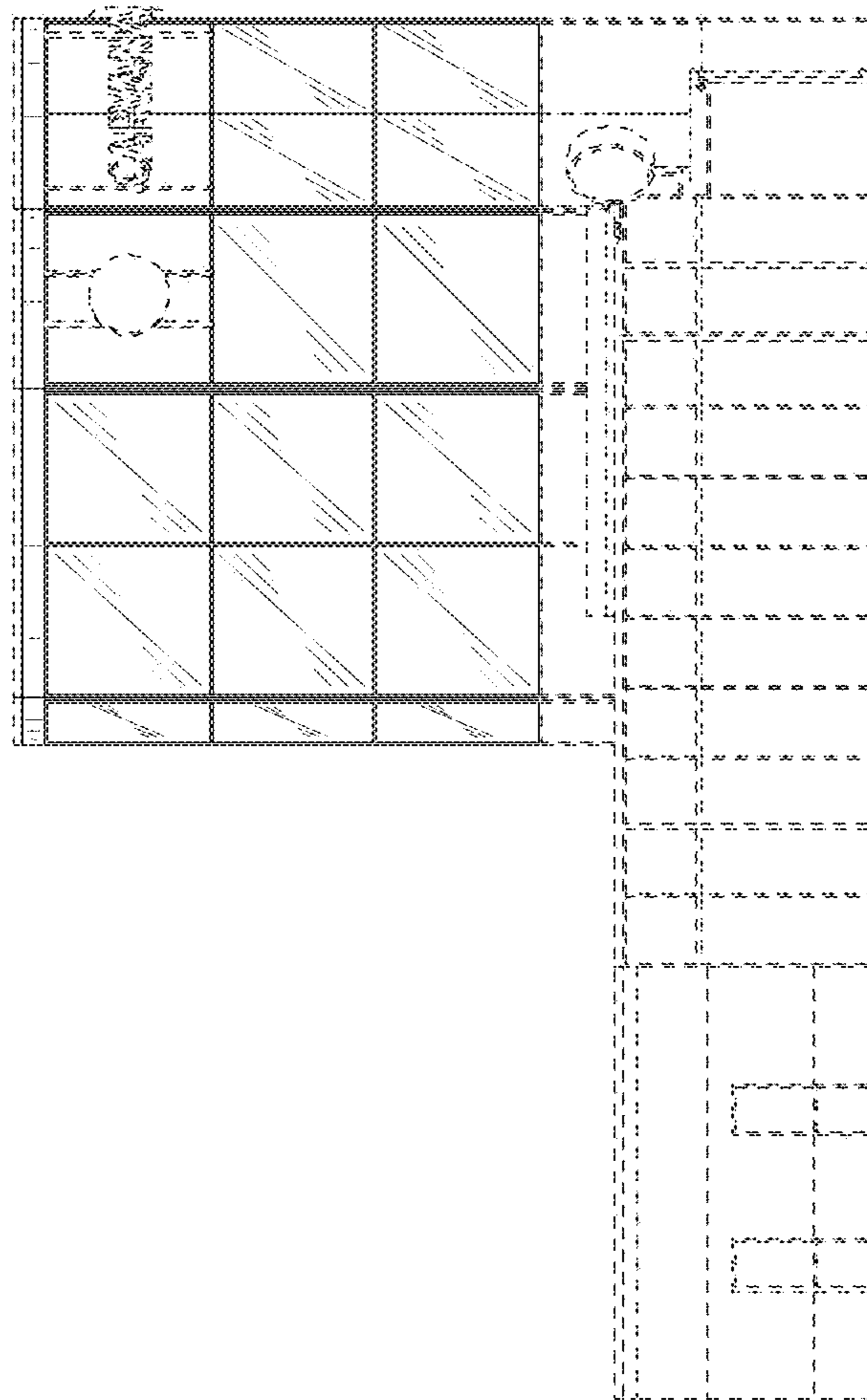


FIG. 4

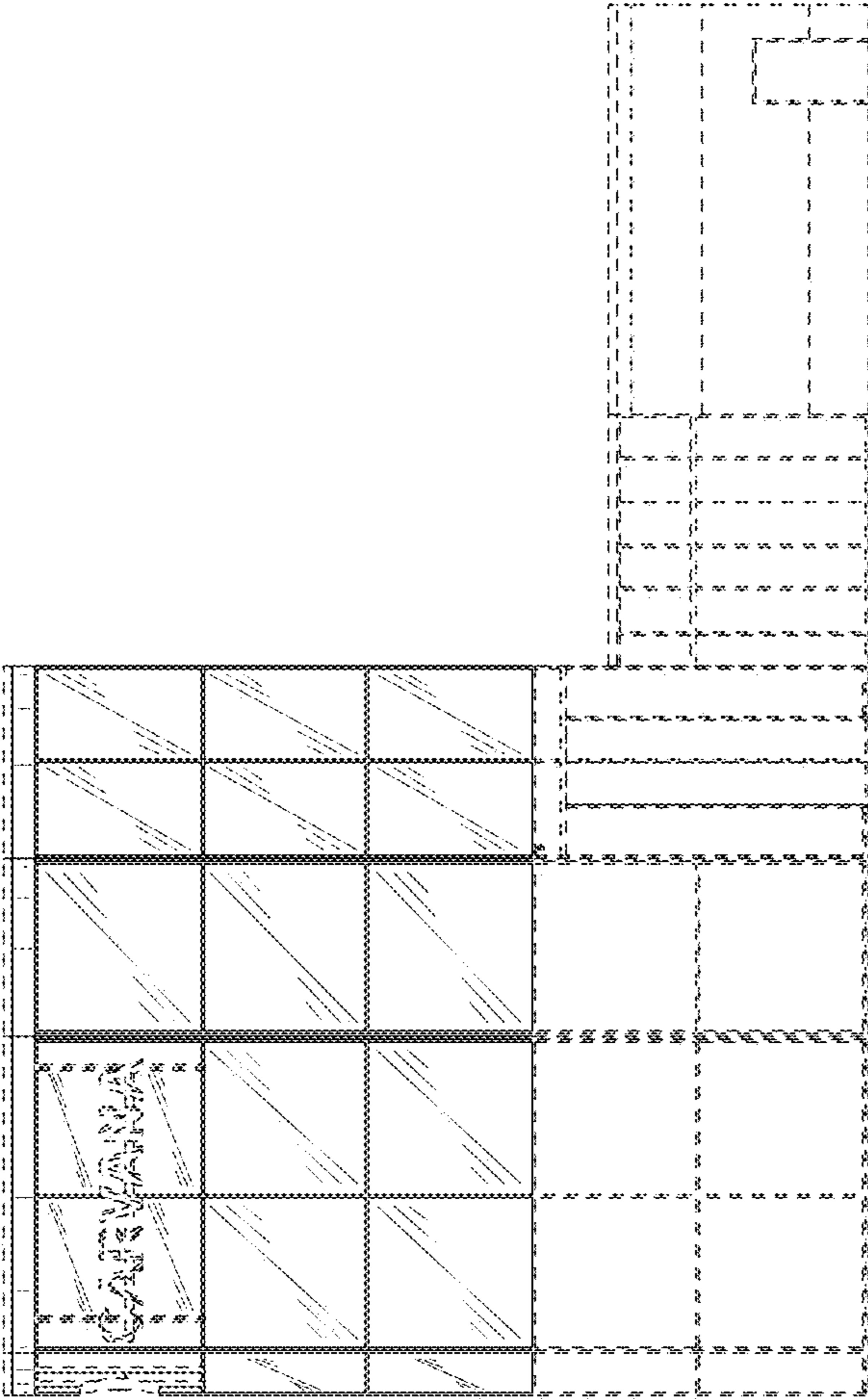


FIG. 5

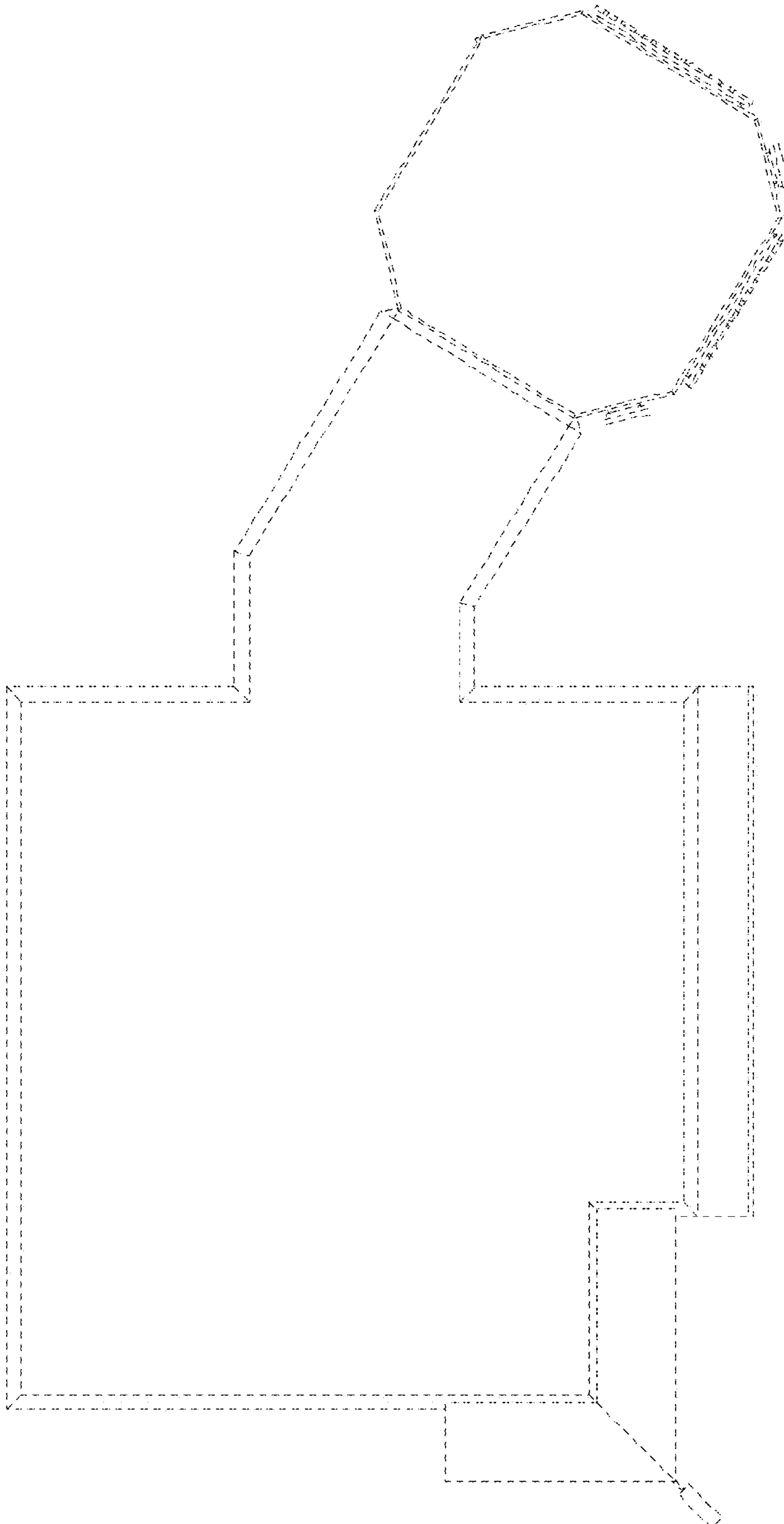


FIG. 6



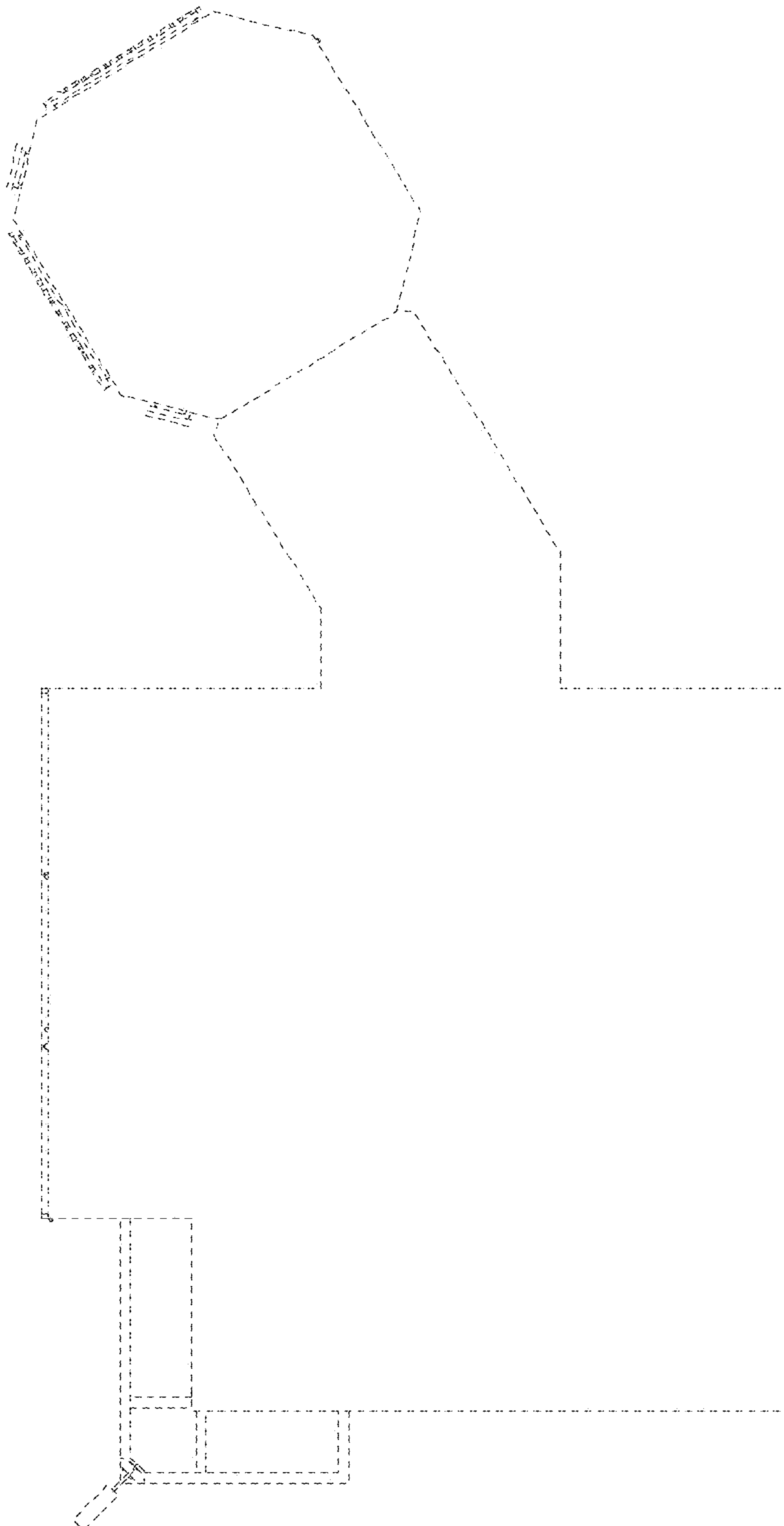


FIG. 7

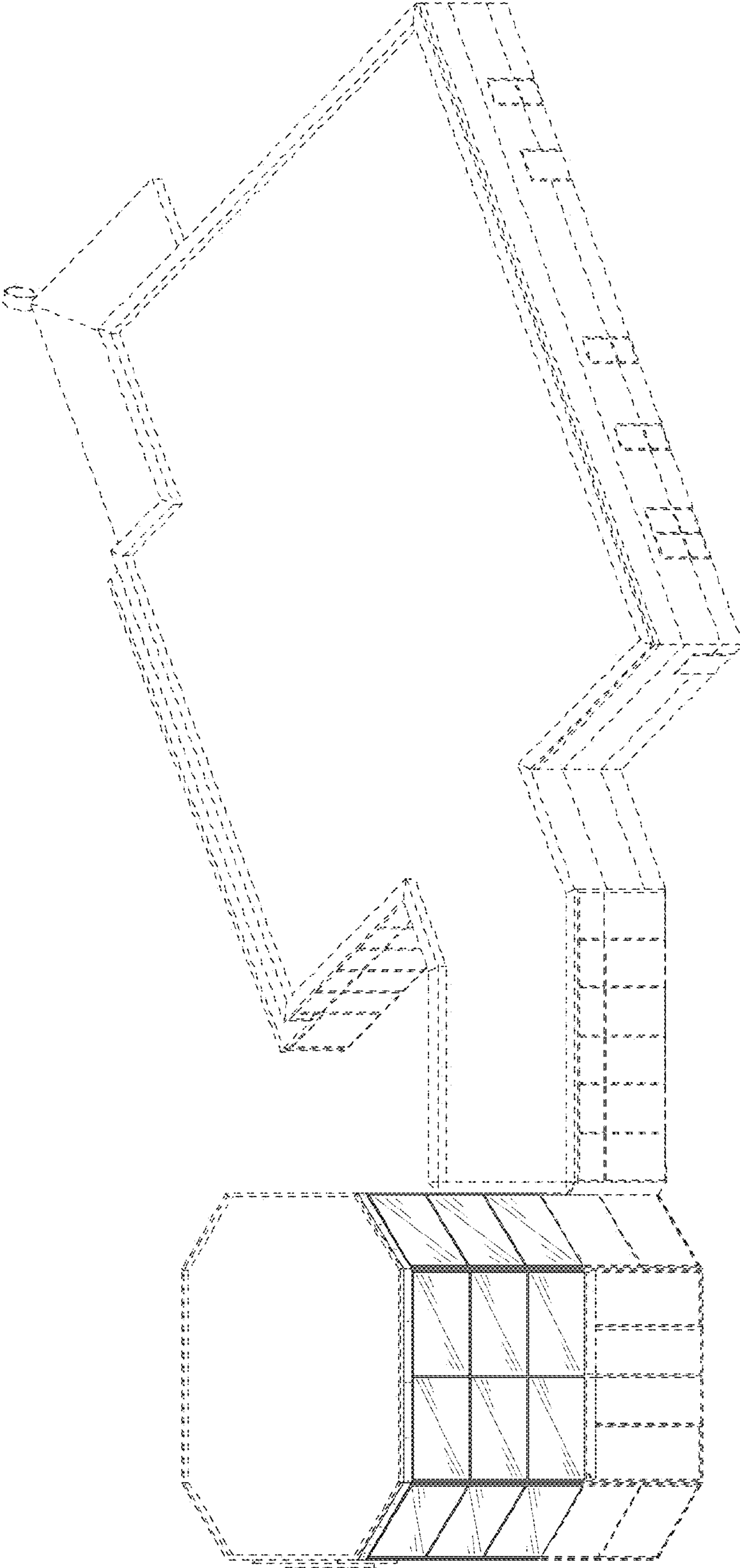


FIG. 8