



US00D945012S

(12) **United States Design Patent**  
**Inga et al.**

(10) **Patent No.:** **US D945,012 S**

(45) **Date of Patent:** **\*\* Mar. 1, 2022**

(54) **AIRWAY INTUBATION KIT**

(71) Applicants: **Barbara Inga**, Libertyville, IL (US);  
**Anna Mae Stegemann**, Libertyville, IL  
(US); **Jose Tumulak**, Grayslake, IL  
(US)

(72) Inventors: **Barbara Inga**, Libertyville, IL (US);  
**Anna Mae Stegemann**, Libertyville, IL  
(US); **Jose Tumulak**, Grayslake, IL  
(US)

(\*\*) Term: **15 Years**

(21) Appl. No.: **29/734,646**

(22) Filed: **May 14, 2020**

(51) **LOC (13) Cl.** ..... **24-02**

(52) **U.S. Cl.**  
USPC ..... **D24/229**

(58) **Field of Classification Search**  
USPC .... D24/108, 110.5, 112, 113, 114, 127, 130,  
D24/133, 186, 227, 229, 230;  
D9/756-758; D15/127, 139, 140, 141  
CPC ..... A61B 5/0013; A61M 25/0043; A61M  
25/0067; A61M 27/00; A61M 25/0097;  
A61M 39/00  
See application file for complete search history.

(56) **References Cited**

**U.S. PATENT DOCUMENTS**

D198,151 S \* 5/1964 Folkman ..... D24/230  
D202,013 S \* 8/1965 Hamilton et al. .... D24/229

D202,599 S \* 10/1965 Goyke ..... D24/230  
D277,508 S \* 2/1985 Clair ..... D24/229  
D283,160 S \* 3/1986 Steinman ..... D24/229  
D437,941 S \* 2/2001 Frattini ..... D24/229  
D442,697 S \* 5/2001 Hajianpour ..... D24/229  
D742,028 S \* 10/2015 Hutchison ..... D24/227  
10,577,165 B2 \* 3/2020 Sadowski ..... B65D 77/26  
10,864,522 B2 \* 12/2020 Corey ..... B01L 3/502723

\* cited by examiner

*Primary Examiner* — Omeed Agilee

(74) *Attorney, Agent, or Firm* — Lesley A. Wallerstein,  
LLC

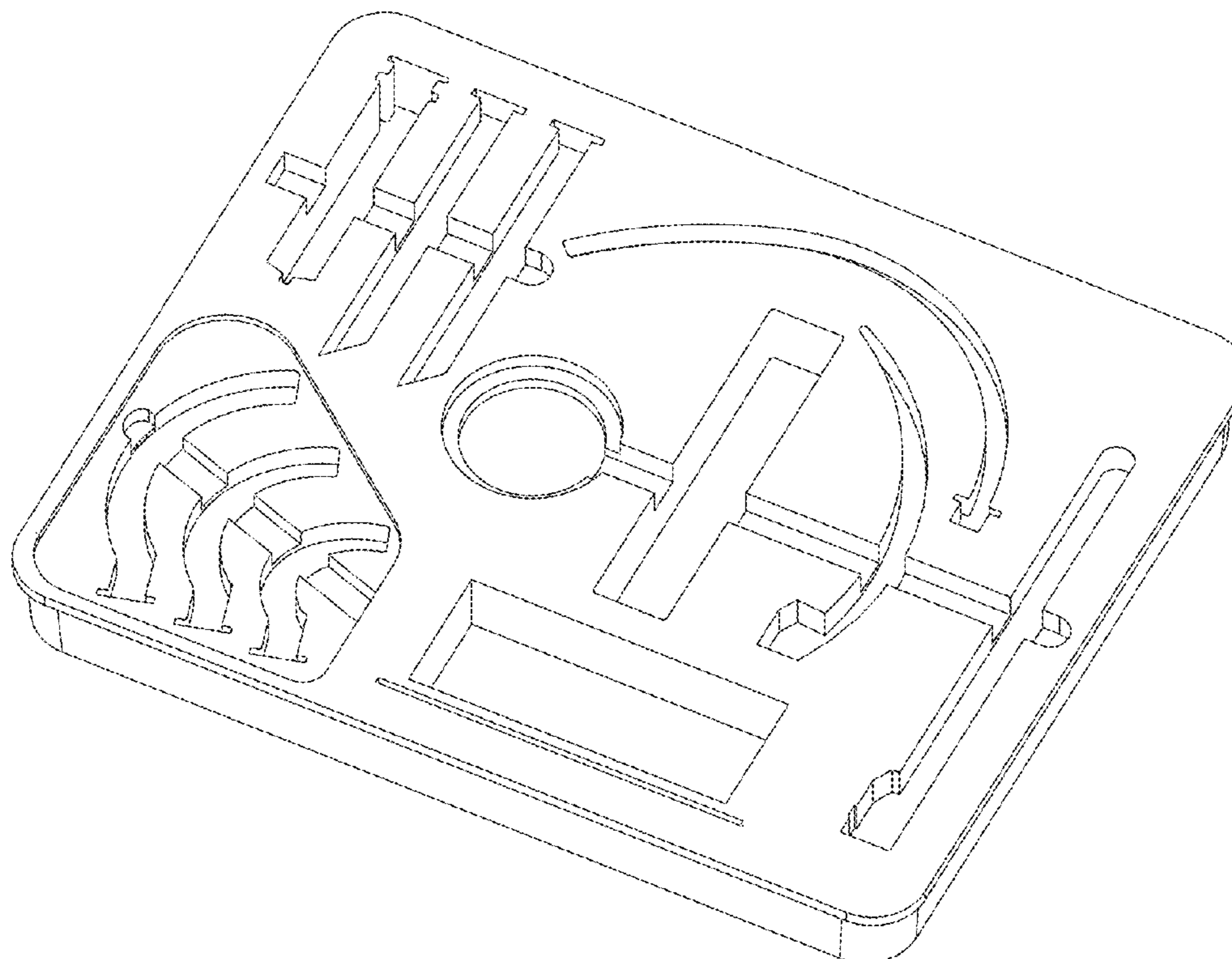
(57) **CLAIM**

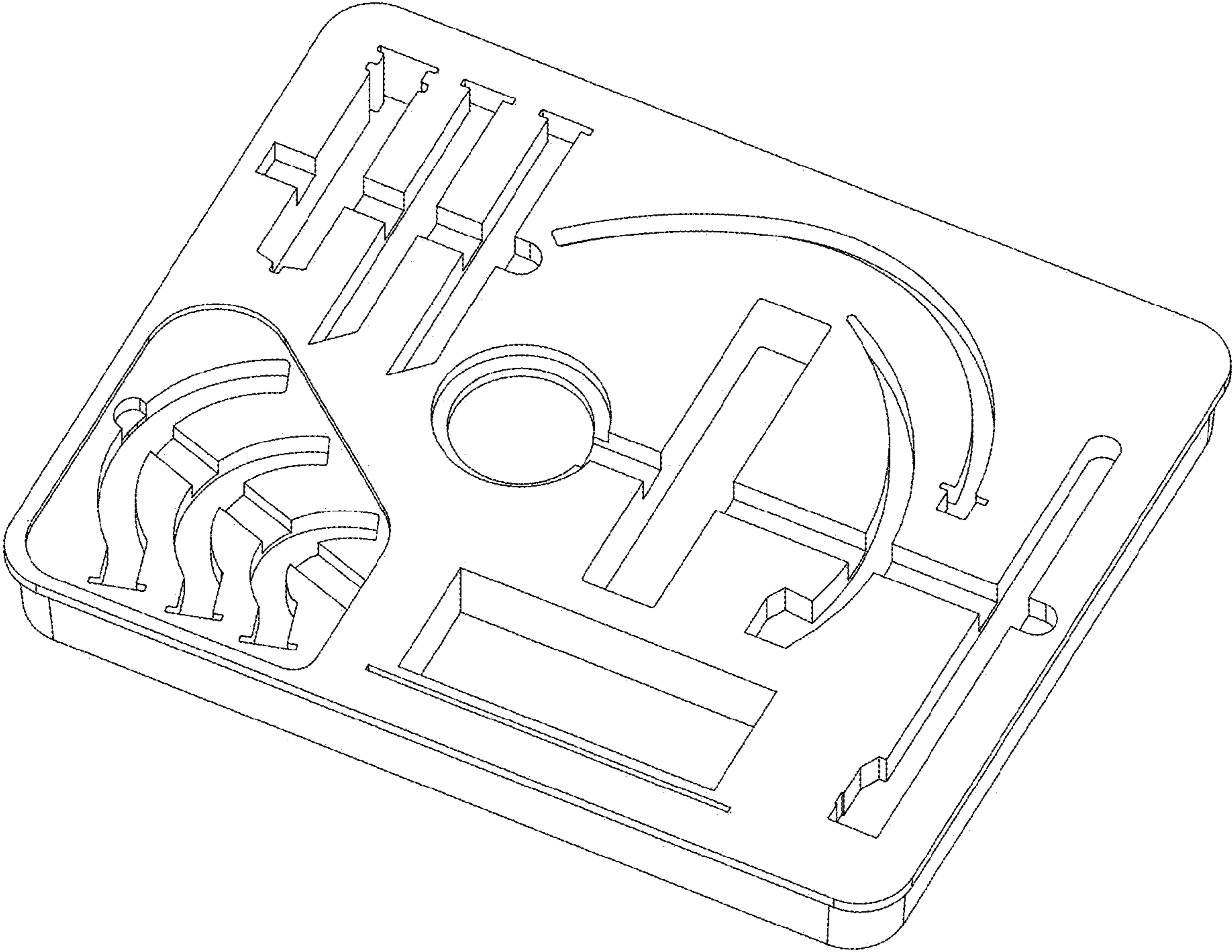
The ornamental design for an airway intubation kit, as shown and described.

**DESCRIPTION**

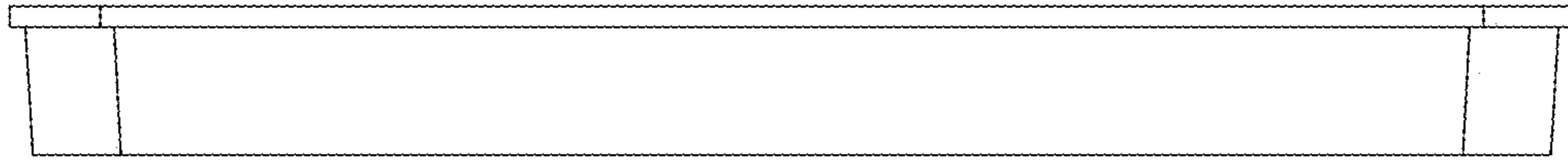
FIG. 1 is a top perspective view of an airway intubation kit, according to the present invention.  
FIG. 2 is a front view thereof. The back view is a mirror image of the front view.  
FIG. 3 is a left view thereof. The right view is a mirror image of the left view.  
FIG. 4 is a top view thereof.  
FIG. 5 is a bottom view thereof.  
FIG. 6 is a bottom perspective view thereof; and,  
FIG. 7 is a top perspective view thereof.  
The broken lines in the drawings depict environmental subject matter and form no part of the claimed design.

**1 Claim, 6 Drawing Sheets**

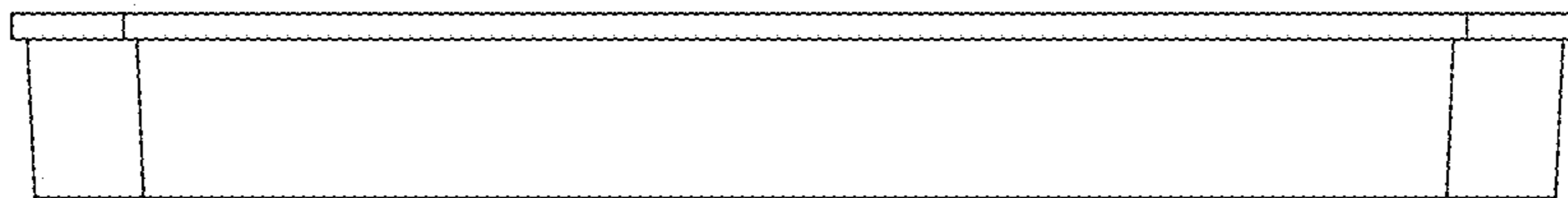




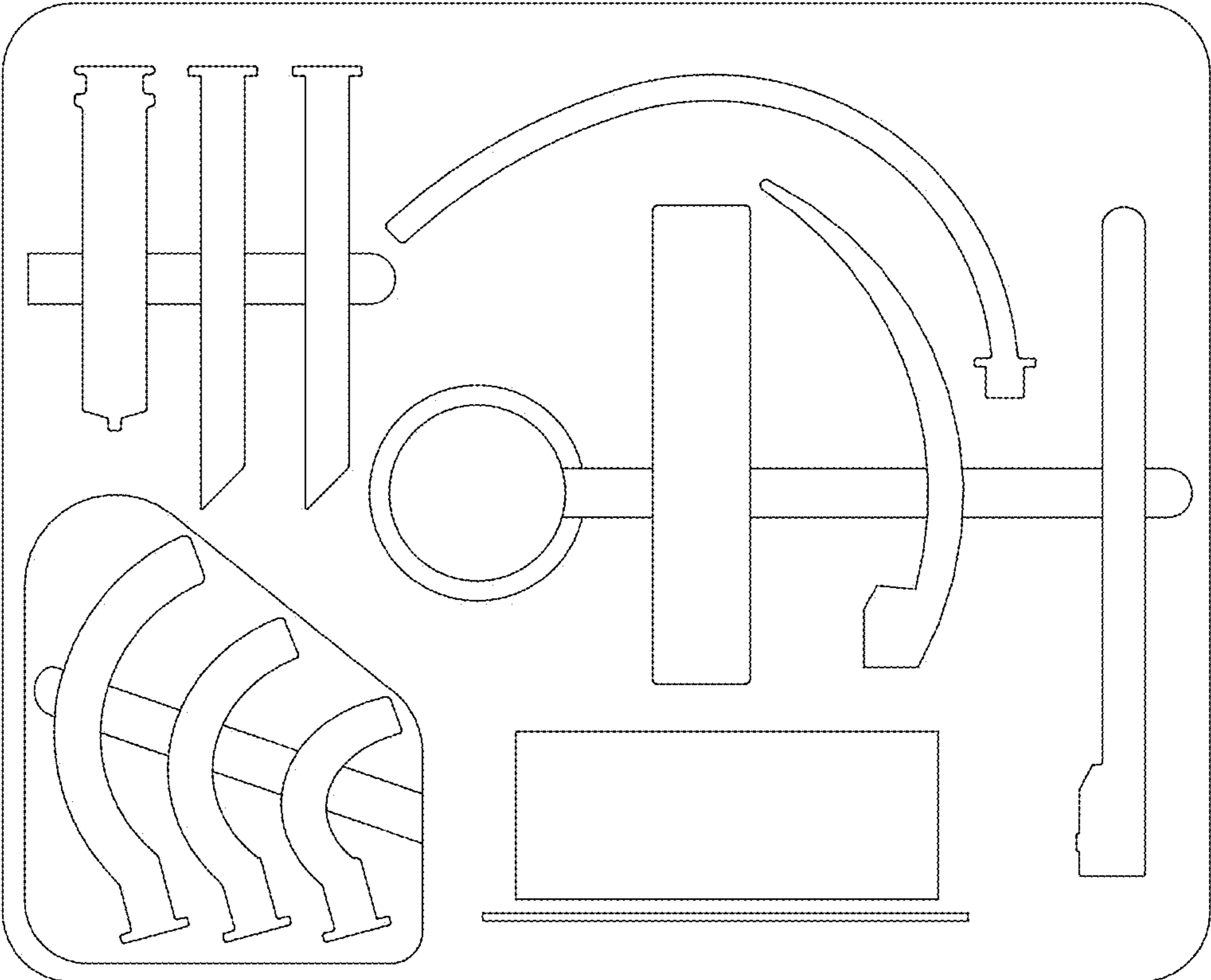
**FIG. 1**



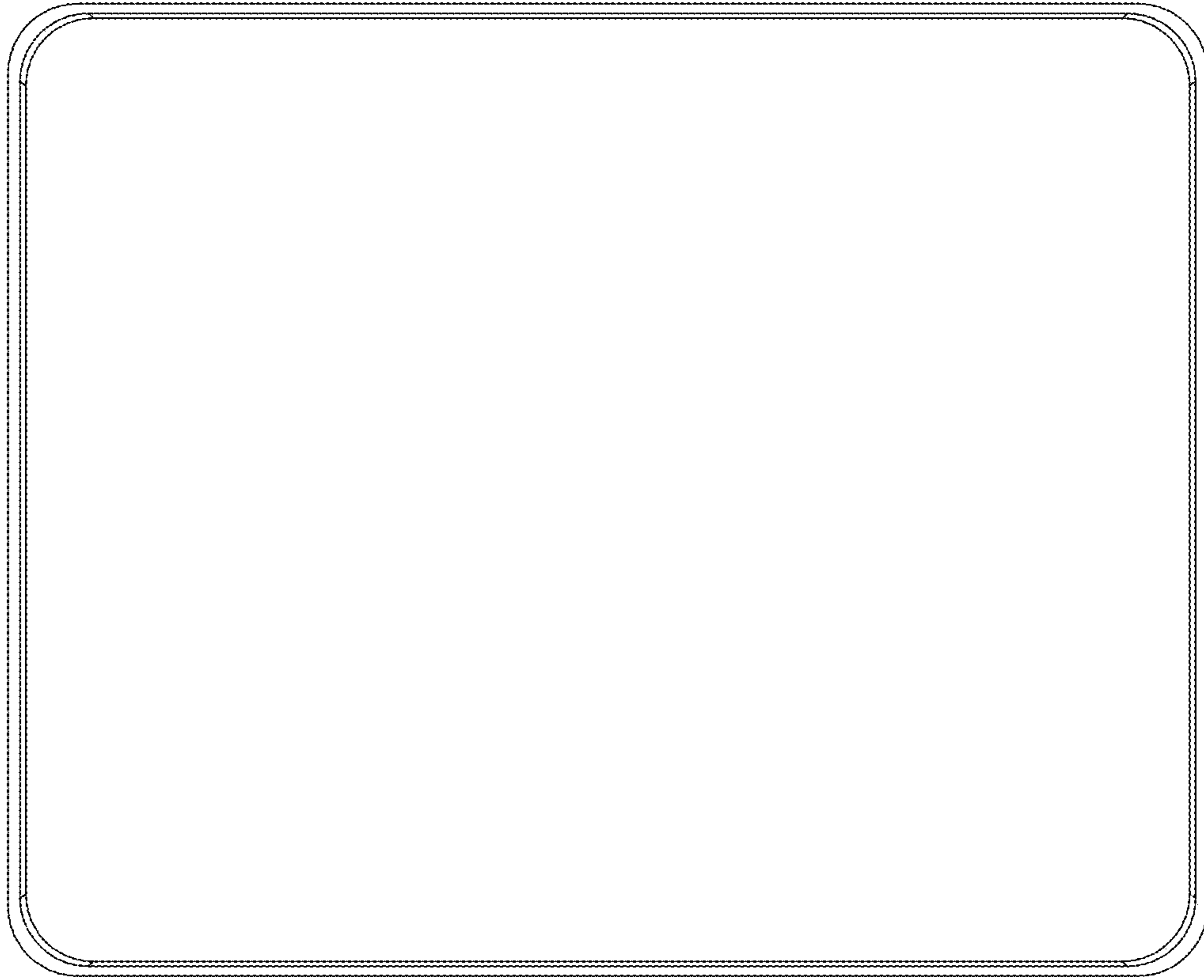
**FIG. 2**



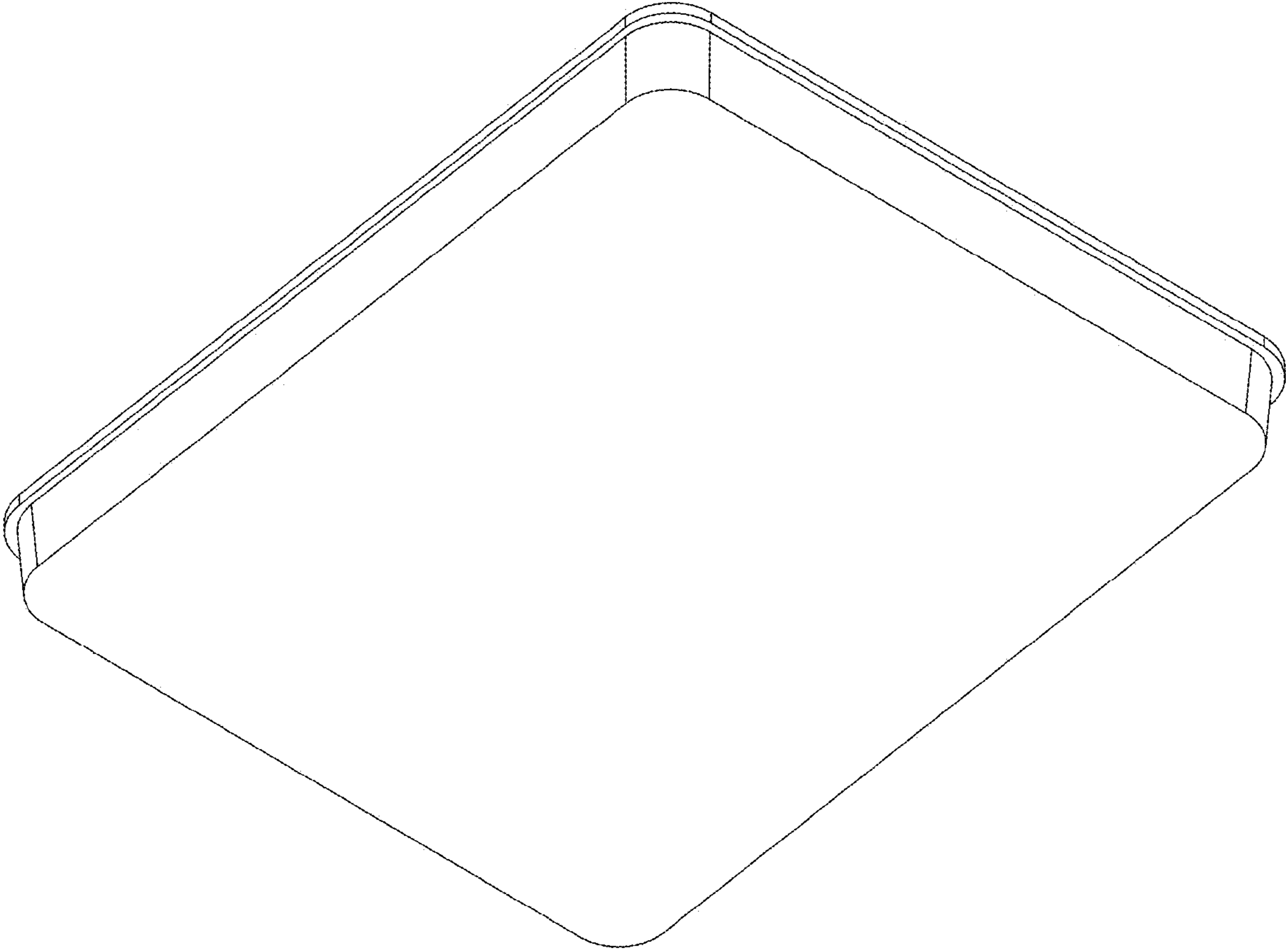
**FIG. 3**



**FIG. 4**

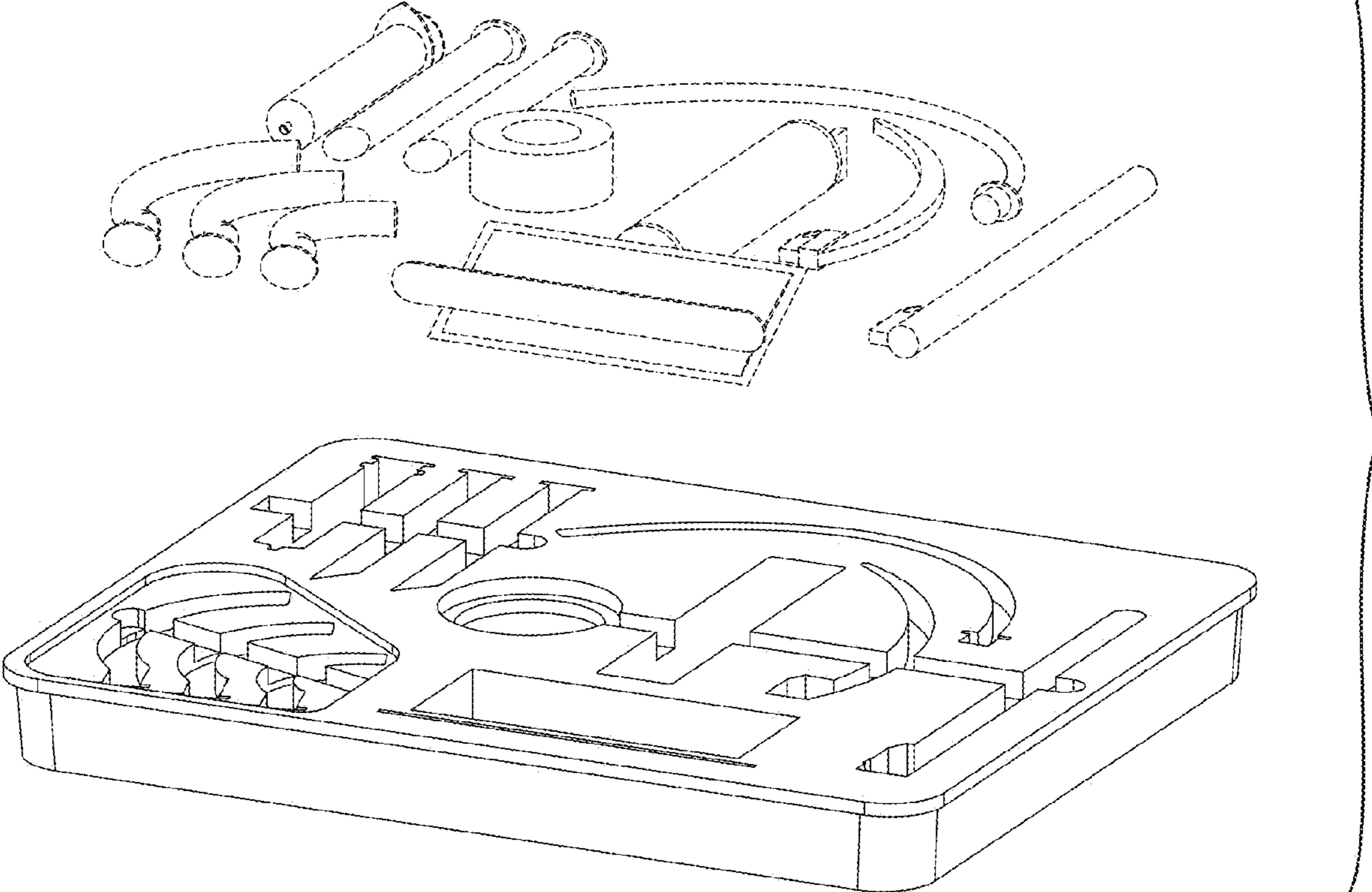


**FIG. 5**



**FIG. 6**





**FIG. 7**