



US00D945011S

(12) **United States Design Patent**
Meyer

(10) **Patent No.:** **US D945,011 S**

(45) **Date of Patent:** **** Mar. 1, 2022**

(54) **CASSETTE WITH INSERT TRAYS FOR STORAGE OF SURGICAL INSTRUMENTS AND AUXILIARIES**

(71) Applicant: **Straumann Holding AG**, Basel (CH)

(72) Inventor: **Corinne Meyer**, Liestal (CH)

(73) Assignee: **Straumann Holding AG**, Basel (CH)

(**) Term: **15 Years**

(21) Appl. No.: **35/509,752**

(22) Filed: **Mar. 6, 2020**

(80) **Hague Agreement Data**

Int. Filing Date: **Mar. 6, 2020**

Int. Reg. No.: **DM/209005**

Int. Reg. Date: **Mar. 6, 2020**

Int. Reg. Pub. Date: **Jul. 10, 2020**

(51) **LOC (13) Cl.** **24-02**

(52) **U.S. Cl.**
USPC **D24/227**

(58) **Field of Classification Search**
USPC D3/201, 203.1–203.8; D7/505; D19/75,
D19/77, 81, 83, 84, 100, 101, 102;
D24/217, 227

(Continued)

(56) **References Cited**

U.S. PATENT DOCUMENTS

D181,290 S * 10/1957 Hait D3/203.3
D240,085 S * 5/1976 Reisdorf D3/203.1

(Continued)

FOREIGN PATENT DOCUMENTS

WO DM/070282 12/2010

OTHER PUBLICATIONS

Straumann. Straumann Modular Cassette Basic Information. 2019.
<https://www.straumann.com/content/dam/media-center/straumann/en-us/documents/brochure/product-information/CALIT.1291.Modular.Cassette.SBS.pdf> (Year: 2019).*

(Continued)

Primary Examiner — Darcey E Gottschalk

(74) *Attorney, Agent, or Firm* — Maier & Maier, PLLC

(57) **CLAIM**

The ornamental design for a cassette with insert trays for storage of surgical instruments and auxiliaries, as shown and described.

DESCRIPTION

1. Cassette with insert trays for storage of surgical instruments and auxiliaries

1.1 : Front

1.2 : Back

1.3 : Top

1.4 : Bottom

1.5 : Left

1.6 : Right

1.7 : Unfolded

1.8 : Exploded

1.9 : Perspective

1.10 : Unfolded detail perspective view

1.11 : Detail top view

1.12 : Detail top perspective view

1.13 : Detail bottom perspective view

1.14 : Detail top view

1.15 : Detail top perspective view

1.16 : Detail bottom perspective view

1.17 : Detail bottom view

1.18 : Detail top perspective view

1.19 : Detail bottom perspective view

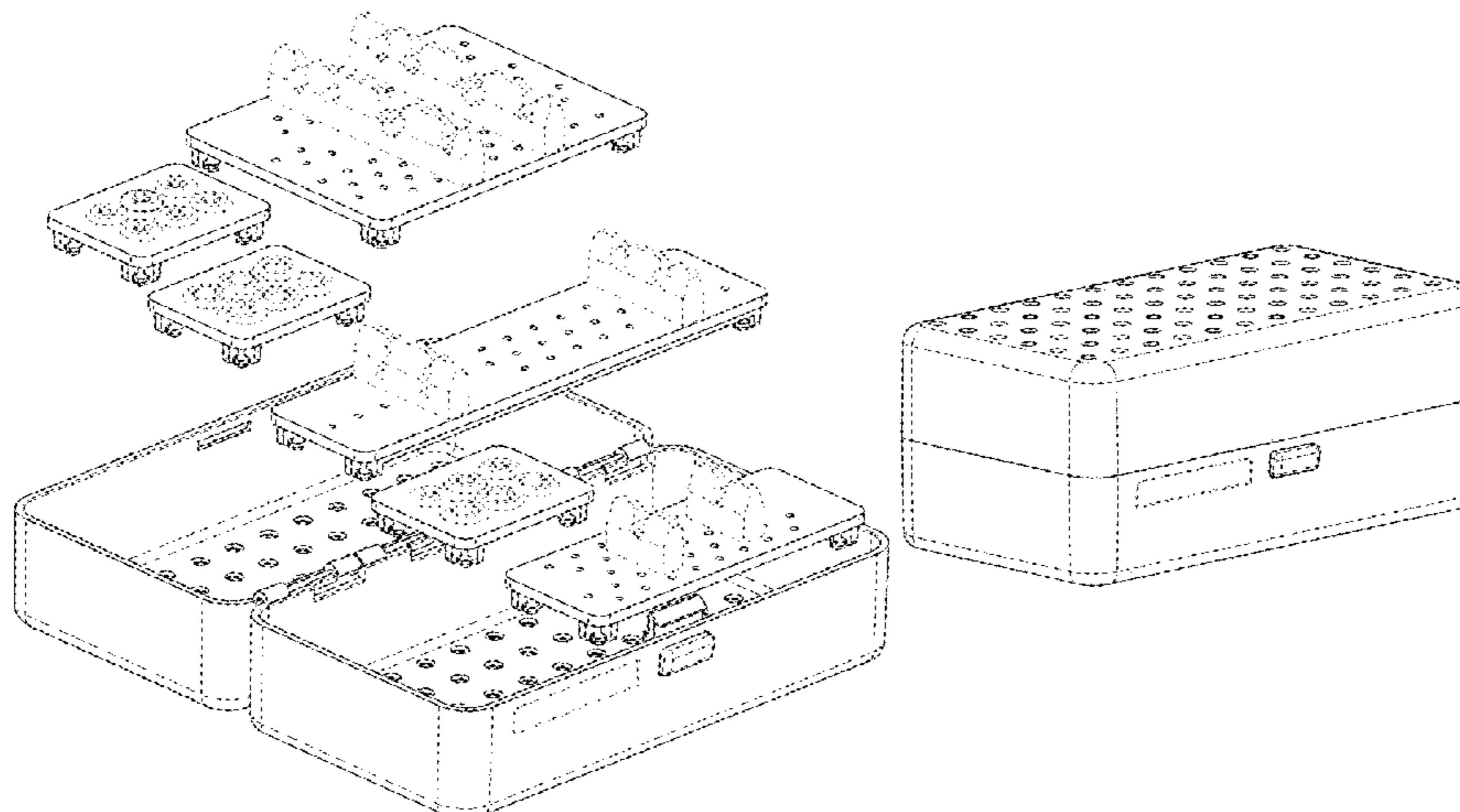
1.20 : Detail bottom view

1.21 : Detail top perspective view

1.22 : Detail bottom perspective view

A modular box with several insert trays for dental instruments and implants.

(Continued)



In the reproductions, the broken lines show portions of a cassette with insert trays for storage of surgical instruments and auxiliaries that form no part of the claim.

1 Claim, 22 Drawing Sheets

(58) **Field of Classification Search**

CPC A61C 19/02; A61B 50/20; A61B 50/30;
A61B 50/33

See application file for complete search history.

(56) **References Cited**

U.S. PATENT DOCUMENTS

D269,313 S * 6/1983 Swett D7/505
4,798,292 A * 1/1989 Hauze A61L 2/26
206/439
D313,651 S * 1/1991 Michelson D24/217
D314,307 S * 2/1991 Bush D7/356
D333,487 S * 2/1993 Papp D19/75
5,246,105 A * 9/1993 Eykmann A47B 67/04
206/63.5
D367,211 S * 2/1996 Cautereels D3/294
D369,415 S * 4/1996 Boulton D24/224
D404,176 S * 1/1999 Goodin D32/3
D412,607 S * 8/1999 Goodin D32/3
D421,309 S * 2/2000 Riley D24/217
6,039,804 A * 3/2000 Kim C30B 7/00
117/206
D430,727 S * 9/2000 Wisniewski D3/201

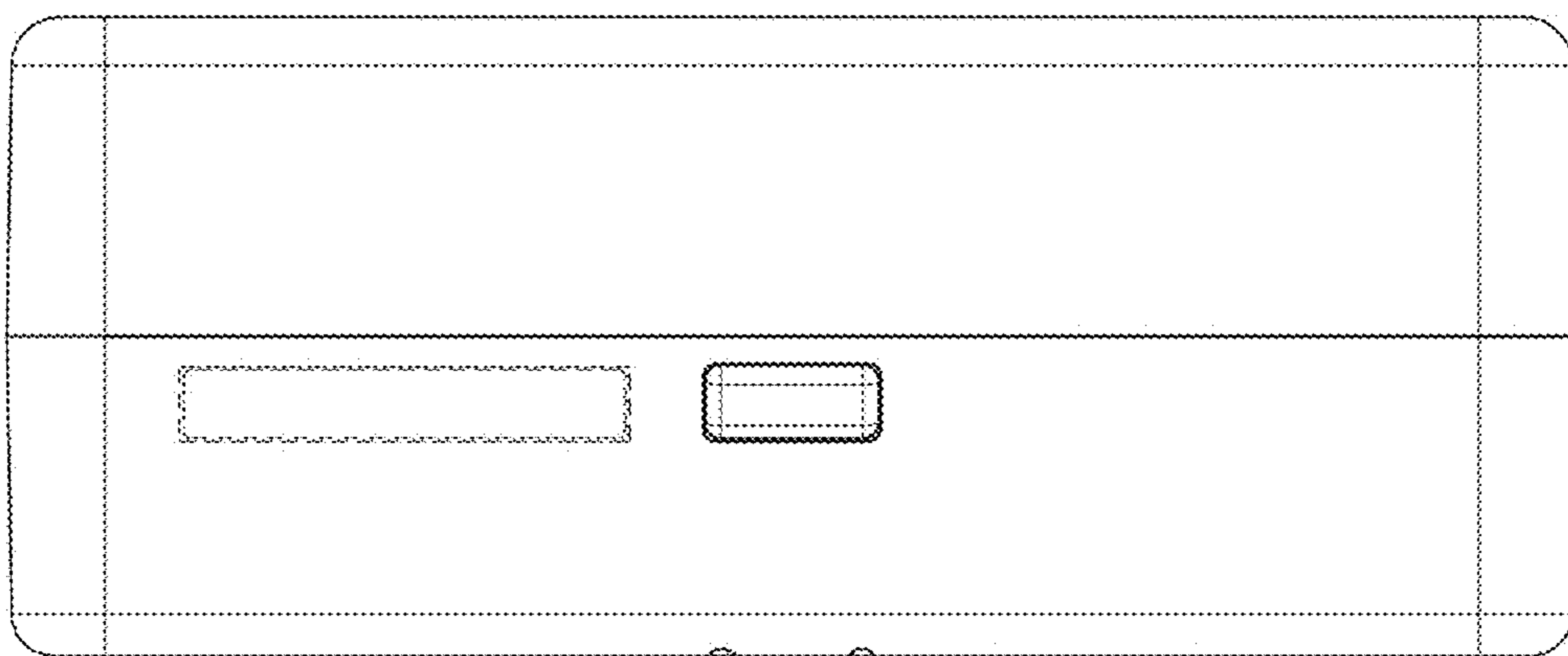
6,331,280 B1 * 12/2001 Wood A61L 2/26
206/268
D551,846 S * 10/2007 Ko D3/201
D557,814 S * 12/2007 Glenn D24/217
D687,565 S * 8/2013 Kawamura D24/224
D733,315 S * 6/2015 Lui D24/227
D733,318 S * 6/2015 Lui D24/227
D748,280 S * 1/2016 Lui D24/227
D824,534 S * 7/2018 Kelly D24/224
D846,264 S * 4/2019 Wu D3/201
D865,215 S * 10/2019 Dangelo D24/224
D867,614 S * 11/2019 Jones D24/227
D876,536 S * 2/2020 Shirley D18/50
10,575,933 B2 * 3/2020 Berg A61C 3/04
D887,701 S * 6/2020 Schaepers D3/203.1
D891,755 S * 8/2020 Prioleau D3/203.1
D893,740 S * 8/2020 Lv D24/217
D897,667 S * 10/2020 Taylor D3/206
D900,333 S * 10/2020 Xie D24/217
D914,233 S * 3/2021 Yi D24/217
D915,617 S * 4/2021 Yoo D24/217
D919,293 S * 5/2021 Fang D3/295
D919,294 S * 5/2021 Fang D3/295

OTHER PUBLICATIONS

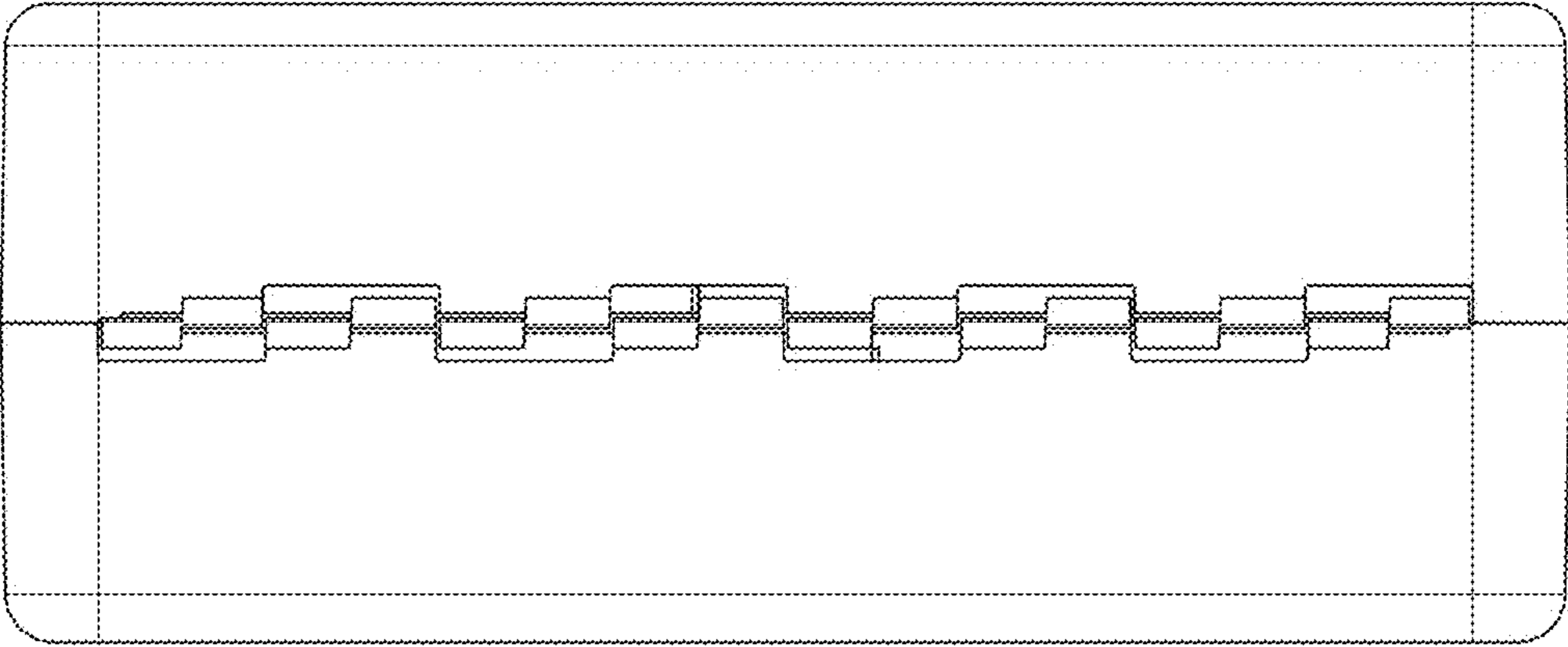
Canadian Office Action dated Jun. 23, 2021, in connection with corresponding CA Application No. 196905; 4 pages.
Brochure—"Straumann Basic Surgical Cassette", Jun. 2015, 10 pages.
Brochure—"Straumann Surgical Cassette", Jun. 2014, 4 pages.
Brochure—"Straumann BLX", Dec. 2018, 12 pages (see p. 7).

* cited by examiner

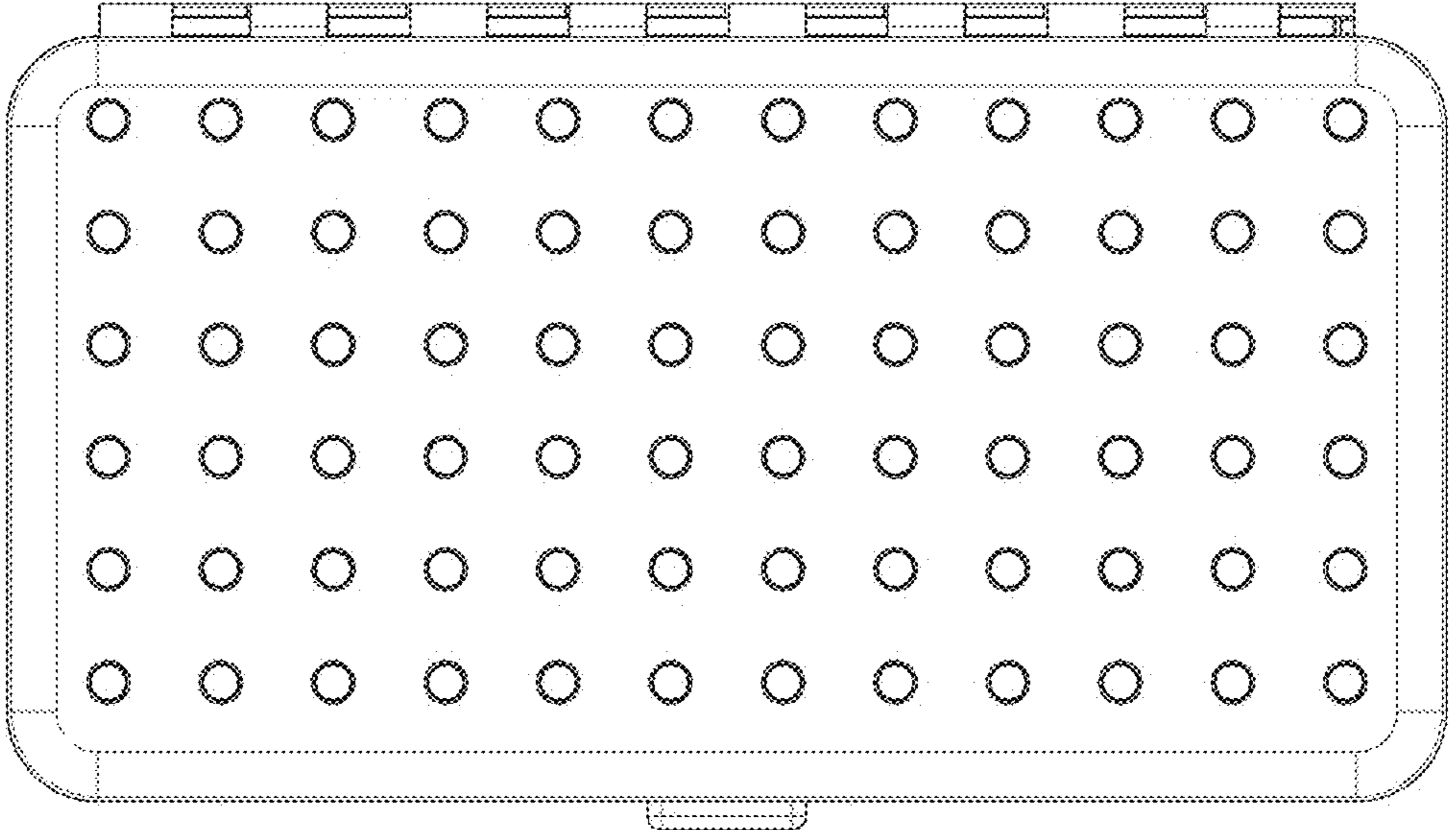
1.1



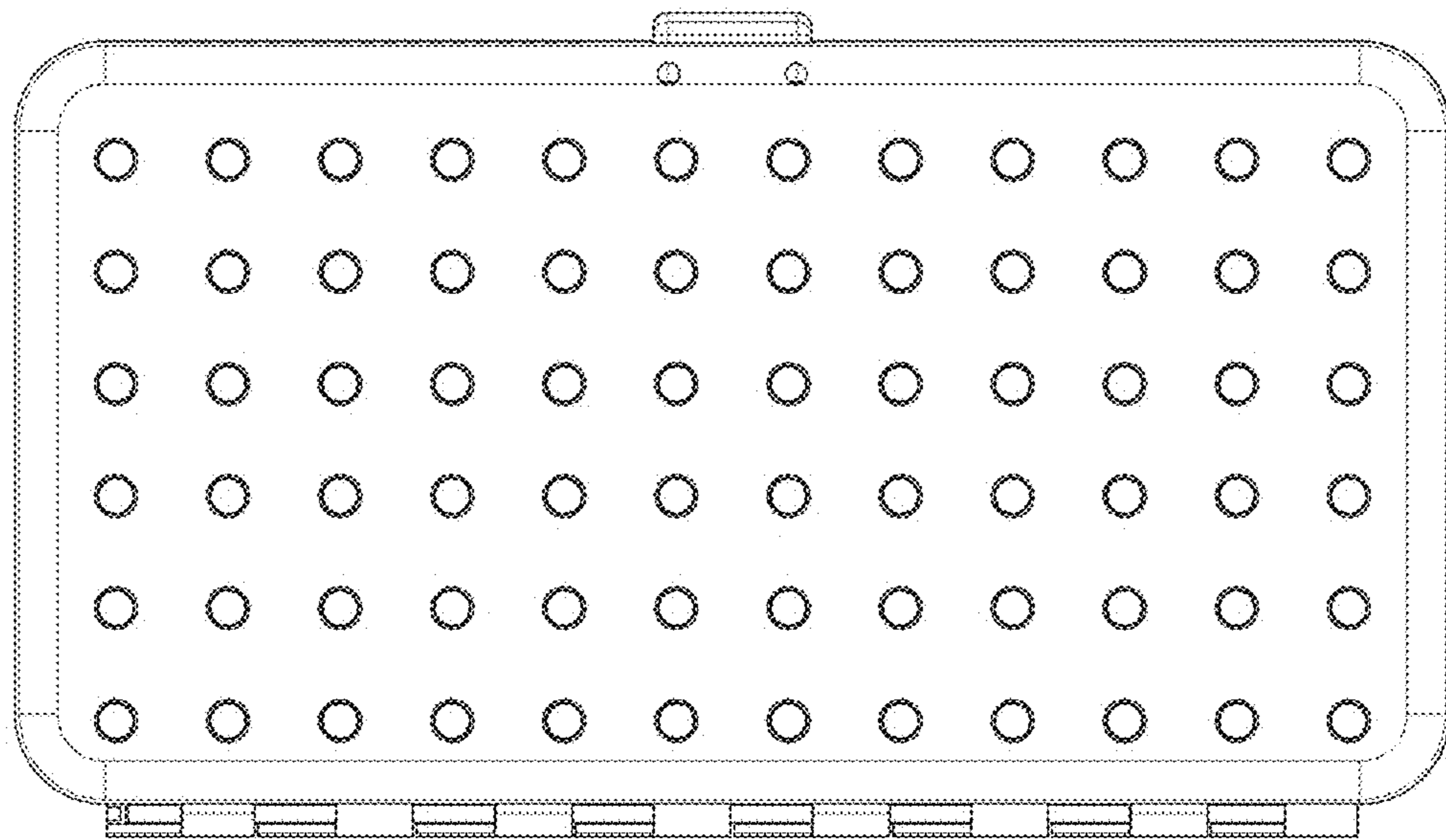
1.2



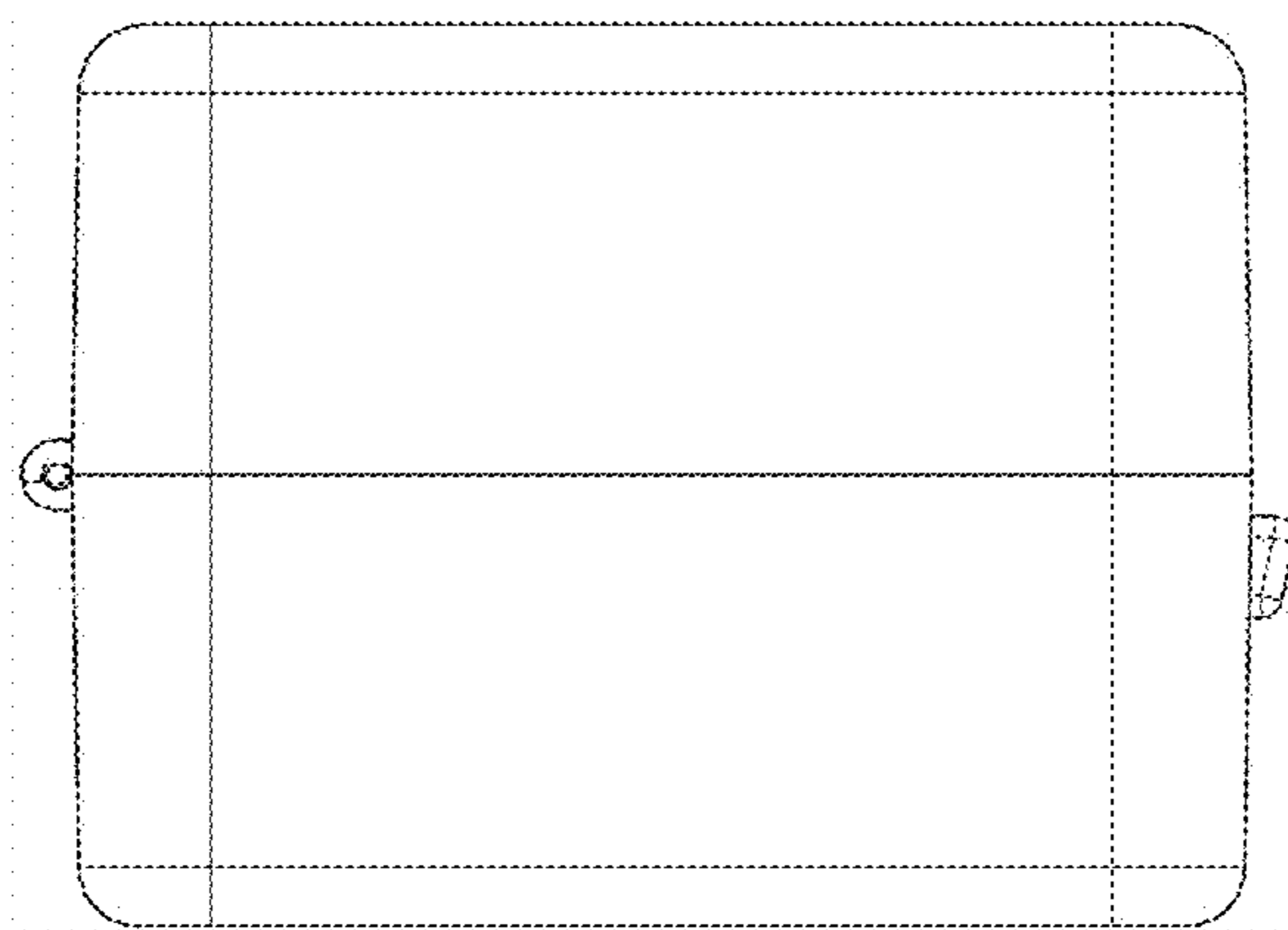
1.3



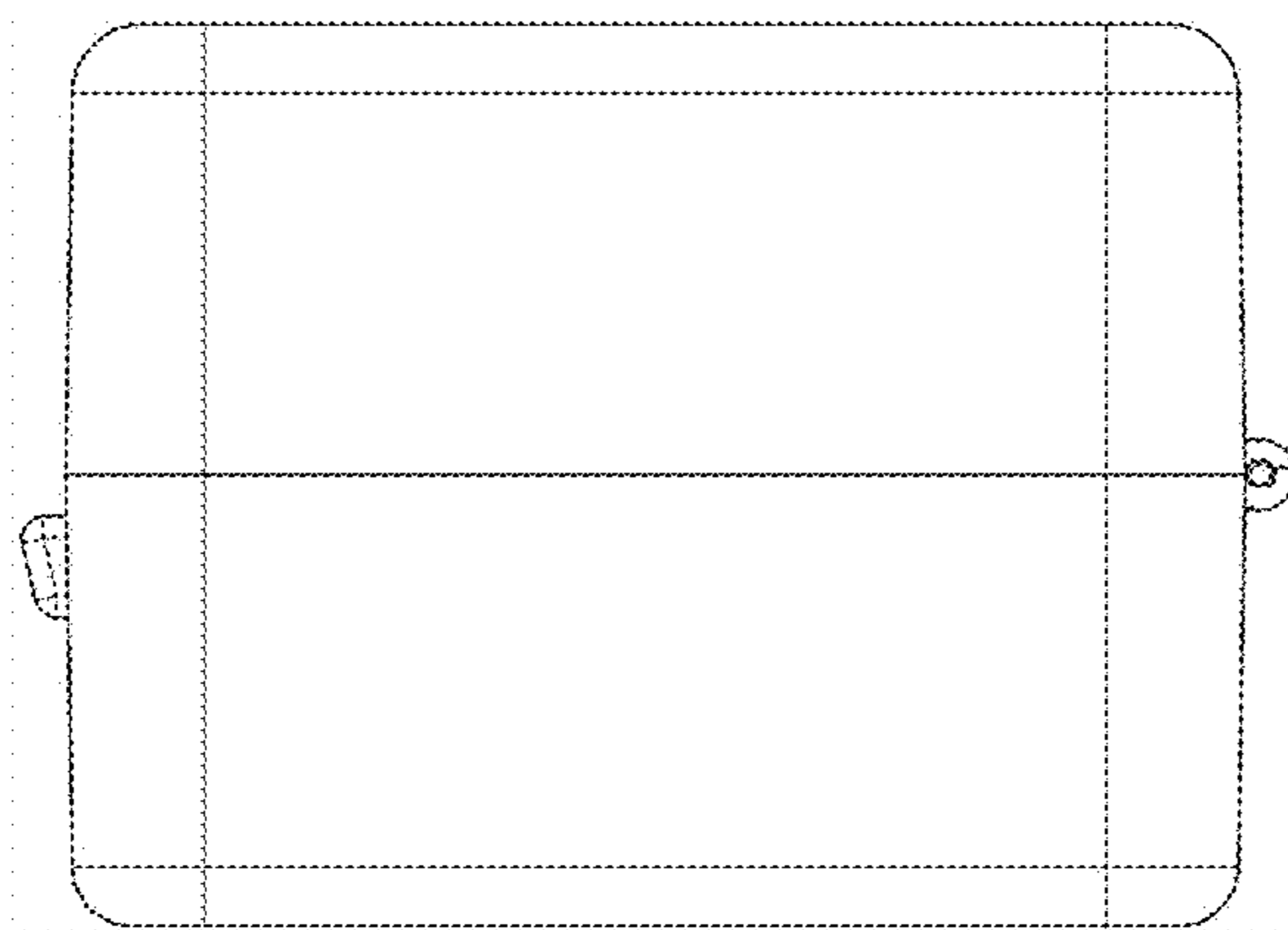
1.4



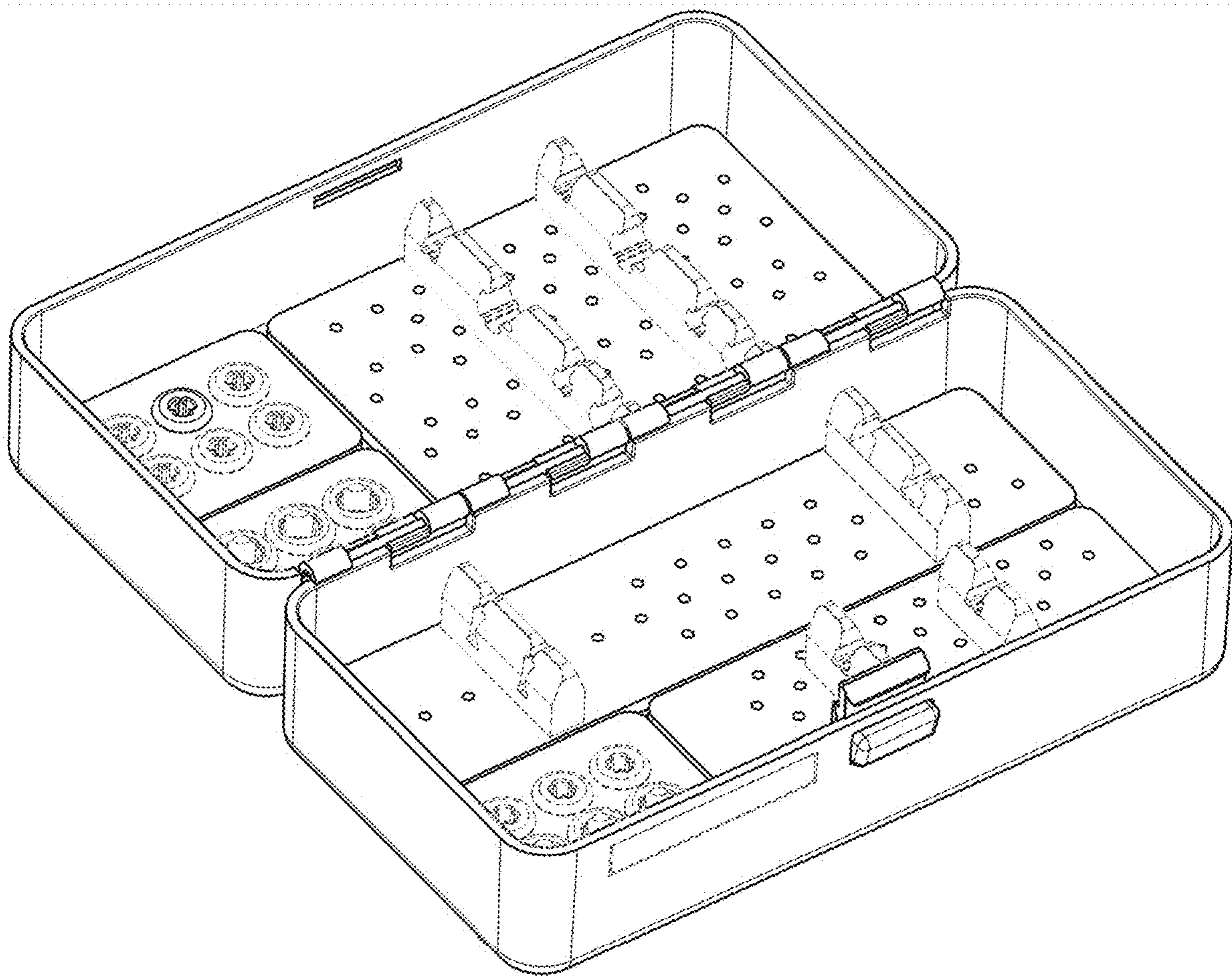
1.5



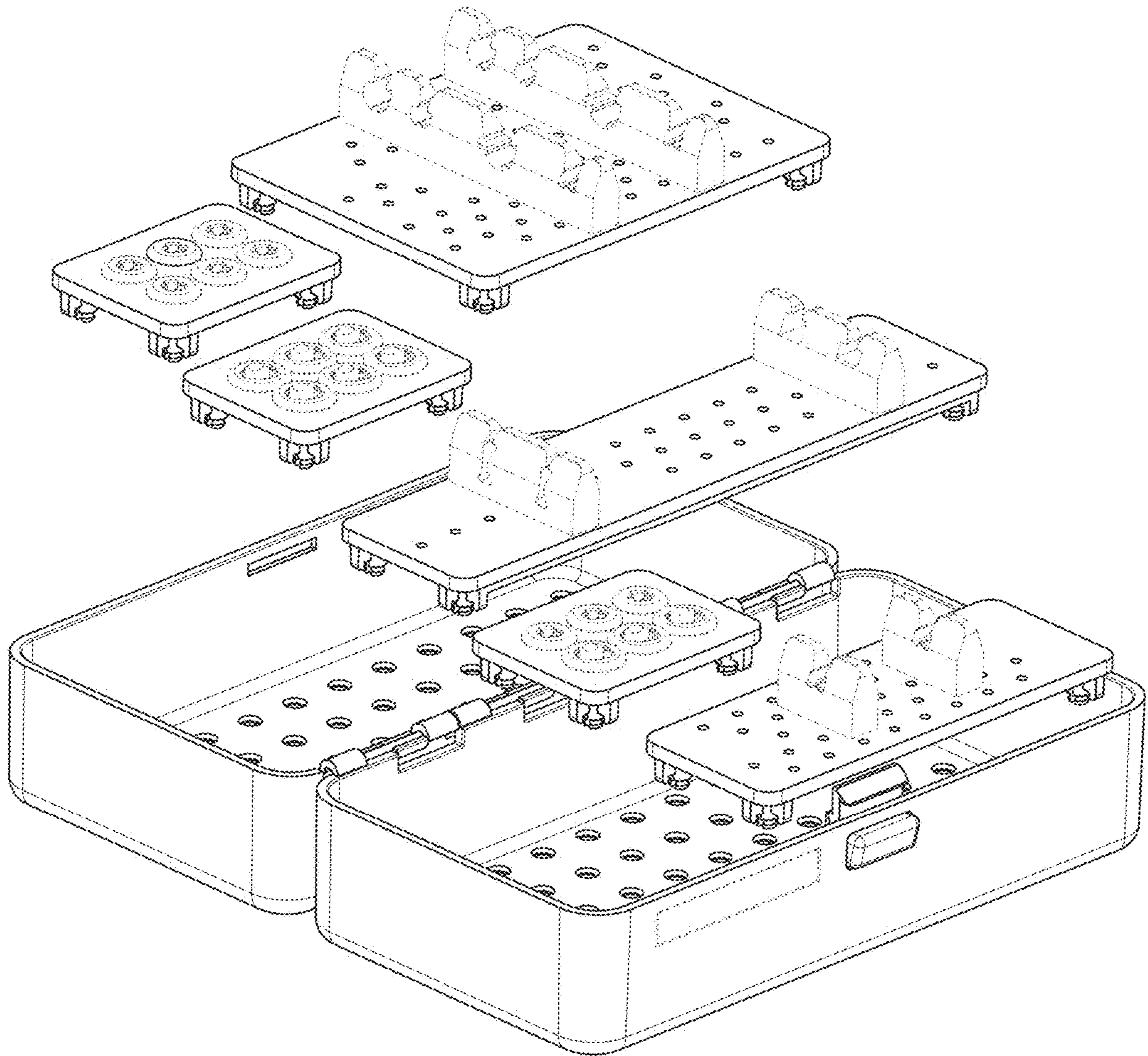
1.6



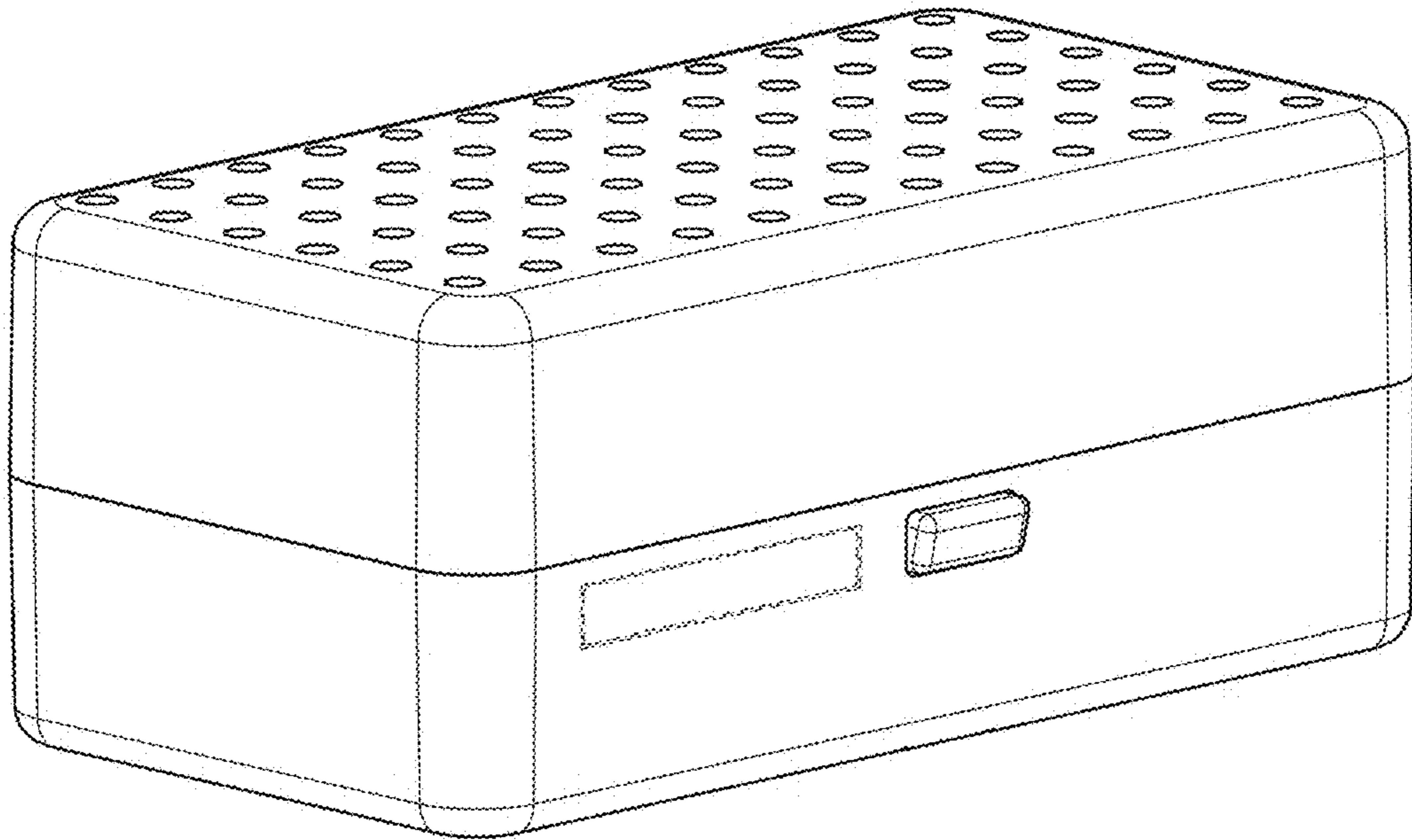
1.7



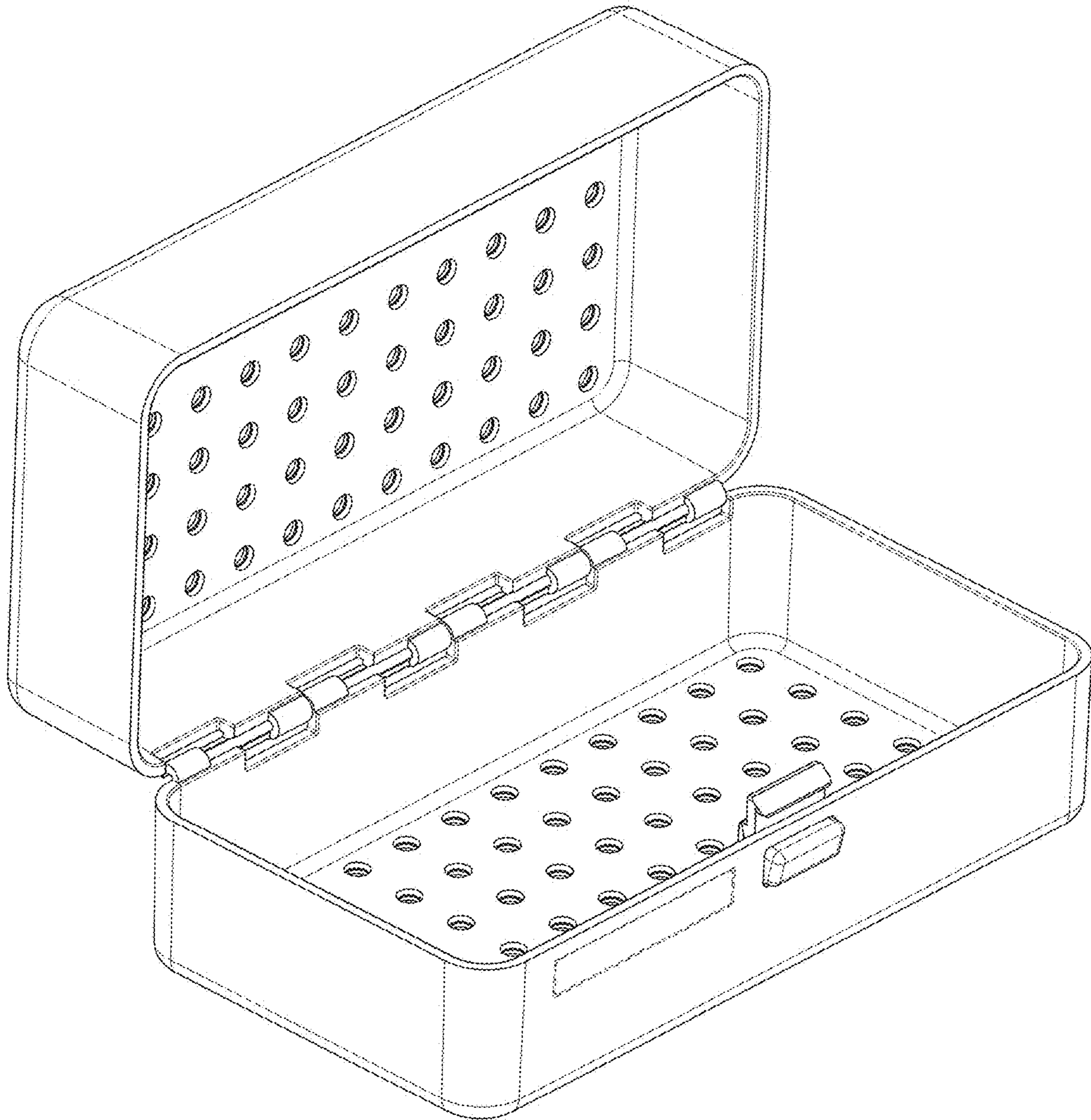
1.8



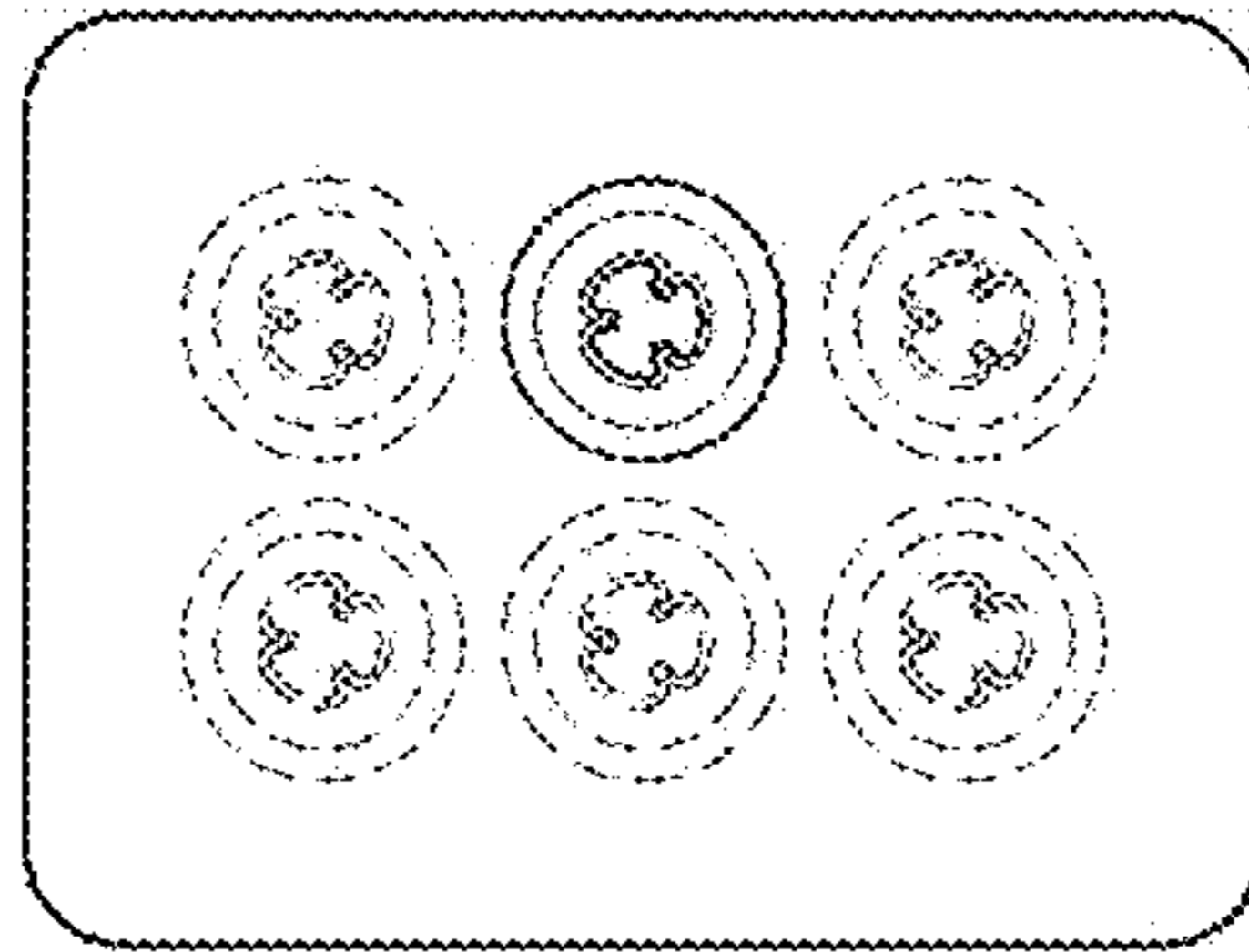
1.9



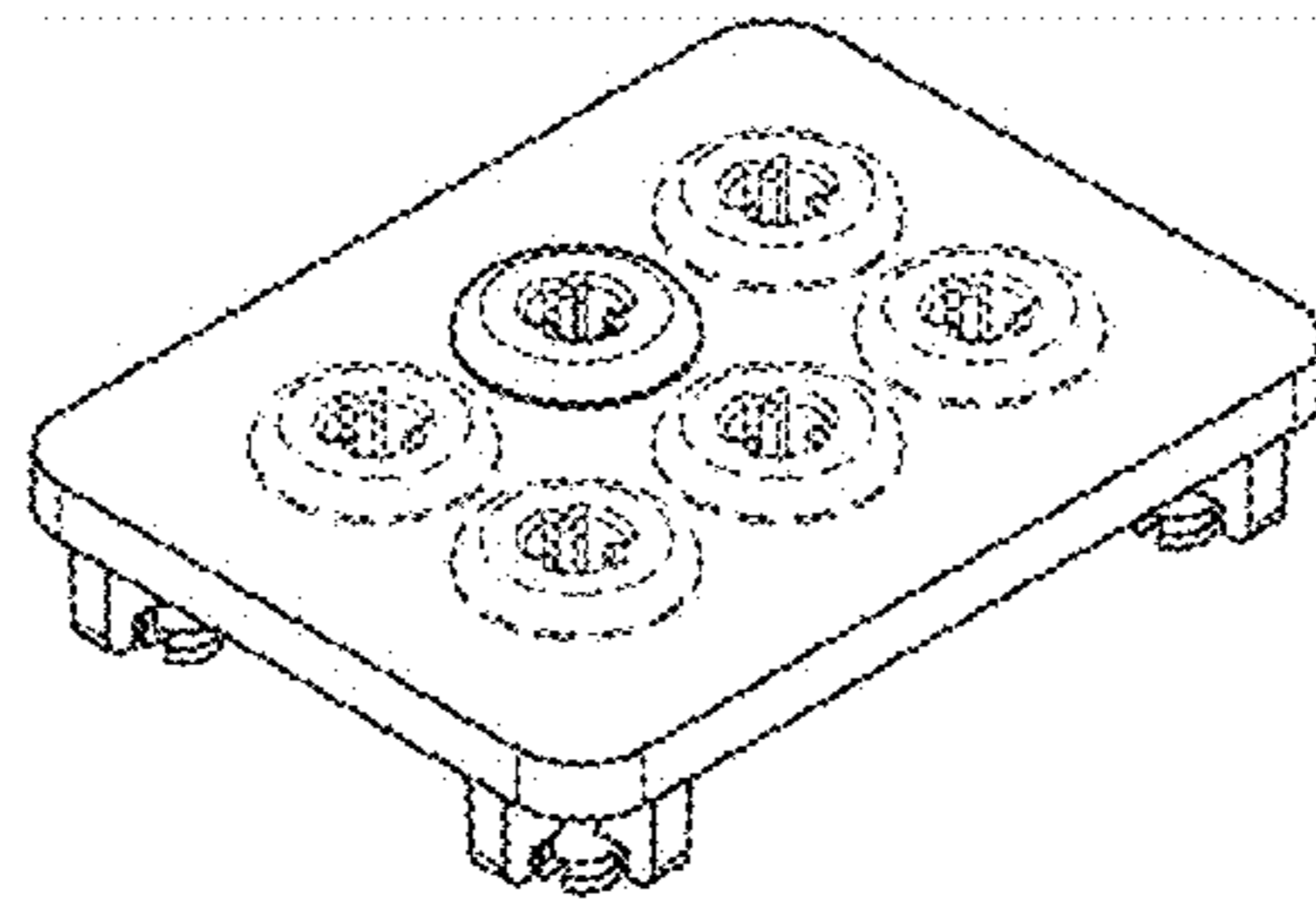
1.10



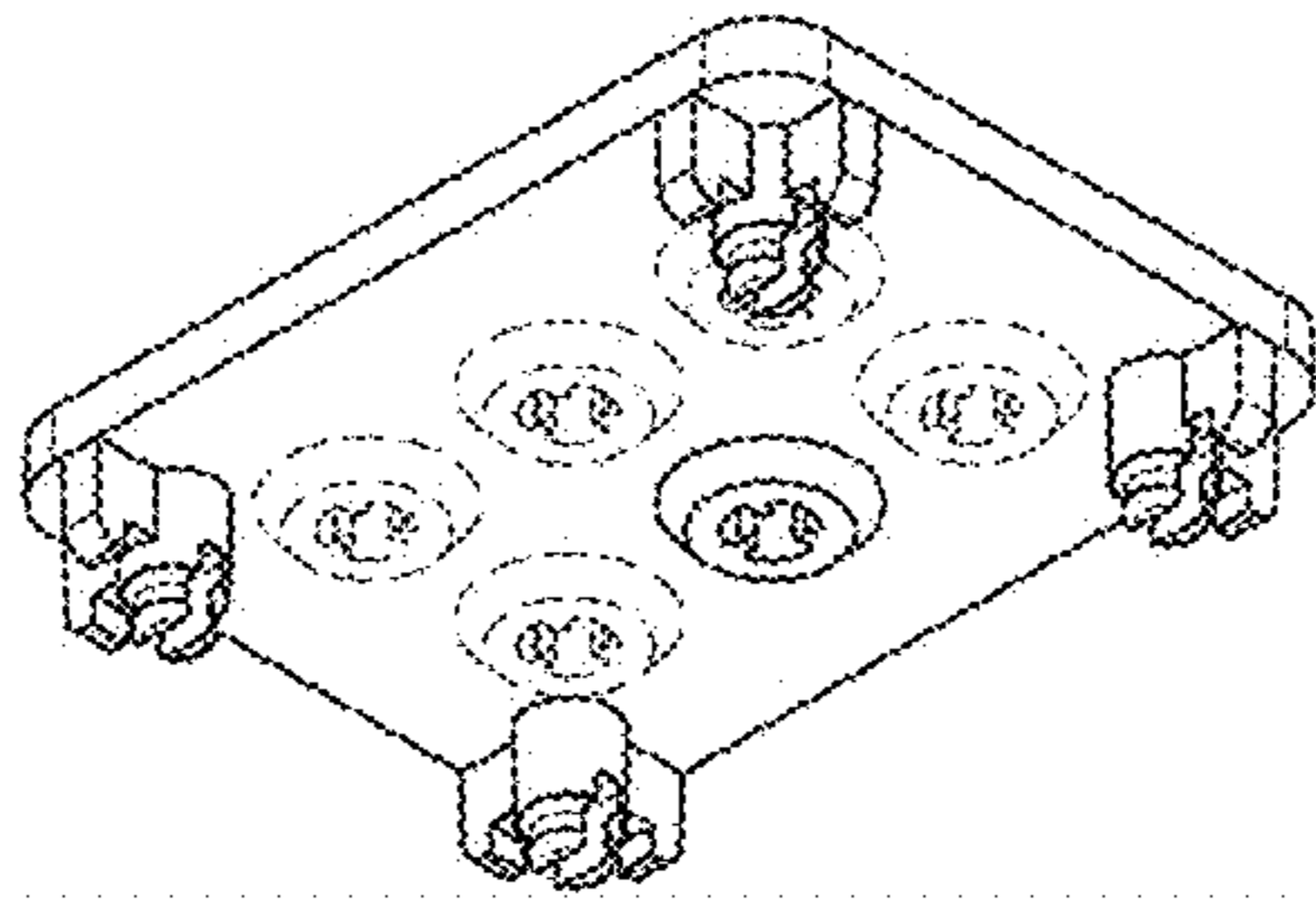
1.11



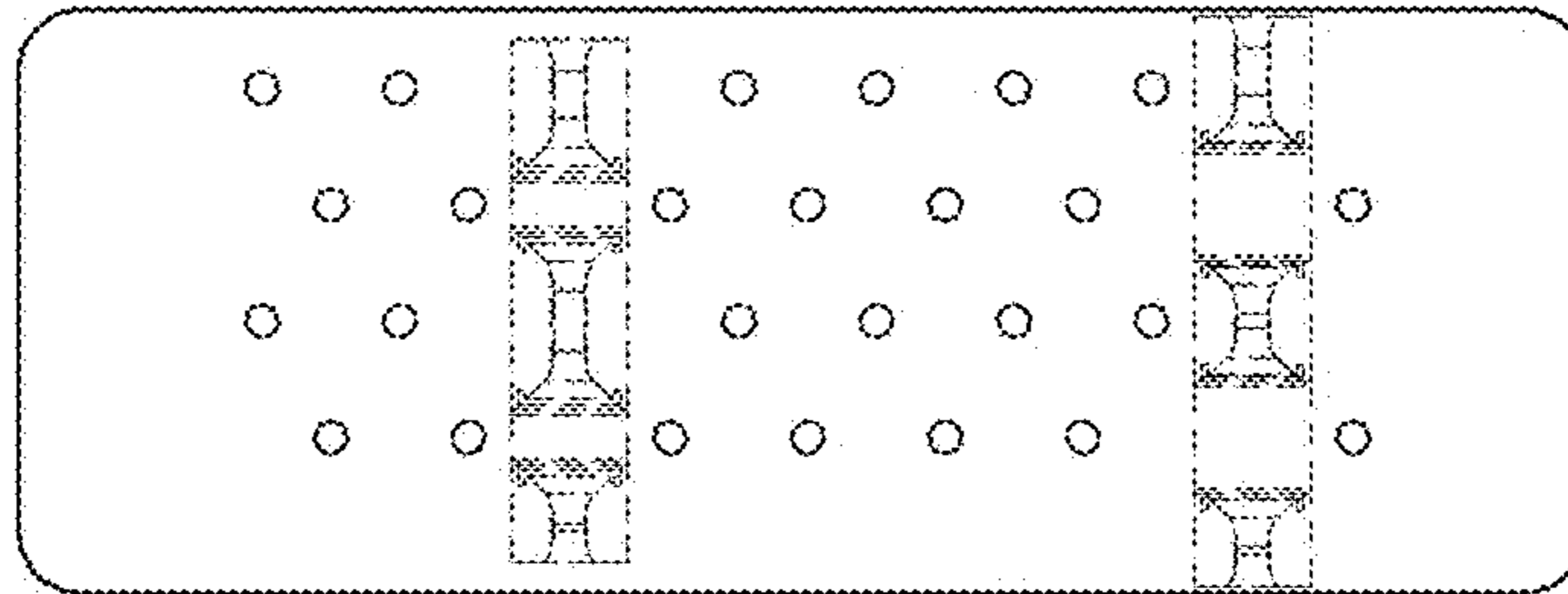
1.12



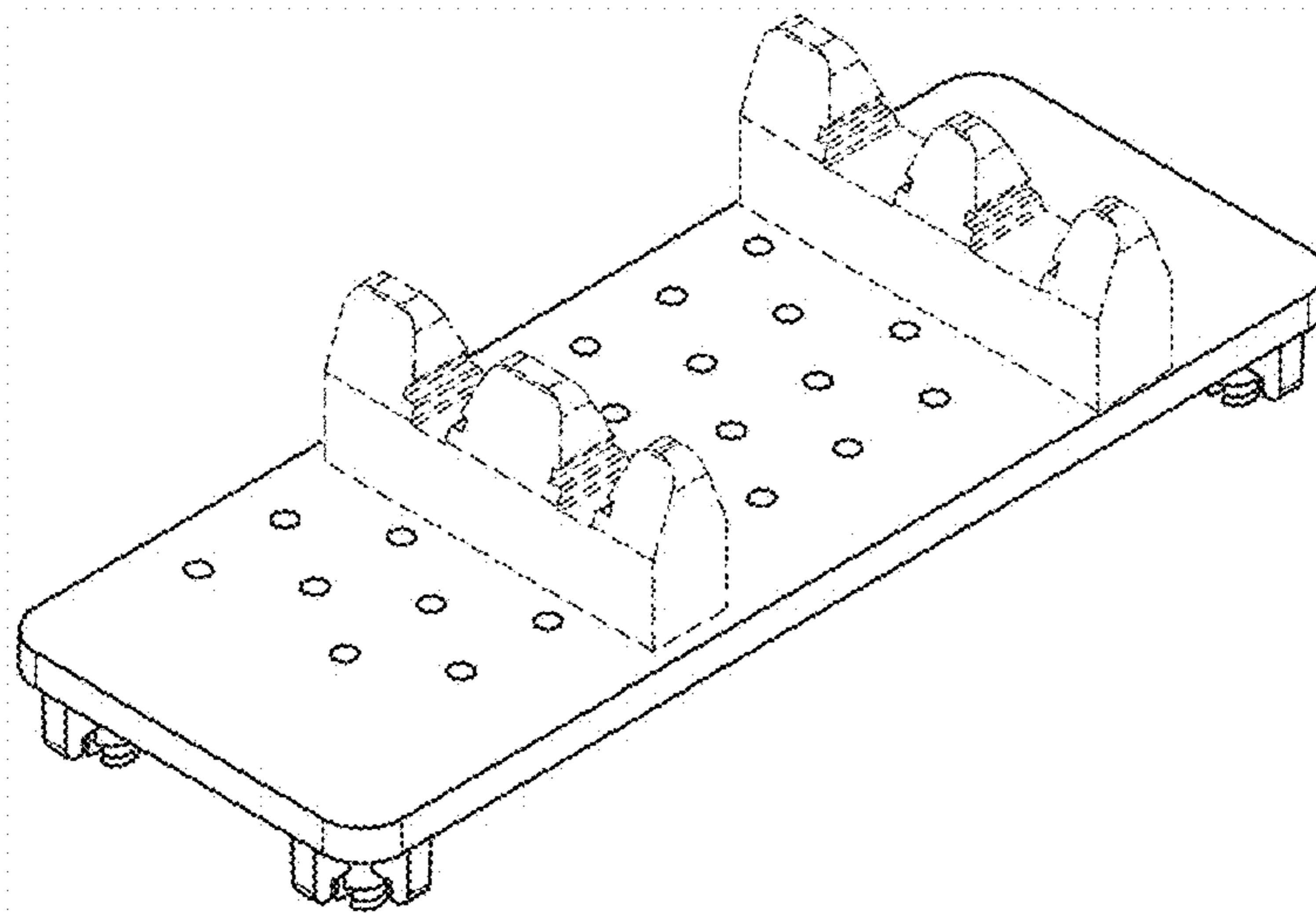
1.13



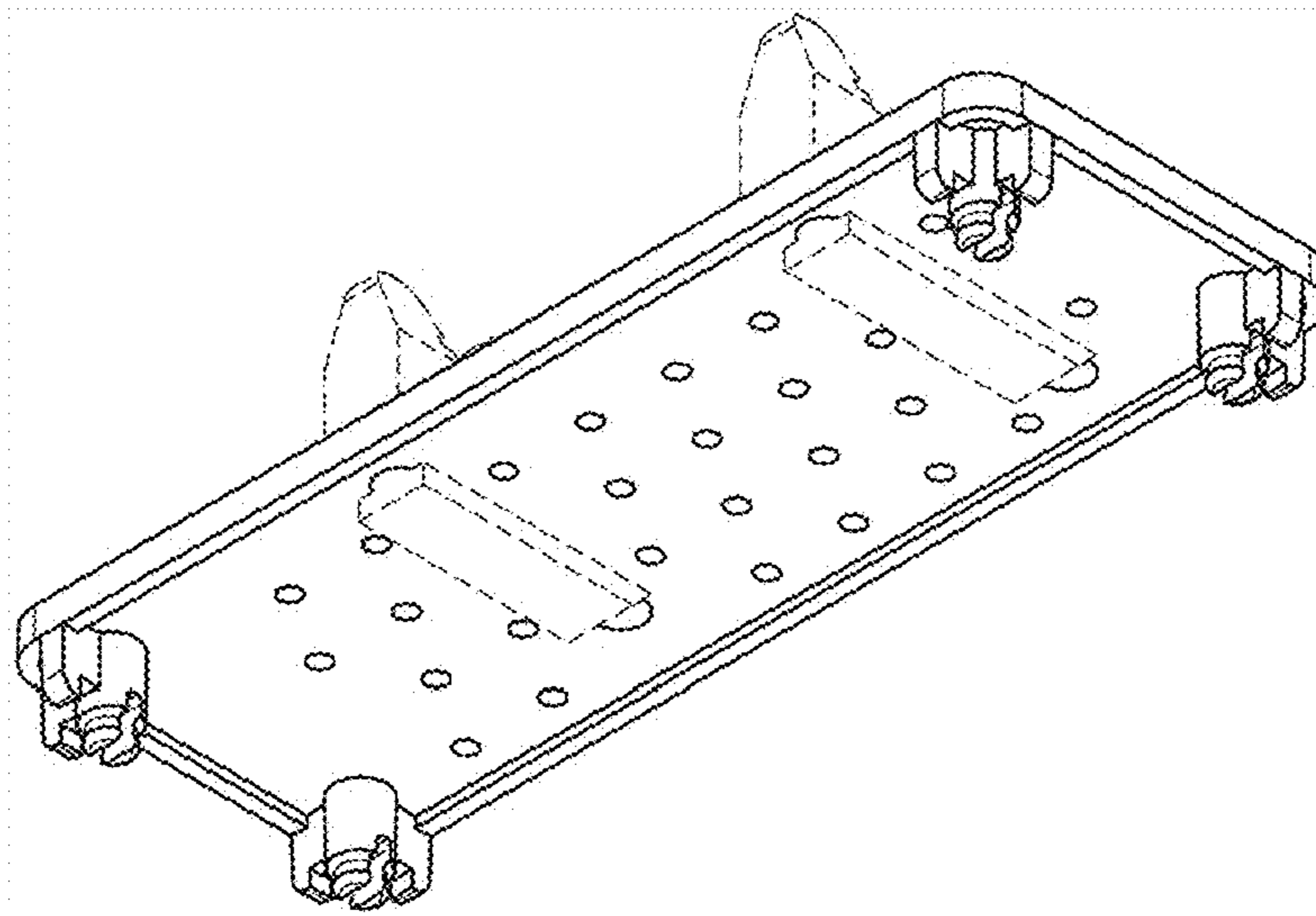
1.14



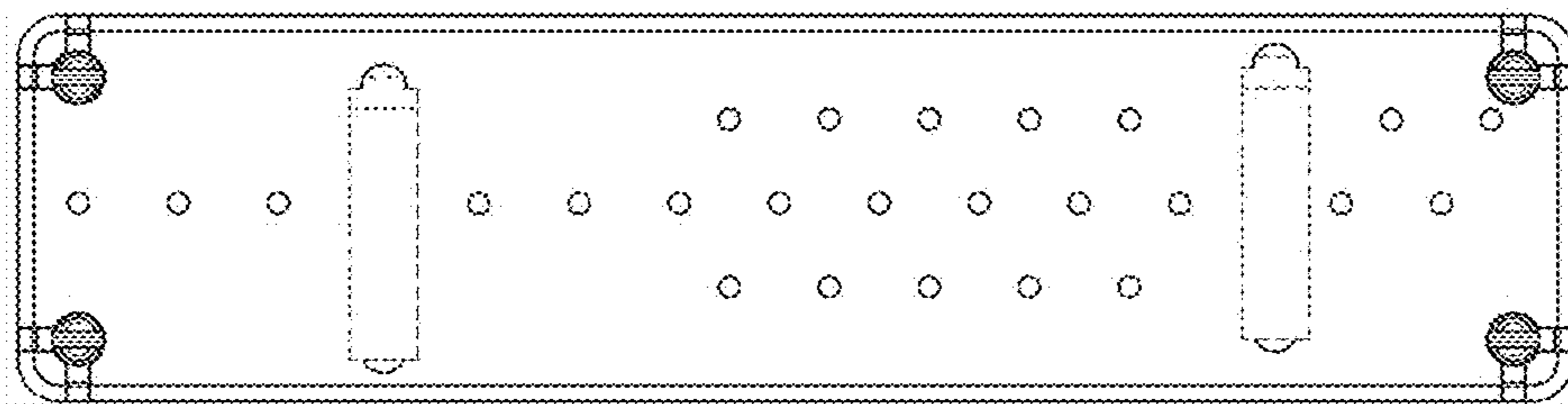
1.15



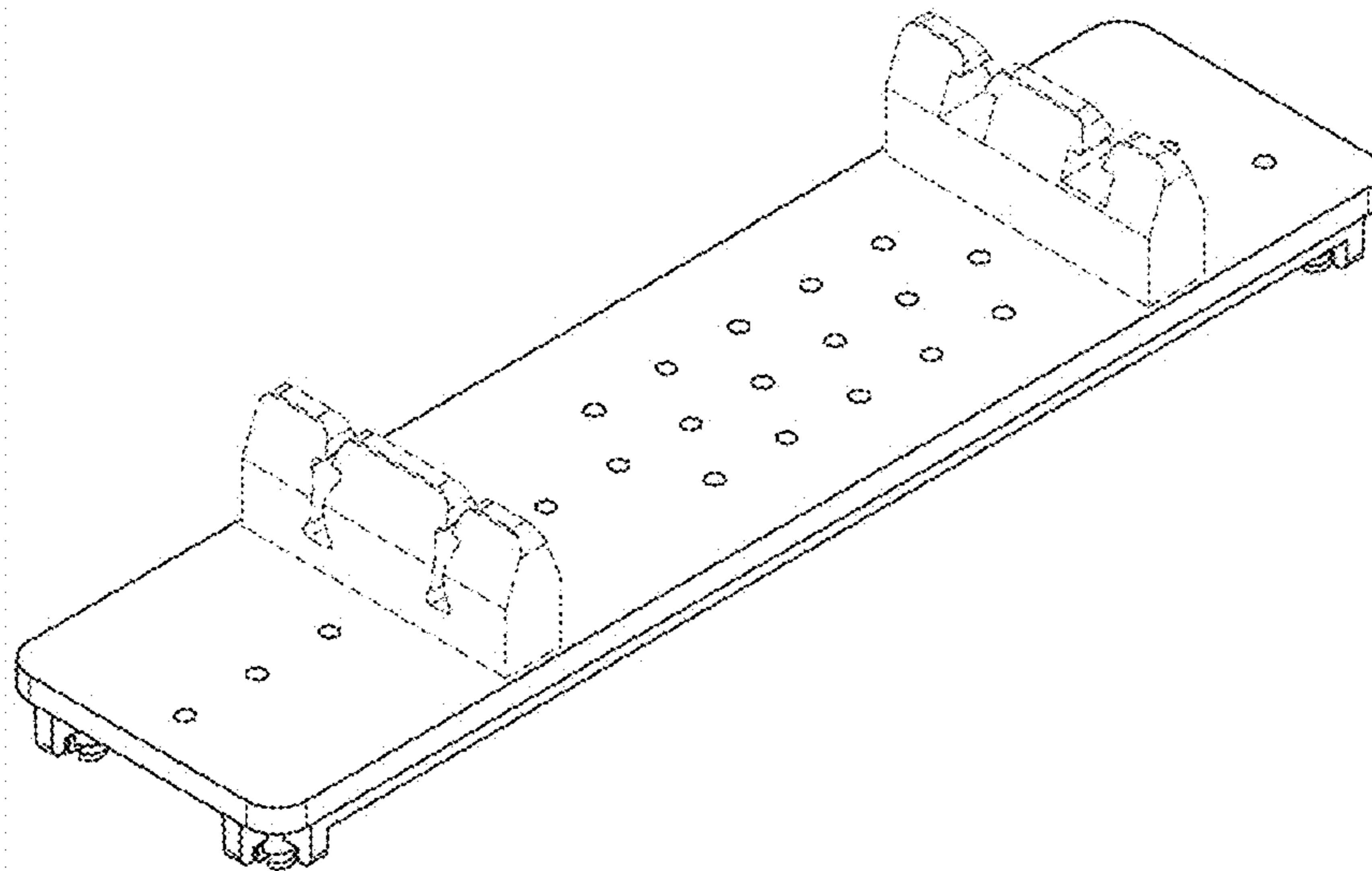
1.16



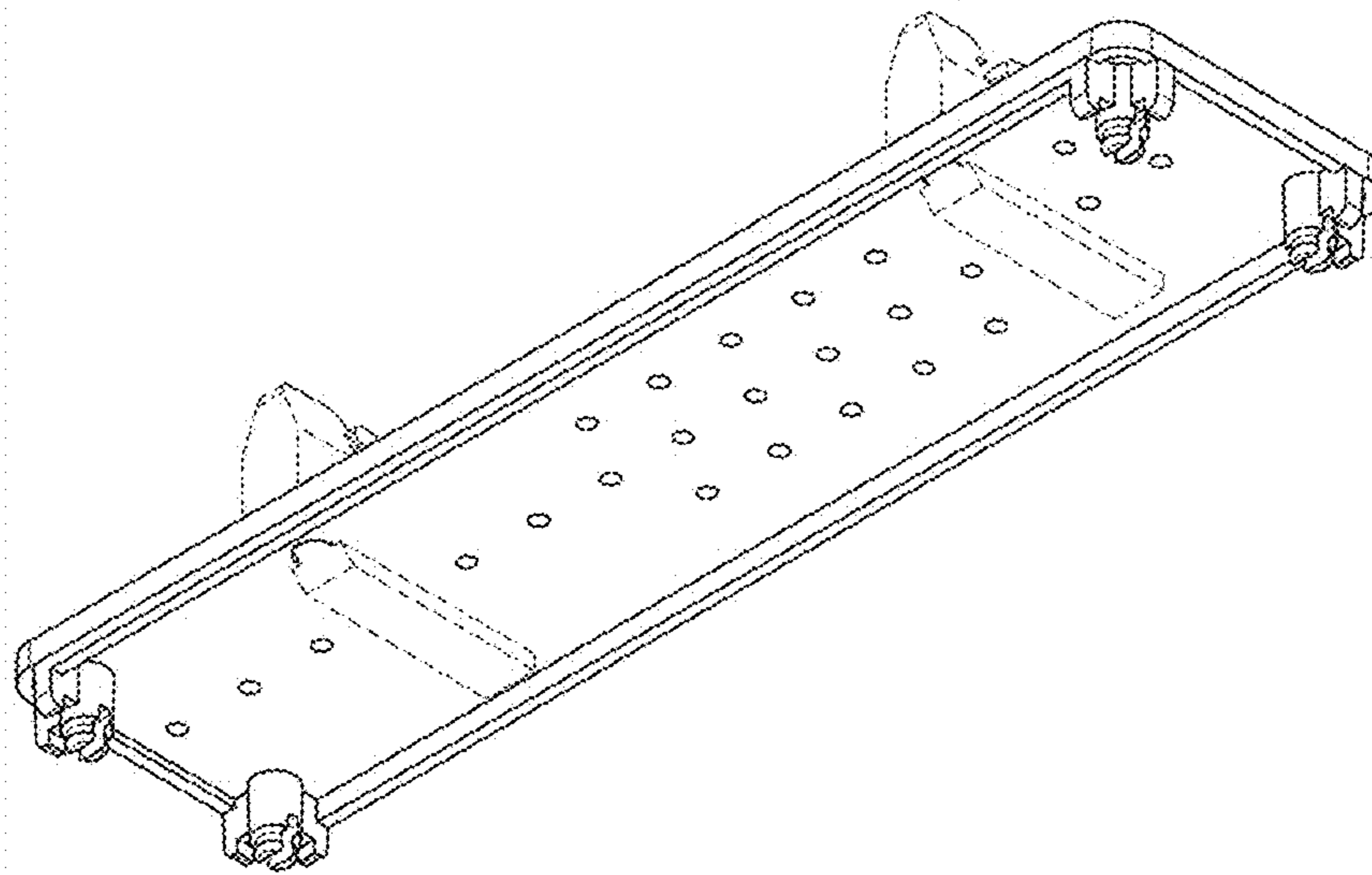
1.17



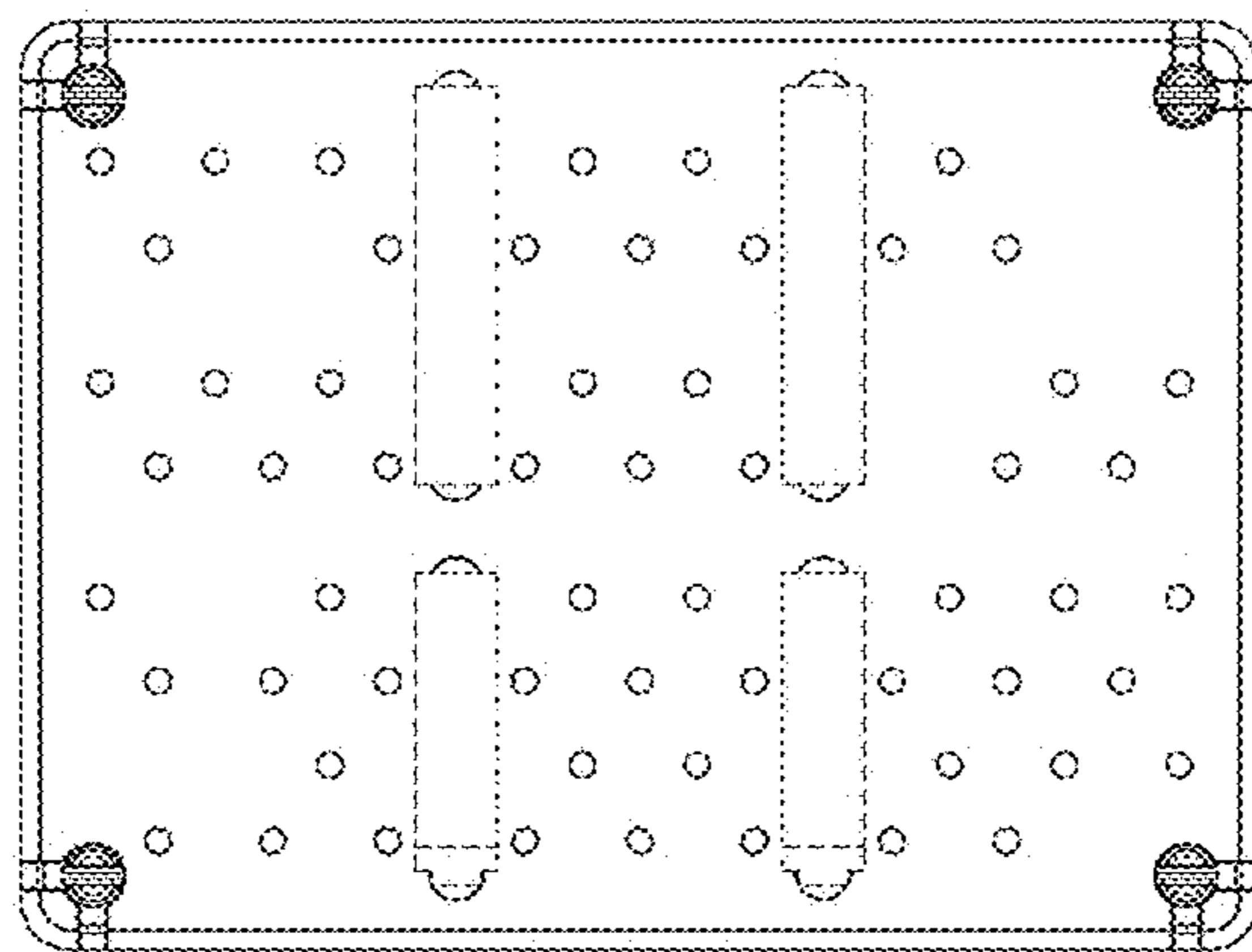
1.18



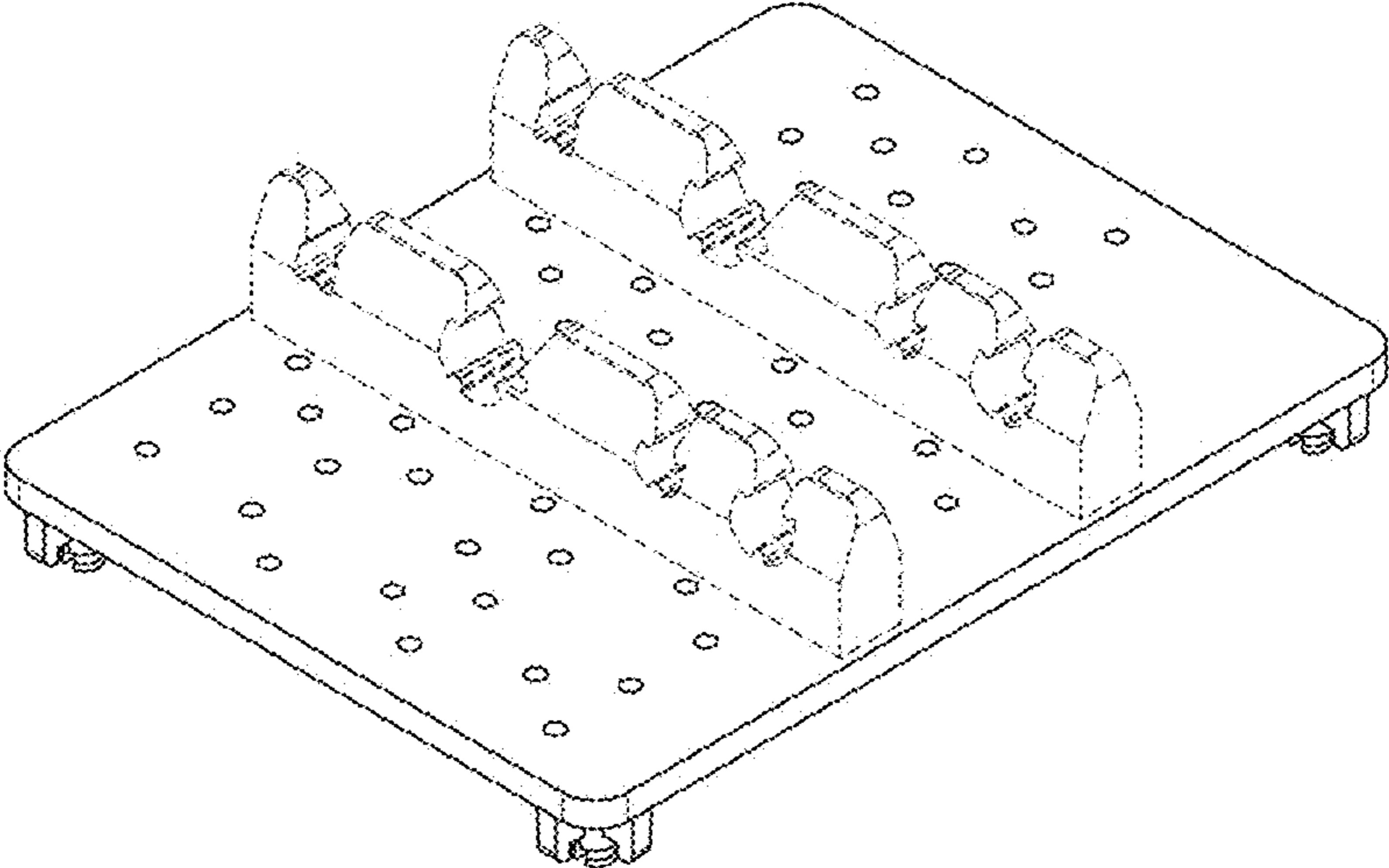
1.19



1.20



1.21



1.22

