



US00D945005S

(12) **United States Design Patent**  
**Gao**

(10) **Patent No.:** **US D945,005 S**  
(45) **Date of Patent:** **\*\* Mar. 1, 2022**

(54) **MESSAGE APPLIANCE**

(71) Applicant: **ZHONGSHAN DONGMAO  
HARDWARE PRODUCTS CO.,  
LTD.**, Zhongshan (CN)

(72) Inventor: **Endong Gao**, Zhongshan (CN)

(73) Assignee: **ZHONGSHAN DONGMAO  
HARDWARE PRODUCTS CO.,  
LTD.**, Zhongshan (CN)

(\*\*) Term: **15 Years**

(21) Appl. No.: **29/737,444**

(22) Filed: **Jun. 9, 2020**

(51) **LOC (13) Cl.** ..... **28-03**

(52) **U.S. Cl.**  
USPC ..... **D24/215**

(58) **Field of Classification Search**  
USPC ..... D24/215, 200, 211, 212, 213, 214, 133,  
D24/188, 107, 231; D8/14.1; D28/13  
CPC ..... A61H 9/00; A61H 9/005; A61H 9/0007;  
A61H 15/00; A61H 2015/0007; A61H  
2015/0042; A61H 23/00; A61H 23/006;  
A61H 2023/002; A61H 2201/0153; A61H  
2201/0157; A61H 7/004; A61H 1/00  
See application file for complete search history.

(56) **References Cited**

**U.S. PATENT DOCUMENTS**

- 1,482,546 A \* 2/1924 Curtis ..... A45D 27/04  
15/110
- 2,072,620 A \* 3/1937 Fitch ..... A46B 11/0024  
401/155
- D205,981 S \* 10/1966 Pak-Sang ..... D24/214
- D403,075 S \* 12/1998 Lie ..... D24/214
- D441,052 S \* 4/2001 Lu ..... D23/226
- D442,329 S \* 5/2001 Najjar ..... D26/38
- D591,365 S \* 4/2009 Pasko ..... D21/566

- D824,060 S \* 7/2018 Kunzendorf ..... D26/45
- D895,132 S \* 9/2020 Hu ..... D24/215
- 2019/0254921 A1\* 8/2019 Marton ..... A61H 23/006

**OTHER PUBLICATIONS**

LifePro—DynaMini. Date: Dec. 29, 2019. [online]. [Site visited Sep. 20, 2021]. Available from Internet URL: <https://www.walmart.com/ip/LifePro-DynaMini-Portable-Handheld-Deep-Muscle-Percussion-Massage-Gun-Silver/242334304> (Year: 2019).\*  
Mingto—Massage Gun. Date: Dec. 25, 2019. [online]. [Site visited Sep. 18, 2021]. Available from Internet URL: <https://www.amazon.co.uk/dp/B0833P5NCQ/> (Year: 2019).\*

(Continued)

*Primary Examiner* — Susan Bennett Hattan  
*Assistant Examiner* — Landon Thomas Cassell  
(74) *Attorney, Agent, or Firm* — Law Offices of Steven W. Weinrieb

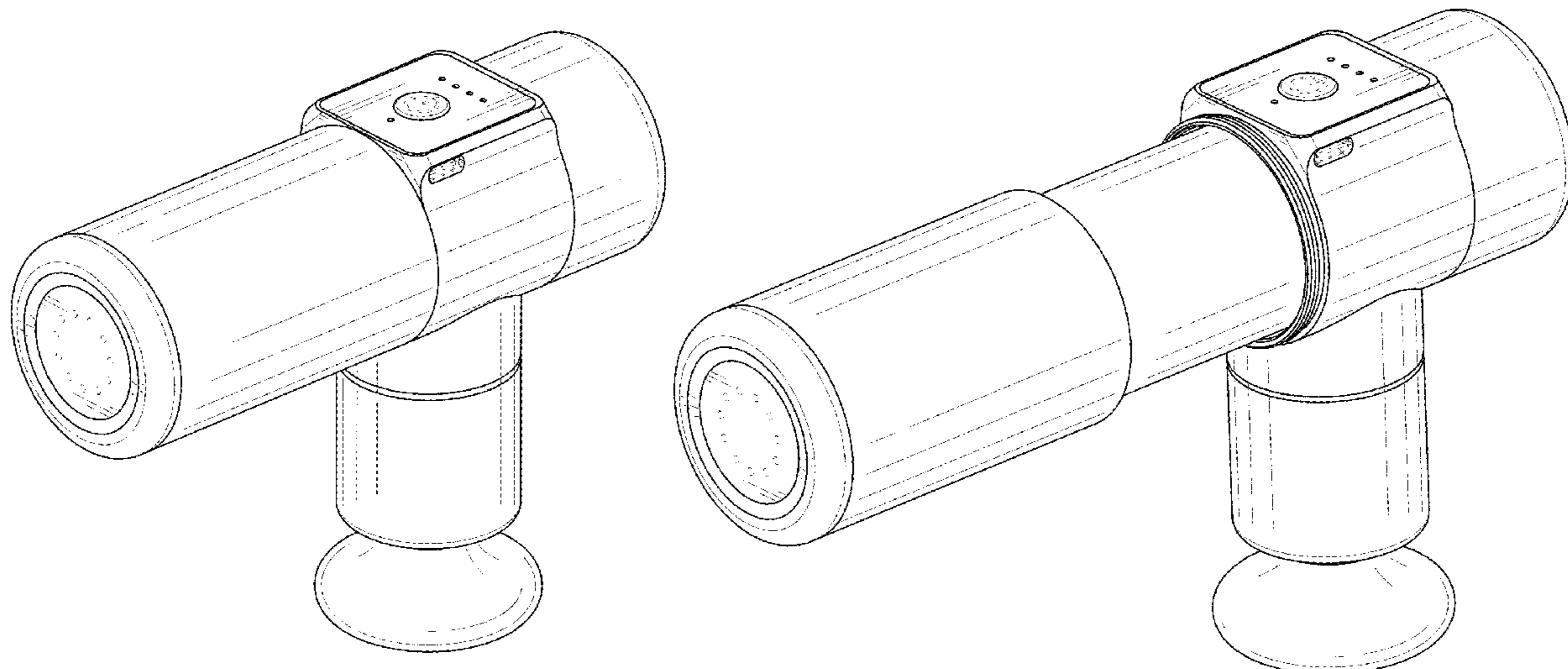
(57) **CLAIM**

The ornamental design for a massage appliance, as shown and described.

**DESCRIPTION**

FIG. 1 is a front, left side, top perspective view of a massage appliance showing my new design;  
FIG. 2 is a rear elevational view thereof;  
FIG. 3 is a front elevational view thereof;  
FIG. 4 is a right side elevational view thereof;  
FIG. 5 is a left side elevational view thereof;  
FIG. 6 is a top plan view thereof;  
FIG. 7 is a bottom plan view thereof; and,  
FIG. 8 is a front, left side, top perspective view thereof showing the barrel of the massage appliance disposed in an extended state.  
The broken lines depict portions of the massage appliance that form no part of the claimed design.

**1 Claim, 7 Drawing Sheets**



(56)

**References Cited**

OTHER PUBLICATIONS

Feiyutech Kica—Mini Massage Gun. Date: Apr. 17, 2020. [online]. [Site visited Sep. 18, 2021]. Available from Internet URL: <https://www.amazon.co.uk/dp/B087BCFFRG/> (Year: 2020).\*

Massagers. (Design—© Questel) orbit.com. [Online PDF compilation of references] 29 pgs. Print Dates Range Mar. 31, 2020-Jul. 17, 2020 [Retrieved Sep. 20, 2021] <https://www.orbit.com/export/UCZAH96B/pdf4/f6f63f08-60ed-4b59-91d4-40b5a8ed6882-202440.pdf> (Year: 2021).\*

\* cited by examiner

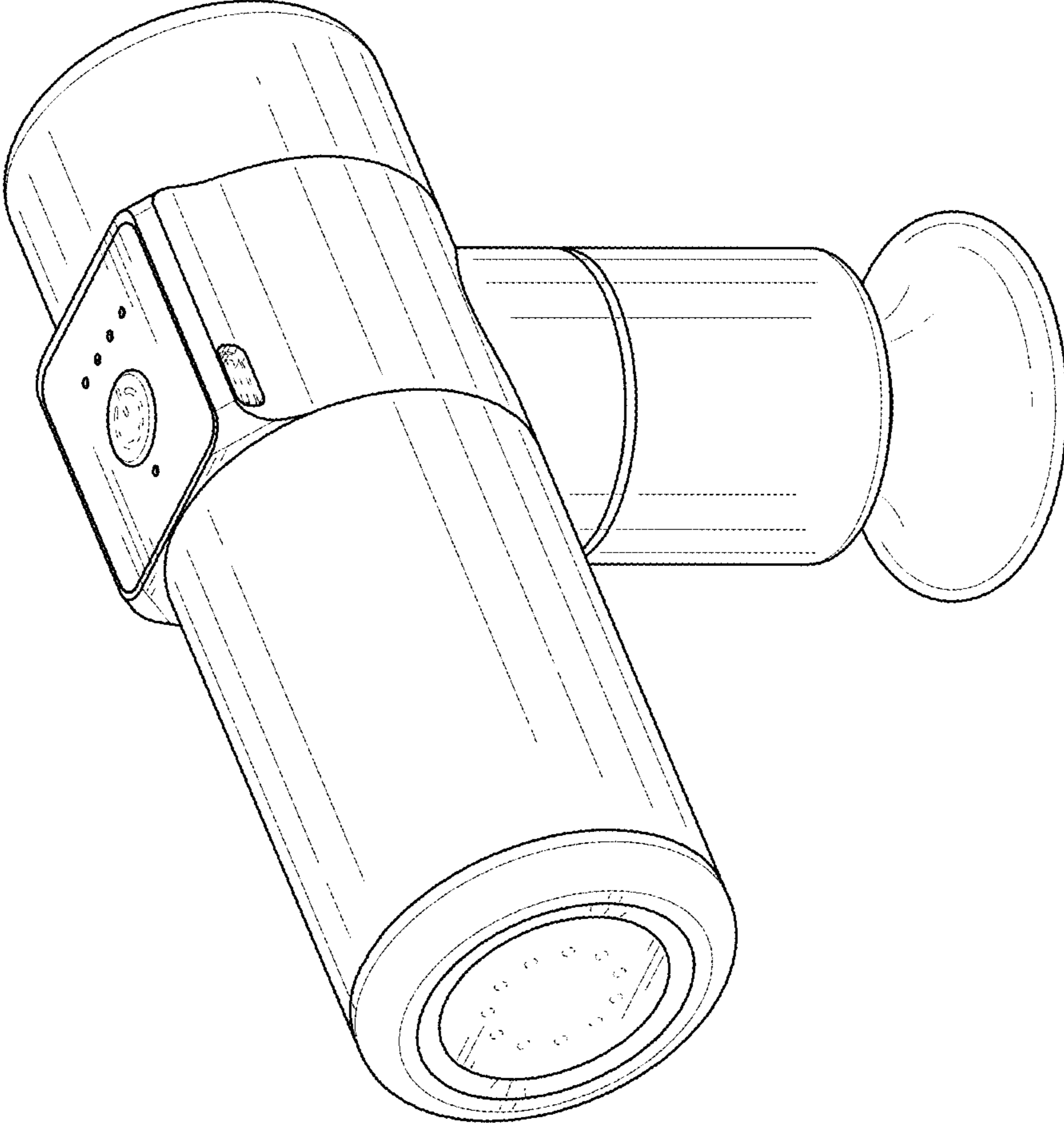


FIG.1

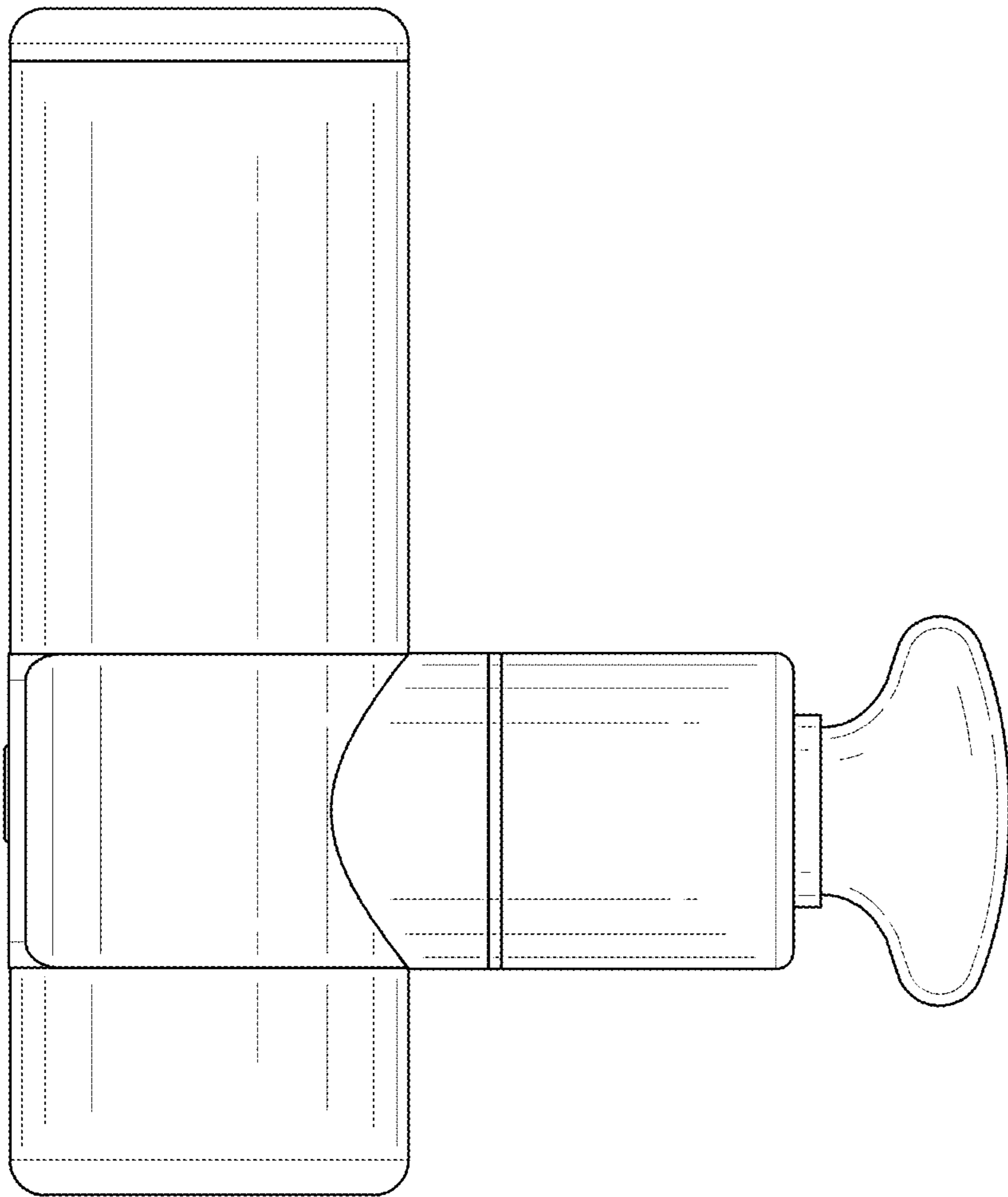


FIG.2

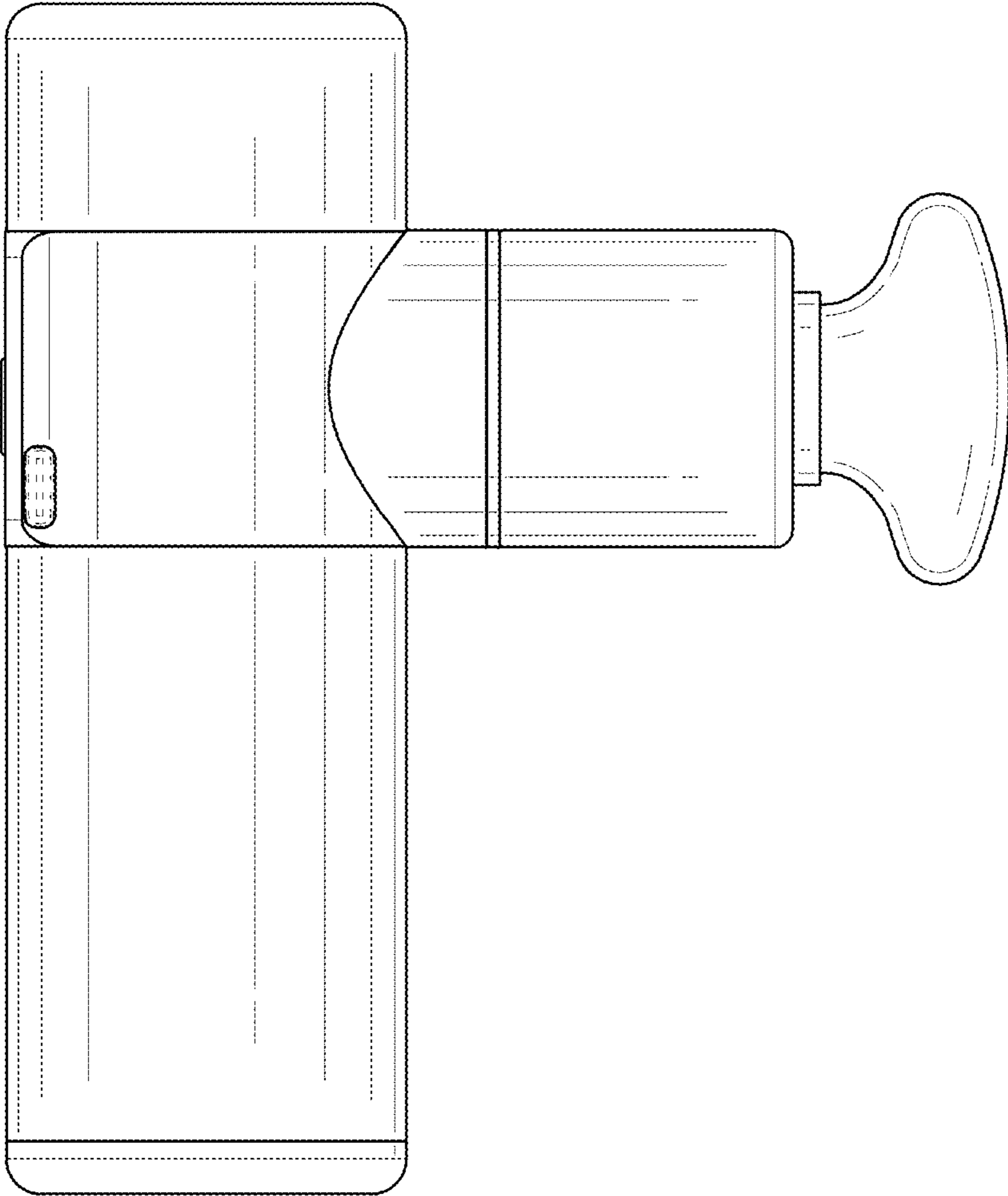


FIG.3

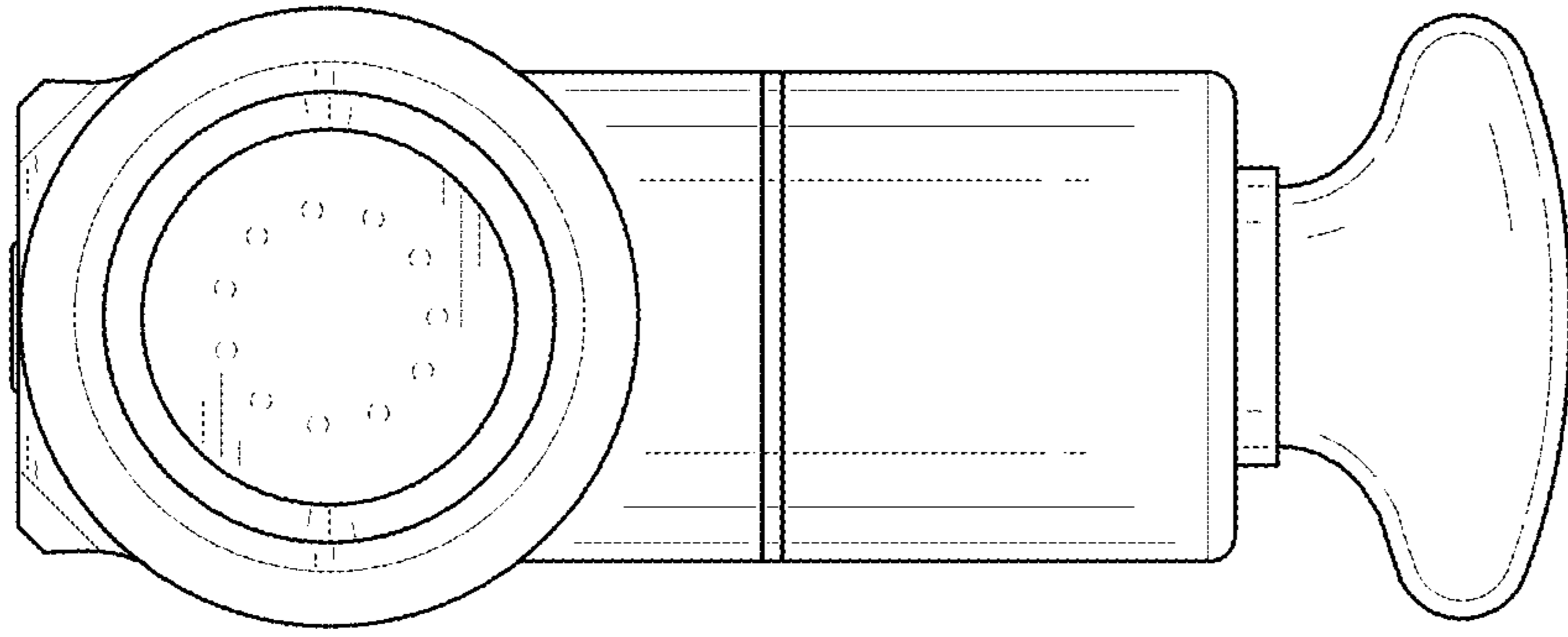


FIG.5

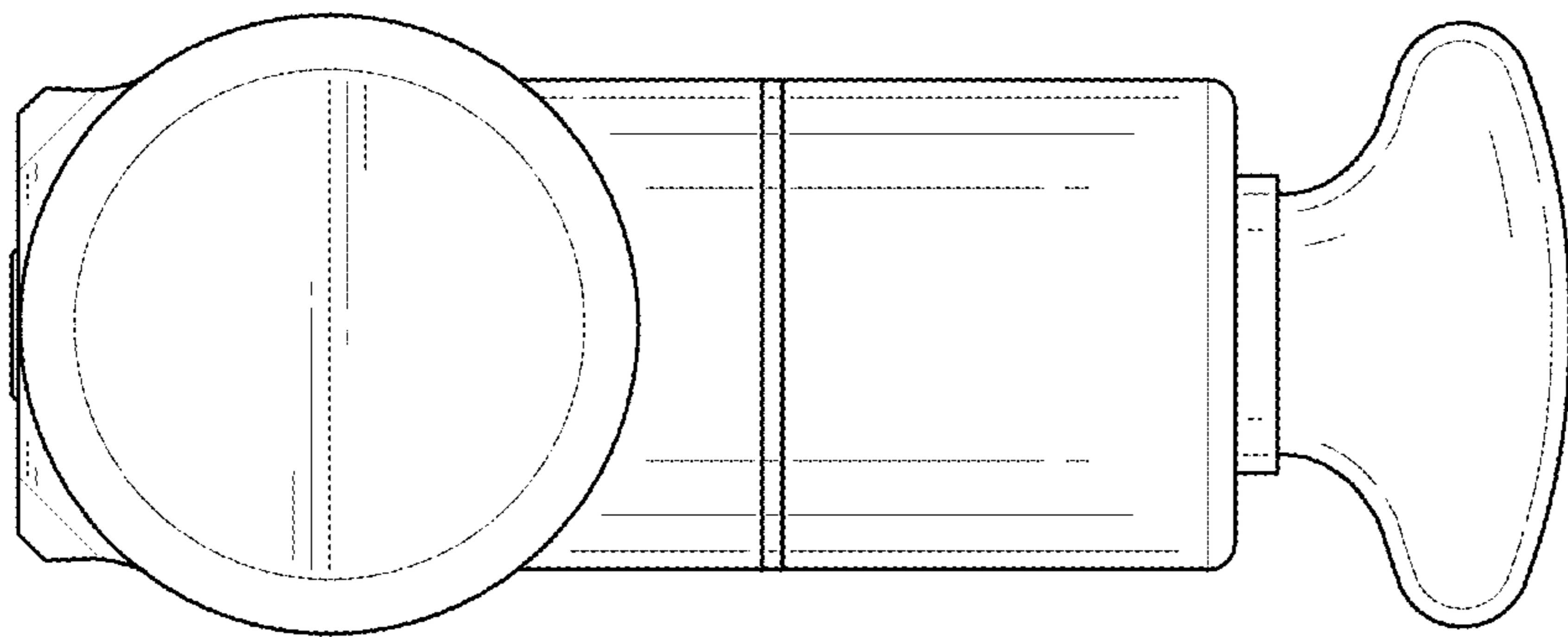


FIG.4

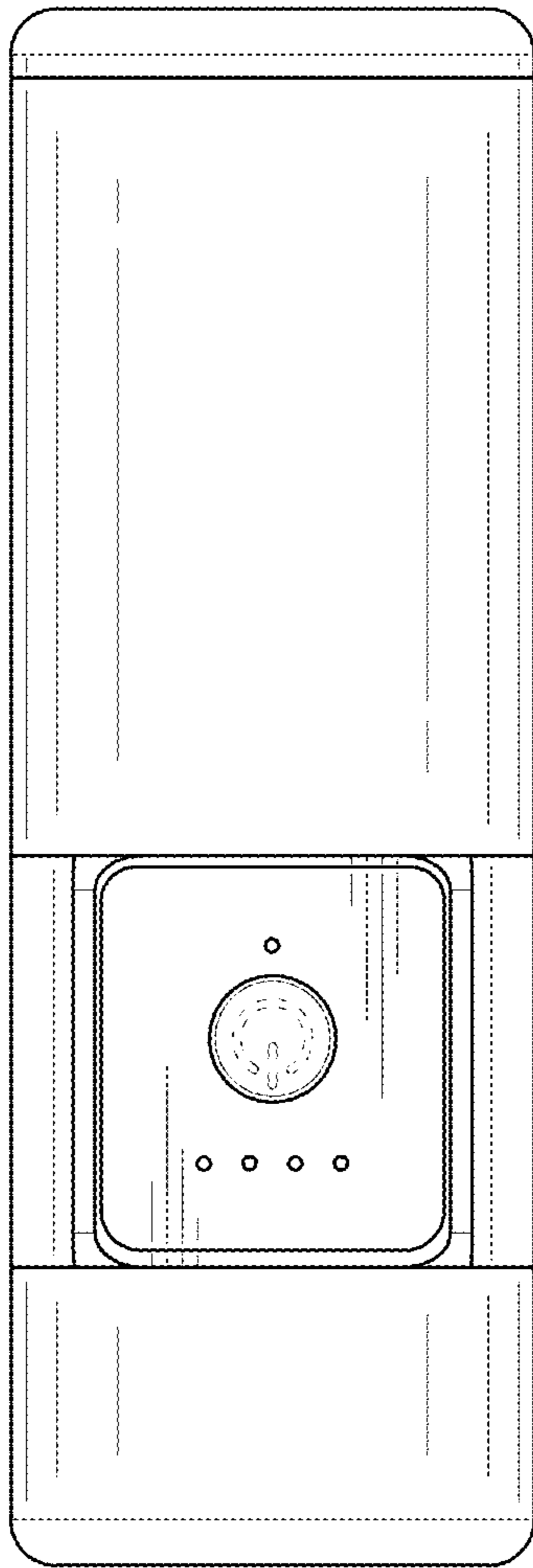


FIG.6

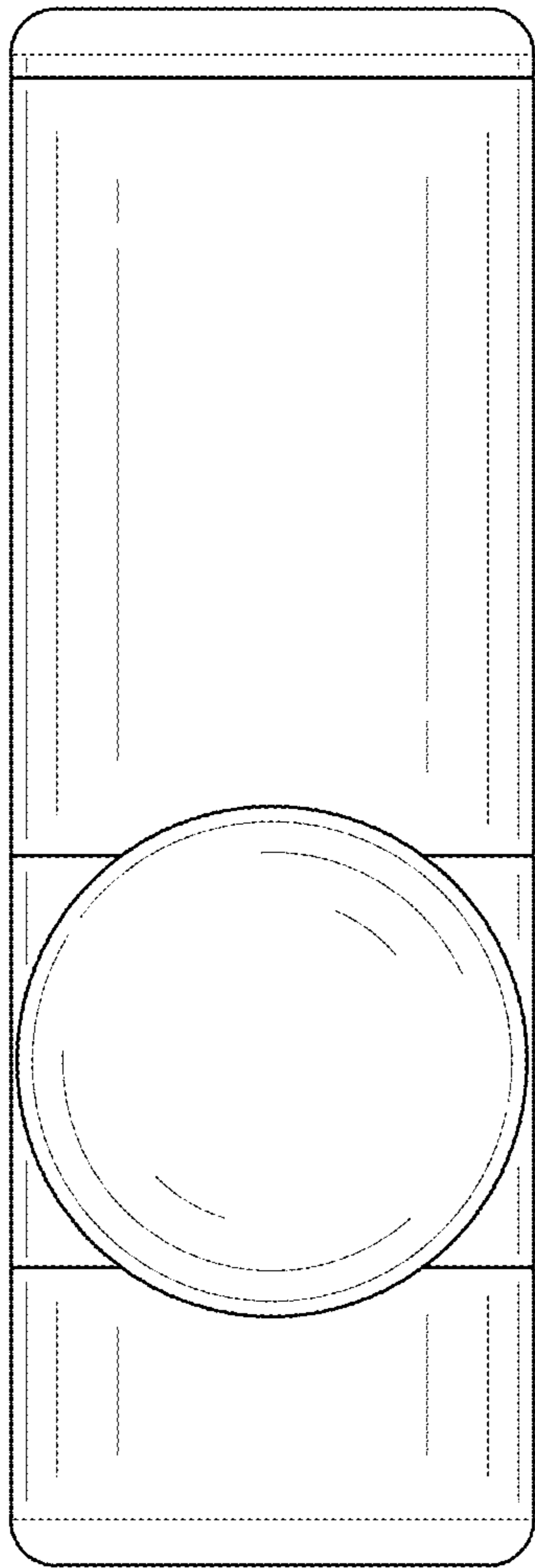


FIG.7



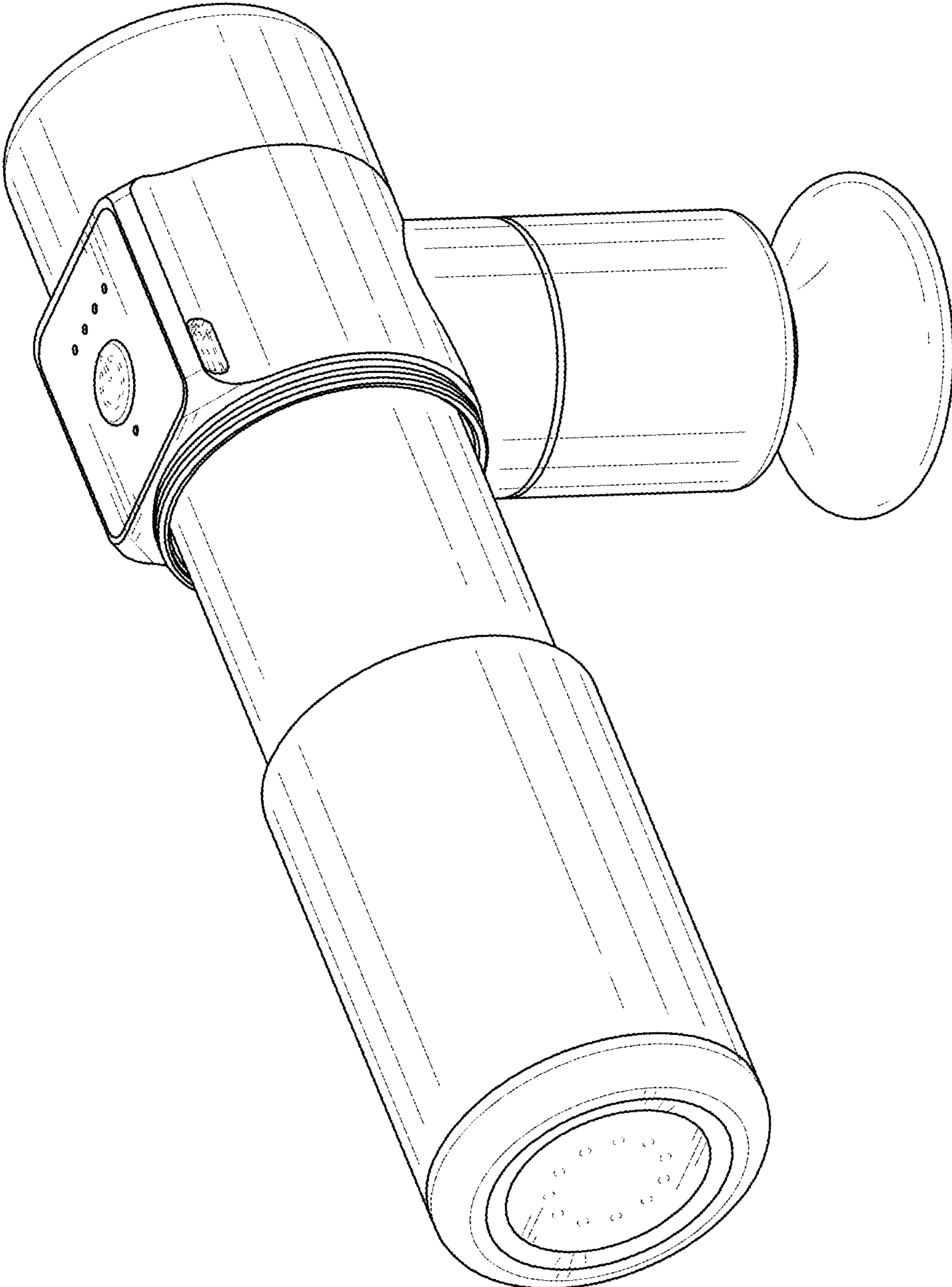


FIG. 8