



US00D945004S

(12) **United States Design Patent**
Cai

(10) **Patent No.:** **US D945,004 S**

(45) **Date of Patent:** **** Mar. 1, 2022**

(54) **REMOTE-CONTROLLED VIBRATOR WITH CONTROLLER**

(71) Applicant: **Xuefei Cai**, Xiaogan (CN)

(72) Inventor: **Xuefei Cai**, Xiaogan (CN)

(**) Term: **15 Years**

(21) Appl. No.: **29/721,210**

(22) Filed: **Jan. 18, 2020**

(30) **Foreign Application Priority Data**

Oct. 23, 2019 (CN) 201930577325.X

(51) **LOC (13) Cl.** **28-03**

(52) **U.S. Cl.**
USPC **D24/215**

(58) **Field of Classification Search**
USPC D24/215, 200, 211, 212, 213, 214, 133,
D24/188, 107, 231
CPC A61H 19/00; A61H 19/30; A61H 19/32;
A61H 19/34; A61H 19/40; A61H 19/44;
A61H 19/50; A61H 7/00; A61H 7/005;
A61H 7/003; A61H 2201/0157; A61H
2201/0153

See application file for complete search history.

(56) **References Cited**

U.S. PATENT DOCUMENTS

D657,884 S * 4/2012 Imboden D24/215
D657,885 S * 4/2012 Imboden D24/215
D818,601 S * 5/2018 Cheung D24/215
D867,609 S * 11/2019 Couto D24/215
D883,509 S * 5/2020 Dumler D24/215
D924,420 S * 7/2021 Liu D24/215

2015/0164738 A1* 6/2015 Caropelo A61H 23/02
601/46
2016/0250098 A1* 9/2016 Pallares Aniorde A61H 19/40
601/47
2017/0367926 A1* 12/2017 Verreault G08C 23/04
2021/0052939 A1* 2/2021 Garriga I Rodo A61H 15/00

OTHER PUBLICATIONS

Lovemmy—Kegel Exercise Ball Weights. Date: Nov. 20, 2019. [online]. [Site visited Oct. 14, 2021]. Available from Internet URL: <https://www.amazon.co.uk/dp/B081R5SRZV/> (Year: 2019).*
Vibrators. (Design—© Questel) orbit.com. [Online PDF compilation of references] 37 pgs. Print Dates Range Nov. 9, 2010-Feb. 1, 2019 [Retrieved Oct. 14, 2021] <https://www.orbit.com/export/UCZAH96B/pdf4/479efadb-3bb4-479e-9c54-2a44ae2045cc-165025.pdf> (Year: 2021).*

* cited by examiner

Primary Examiner — Susan Bennett Hattan
Assistant Examiner — Landon Thomas Cassell

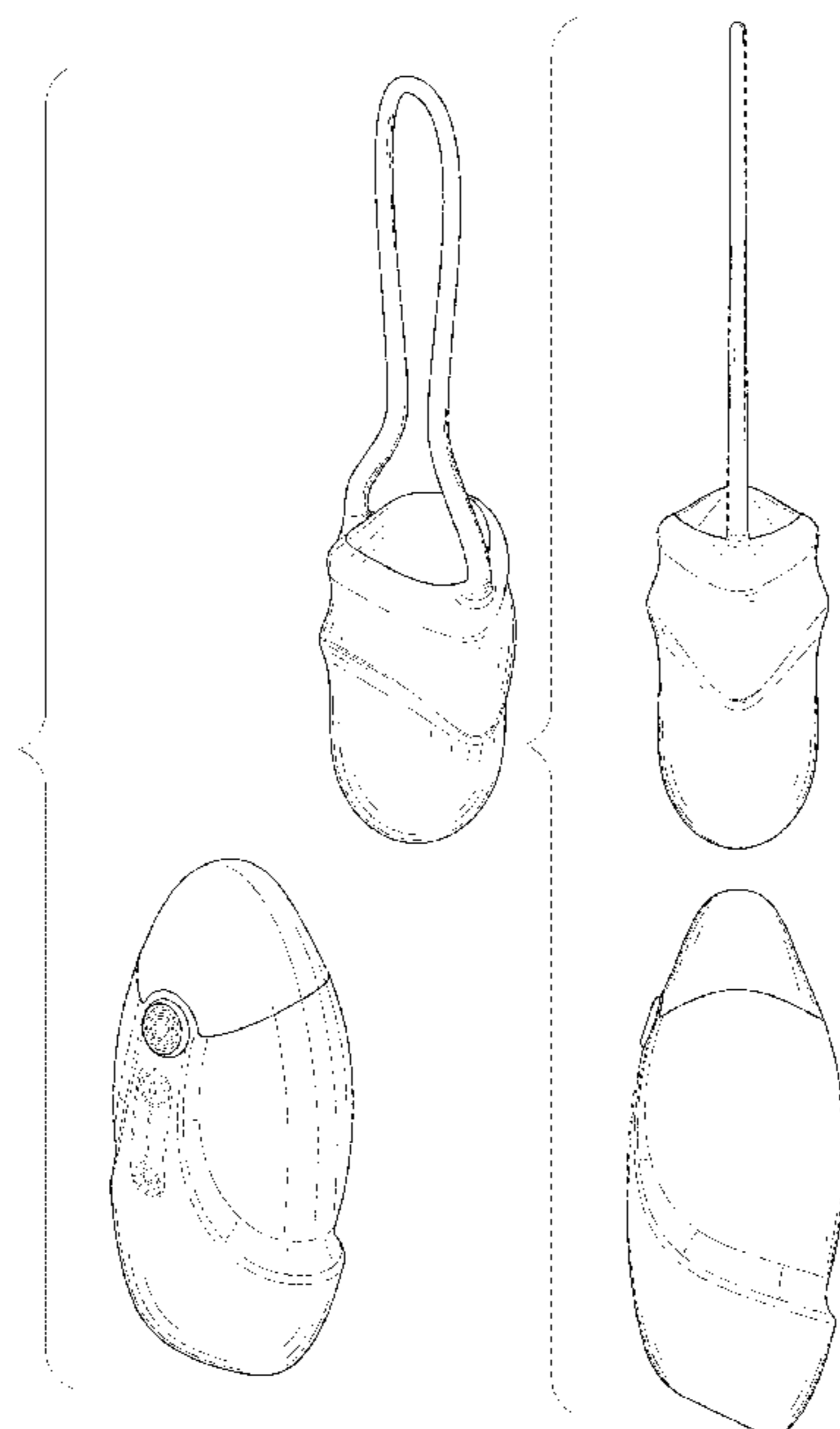
(57) **CLAIM**

The ornamental design for a remote-controlled vibrator with controller, as shown and described.

DESCRIPTION

FIG. 1 is a perspective view of a remote-controlled vibrator with controller showing my new design;
FIG. 2 is another perspective view thereof;
FIG. 3 is a front view thereof;
FIG. 4 is a rear view thereof;
FIG. 5 is a left side view thereof;
FIG. 6 is a right side view thereof;
FIG. 7 is a top view thereof; and,
FIG. 8 is a bottom view thereof.
All broken line portions of the figure drawings is included to show portions of the article that form no part of the claimed design.

1 Claim, 8 Drawing Sheets



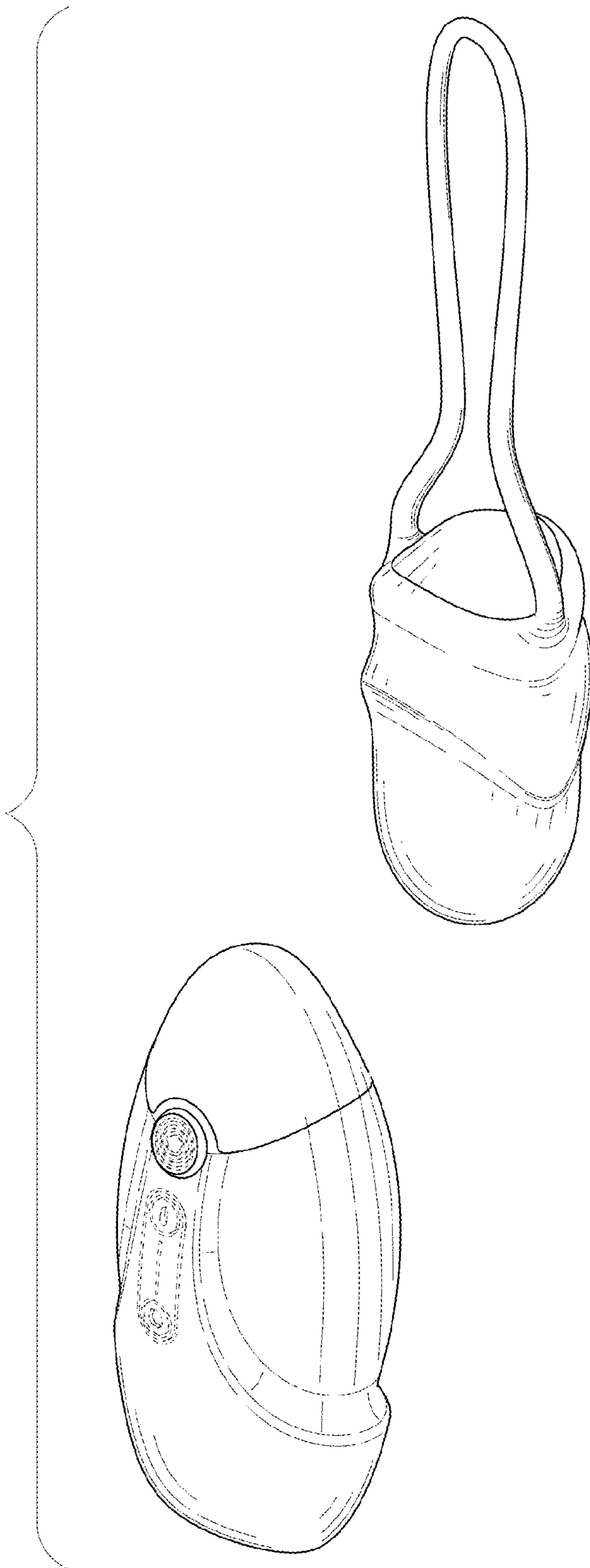


FIG.1

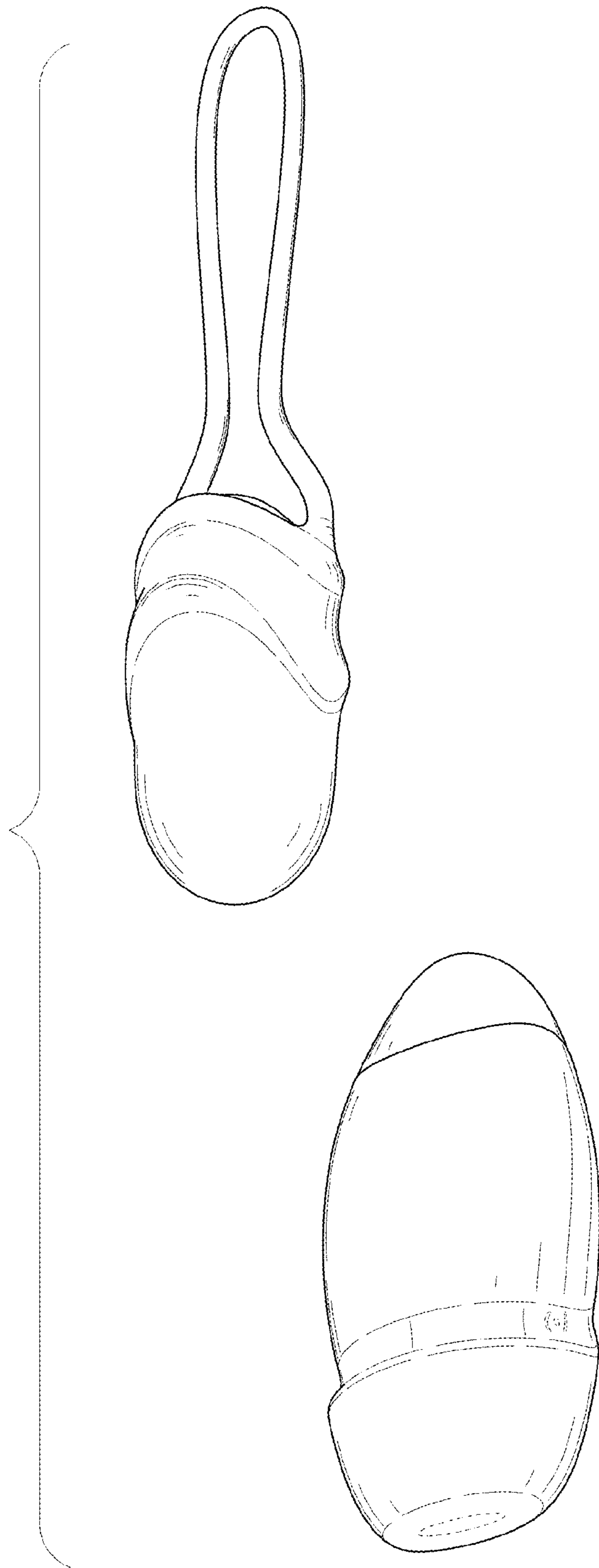


FIG.2

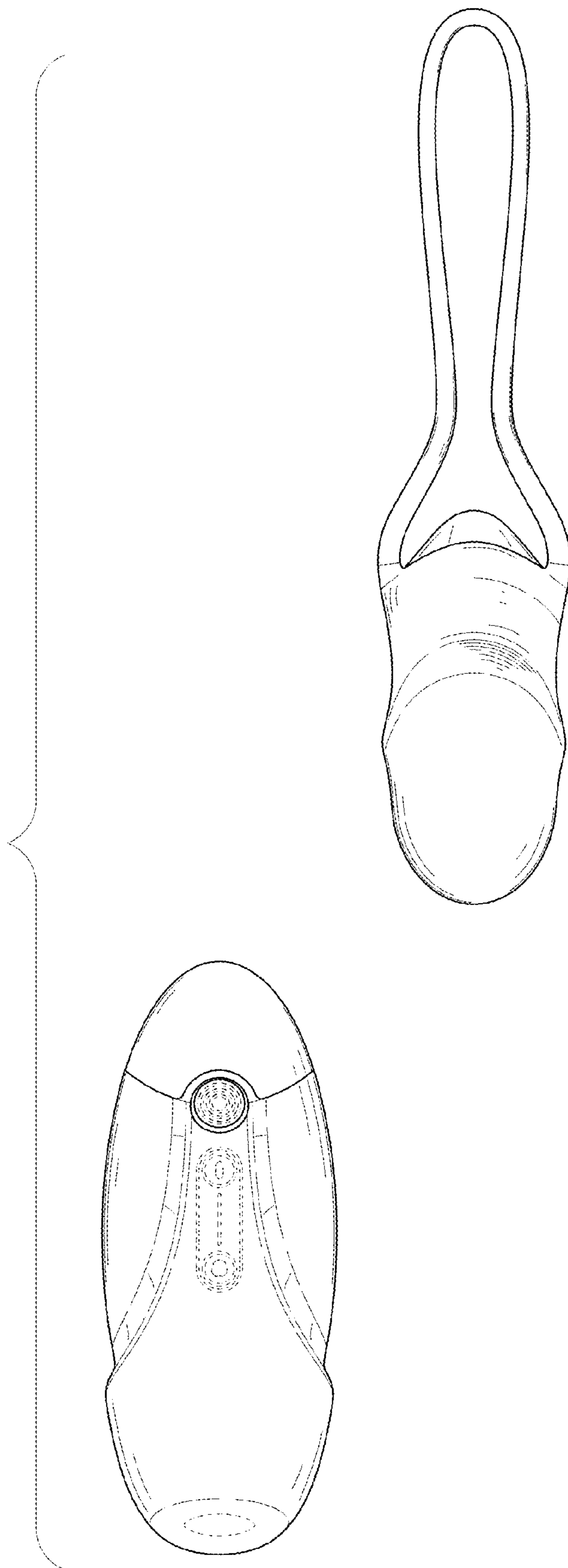


FIG. 3

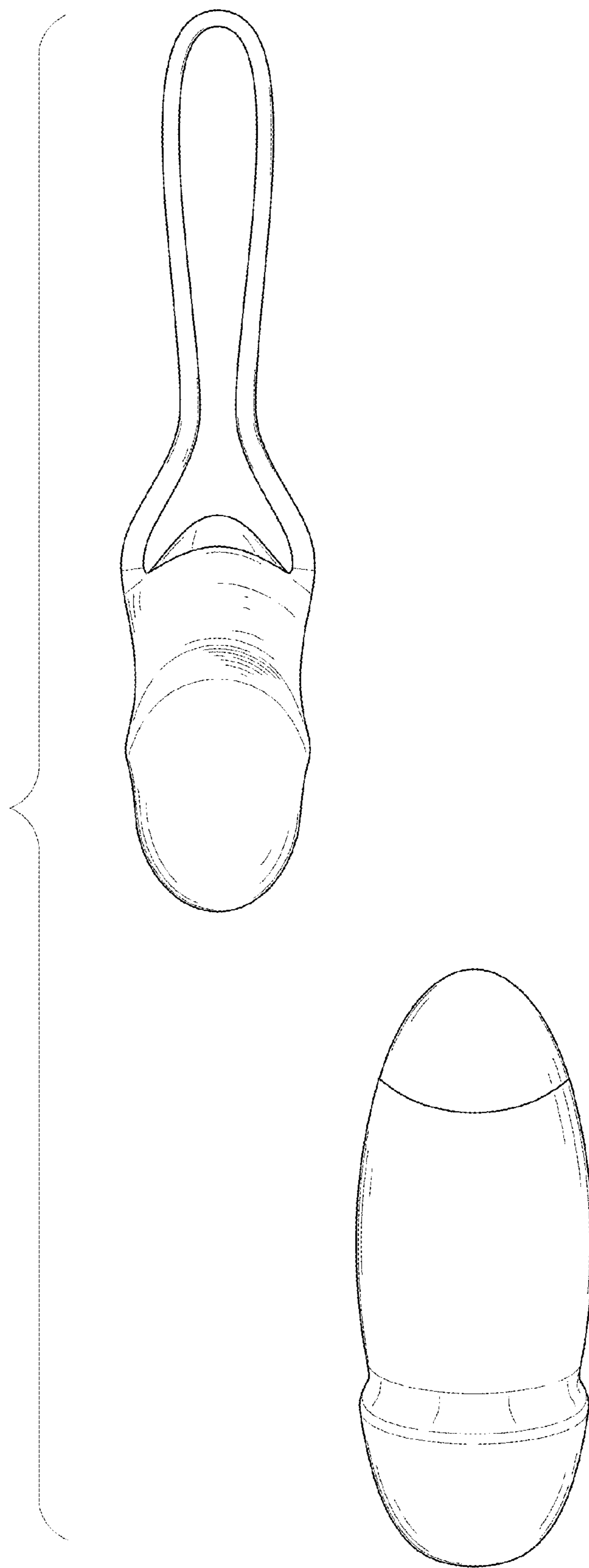


FIG.4

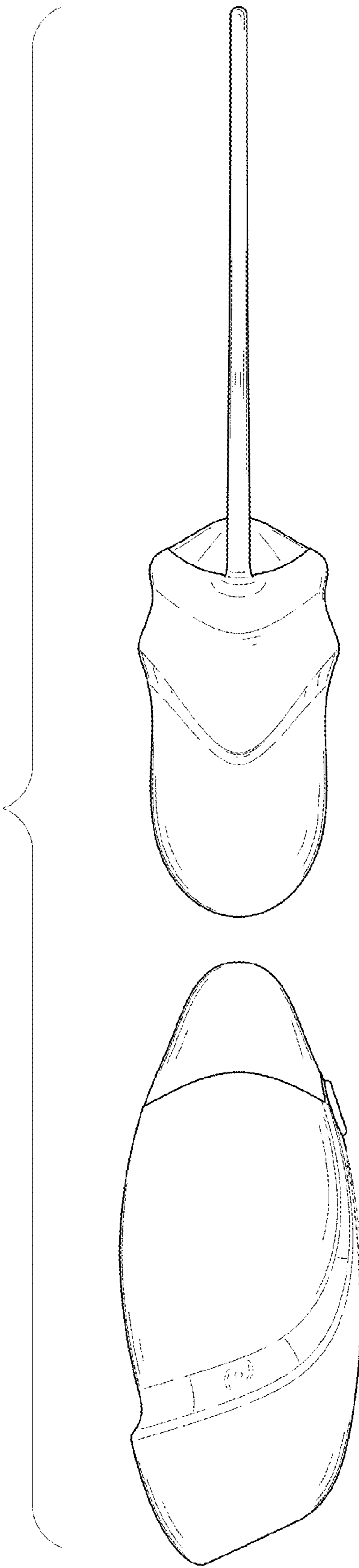


FIG.5

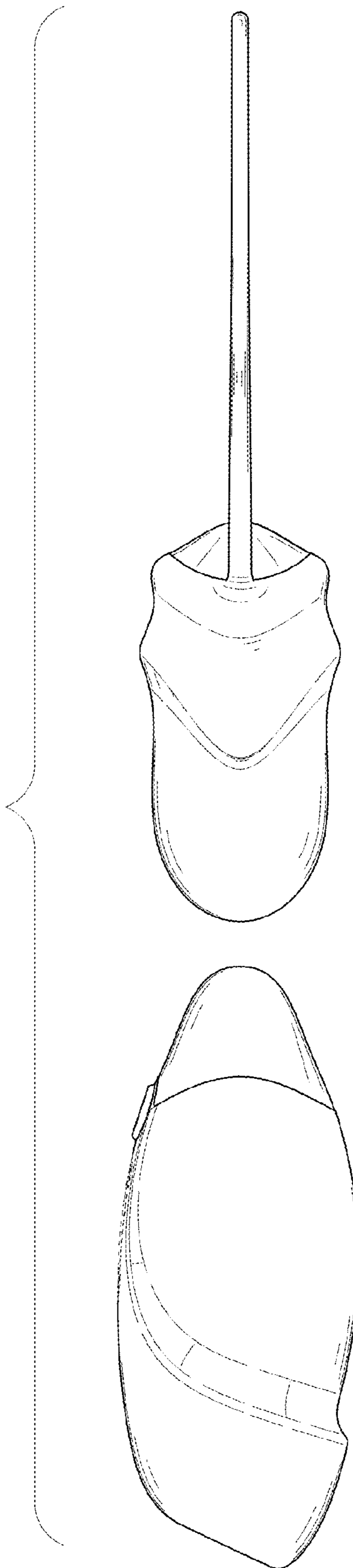


FIG.6

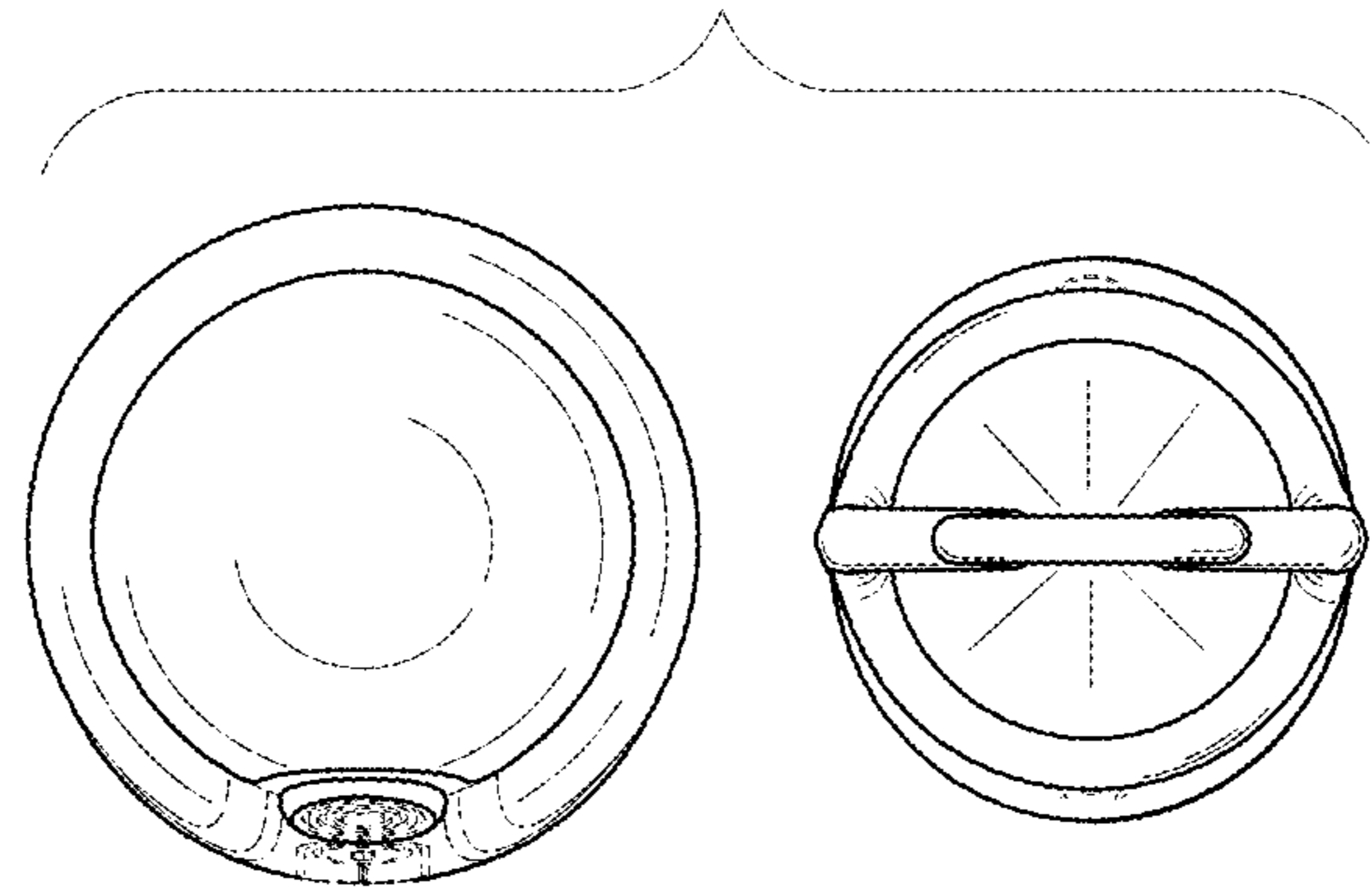


FIG.7

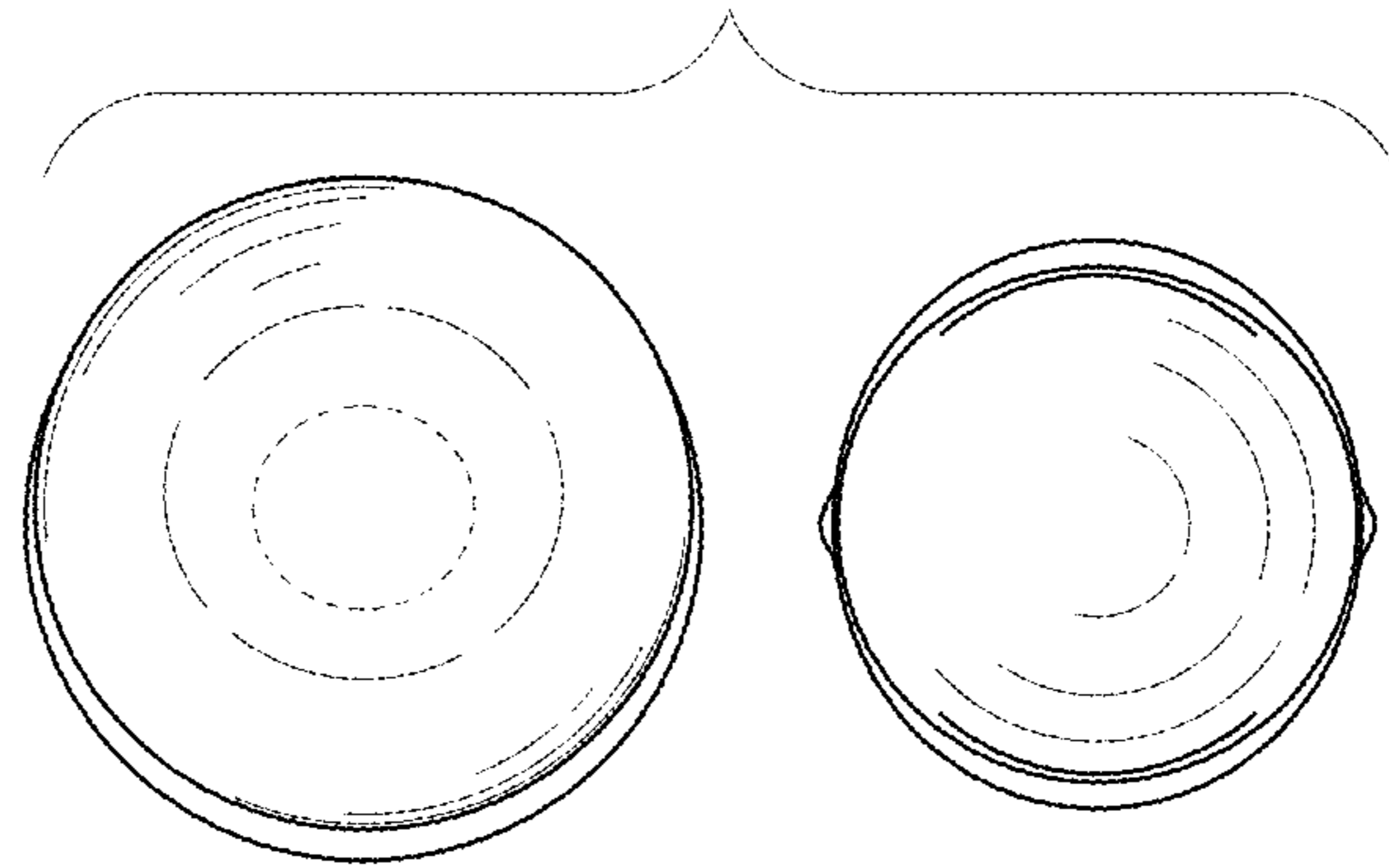


FIG.8