



US00D944998S

(12) **United States Design Patent**  
**Habosha et al.**

(10) **Patent No.:** **US D944,998 S**

(45) **Date of Patent:** **\*\* Mar. 1, 2022**

(54) **BABY TEETHER**

(71) Applicants: **Abraham Habosha**, Fort Lauderdale, FL (US); **Lindsay Miller**, Fort Lauderdale, FL (US)

(72) Inventors: **Abraham Habosha**, Fort Lauderdale, FL (US); **Lindsay Miller**, Fort Lauderdale, FL (US)

(73) Assignee: **Smooch Babies, LLC**, Miami Beach, FL (US)

(\*\*) Term: **15 Years**

(21) Appl. No.: **29/780,690**

(22) Filed: **Apr. 26, 2021**

(51) **LOC (13) Cl.** ..... **24-04**

(52) **U.S. Cl.**  
USPC ..... **D24/195**

(58) **Field of Classification Search**  
USPC ..... D24/115, 117, 193, 194, 195, 196, 214;  
D30/160; D21/496, 576, 622, 625, 627,  
D21/628, 650, 659  
CPC ..... A61J 17/00; A61J 17/001; A61J 17/02  
See application file for complete search history.

(56) **References Cited**

U.S. PATENT DOCUMENTS

2,115,405	A *	4/1938	Allen	.....	A61J 17/02 606/235
D264,630	S	5/1982	Nakao et al.		
D367,740	S	3/1996	O'Rourke et al.		
D404,137	S *	1/1999	Underwood	.....	D24/194
D428,234	S	7/2000	Diamond		
D565,737	S	4/2008	Rohrig		
D565,738	S *	4/2008	Rohrig	.....	D24/194
D574,963	S *	8/2008	Kliegman	.....	D24/194
D662,599	S *	6/2012	Rhodes, II	.....	D24/194
D697,274	S *	1/2014	Thorne	.....	D30/160
D721,439	S *	1/2015	Swartz	.....	D24/194

D742,018	S	10/2015	Frazier		
9,439,836	B1 *	9/2016	Thomas	.....	A61J 17/1012
D826,413	S	8/2018	Eaton et al.		
D837,990	S	1/2019	Burnett		
D856,609	S *	8/2019	Qiu	.....	D30/160
D862,714	S *	10/2019	Eaton	.....	D24/194
D887,014	S	6/2020	Ferrell		
D926,327	S *	7/2021	Douglas	.....	D24/194
2004/0044367	A1 *	3/2004	Yancy	.....	A61J 17/101 606/234

(Continued)

OTHER PUBLICATIONS

"Smilo Orthodontic Pacifier". Found online Aug. 20, 2021 at amazon.com. Reference dated Jul. 18, 2018. Retrieved from [https://www.amazon.com/-/es/Smilo-Chupete-ortodóntico-expande-relajación/dp/B07DHVJ97K/ref=cm\\_cr\\_ar\\_p\\_d\\_product\\_top?ie=UTF8.\\*](https://www.amazon.com/-/es/Smilo-Chupete-ortodóntico-expande-relajación/dp/B07DHVJ97K/ref=cm_cr_ar_p_d_product_top?ie=UTF8.*)

(Continued)

Primary Examiner — Kendra Leslie Hamilton

(74) Attorney, Agent, or Firm — Barry Choobin; Patent 360

(57) **CLAIM**

The ornamental design for a baby teether, as shown and described.

**DESCRIPTION**

FIG. 1 is a top, front, left, perspective view of a baby teether, showing our new design;

FIG. 2 is a front elevation view thereof;

FIG. 3 is a rear elevation view thereof;

FIG. 4 is a right side elevation view thereof;

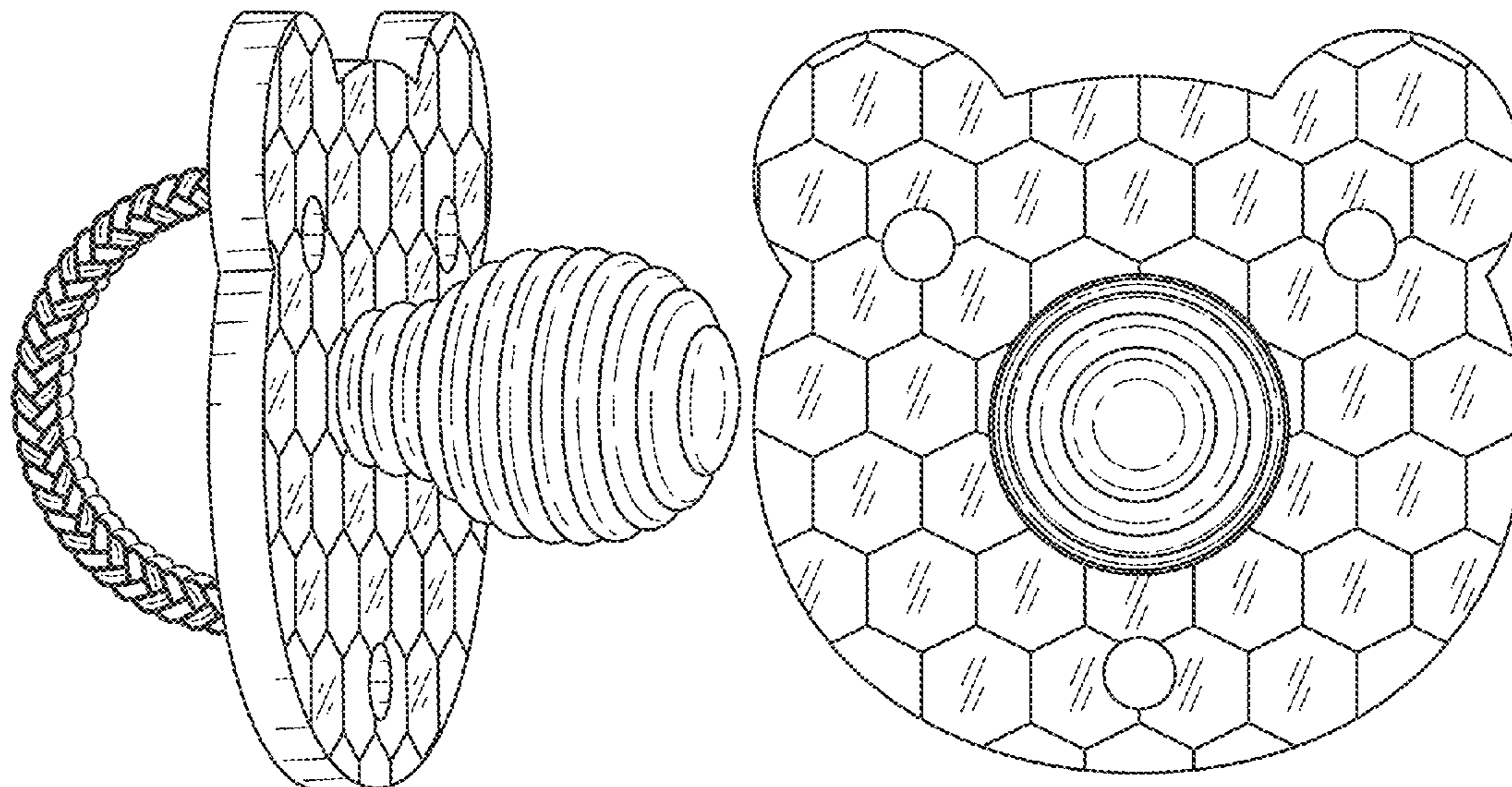
FIG. 5 is a left side elevation view thereof;

FIG. 6 is a top plan view thereof; and,

FIG. 7 is a bottom plan view thereof.

The drawings are shaded to indicate contrasting surfaces. The broken lines in the drawings depict portions of the baby teether that form no part of the claimed design.

**1 Claim, 4 Drawing Sheets**



(56)

**References Cited**

U.S. PATENT DOCUMENTS

2009/0248073 A1\* 10/2009 Kliegman ..... A61J 17/02  
606/235

OTHER PUBLICATIONS

“NUK: Space Orthodontic Soother (Cat, Polar Bear, Brown Bear)”.  
Found online Apr. 3, 2020 at amazon.co.uk. Reference dated Oct.  
23, 2019. Retrieved from [https://www.amazon.co.uk/dp/B0872T8JGC/  
ref=twister\\_B08FXXZV9V?\\_encoding=UTF8&psc=1](https://www.amazon.co.uk/dp/B0872T8JGC/ref=twister_B08FXXZV9V?_encoding=UTF8&psc=1).\*

“Babynow: Baby Teether Ball Rattle Toy”. Found online Aug. 20,  
2021 at amazon.ca. Reference dated Nov. 1, 2016. Retrieved from  
[https://www.amazon.ca/Babynow-Teether-Ball-Music-Teething/dp/  
B01CKFBILM](https://www.amazon.ca/Babynow-Teether-Ball-Music-Teething/dp/B01CKFBILM).\*

“SweetDreamzz: Pacifier with Teething Pain Relief”. Found online  
Aug. 20, 2021 at amazon.co.uk. Reference dated May 27, 2021.  
Retrieved from [https://www.amazon.co.uk/SweetDreamzz-Teething-  
Special-Dummies-Soothes/dp/B094HKG63T/ref=sr\\_1\\_15?](https://www.amazon.co.uk/SweetDreamzz-Teething-Special-Dummies-Soothes/dp/B094HKG63T/ref=sr_1_15?).\*

\* cited by examiner

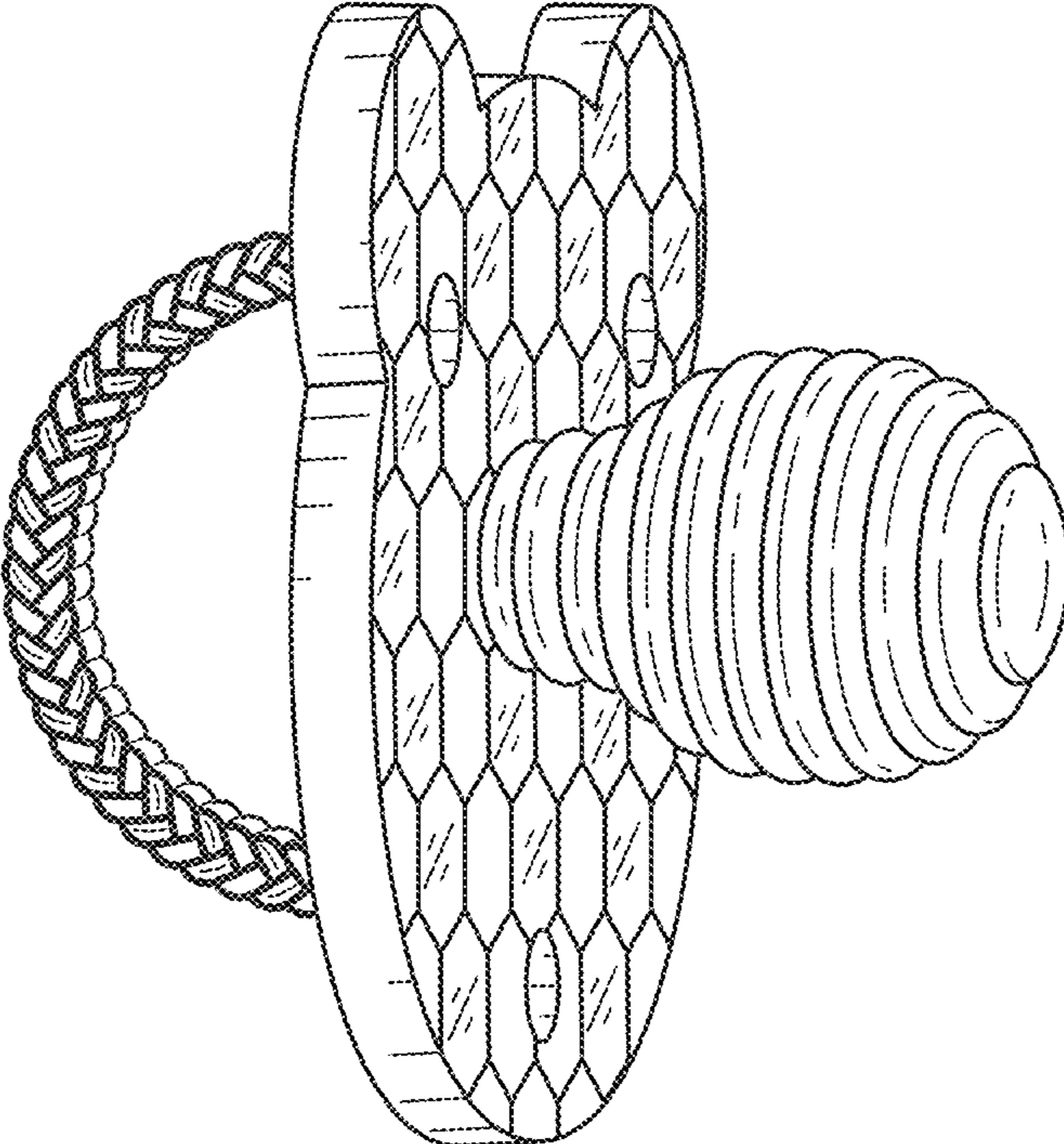


FIG. 1

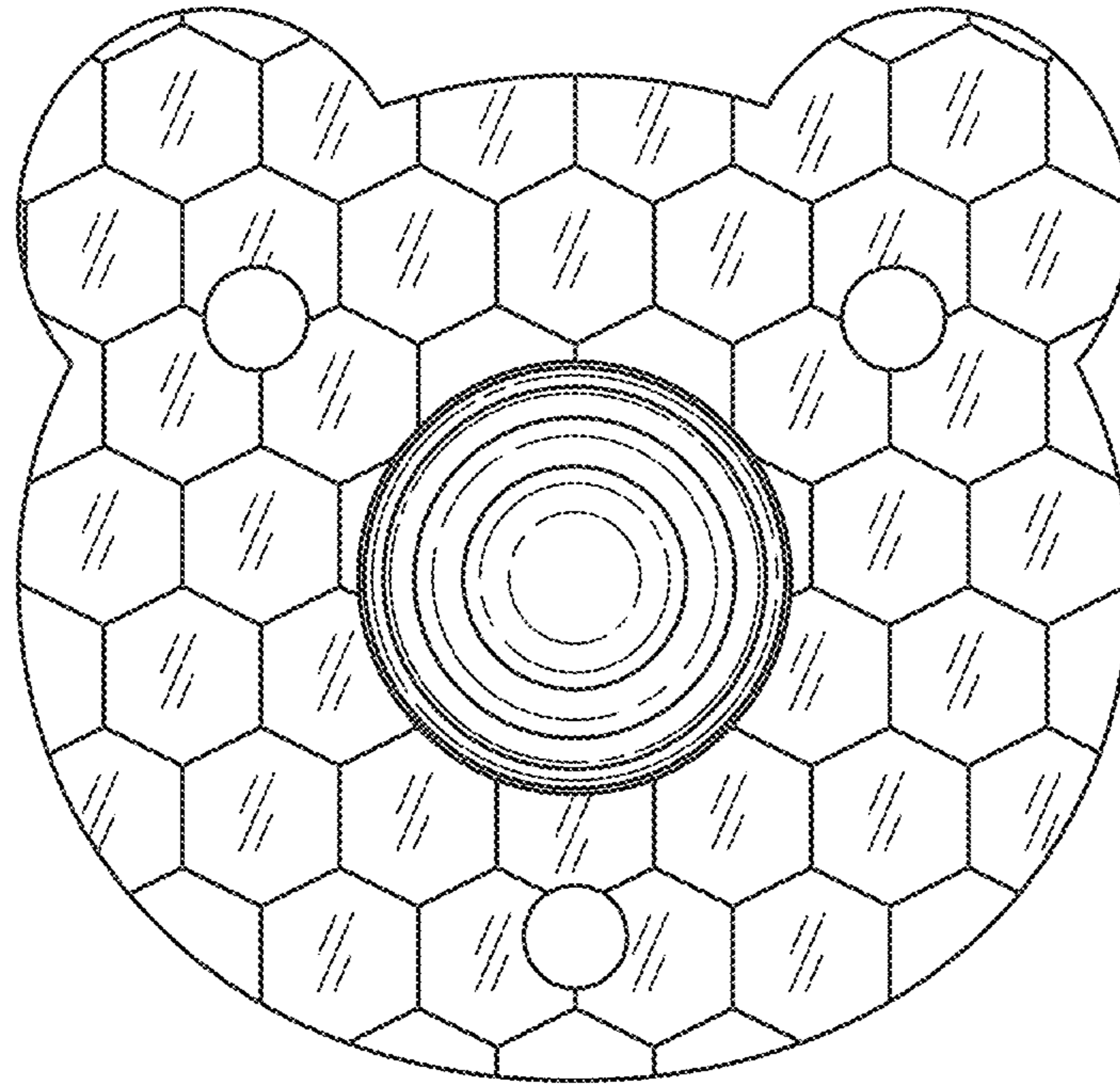


FIG. 2

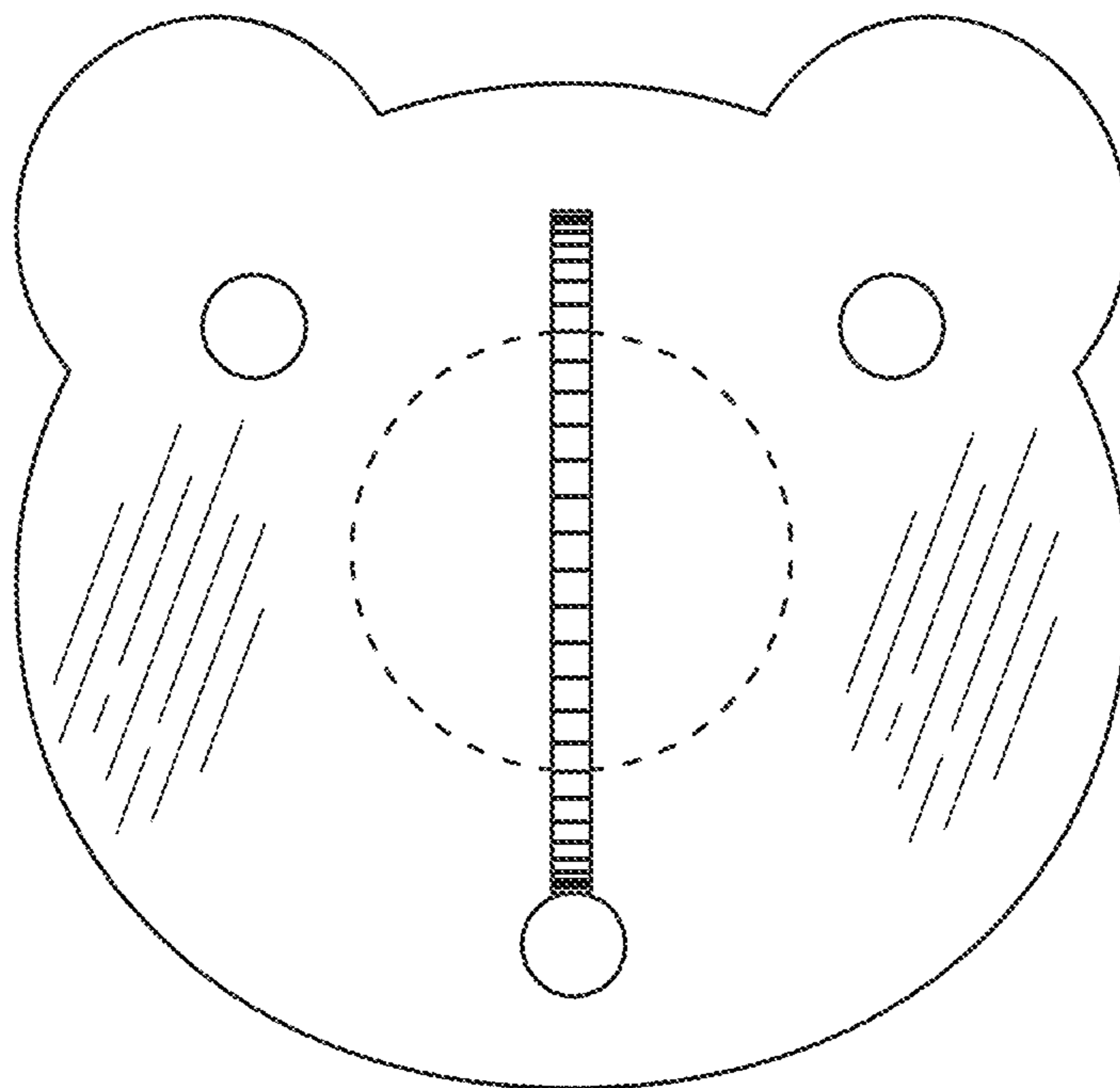


FIG. 3

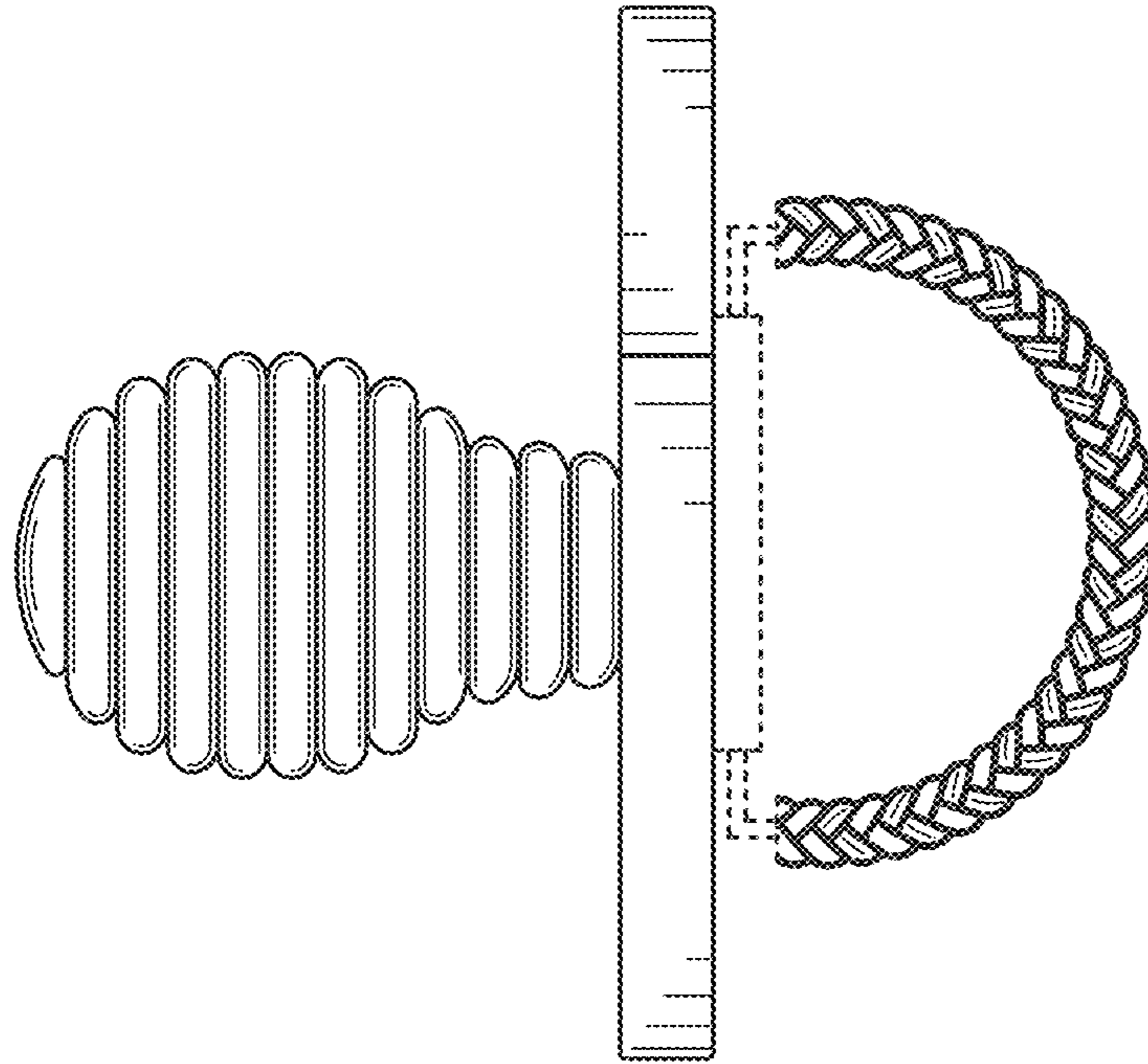


FIG. 4

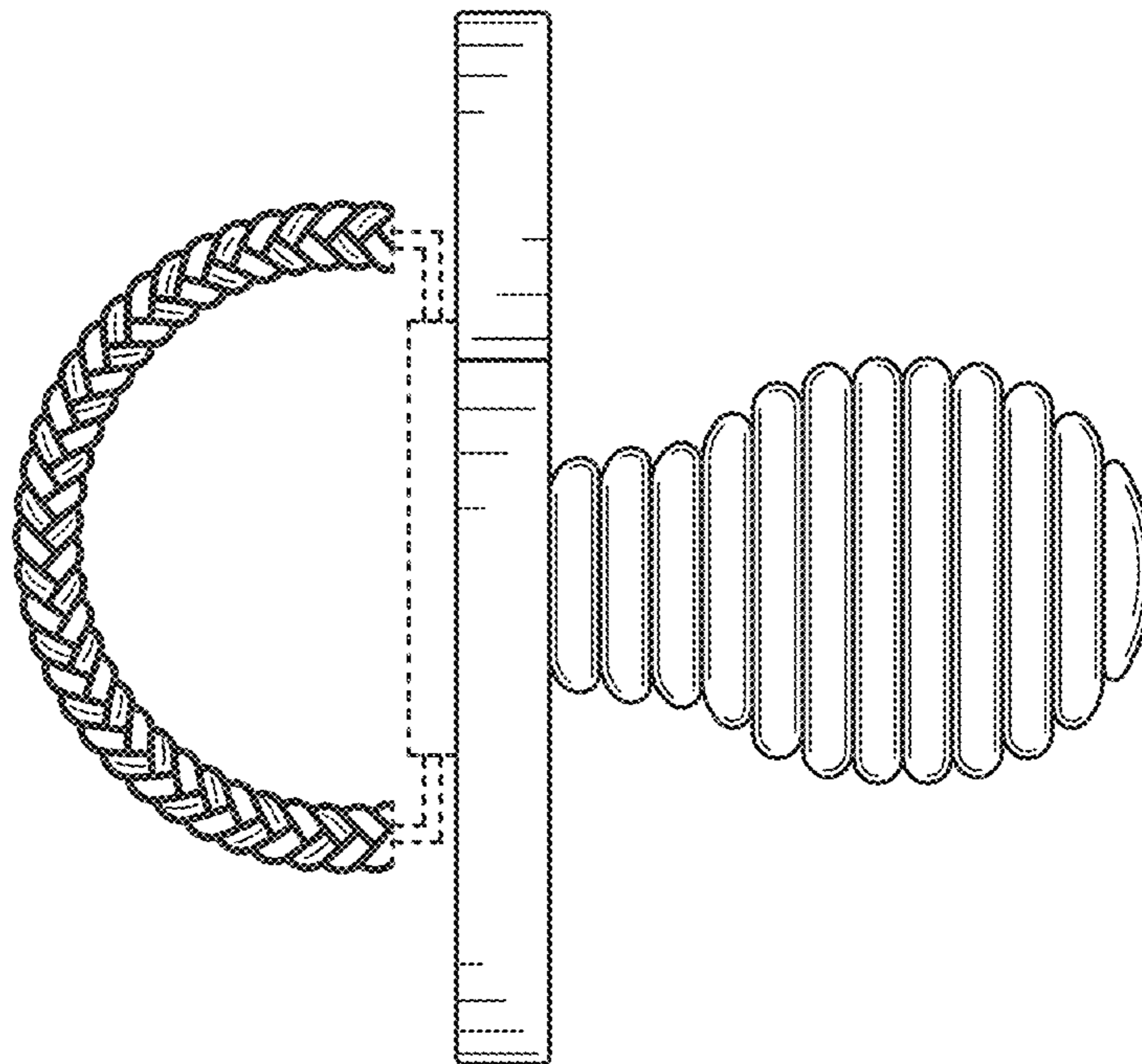


FIG. 5

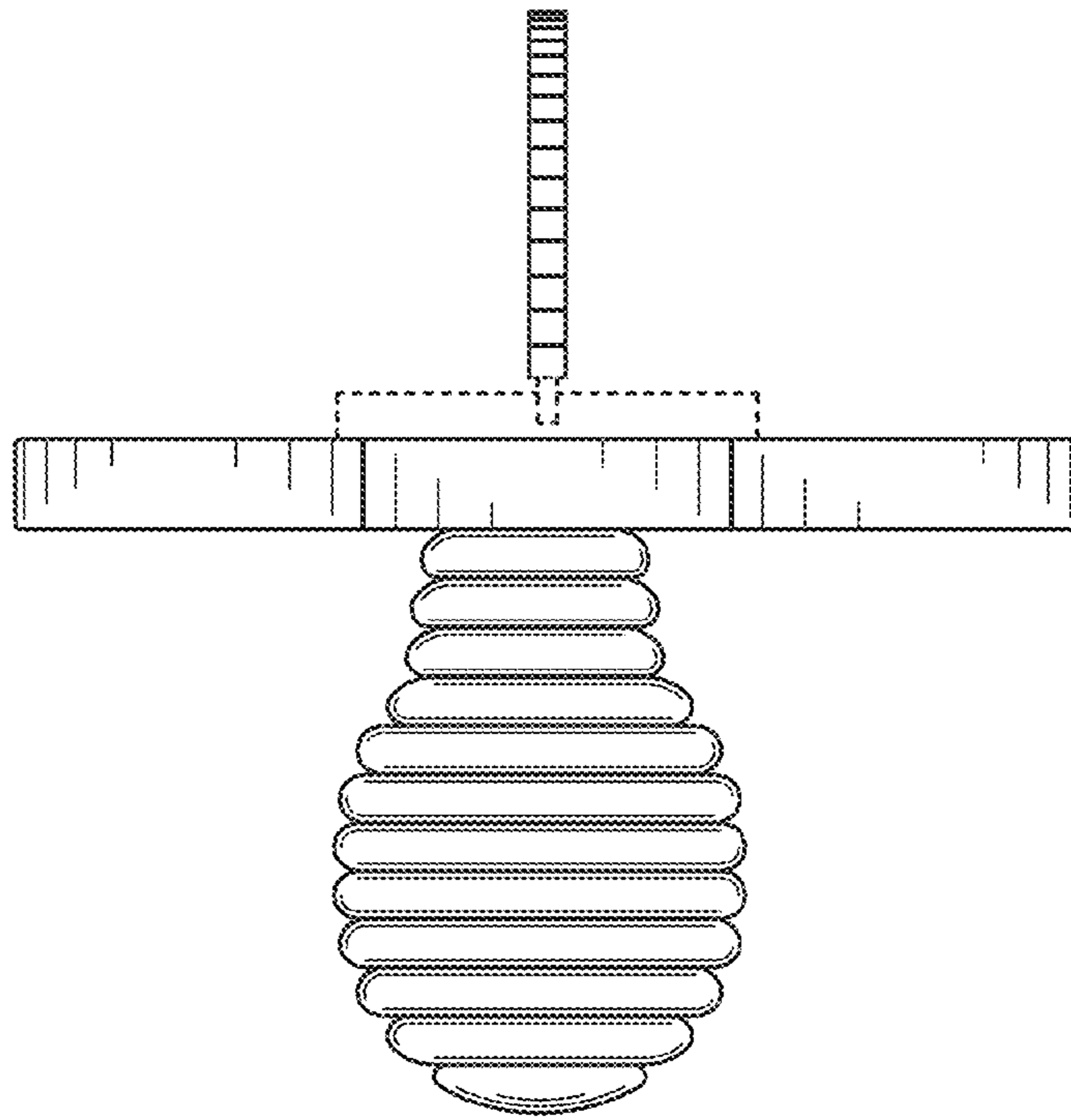


FIG. 6

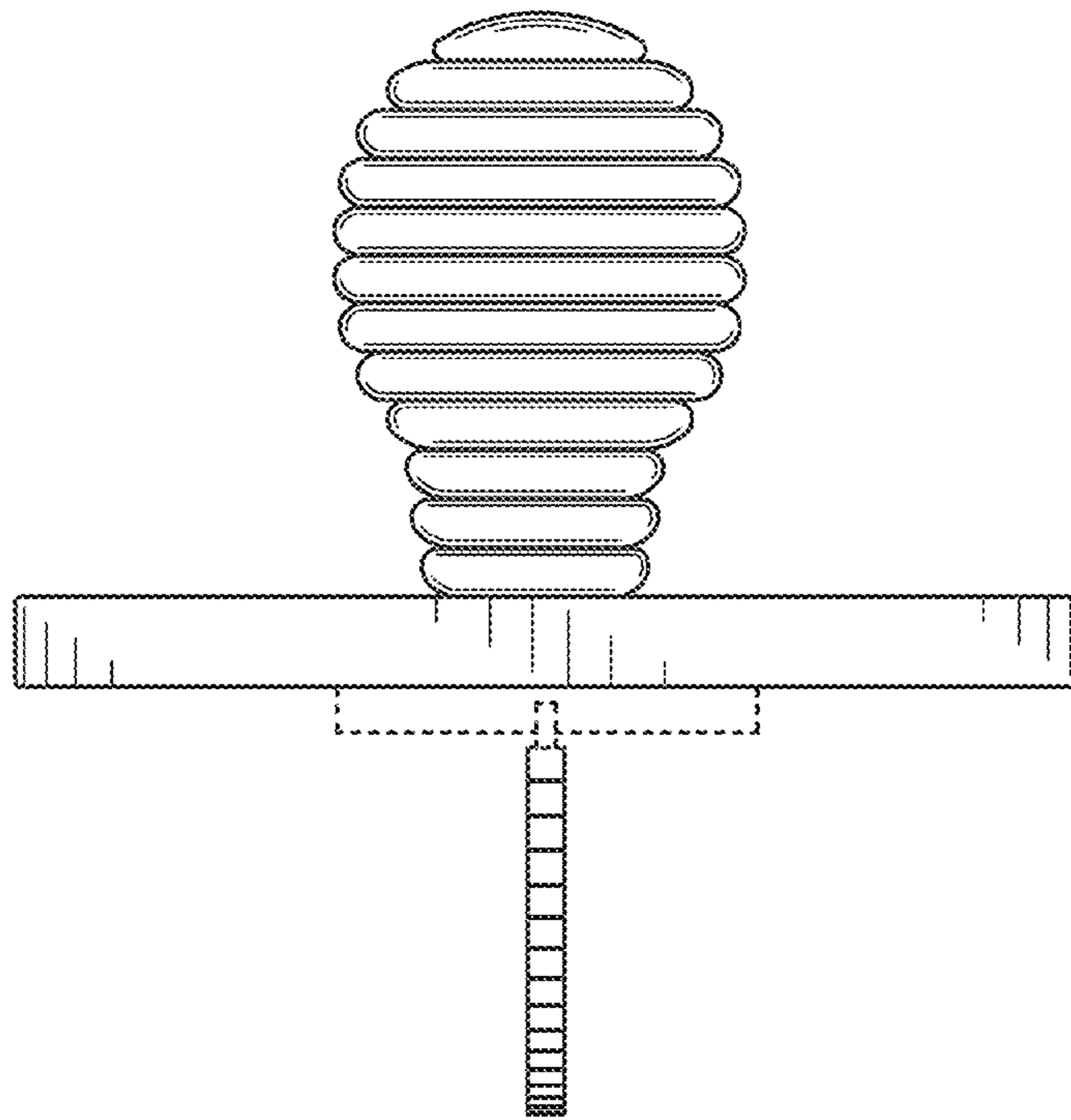


FIG. 7