



US00D944993S

(12) **United States Design Patent** (10) **Patent No.:** **US D944,993 S**
Nimmer et al. (45) **Date of Patent:** **** Mar. 1, 2022**

(54) **ORTHODONTIC ATTACHMENT**
(71) Applicant: **American Orthodontics Corporation**,
Sheboygan, WI (US)
(72) Inventors: **Eric Nimmer**, Plymouth, WI (US);
Madeline Gustafson, Sheboygan, WI
(US)
(73) Assignee: **American Orthodontics Corporation**,
Sheboygan, WI (US)

6,217,324 B1 4/2001 Kesling
D444,238 S 6/2001 Stevens
D447,804 S 9/2001 Stevens
D454,292 S 3/2002 Plummer et al.
6,354,833 B1 3/2002 Townsend-Hansen
6,558,160 B2* 5/2003 Schnaitter A61C 7/00
433/19
D606,658 S 12/2009 Blanco-Acevedo
D607,568 S 1/2010 Stevens
D766,444 S 9/2016 Stevens
9,877,804 B2* 1/2018 Chester A61C 7/02
10,028,807 B1 7/2018 Alruhaimi
(Continued)

(**) Term: **15 Years**

(21) Appl. No.: **29/723,084**
(22) Filed: **Feb. 4, 2020**
(51) **LOC (13) Cl.** **24-02**
(52) **U.S. Cl.**
USPC **D24/180**
(58) **Field of Classification Search**
USPC D24/156, 176, 180-181
CPC A61C 7/00; A61C 7/02; A61C 7/04; A61C
7/12; A61C 7/22
See application file for complete search history.

OTHER PUBLICATIONS

IMD "Crimple Hooks." Retrieved on Jun. 23, 2021. Retrieved from
the Internet: <https://www.imdmedical.com/products/orthodontic-bands-attachments/>.*

(Continued)

Primary Examiner — Wan Laymon
(74) *Attorney, Agent, or Firm* — Andrus Intellectual
Property Law, LLP

(56) **References Cited**

U.S. PATENT DOCUMENTS

3,237,305 A * 3/1966 Hegedus A61C 7/12
433/21
3,745,653 A 7/1973 Cohl
3,748,740 A 7/1973 Wildman
3,835,538 A 9/1974 Northcutt
4,639,219 A * 1/1987 Gagin A61C 7/12
433/22
4,713,001 A 12/1987 Klein et al.
4,861,268 A 8/1989 Garay et al.
5,078,597 A 1/1992 Caplin
5,263,859 A 11/1993 Kesling
5,306,142 A 4/1994 Richards
D383,844 S 9/1997 Kelly
5,873,716 A * 2/1999 Kesling A61C 7/00
433/22

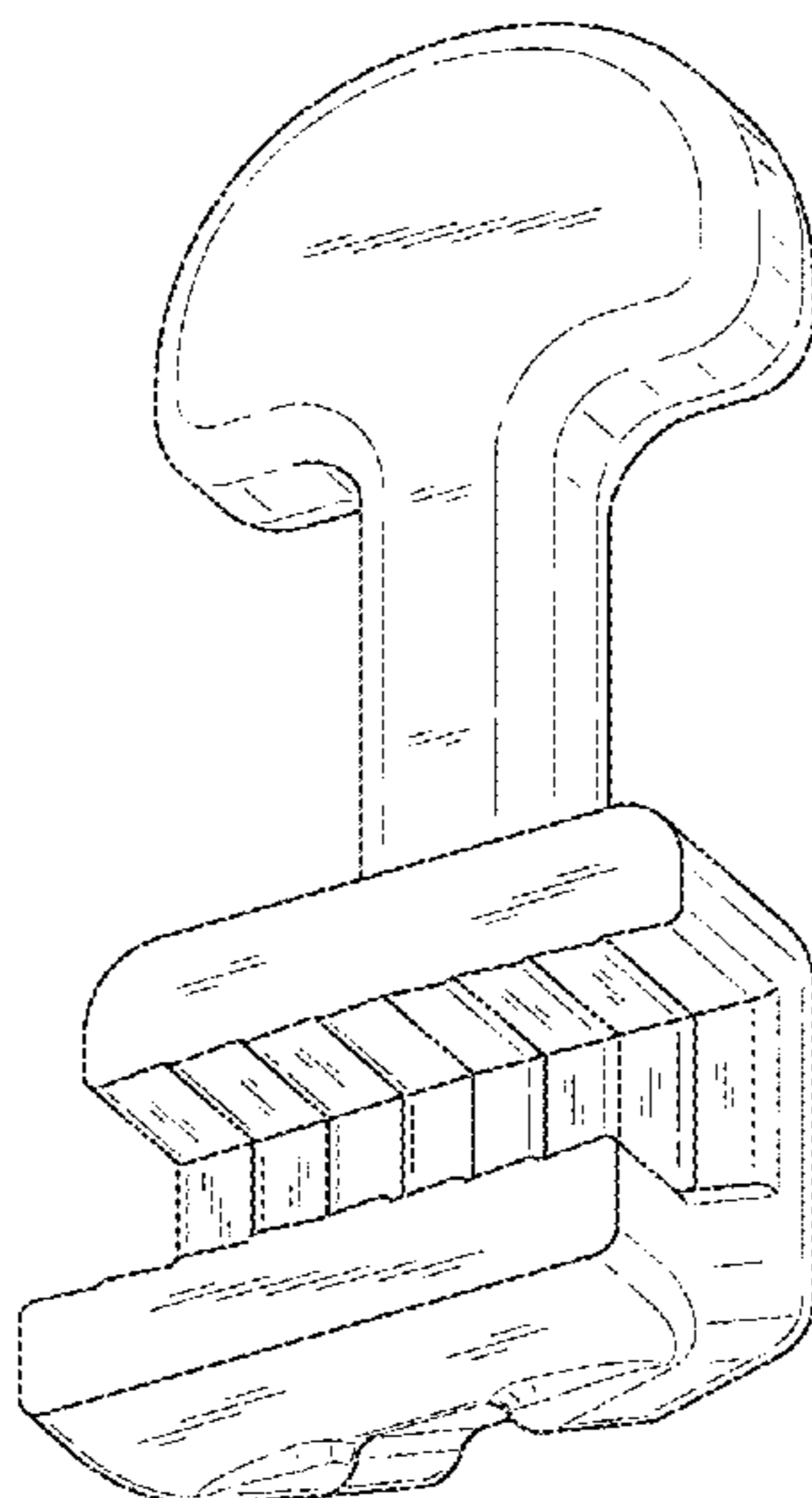
(57) **CLAIM**

The ornamental design for an orthodontic attachment, as
shown and described.

DESCRIPTION

FIG. 1 is a top perspective view of an orthodontic attach-
ment;
FIG. 2 is a bottom perspective view thereof;
FIG. 3 is a front view thereof;
FIG. 4 is a back side view thereof;
FIG. 5 is a left side thereof;
FIG. 6 is a right view thereof;
FIG. 7 is a top view thereof; and,
FIG. 8 is a bottom view thereof.

1 Claim, 4 Drawing Sheets



(56)

References Cited

U.S. PATENT DOCUMENTS

10,123,855	B1	11/2018	Coleman	
2003/0049583	A1	3/2003	Pitnick et al.	
2007/0042314	A1*	2/2007	Brosius	A61C 7/00 433/22
2008/0182219	A1	7/2008	Spalty	
2010/0178628	A1	7/2010	Kim	
2012/0028207	A1*	2/2012	Cleary	A61C 7/12 433/10
2018/0153647	A1*	6/2018	Chester	A61C 7/22
2021/0186661	A1*	6/2021	Chen	A61C 7/02

OTHER PUBLICATIONS

Orthodontic crimpable hook and stops. Retrieved on Jun. 23, 2021. Retrieved from the Internet: https://www.alibaba.com/product-detail/Orthodontic-crimpable-hook-and-stops_60692291761.html.*

Orthodontic Hook Straight (Vastago Quirurgico) Medium Pack/10UN/3040009. Mar. 9, 2021. Retrieved on Jun. 23, 2021. Retrieved from the Internet: https://www.ebay.com/itm/323880137125?_trkparms=ispr%3D1&amdata=enc%3AAQAGAAAakNQrQD7bn0dkzTkZGjADqmY8jj%2BJ%2BegLpJ5w9*

* cited by examiner

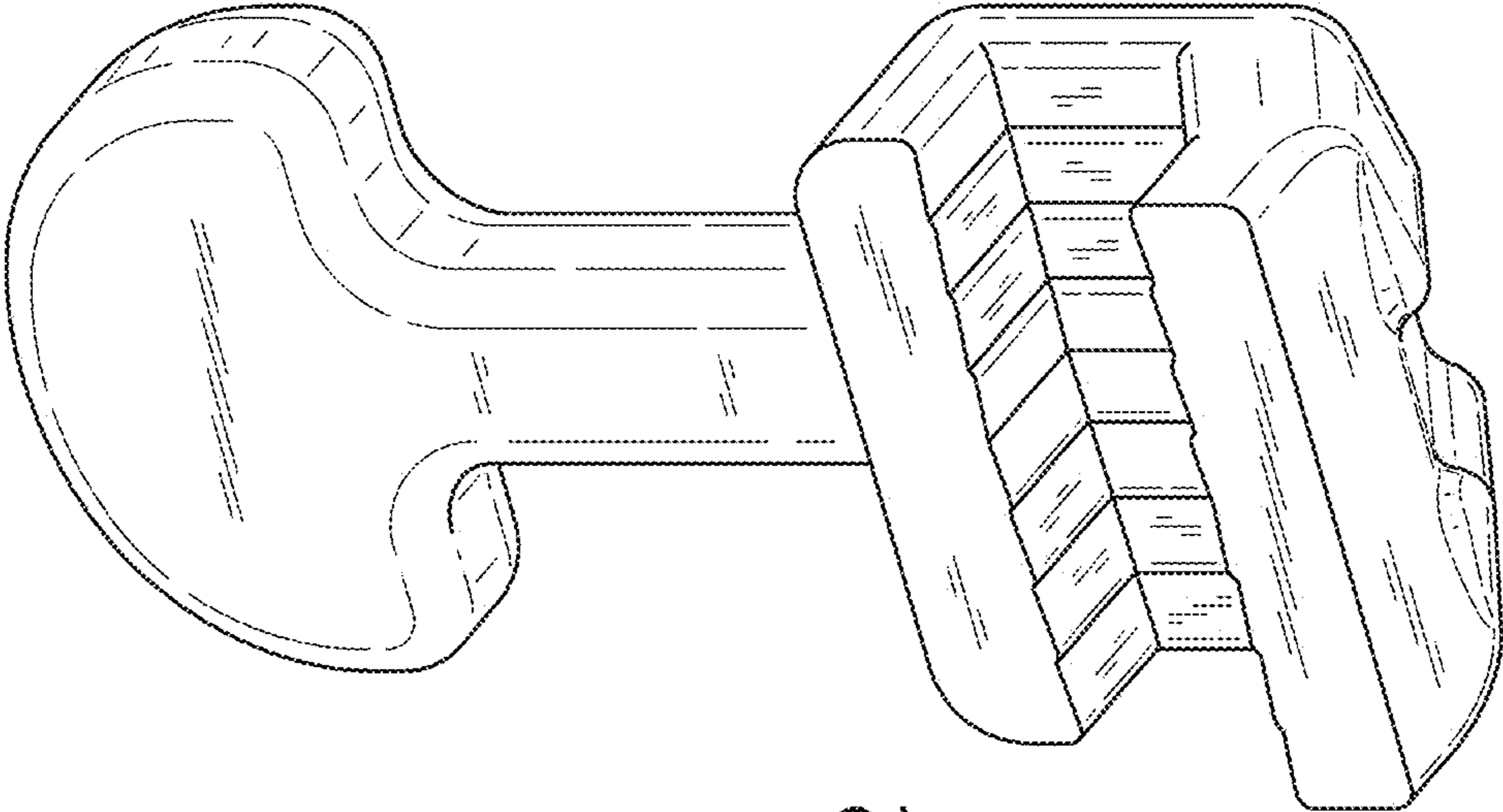


FIG. 2

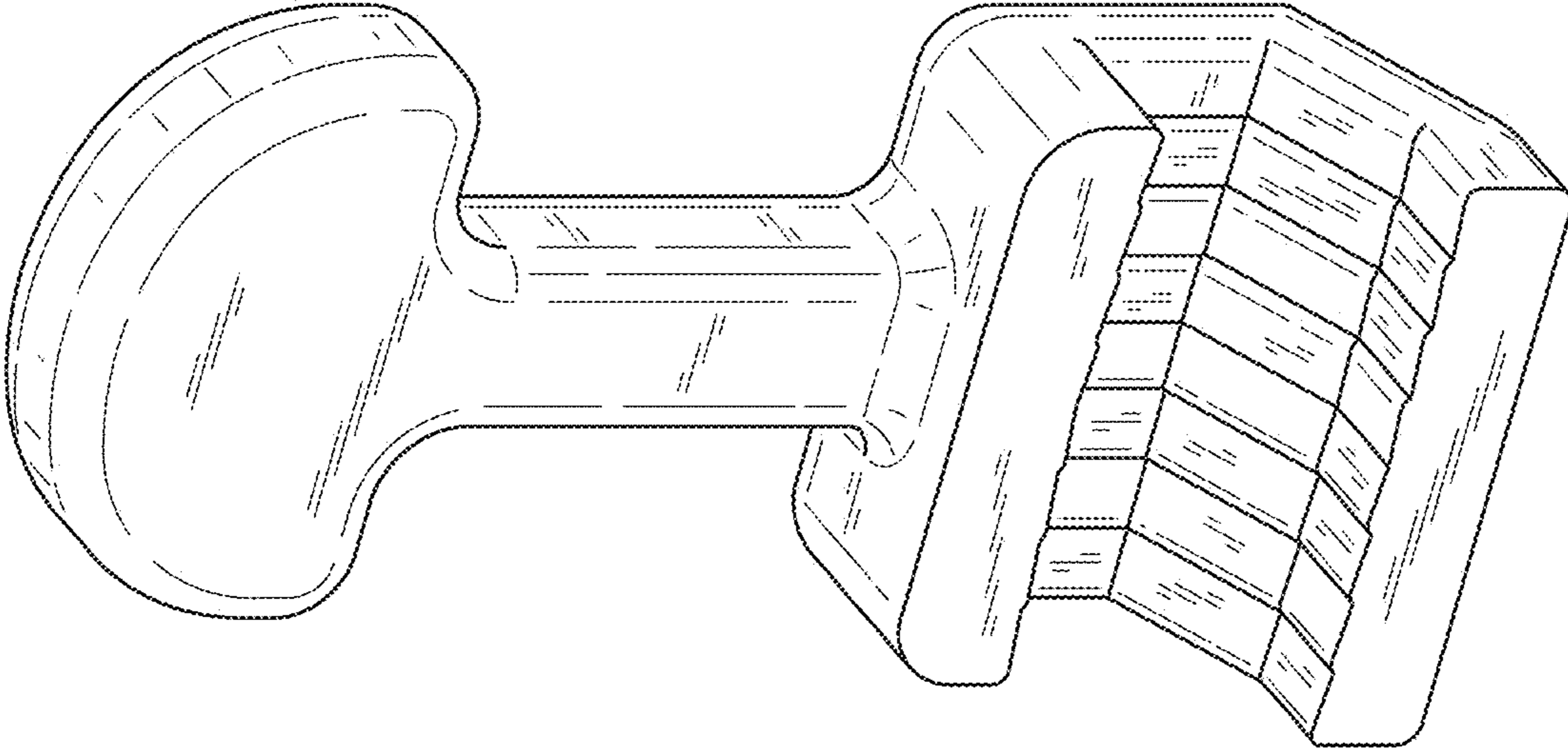


FIG. 1

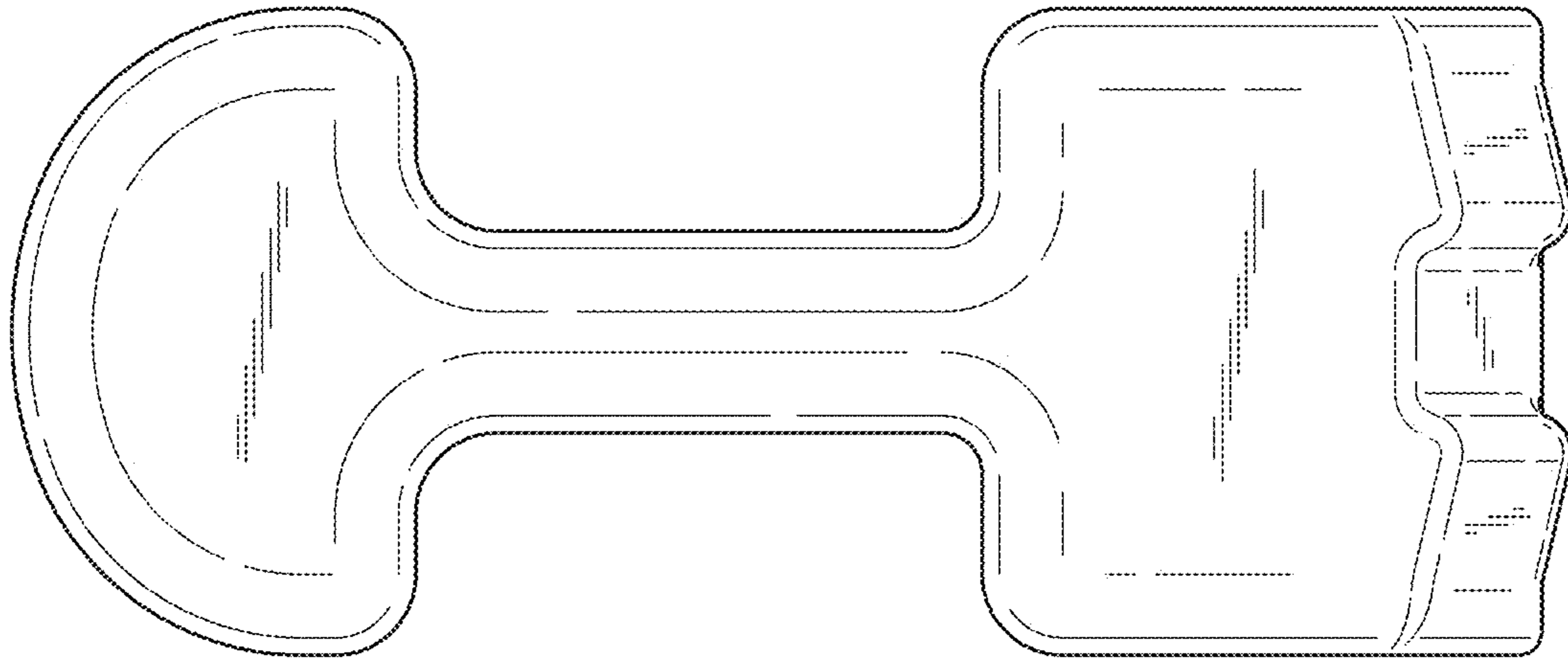


FIG. 4

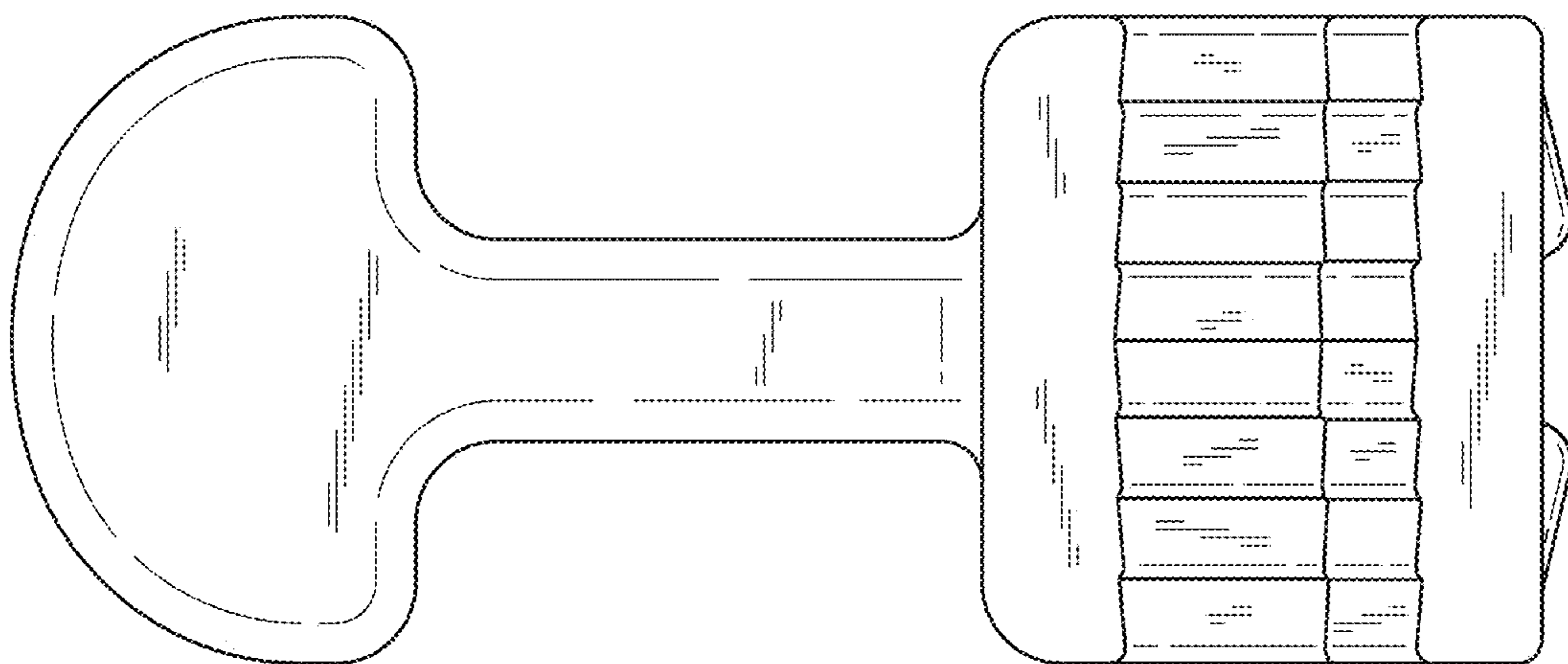


FIG. 3

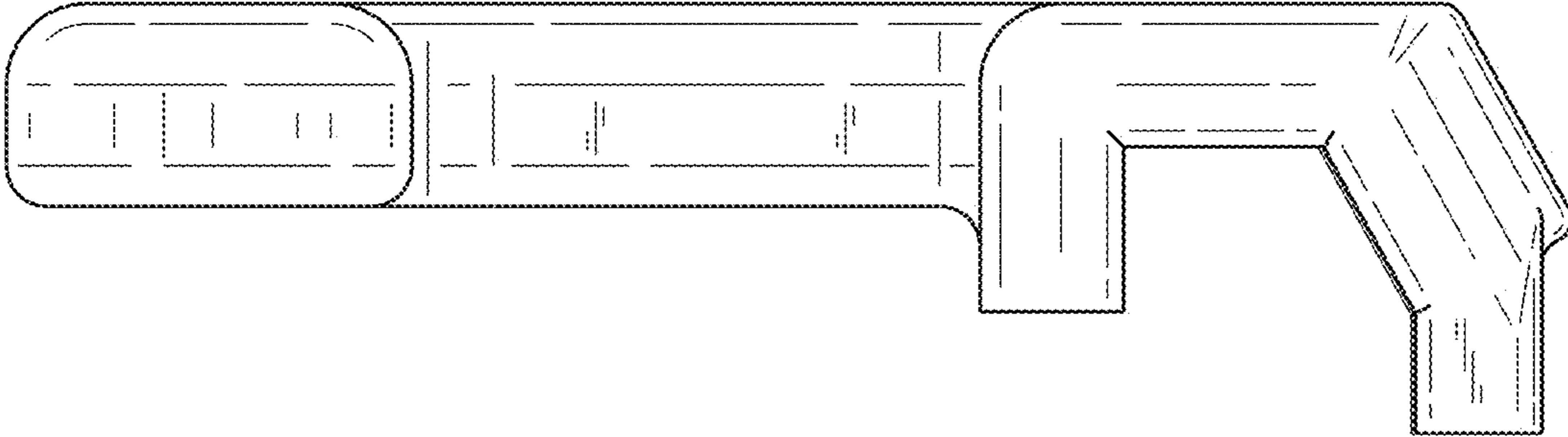


FIG. 6

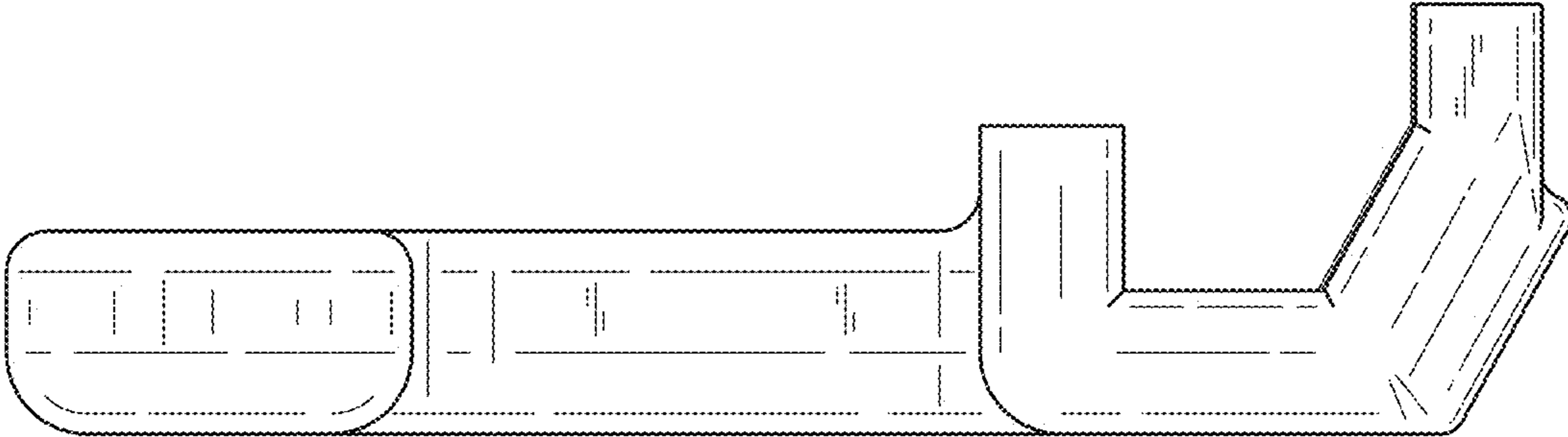


FIG. 5

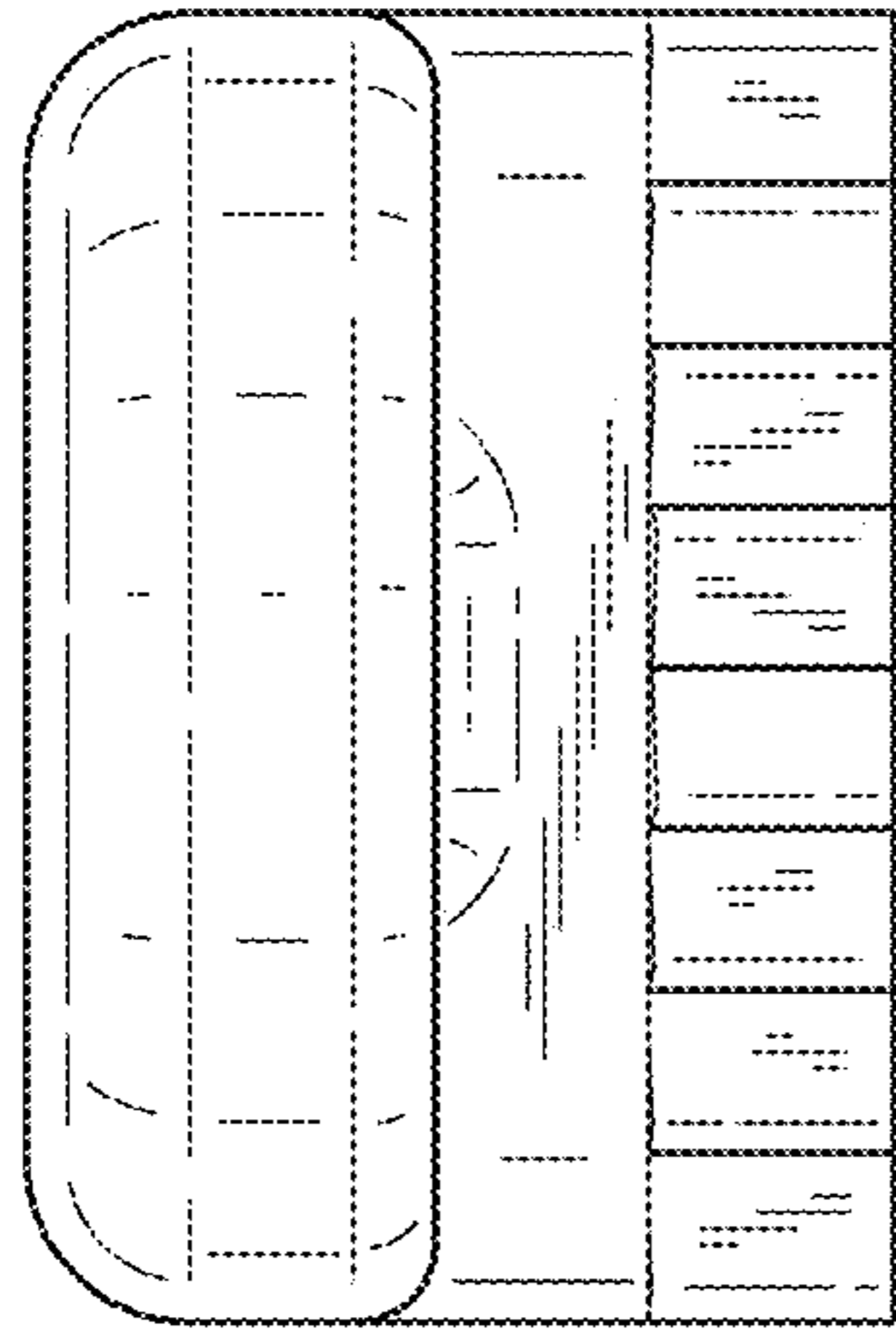


FIG. 7

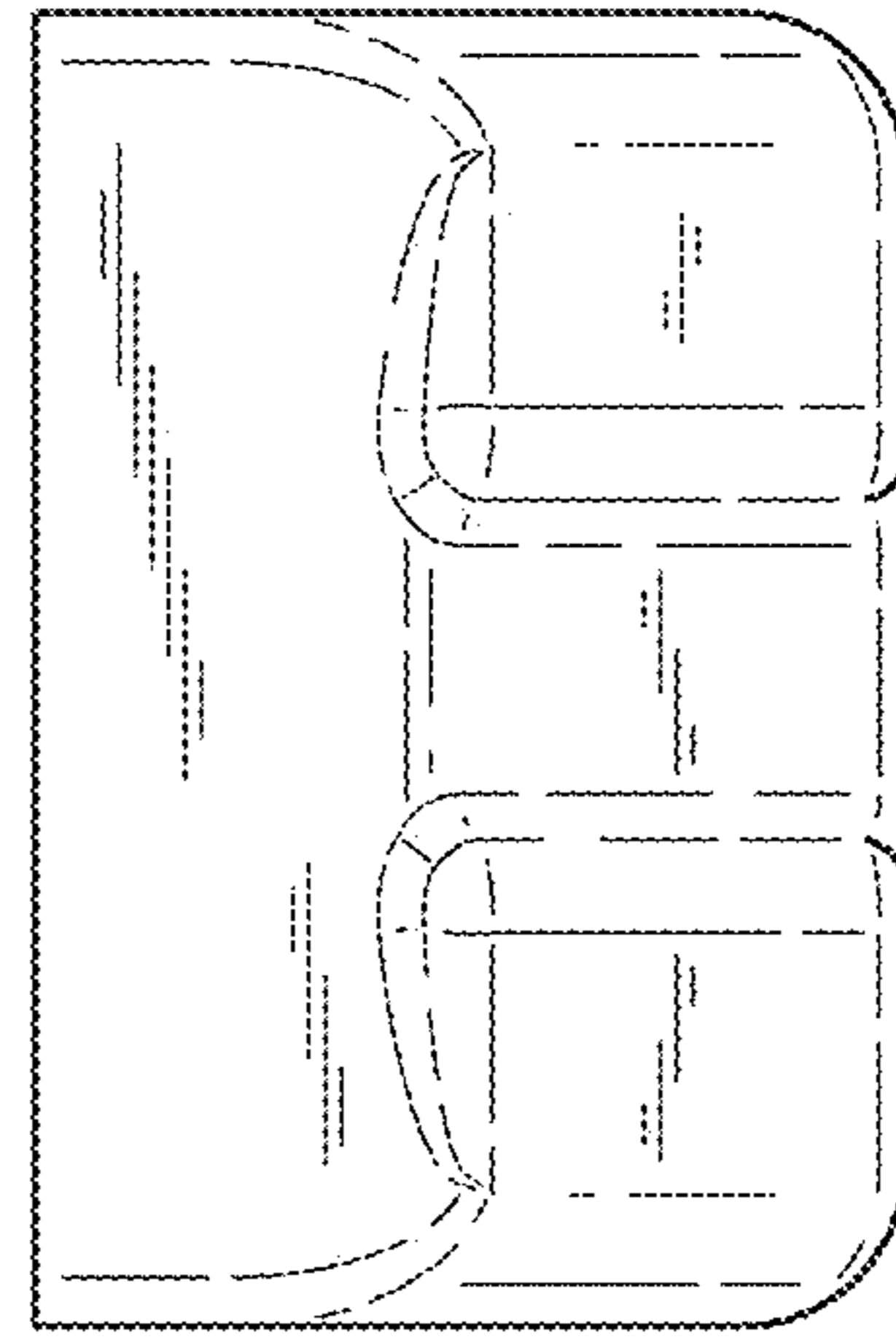


FIG. 8