



US00D944991S

(12) **United States Design Patent** (10) **Patent No.:** **US D944,991 S**  
**Abenaim** (45) **Date of Patent:** **\*\* Mar. 1, 2022**

(54) **DENTAL ABUTMENT SCREW**  
(71) Applicant: **Jonathan Abenaim**, Hawthorne, NJ  
(US)  
(72) Inventor: **Jonathan Abenaim**, Hawthorne, NJ  
(US)  
(\*\*) Term: **15 Years**  
(21) Appl. No.: **29/758,481**  
(22) Filed: **Nov. 16, 2020**  
(51) **LOC (13) Cl.** ..... **24-03**  
(52) **U.S. Cl.**  
USPC ..... **D24/156**  
(58) **Field of Classification Search**  
USPC ..... D24/155, 156  
CPC ..... A61C 8/00; A61C 8/0089; A61C 8/0069;  
A61C 8/0054; A61C 8/0096; A61C  
8/0039; A61C 8/0063; A61C 8/006; A61C  
8/0001; A61C 8/0012; A61C 8/0075;  
A61C 8/0083; A61C 13/225  
See application file for complete search history.

D587,373 S \* 2/2009 Purga ..... D24/156  
D612,056 S \* 3/2010 White, III ..... D24/156  
D732,668 S \* 6/2015 Fisler ..... D24/156  
D747,486 S \* 1/2016 Ishiwata ..... D24/156

**OTHER PUBLICATIONS**

www.Dess-usa.com DESS products 5 pages.

\* cited by examiner

*Primary Examiner* — Charles D Hanson

(74) *Attorney, Agent, or Firm* — Cozen O'Connor

(57) **CLAIM**

The ornamental design for a dental abutment screw, as shown and described.

**DESCRIPTION**

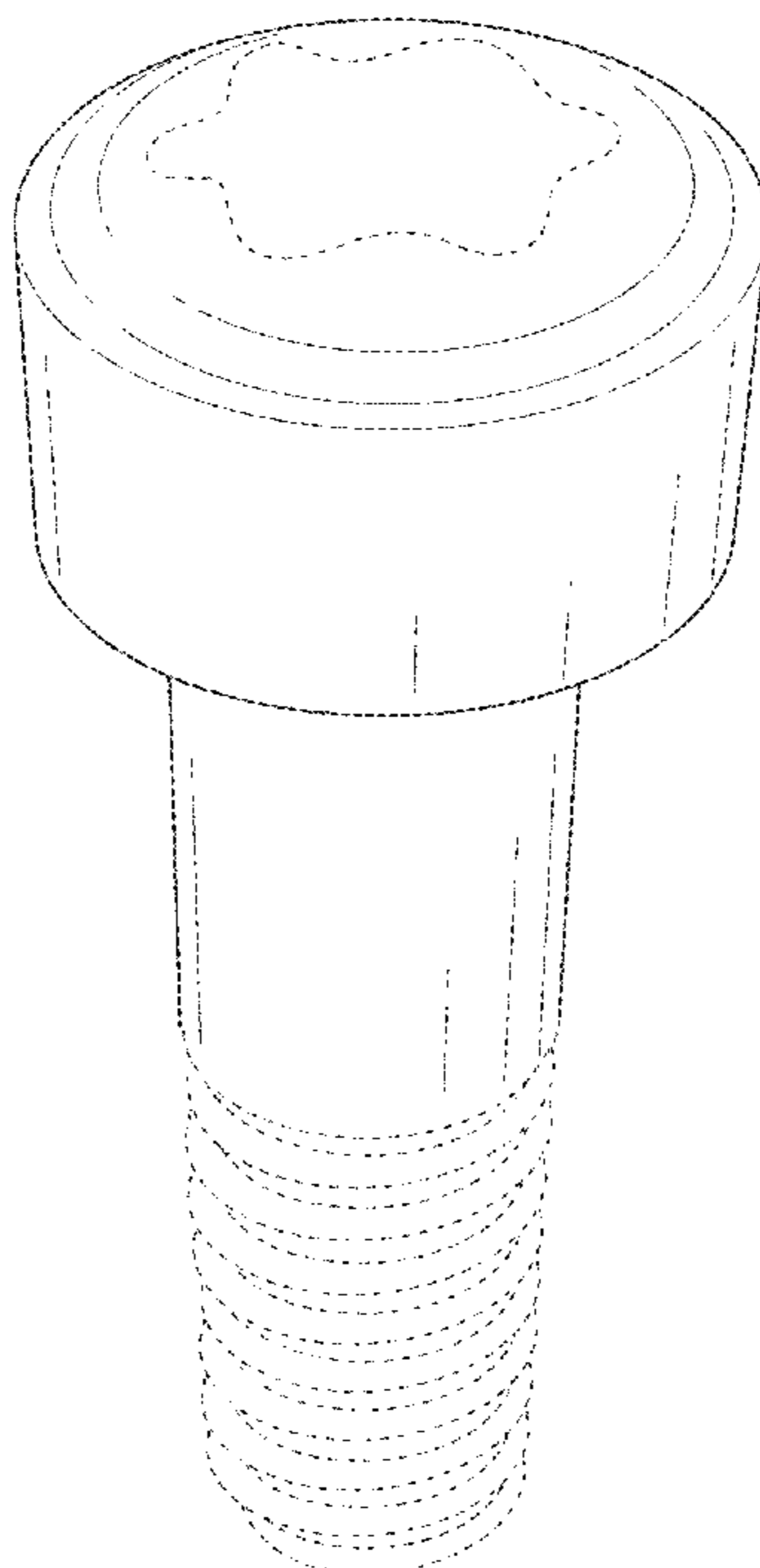
FIG. 1 is a side, perspective view of a dental abutment screw in accordance with the design;  
FIG. 2 is a left-side view thereof;  
FIG. 3 is a right-side view thereof;  
FIG. 4 is a front view thereof;  
FIG. 5 is a rear view thereof;  
FIG. 6 is a top view;  
FIG. 7 is a bottom view;  
FIG. 8 is a side, perspective view of a dental abutment screw in accordance with another embodiment of the design;  
FIG. 9 is a left-side view thereof;  
FIG. 10 is a right-side view thereof;  
FIG. 11 is a front view thereof;  
FIG. 12 is a rear view thereof;  
FIG. 13 is a top view; and,  
FIG. 14 is a bottom view.  
The features shown in dashed lines do not make up a part of the claimed design.

(56) **References Cited**

**U.S. PATENT DOCUMENTS**

4,995,810 A \* 2/1991 Soderberg ..... A61C 8/0089  
433/141  
5,071,350 A \* 12/1991 Niznick ..... A61C 8/0066  
433/173  
D338,959 S \* 8/1993 Loot ..... D24/156  
D374,079 S \* 9/1996 Broberg ..... D24/156  
D374,080 S \* 9/1996 Broberg ..... D24/156  
D414,556 S \* 9/1999 Broberg ..... D24/156  
D587,371 S \* 2/2009 Purga ..... D24/156

**1 Claim, 8 Drawing Sheets**



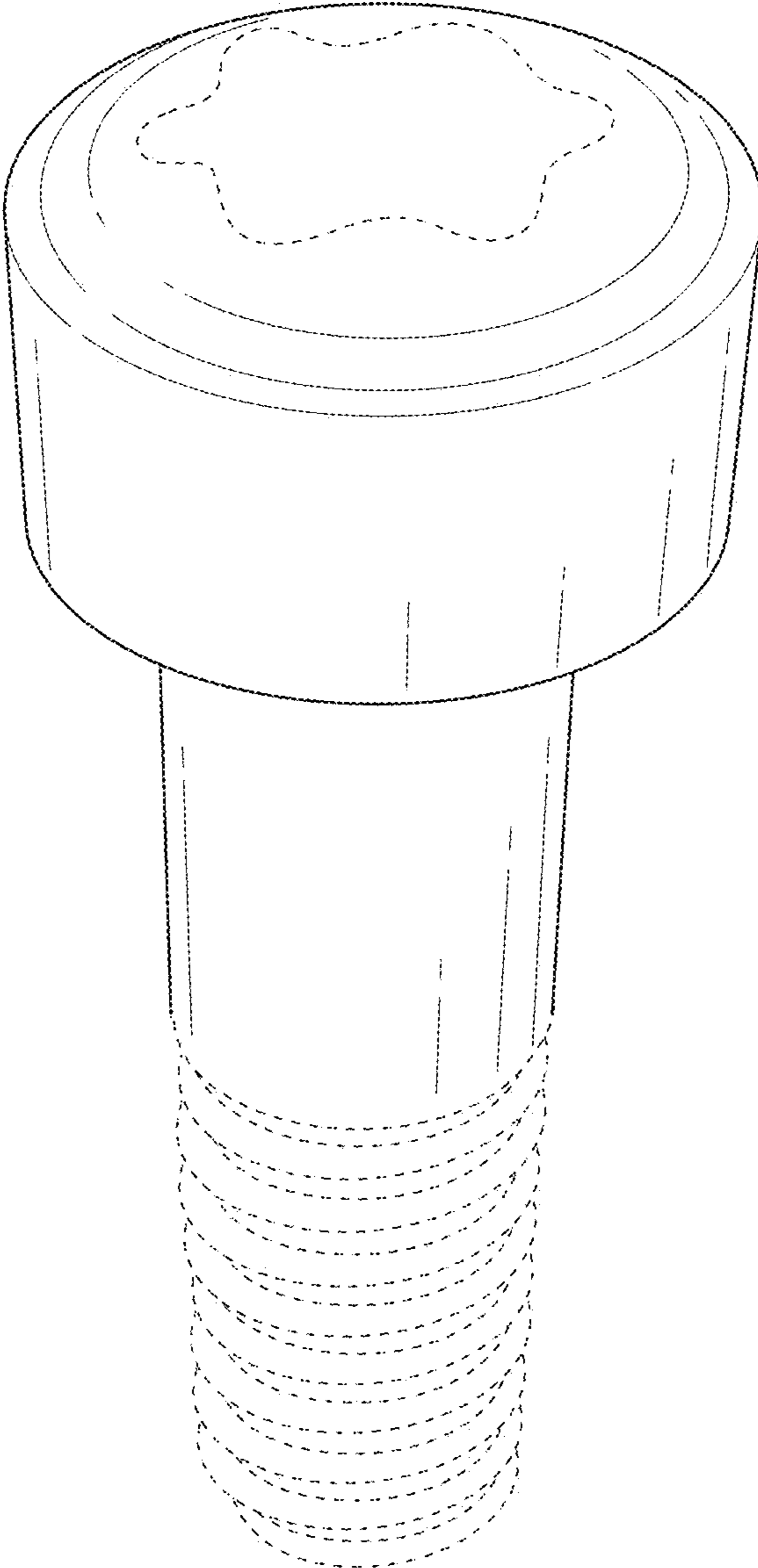


FIG. 1

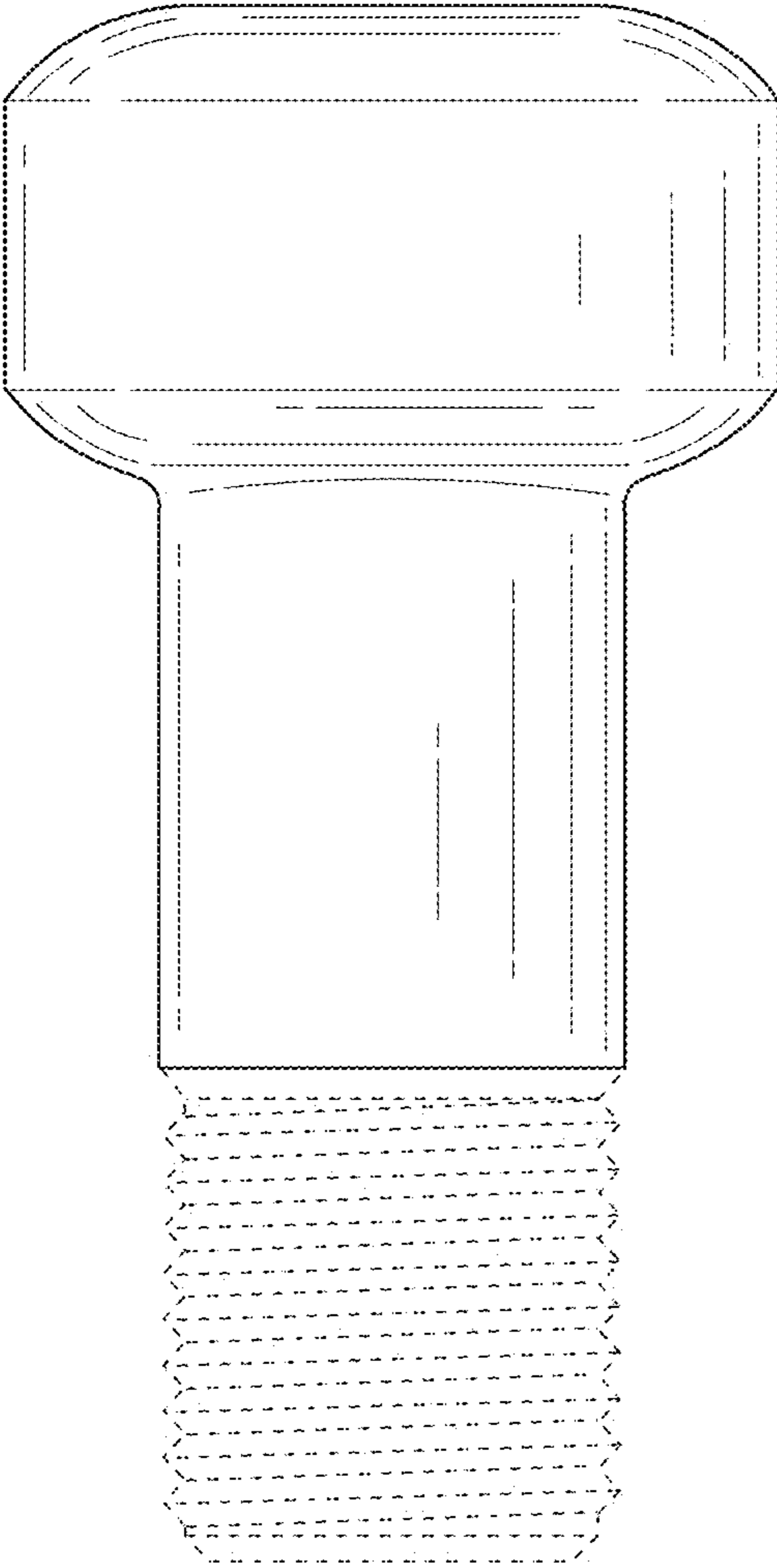


FIG. 2

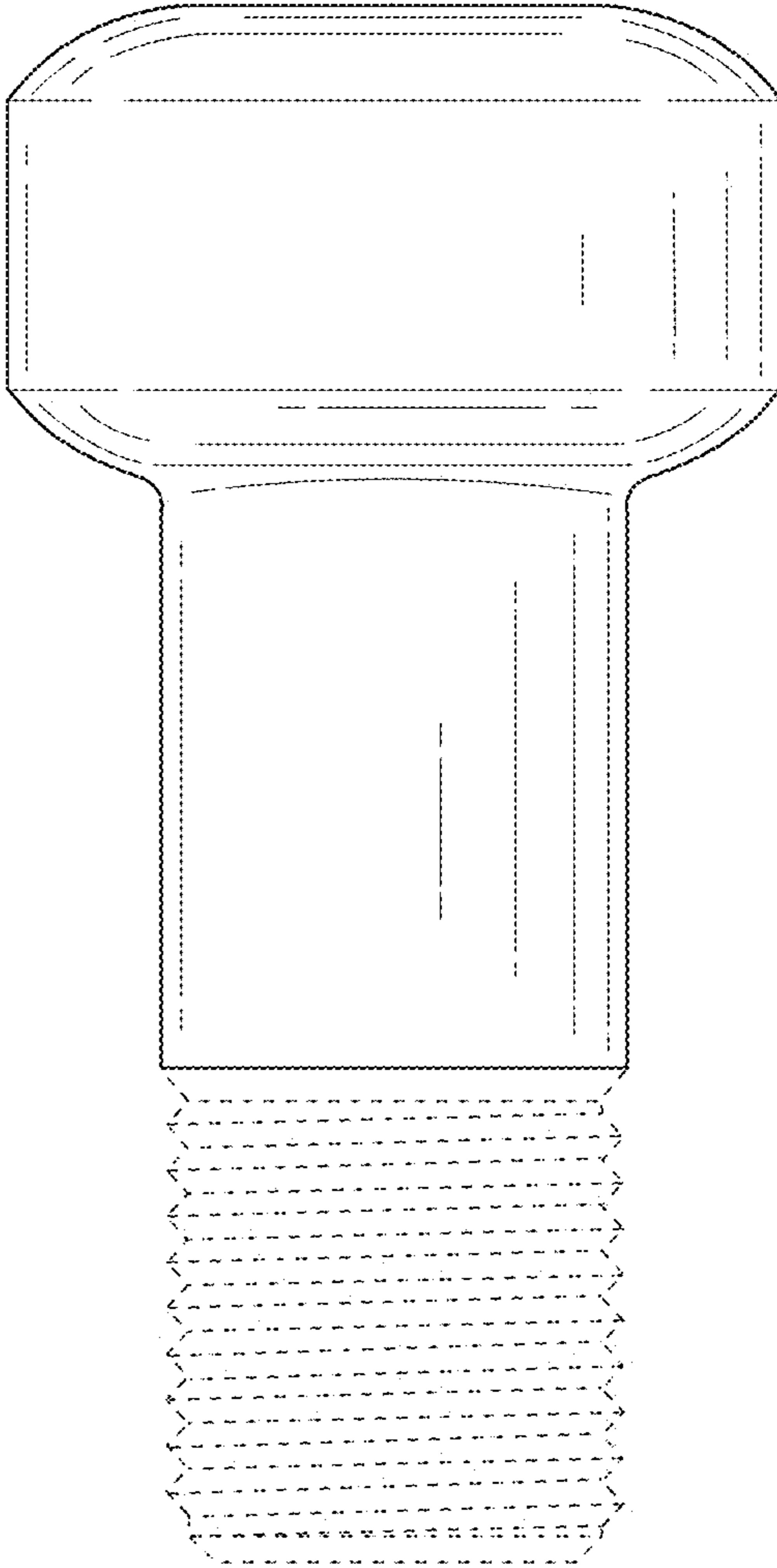


FIG. 3

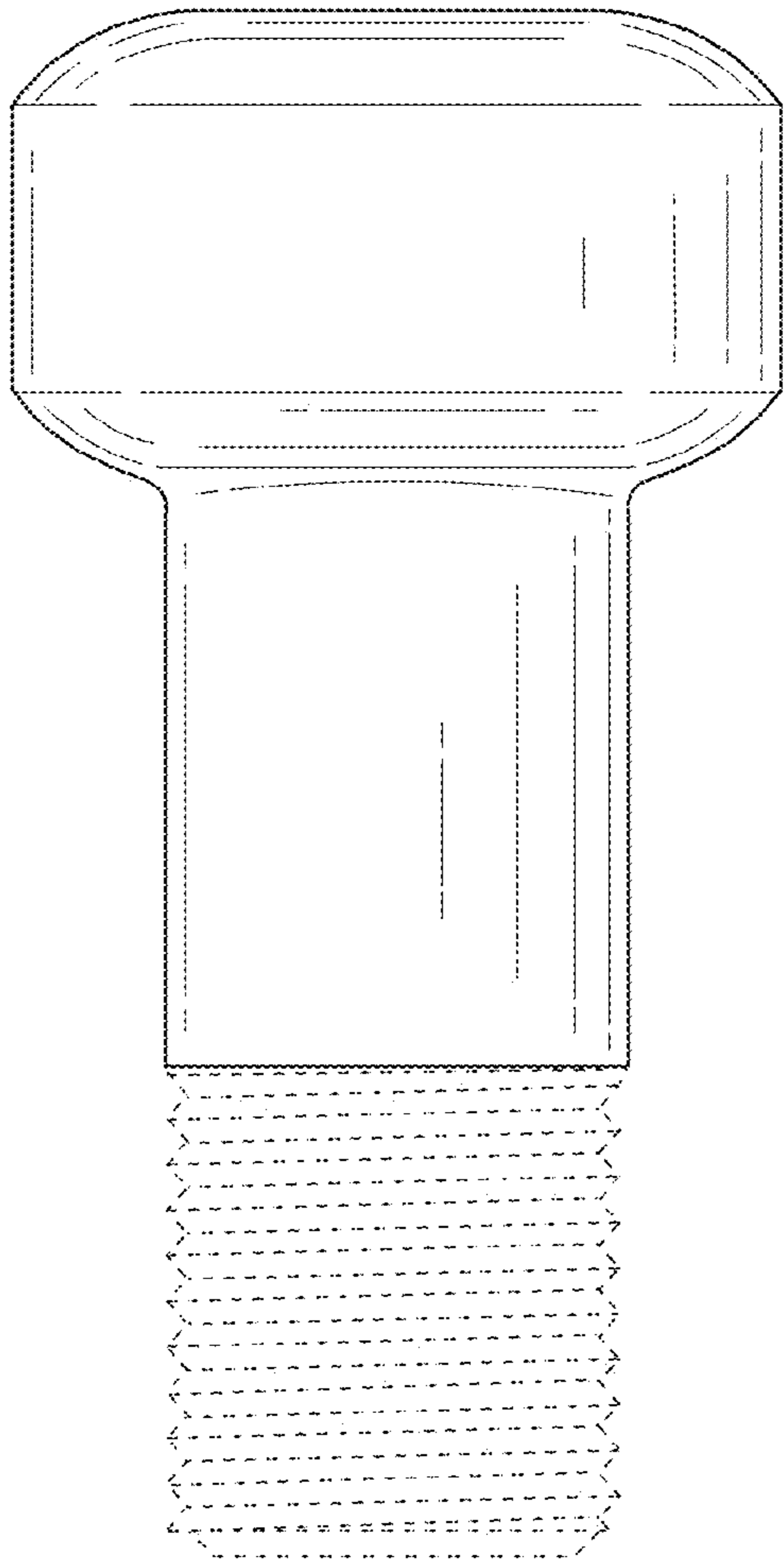


FIG. 4

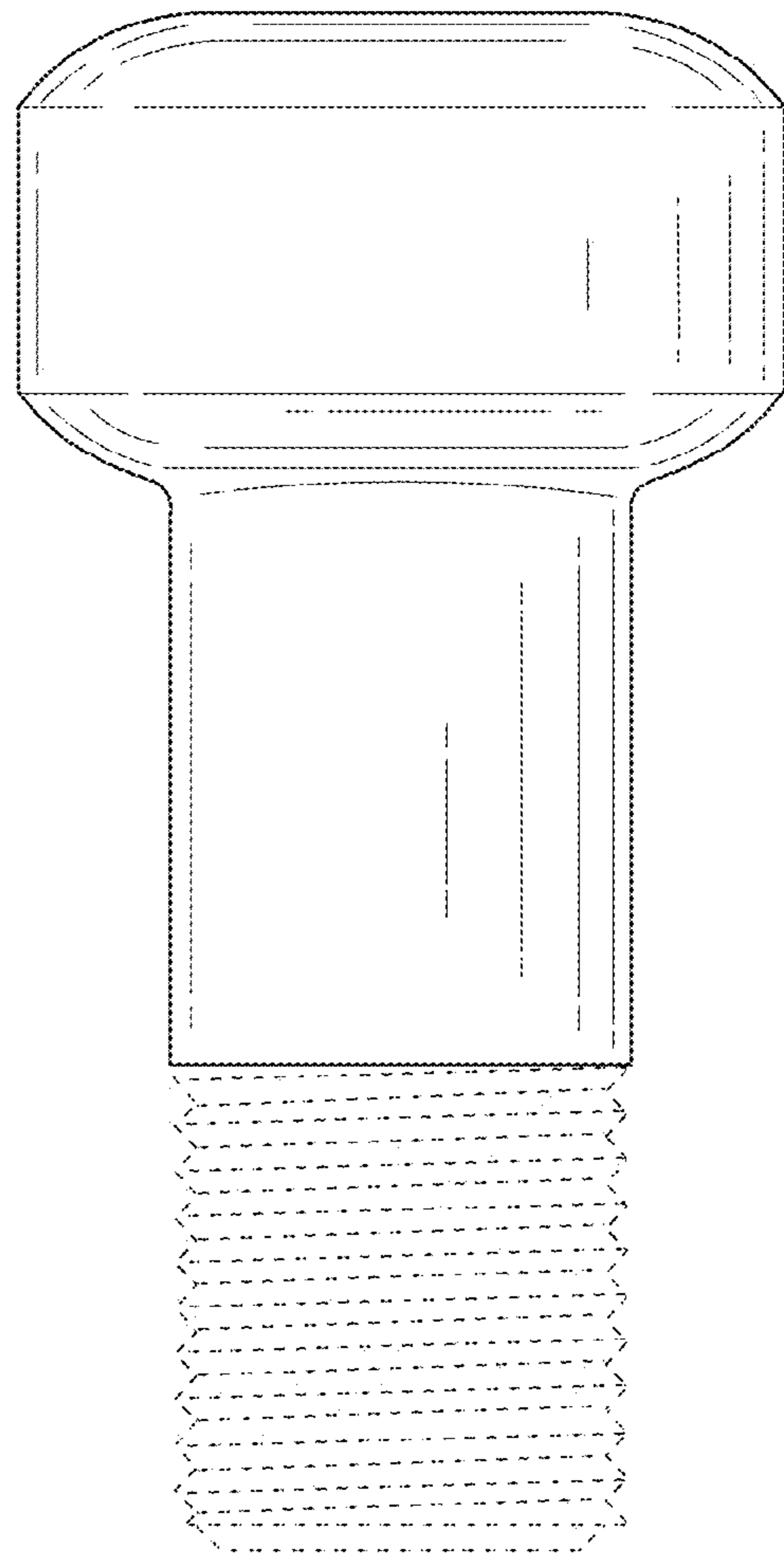


FIG. 5

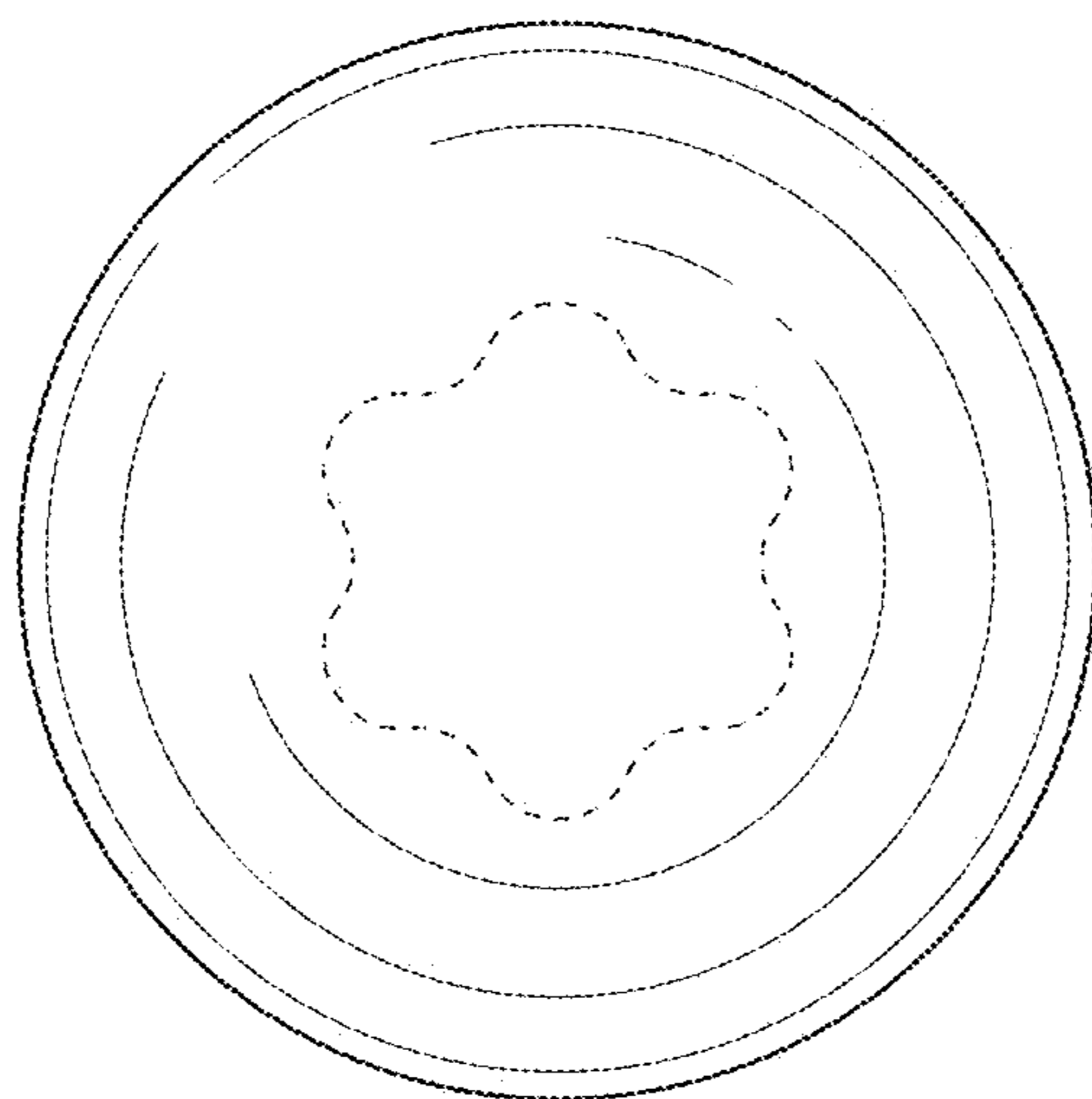


FIG. 6

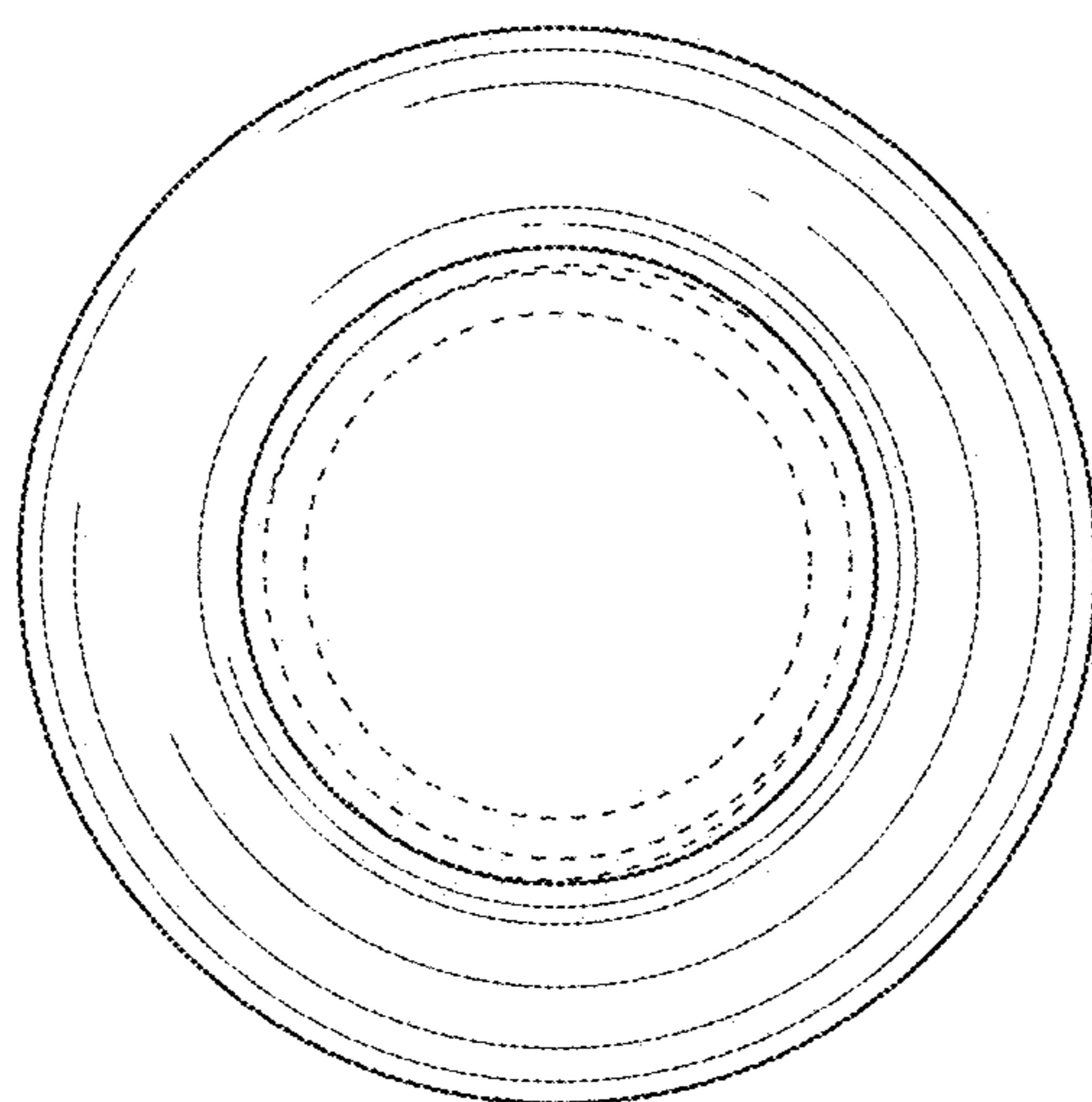


FIG. 7

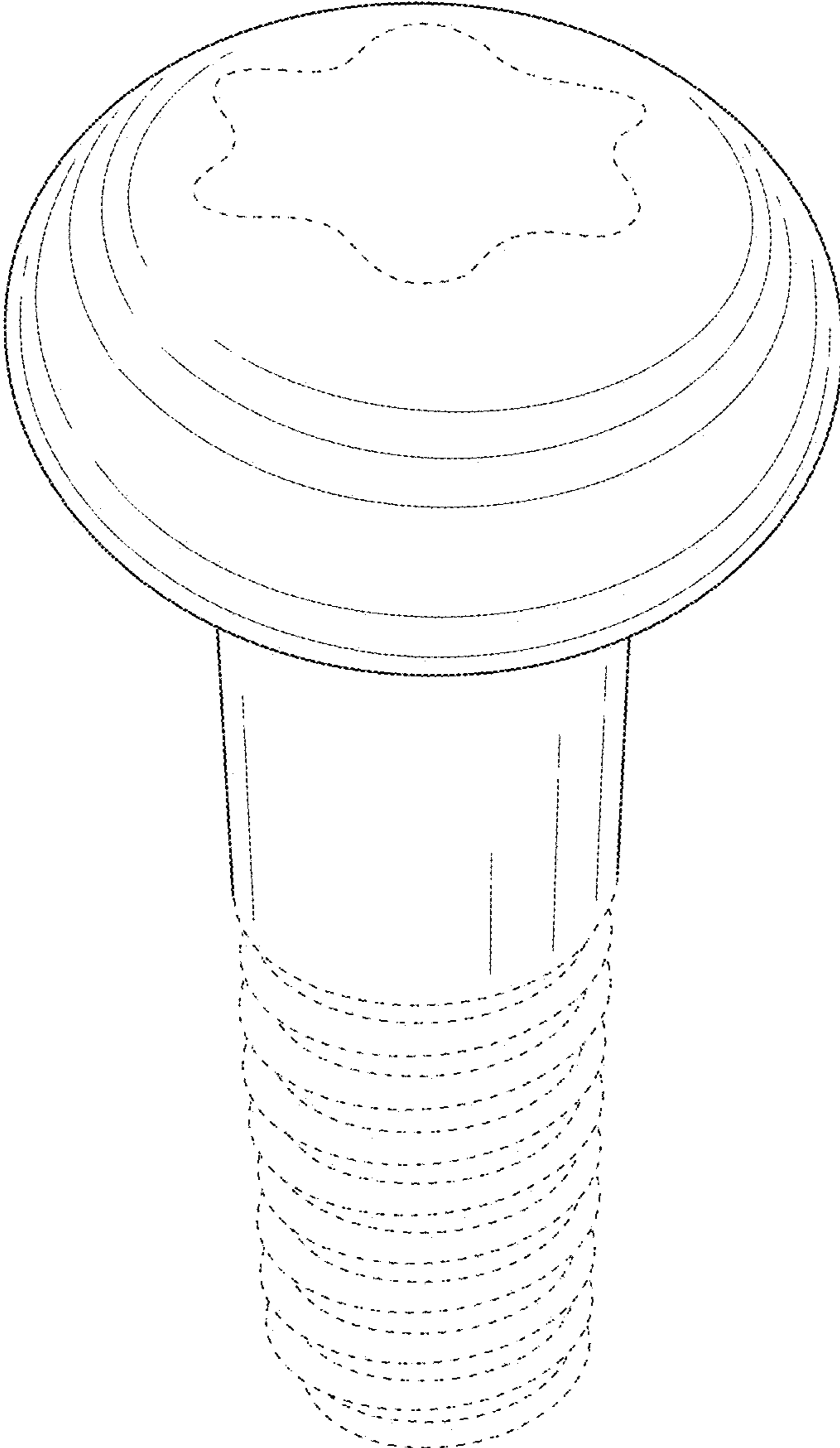


FIG. 8

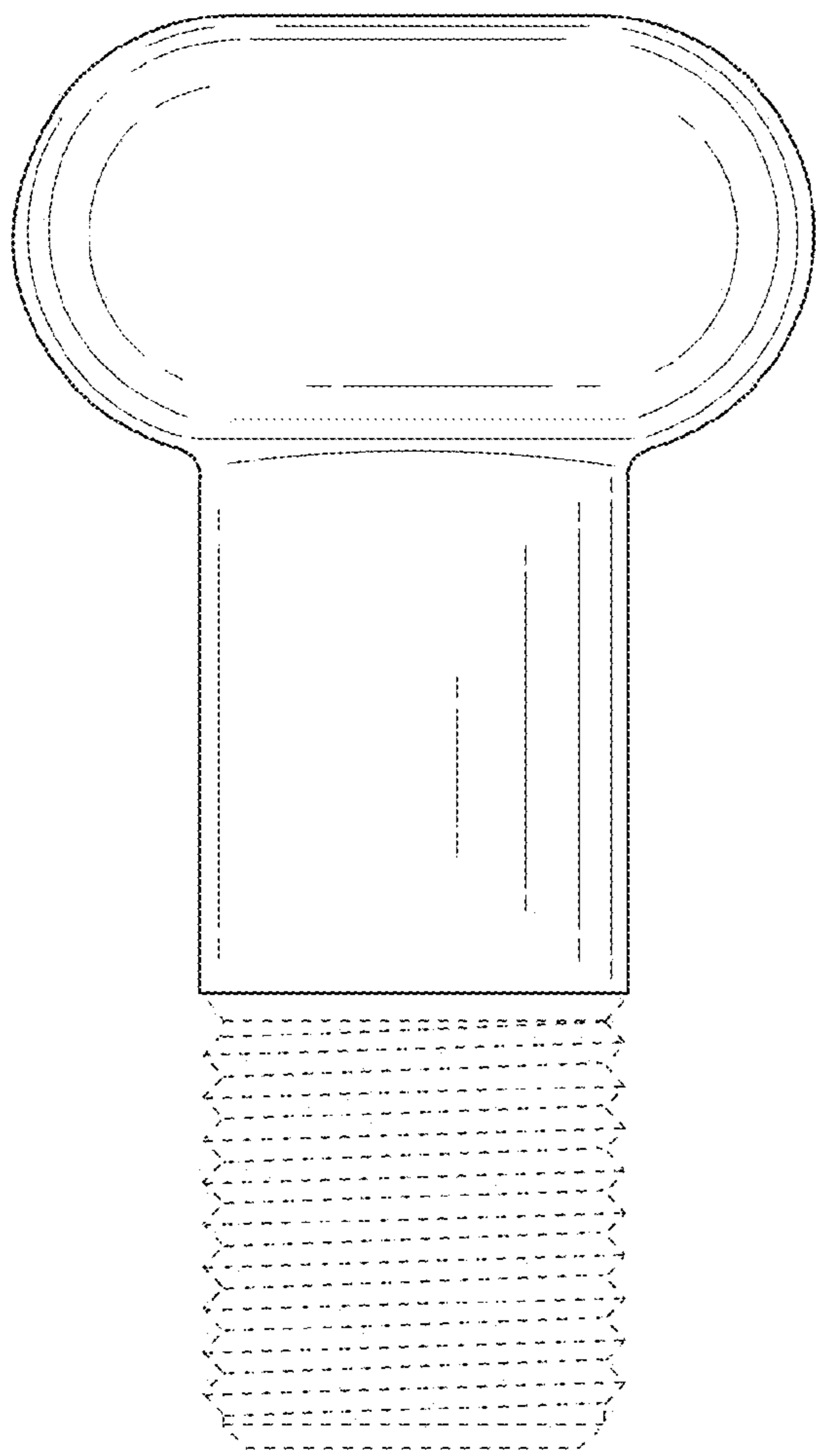


FIG. 9

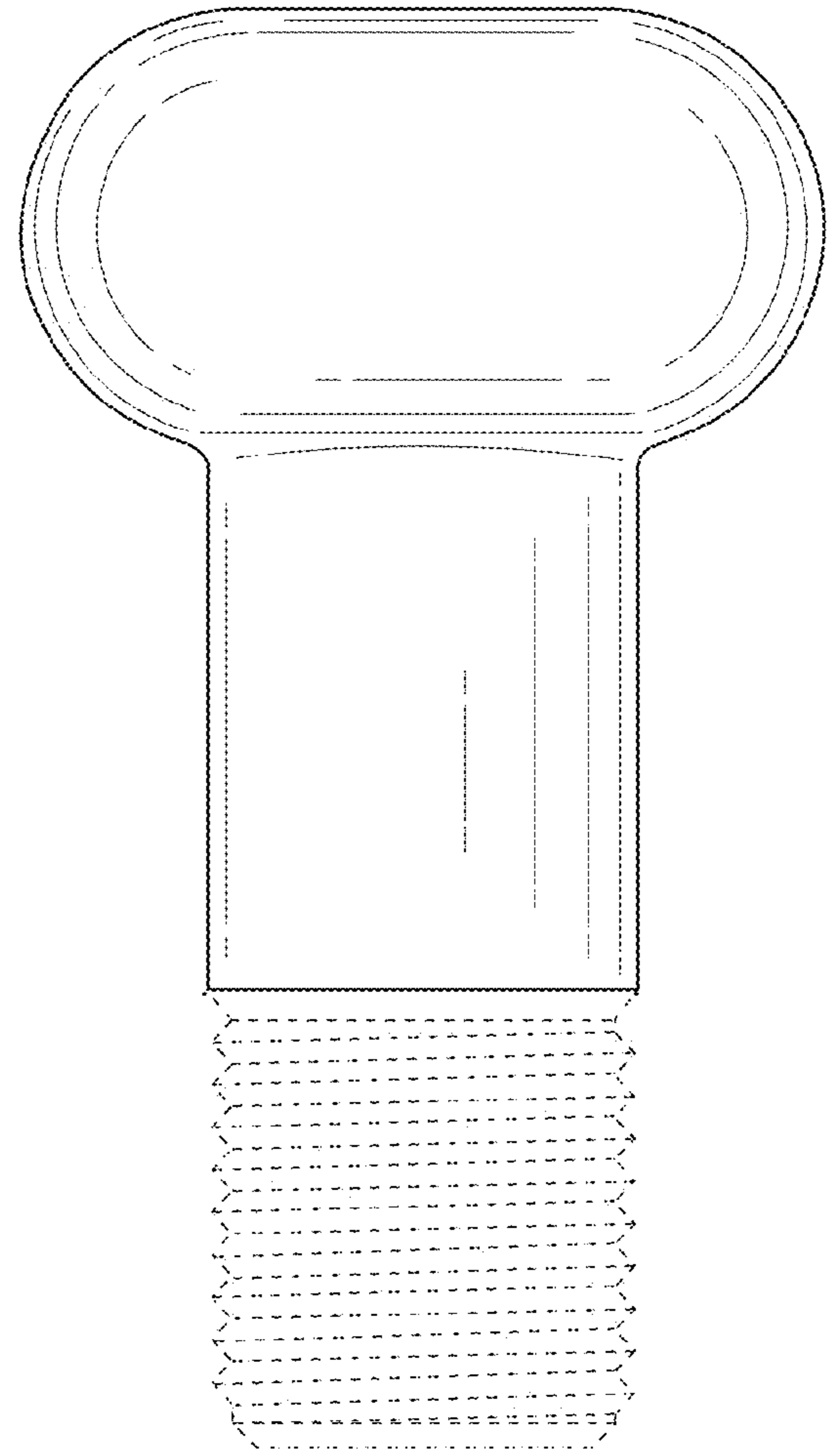


FIG. 10

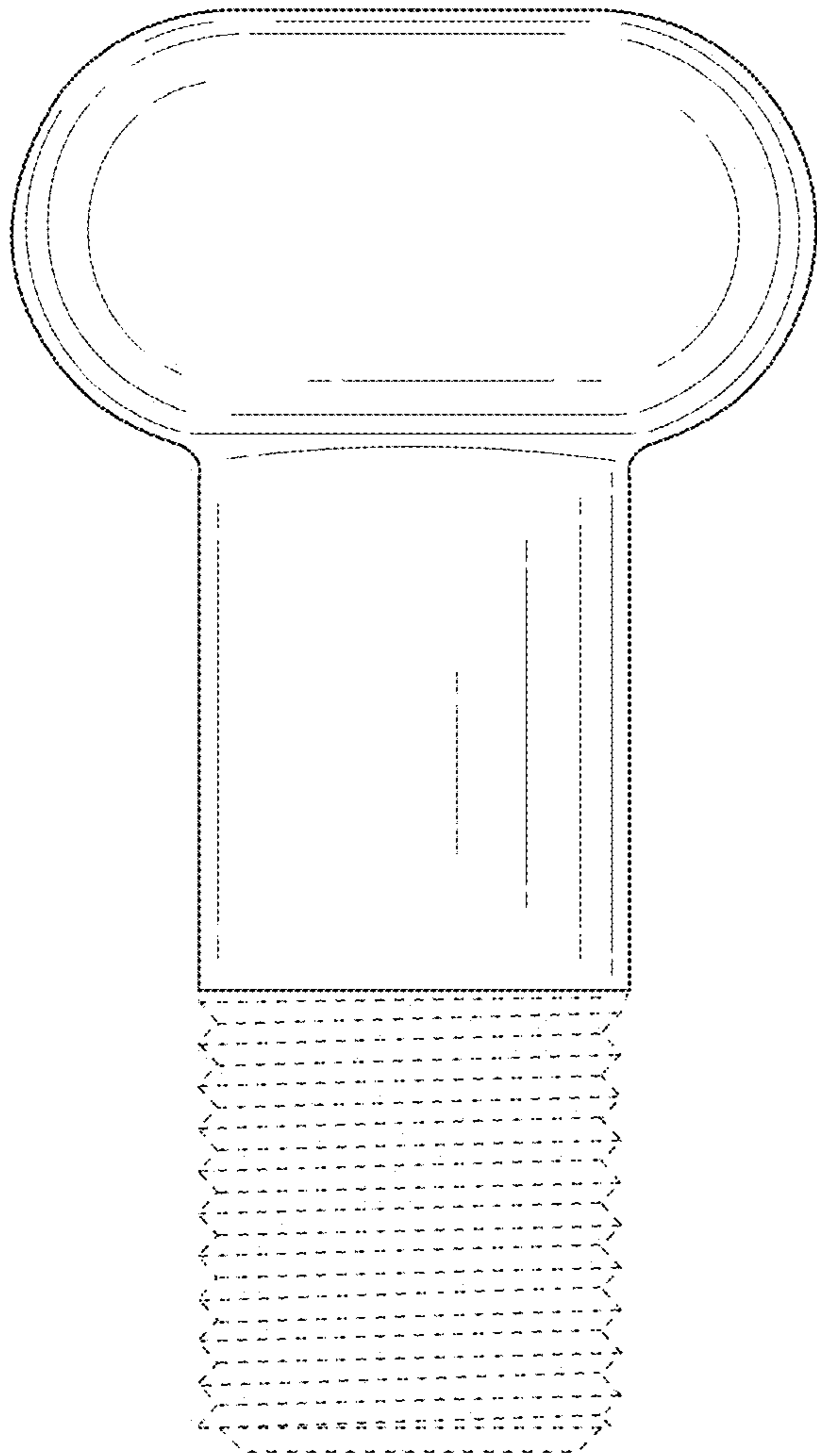


FIG. 11

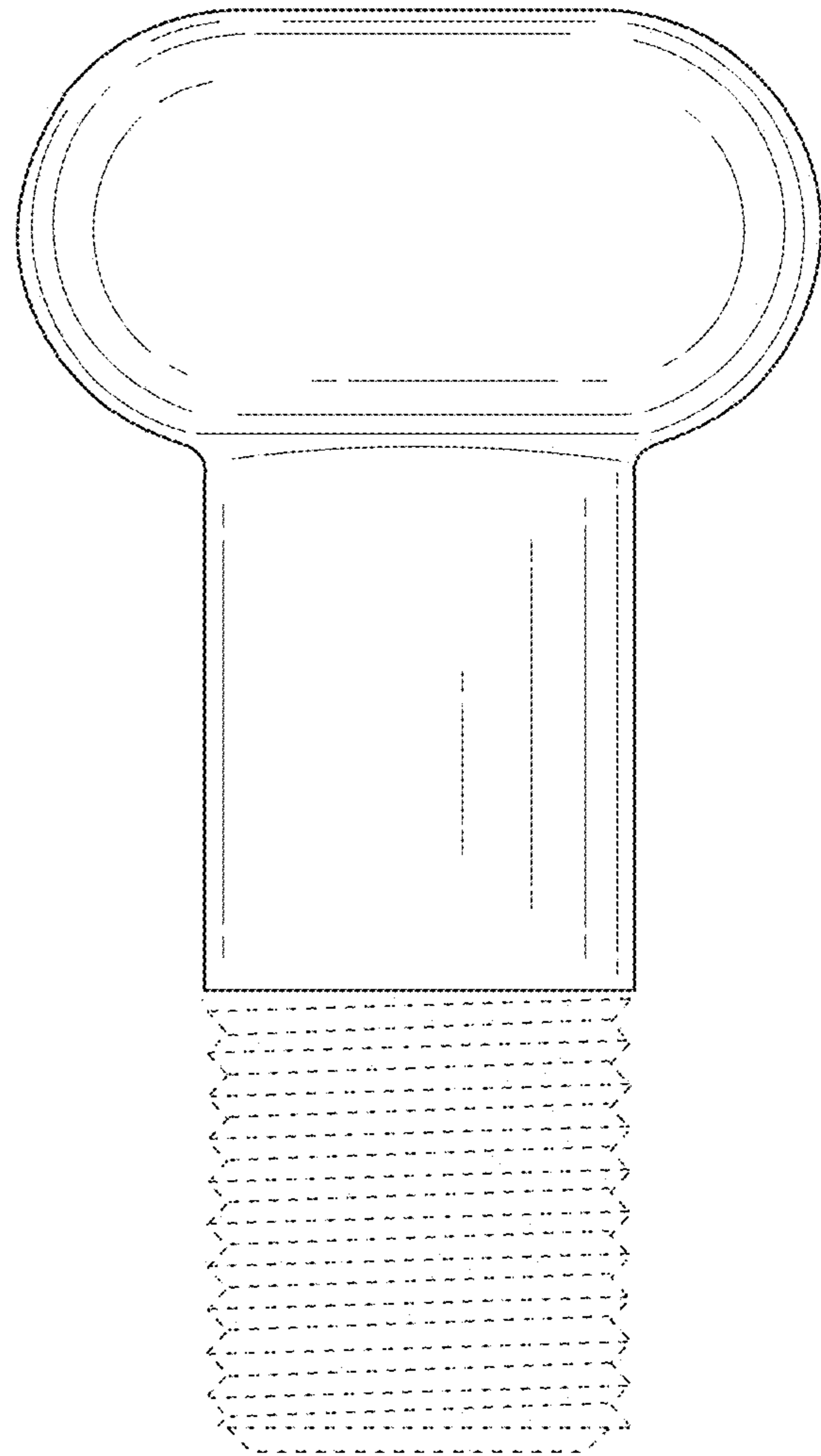


FIG. 12



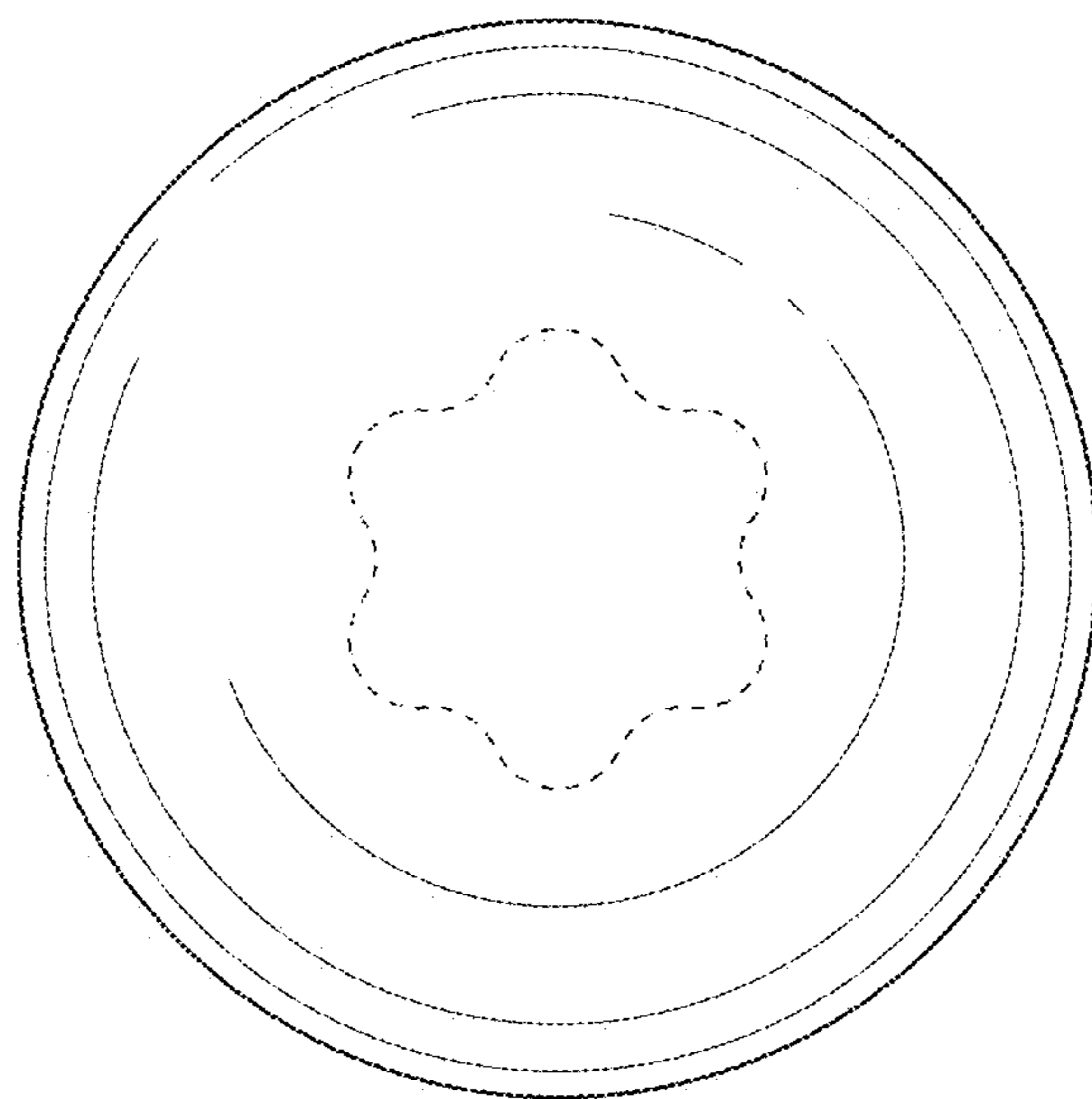


FIG. 13

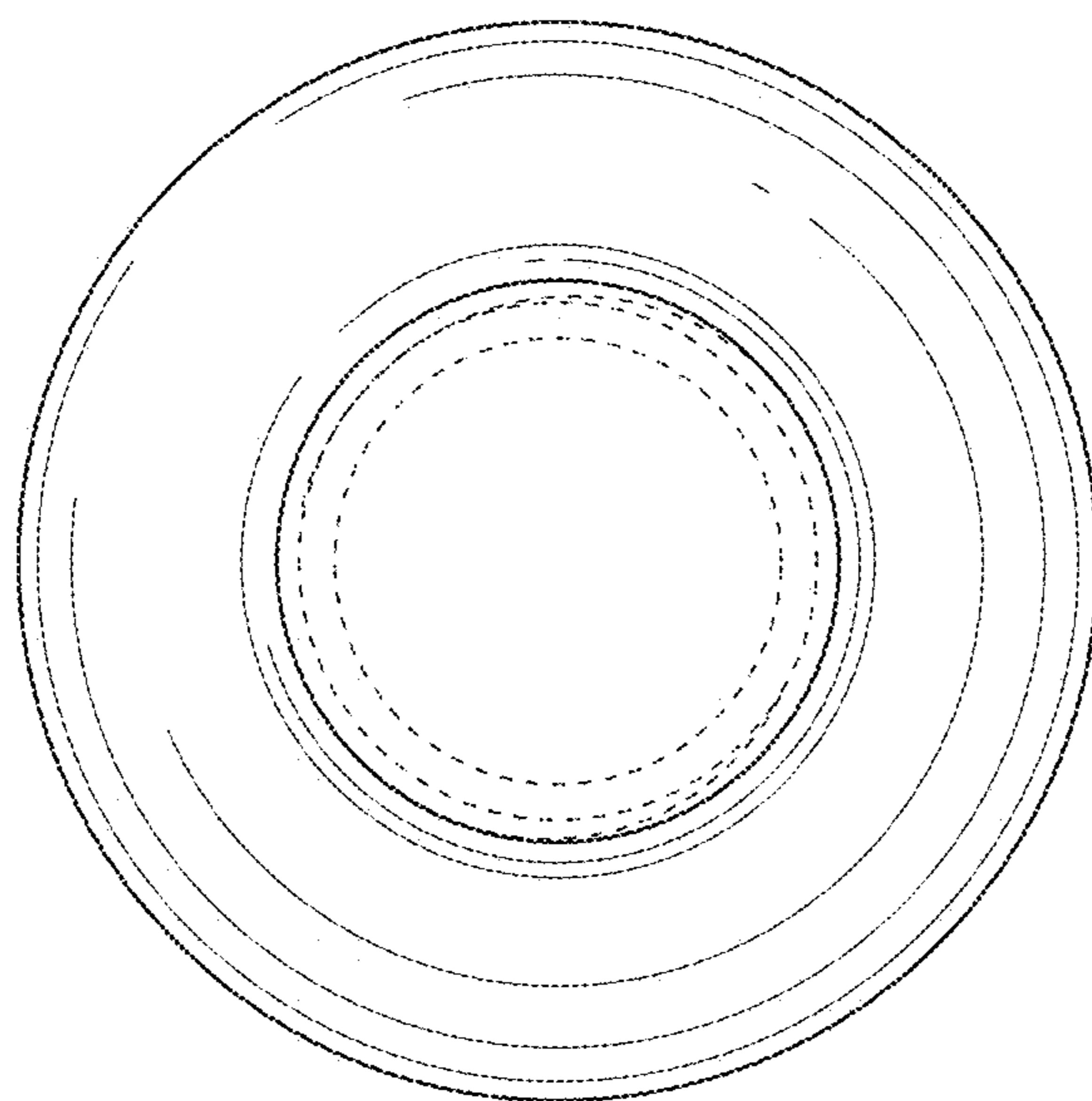


FIG. 14