



US00D944989S

(12) **United States Design Patent**  
**Ishizuka et al.**

(10) **Patent No.:** **US D944,989 S**  
(45) **Date of Patent:** **\*\* Mar. 1, 2022**

(54) **LIGHT GUIDE FOR DENTAL LIGHT IRRADIATOR**

*Primary Examiner* — Wan Laymon

(74) *Attorney, Agent, or Firm* — Osha Bergman Watanabe & Burton LLP

(71) Applicants: **Fujikura Ltd.**, Tokyo (JP); **FiberTech Co., Ltd.**, Chiba (JP)

(72) Inventors: **Takeshi Ishizuka**, Sakura (JP); **Osamu Nakao**, Sakura (JP); **Kenichi Nakatate**, Sakura (JP); **Mitsuru Kamikatano**, Sakura (JP); **Yusuke Matsuda**, Sakura (JP)

(57) **CLAIM**

The ornamental design for a light guide for dental light irradiator, as shown and described.

(73) Assignees: **Fujikura Ltd.**, Tokyo (JP); **FiberTech Co., Ltd.**, Chiba (JP)

**DESCRIPTION**

(\*\*) Term: **15 Years**

FIG. 1 is a bottom front perspective view of a light guide for dental light irradiator;  
FIG. 2 is a top front perspective view of the light guide for dental light irradiator of FIG. 1;  
FIG. 3 is a front elevation view of the light guide for dental light irradiator of FIG. 1;  
FIG. 4 is a top plan view of the light guide for dental light irradiator of FIG. 1;  
FIG. 5 is a bottom plan view of the light guide for dental light irradiator of FIG. 1;  
FIG. 6 is a left side elevation view of the light guide for dental light irradiator of FIG. 1;  
FIG. 7 is an enlarged right side elevation view of the light guide for dental light irradiator of FIG. 1;  
FIG. 8 is an enlarged view of the light guide for dental light irradiator of FIG. 6; and,  
FIG. 9 is a referential view showing the light guide for dental light irradiator of FIG. 1 in a dental light irradiator.

(21) Appl. No.: **29/728,912**

(22) Filed: **Mar. 23, 2020**

(30) **Foreign Application Priority Data**

Oct. 1, 2019 (JP) ..... 2019-022127

(51) **LOC (13) Cl.** ..... **24-02**

(52) **U.S. Cl.**  
USPC ..... **D24/152**

(58) **Field of Classification Search**  
USPC ..... D24/152, 127, 176-177; D14/453  
CPC ..... A61C 19/00; A61C 19/004; A61C 1/088;  
A61B 1/24; A61B 5/0088; A61B 5/0062;  
A61B 1/0005; G06T 7/55; G06T 7/75;  
G06T 2207/30036  
See application file for complete search history.

The shade lines on the surfaces of the light guide for dental light irradiator show contour and not surface ornamentation. In particular, the oblique line shading in FIGS. 1, 5, 7, and 9 represents a transparent surface. The broken lines in FIG. 7 are included for the purpose of illustrating a portion of the light guide for dental light irradiator that forms no part of the claimed design. The broken lines shown in FIGS. 7 and 9 illustrate portions of the light guide for dental light irradiator that form no part of the claim.

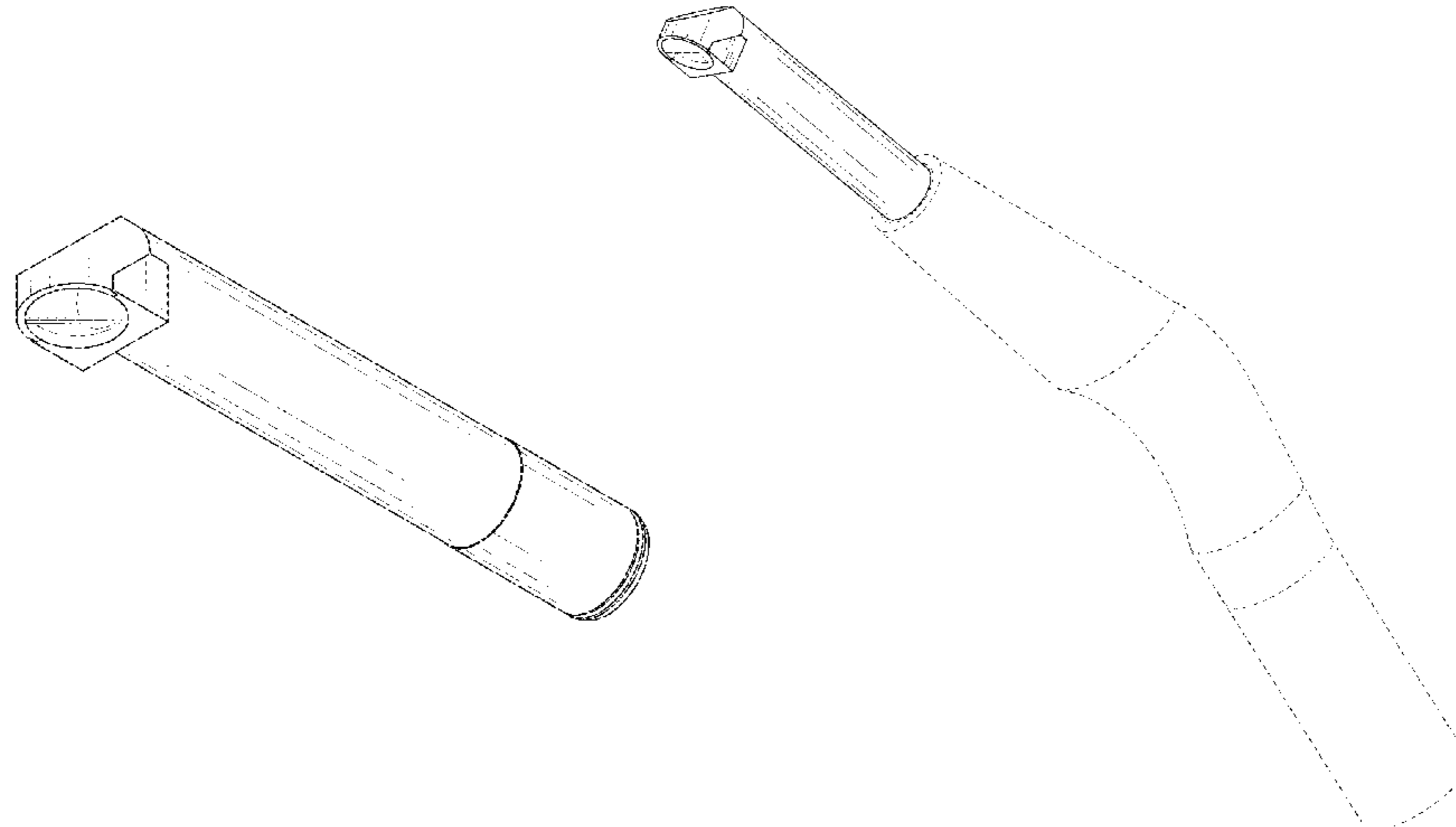
(56) **References Cited**

**U.S. PATENT DOCUMENTS**

6,971,876 B2 \* 12/2005 Cao ..... A61C 19/004  
362/800  
6,974,319 B2 \* 12/2005 Cao ..... A61C 19/004  
433/29  
7,108,504 B2 \* 9/2006 Cao ..... A61C 19/004  
433/29

(Continued)

**1 Claim, 9 Drawing Sheets**



(56)

**References Cited**

U.S. PATENT DOCUMENTS

D558,345 S \* 12/2007 Witt ..... D24/152  
D810,293 S \* 2/2018 Peel ..... D24/152  
10,231,810 B2 \* 3/2019 Gramann ..... A61C 19/004  
10,898,306 B2 \* 1/2021 Schmid ..... A61B 1/24  
2006/0018123 A1 \* 1/2006 Rose ..... A61C 19/004  
362/341  
2006/0084028 A1 \* 4/2006 Cheetham ..... A61C 19/004  
433/29  
2012/0251973 A1 \* 10/2012 Gramann ..... A61C 1/088  
433/29  
2020/0008914 A1 \* 1/2020 Schmid ..... A61C 19/004

\* cited by examiner

FIG. 1

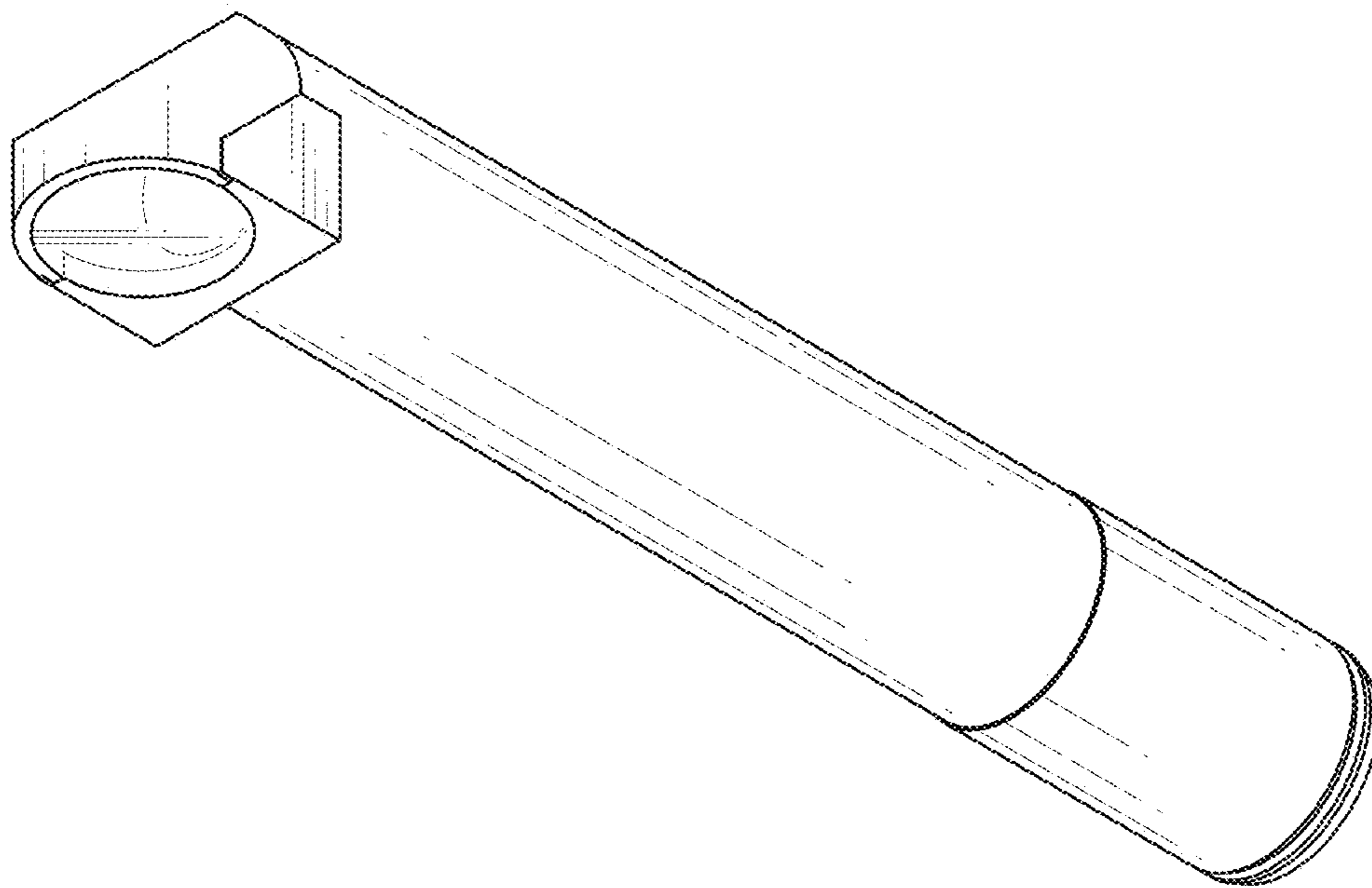


FIG. 2

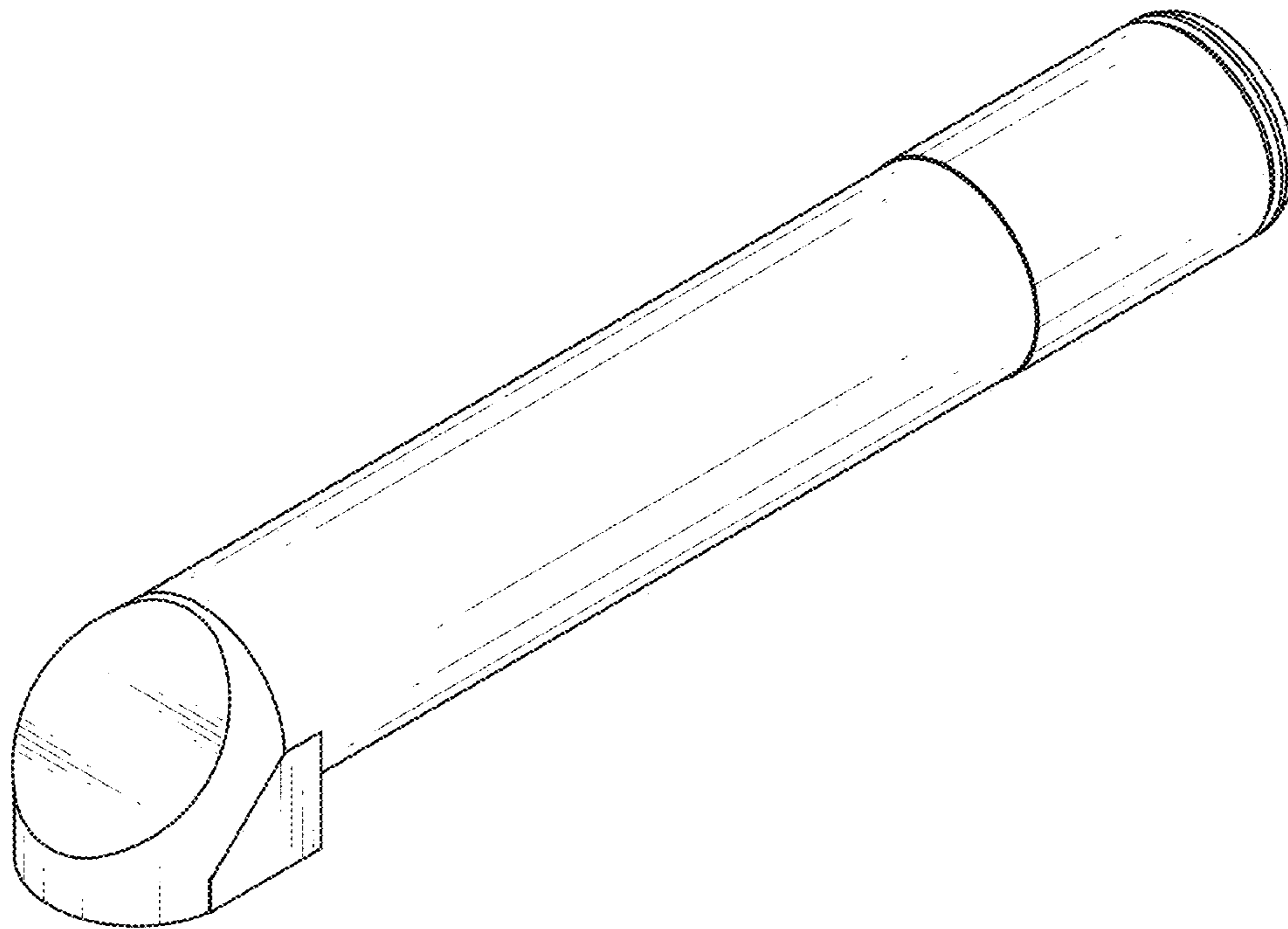


FIG. 3

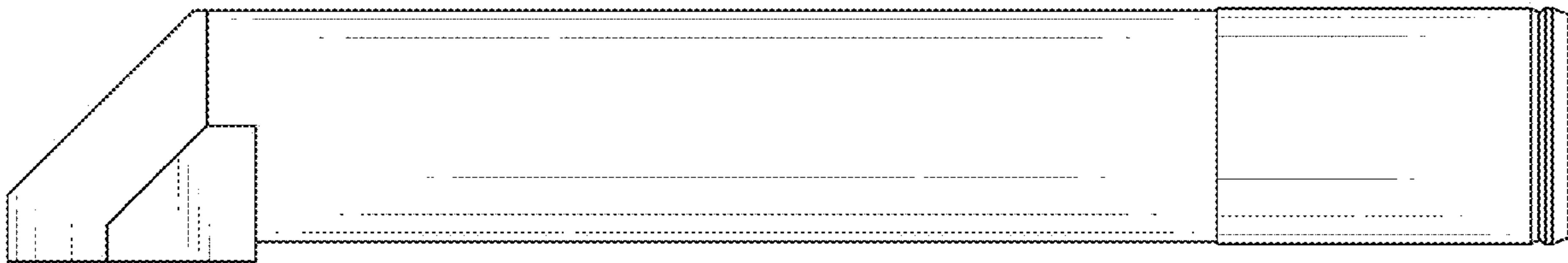


FIG. 4

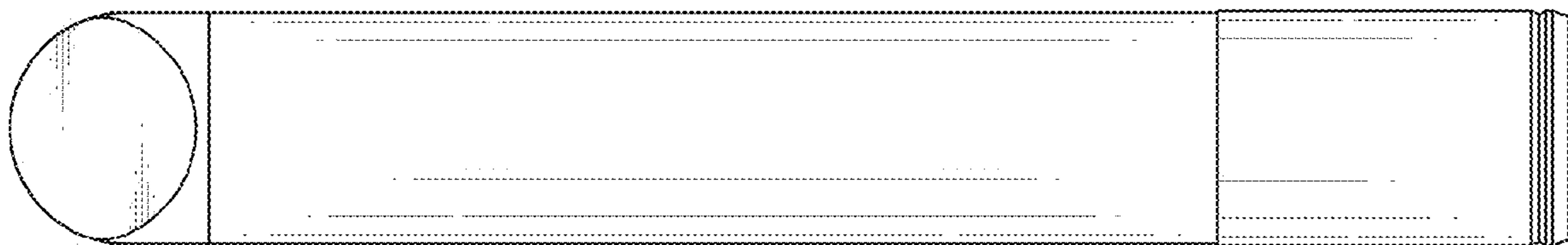


FIG. 5

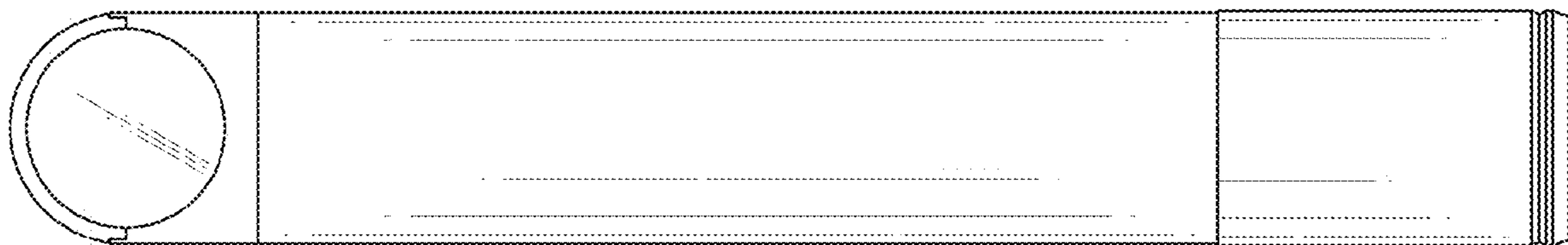


FIG. 6

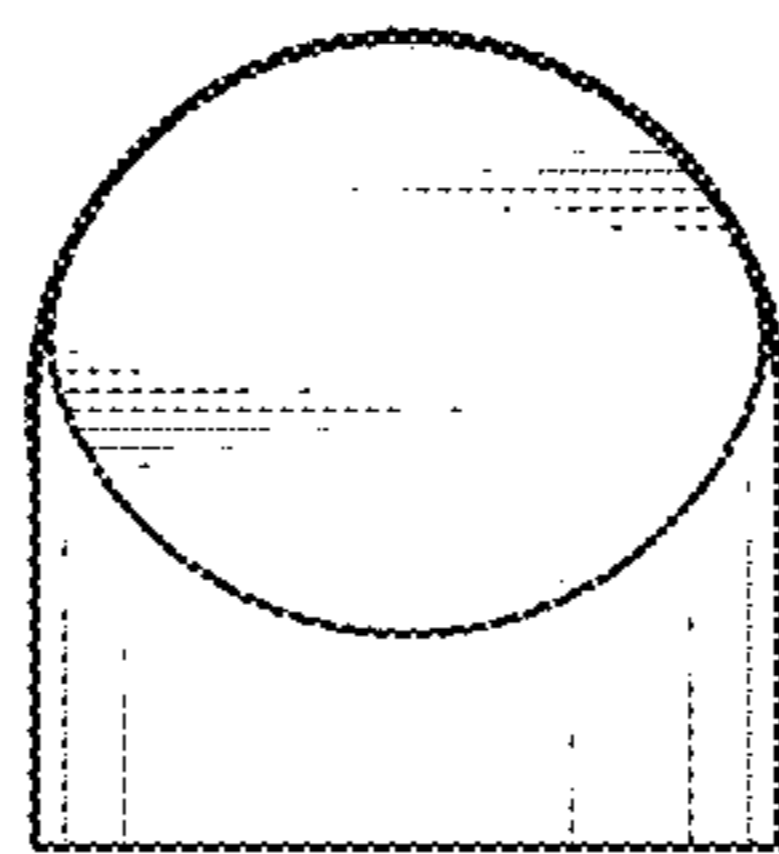




FIG. 7

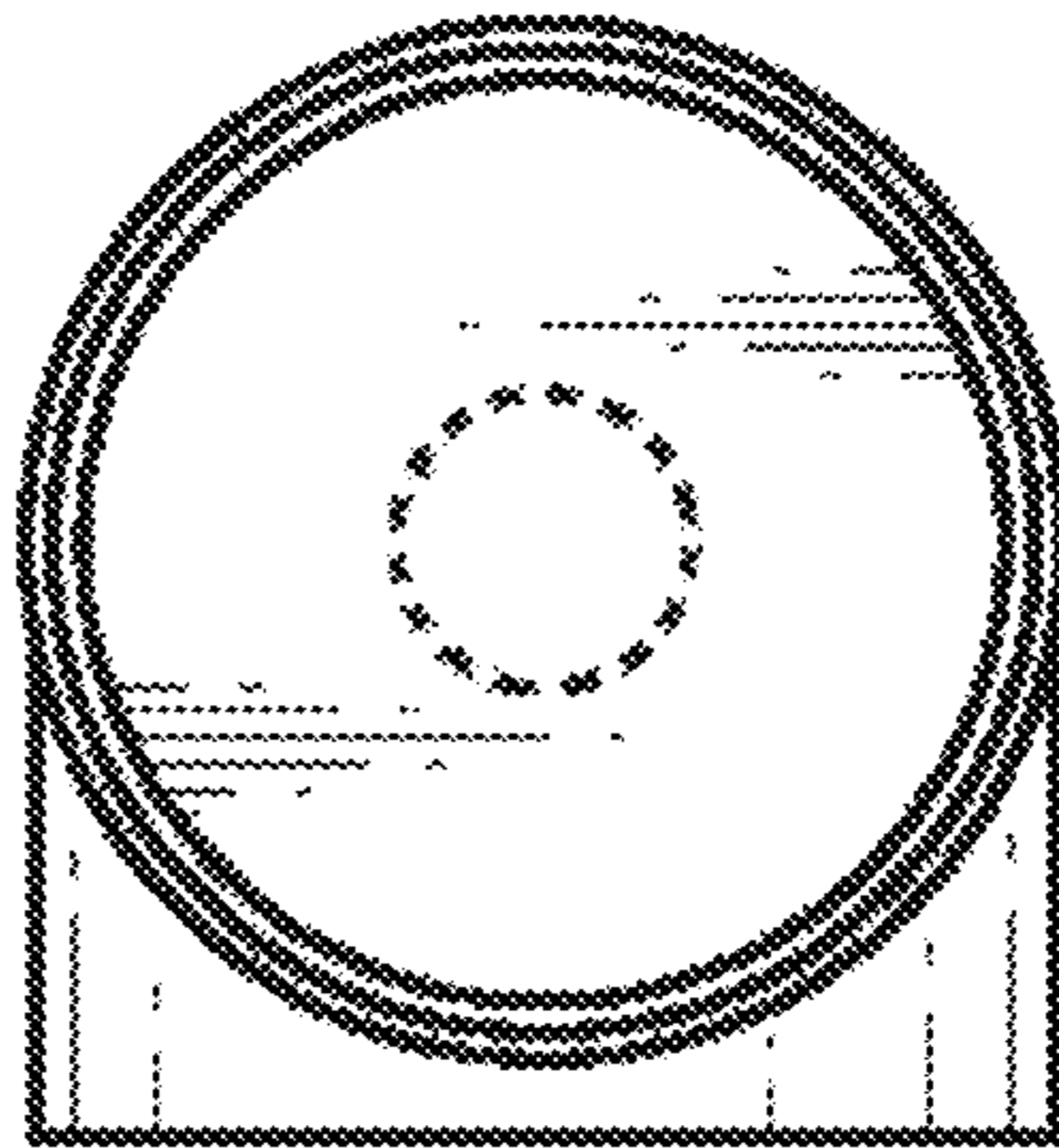


FIG. 8

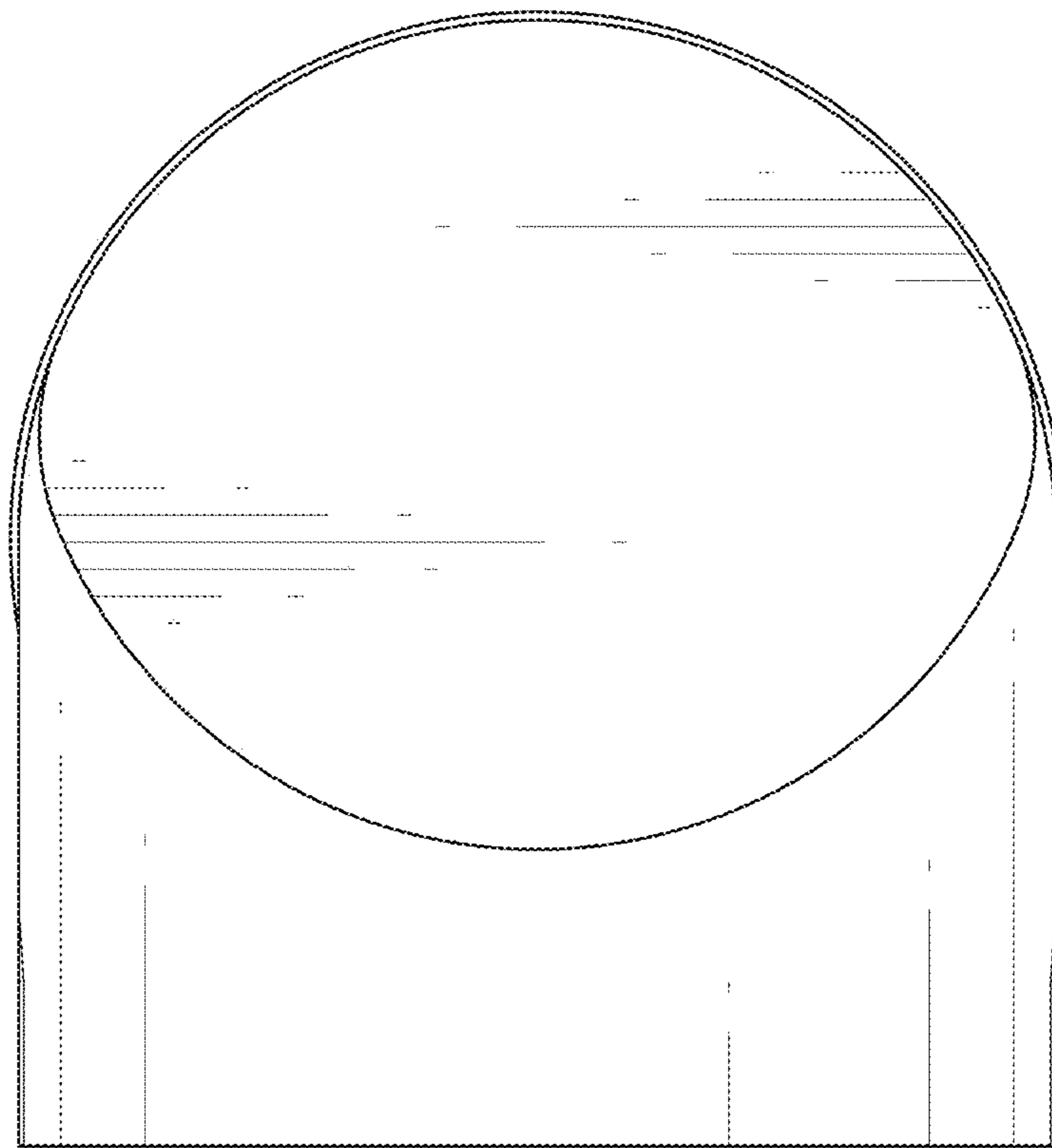


FIG. 9

