



US00D944985S

(12) **United States Design Patent**
Adinolfi

(10) **Patent No.:** **US D944,985 S**
(45) **Date of Patent:** **** Mar. 1, 2022**

(54) **POSITIONING GUIDE CUFF**

FOREIGN PATENT DOCUMENTS

(71) Applicant: **Covidien LP**, Mansfield, MA (US)

EM 007974829-0001 * 8/2020
EM 007974829-0002 * 8/2020

(72) Inventor: **Amanda M. Adinolfi**, Wallingford, CT (US)

(Continued)

(73) Assignee: **COVIDIEN LP**, Mansfield, MA (US)

OTHER PUBLICATIONS

(**) Term: **15 Years**

Extended European Search Report corresponding to EP 14 15 8946.5, completed Jun. 20, 2014 and dated Jul. 8, 2014; (9 pp).

(Continued)

(21) Appl. No.: **29/717,778**

Primary Examiner — Bridget L Eland

(22) Filed: **Dec. 19, 2019**

(74) *Attorney, Agent, or Firm* — Carter, DeLuca & Farrell LLP

(51) **LOC (13) Cl.** **24-02**

(57) **CLAIM**

(52) **U.S. Cl.**

The ornamental design for a positioning guide cuff, substantially as shown and described.

USPC **D24/140**

DESCRIPTION

(58) **Field of Classification Search**

USPC D24/140, 133, 135
CPC .. A61N 1/37518; A61B 8/0841; A61B 10/04;
A61B 2010/045; A61B 17/3403; A61B
2017/3405; A61B 1/00154; A61B
2017/00469; A61B 2017/00473; A61B
17/0482; A61B 17/17; A61B
2017/320052; A61B 2017/90

See application file for complete search history.

FIG. 1 is a front, perspective view of a positioning guide cuff in accordance with the present design;
FIG. 2 is rear, perspective view of the positioning guide cuff of FIG. 1;
FIG. 3 is a right, side view of the positioning guide cuff of FIG. 1;
FIG. 4 is a front view of the positioning guide cuff of FIG. 1;
FIG. 5 is a left, side view of the positioning guide cuff of FIG. 1;
FIG. 6 is a rear view of the positioning guide cuff of FIG. 1;
FIG. 7 is a bottom view of the positioning guide cuff of FIG. 1;
FIG. 8 is a top view the positioning guide cuff of FIG. 1; and,
FIG. 9 is a perspective view of the positioning guide cuff of FIG. 1, shown in environment.
The broken lines are directed to environment and are for illustrative purposes only; the broken lines form no part of the claimed design.

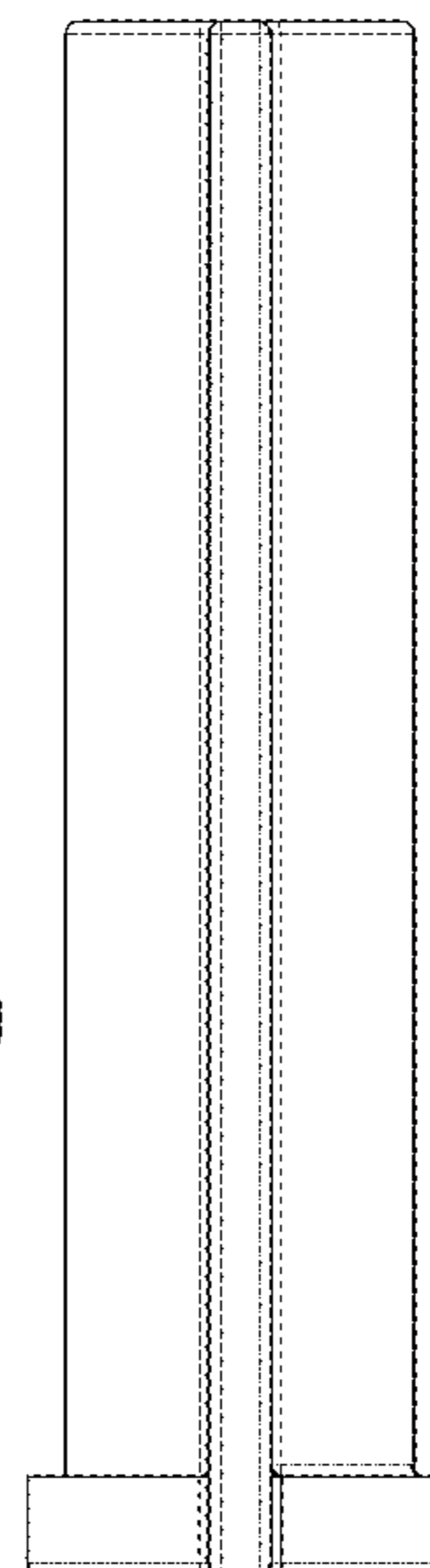
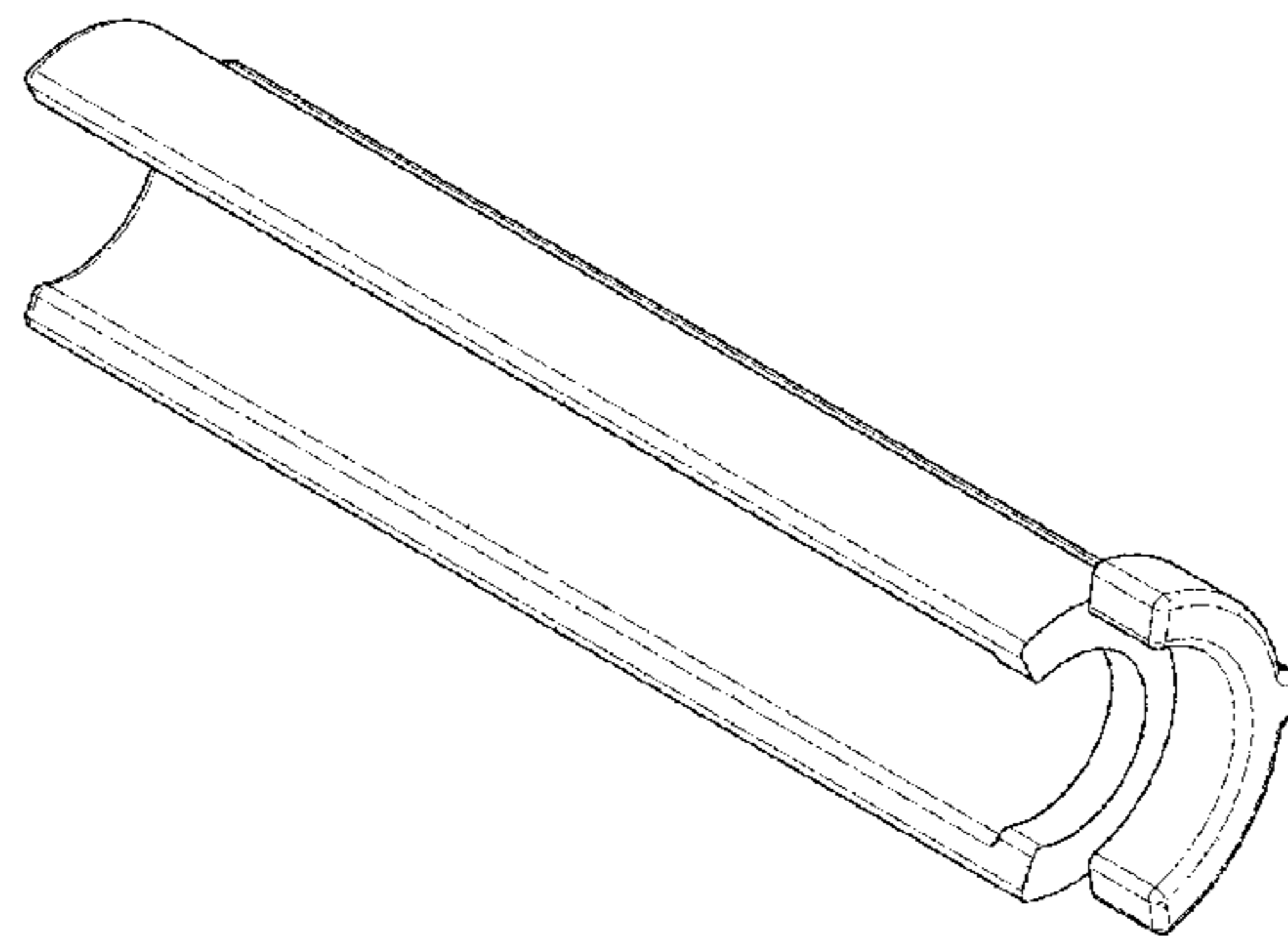
(56) **References Cited**

U.S. PATENT DOCUMENTS

3,596,528 A	8/1971	Dittrich et al.	
3,866,510 A	2/1975	Eibes et al.	
4,350,491 A	9/1982	Steuer	
D282,204 S *	1/1986	Holt	D24/135
4,730,726 A	3/1988	Holzwarth	
4,884,572 A	12/1989	Bays et al.	
5,085,661 A	2/1992	Moss	
5,144,942 A	9/1992	Decarie et al.	
5,156,267 A	10/1992	Yates, Jr. et al.	

(Continued)

1 Claim, 5 Drawing Sheets



(56)

References Cited

U.S. PATENT DOCUMENTS

5,171,247 A	12/1992	Hughett et al.	6,074,395 A	6/2000	Trott et al.
5,171,249 A	12/1992	Stefanchik et al.	6,099,537 A	8/2000	Sugai et al.
5,176,306 A	1/1993	Heimerl et al.	6,126,670 A	10/2000	Walker et al.
5,207,697 A	5/1993	Carusillo et al.	6,132,435 A	10/2000	Young
5,228,256 A	7/1993	Dreveny	6,146,387 A	11/2000	Trott et al.
5,236,563 A	8/1993	Loh	6,183,479 B1	2/2001	Tormala et al.
5,246,441 A	9/1993	Ross et al.	6,228,098 B1	5/2001	Kayan et al.
5,246,450 A	9/1993	Thornton et al.	6,235,058 B1	5/2001	Huene
5,312,023 A	5/1994	Green et al.	6,241,736 B1	6/2001	Sater et al.
5,330,487 A	7/1994	Thornton et al.	6,261,302 B1	7/2001	Voegelé et al.
5,344,061 A	9/1994	Crainich	6,296,656 B1	10/2001	Bolduc et al.
5,353,929 A	10/1994	Foster	6,330,964 B1	12/2001	Kayan et al.
5,356,064 A	10/1994	Green et al.	6,387,113 B1	5/2002	Hawkins et al.
5,381,896 A	1/1995	Simons	6,402,757 B1	6/2002	Moore, III et al.
5,382,254 A	1/1995	McGarry et al.	6,402,780 B2	6/2002	Williamson, IV et al.
5,398,861 A	3/1995	Green	6,425,900 B1	7/2002	Knodel et al.
5,403,327 A	4/1995	Thornton et al.	6,439,446 B1	8/2002	Perry et al.
5,407,070 A	4/1995	Bascos et al.	6,440,136 B1	8/2002	Gambale et al.
5,433,721 A	7/1995	Hooven et al.	6,450,391 B1	9/2002	Kayan et al.
5,439,468 A	8/1995	Schulze et al.	6,457,625 B1	10/2002	Tormala et al.
5,466,243 A	11/1995	Schmieding et al.	6,551,333 B2	4/2003	Kuhns et al.
5,467,911 A	11/1995	Tsuruta et al.	6,562,051 B1	5/2003	Bolduc et al.
5,474,566 A	12/1995	Alesi et al.	6,572,626 B1	6/2003	Knodel et al.
5,474,567 A	12/1995	Stefanchik et al.	6,589,249 B2	7/2003	Sater et al.
5,522,844 A	6/1996	Johnson	6,592,593 B1	7/2003	Parodi et al.
5,527,319 A	6/1996	Green et al.	6,626,916 B1	9/2003	Yeung et al.
5,553,765 A	9/1996	Knodel et al.	6,632,228 B2	10/2003	Fortier et al.
5,562,685 A	10/1996	Mollenauer et al.	6,652,538 B2	11/2003	Kayan et al.
5,564,615 A	10/1996	Bishop et al.	6,663,656 B2	12/2003	Schmieding et al.
5,582,615 A	12/1996	Foshee et al.	6,666,854 B1	12/2003	Lange
5,582,616 A	12/1996	Bolduc et al.	6,695,867 B2	2/2004	Ginn et al.
5,584,425 A	12/1996	Savage et al.	6,733,506 B1	5/2004	McDevitt et al.
5,588,581 A	12/1996	Conlon et al.	6,743,240 B2	6/2004	Smith et al.
5,601,571 A	2/1997	Moss	6,749,621 B2	6/2004	Pantages et al.
5,601,573 A	2/1997	Fogelberg et al.	6,755,836 B1	6/2004	Lewis
5,607,436 A	3/1997	Pratt et al.	6,773,438 B1	8/2004	Knodel et al.
5,626,613 A	5/1997	Schmieding	6,800,081 B2	10/2004	Parodi
5,628,752 A	5/1997	Asnis et al.	6,811,552 B2	11/2004	Weil, Sr. et al.
5,649,931 A	7/1997	Bryant et al.	6,824,548 B2	11/2004	Smith et al.
5,662,662 A	9/1997	Bishop et al.	6,837,893 B2	1/2005	Miller
5,681,330 A	10/1997	Hughett et al.	6,840,943 B2	1/2005	Kennefick et al.
5,683,401 A	11/1997	Schmieding et al.	6,843,794 B2	1/2005	Sixto, Jr. et al.
5,685,474 A	11/1997	Seeber	6,869,435 B2	3/2005	Blake, III
5,697,935 A	12/1997	Moran et al.	6,884,248 B2	4/2005	Bolduc et al.
5,704,534 A	1/1998	Huitema et al.	6,887,244 B1	5/2005	Walker et al.
5,709,692 A	1/1998	Mollenauer et al.	6,893,446 B2	5/2005	Sater et al.
5,728,116 A	3/1998	Rosenman	6,905,057 B2	6/2005	Swayze et al.
5,730,744 A	3/1998	Justin et al.	6,929,661 B2	8/2005	Bolduc et al.
5,732,806 A	3/1998	Foshee et al.	6,942,674 B2	9/2005	Belef et al.
5,735,854 A	4/1998	Caron et al.	6,945,979 B2	9/2005	Kortenbach et al.
5,741,268 A	4/1998	Schutz	6,960,217 B2	11/2005	Bolduc
5,762,255 A	6/1998	Chrisman et al.	6,966,919 B2	11/2005	Sixto, Jr. et al.
5,782,844 A	7/1998	Yoon et al.	6,988,650 B2	1/2006	Schwemberger et al.
D397,436 S *	8/1998	Michelson D24/133	7,000,819 B2	2/2006	Swayze et al.
5,792,165 A	8/1998	Klieman et al.	7,070,601 B2	7/2006	Culbert et al.
5,810,882 A	9/1998	Bolduc et al.	7,122,028 B2	10/2006	Looper et al.
5,824,008 A	10/1998	Bolduc et al.	7,128,754 B2	10/2006	Bolduc
5,830,221 A	11/1998	Stein et al.	7,147,657 B2	12/2006	Chiang et al.
5,843,087 A	12/1998	Jensen et al.	7,204,847 B1	4/2007	Gambale
5,897,564 A	4/1999	Schulze et al.	7,261,716 B2	8/2007	Strobel et al.
5,904,693 A	5/1999	Dicesare et al.	7,357,287 B2	4/2008	Shelton, IV et al.
5,910,105 A	6/1999	Swain et al.	7,380,696 B2	6/2008	Shelton, IV et al.
5,911,722 A	6/1999	Adler et al.	7,404,508 B2	7/2008	Smith et al.
5,928,244 A	7/1999	Tovey et al.	7,410,086 B2	8/2008	Ortiz et al.
5,928,252 A	7/1999	Steadman et al.	7,434,717 B2	10/2008	Shelton, IV et al.
5,931,844 A	8/1999	Thompson et al.	7,461,574 B2	12/2008	Lewis et al.
5,941,439 A	8/1999	Kammerer et al.	7,491,232 B2	2/2009	Bolduc et al.
5,954,259 A	9/1999	Viola et al.	D591,438 S *	4/2009	Hama D24/133
5,961,524 A	10/1999	Crombie	7,544,198 B2	6/2009	Parodi
5,964,772 A	10/1999	Bolduc et al.	7,591,842 B2	9/2009	Parodi
5,976,160 A	11/1999	Crainich	7,611,521 B2	11/2009	Lubbers et al.
5,997,552 A	12/1999	Person et al.	7,637,905 B2	12/2009	Saadat et al.
6,010,513 A	1/2000	Tormala et al.	7,637,932 B2	12/2009	Bolduc et al.
6,013,991 A	1/2000	Philipp	7,670,362 B2	3/2010	Zergiebel
6,039,753 A	3/2000	Meislin	7,740,159 B2	6/2010	Shelton, IV et al.
			7,758,612 B2	7/2010	Shipp
			D625,805 S *	10/2010	Hereford D24/140
			7,811,312 B2	10/2010	Stevens et al.
			7,819,884 B2	10/2010	Lee et al.

(56)

References Cited

U.S. PATENT DOCUMENTS

7,823,267 B2 11/2010 Bolduc
 7,828,838 B2 11/2010 Bolduc et al.
 7,862,573 B2 1/2011 Darois et al.
 7,867,252 B2 1/2011 Criscuolo et al.
 7,905,890 B2 3/2011 Whitfield et al.
 7,913,892 B2 3/2011 Cole et al.
 7,922,061 B2 4/2011 Shelton, IV et al.
 7,922,063 B2 4/2011 Zemlok et al.
 7,931,660 B2 4/2011 Aranyi et al.
 7,959,663 B2 6/2011 Bolduc
 7,959,670 B2 6/2011 Bolduc
 8,002,811 B2 8/2011 Corradi et al.
 8,006,365 B2 8/2011 Levin et al.
 8,034,076 B2 10/2011 Criscuolo et al.
 8,062,306 B2 11/2011 Nobis et al.
 8,075,570 B2 12/2011 Bolduc et al.
 8,083,752 B2 12/2011 Bolduc
 8,087,142 B2 1/2012 Levin et al.
 8,092,519 B2 1/2012 Bolduc
 8,114,099 B2 2/2012 Shipp
 8,114,101 B2 2/2012 Criscuolo et al.
 8,152,820 B2 4/2012 Mohamed et al.
 8,181,840 B2 5/2012 Milliman
 8,216,254 B2 7/2012 McLean et al.
 8,216,272 B2 7/2012 Shipp
 8,231,639 B2 7/2012 Bolduc et al.
 8,282,670 B2 10/2012 Shipp
 8,292,933 B2 10/2012 Zergiebel
 8,323,314 B2 12/2012 Blier
 8,328,823 B2 12/2012 Aranyi et al.
 8,333,776 B2 12/2012 Cheng et al.
 8,343,176 B2 1/2013 Criscuolo et al.
 8,343,184 B2 1/2013 Blier
 8,377,044 B2 2/2013 Coe et al.
 8,382,773 B2 2/2013 Whitfield et al.
 8,382,778 B2 2/2013 Criscuolo et al.
 8,414,627 B2 4/2013 Corradi et al.
 8,424,740 B2 4/2013 Shelton, IV et al.
 D685,087 S * 6/2013 Voic D24/133
 8,465,520 B2 6/2013 Blier
 8,474,679 B2 7/2013 Felix
 8,579,919 B2 11/2013 Bolduc et al.
 8,579,920 B2 11/2013 Nering et al.
 8,597,311 B2 12/2013 Criscuolo et al.
 8,603,135 B2 12/2013 Mueller
 8,613,729 B2 12/2013 Sage et al.
 8,672,209 B2 3/2014 Crainich
 8,684,247 B2 4/2014 Scirica et al.
 8,685,044 B2 4/2014 Bolduc et al.
 8,690,889 B2 4/2014 Colesanti et al.
 8,690,897 B2 4/2014 Bolduc
 D704,334 S * 5/2014 Walthall, Jr. D24/140
 8,728,098 B2 5/2014 Daniel et al.
 8,728,099 B2 5/2014 Cohn et al.
 8,728,102 B2 5/2014 Criscuolo et al.
 8,728,120 B2 5/2014 Blier
 8,777,969 B2 7/2014 Kayan
 8,821,514 B2 9/2014 Aranyi
 8,821,522 B2 9/2014 Criscuolo et al.
 8,821,557 B2 9/2014 Corradi et al.
 8,852,215 B2 10/2014 Criscuolo et al.
 8,894,669 B2 11/2014 Nering et al.
 8,920,439 B2 12/2014 Cardinale et al.
 D721,806 S * 1/2015 Higgins D24/140
 8,926,637 B2 1/2015 Zergiebel
 9,017,345 B2 4/2015 Taylor et al.
 9,023,065 B2 5/2015 Bolduc et al.
 9,028,495 B2 5/2015 Mueller et al.
 9,186,138 B2 11/2015 Corradi et al.
 D748,256 S * 1/2016 Wagner D24/140
 D749,728 S * 2/2016 Brannon D24/140
 9,259,221 B2 2/2016 Zergiebel
 9,282,961 B2 3/2016 Whitman et al.
 D755,375 S * 5/2016 Stammberger D24/135
 9,332,983 B2 5/2016 Shipp

9,345,462 B2 5/2016 Weitzner et al.
 9,351,728 B2 5/2016 Sniffin et al.
 9,351,733 B2 5/2016 Fischvogt
 9,358,004 B2 6/2016 Sniffin et al.
 9,358,010 B2 6/2016 Wenchell et al.
 9,364,231 B2 6/2016 Wenchell
 9,364,274 B2 6/2016 Zergiebel
 9,386,983 B2 7/2016 Swensgard et al.
 9,402,623 B2 8/2016 Kayan
 9,445,814 B2 9/2016 Ranucci et al.
 9,486,218 B2 11/2016 Criscuolo et al.
 9,526,498 B2 12/2016 Reed
 9,615,830 B2 4/2017 Ranucci et al.
 9,655,621 B2 5/2017 Abuzaina et al.
 9,662,106 B2 5/2017 Corradi et al.
 9,668,730 B2 6/2017 Sniffin et al.
 D794,190 S * 8/2017 Russell D24/140
 9,783,329 B2 10/2017 Sniffin et al.
 9,788,833 B2 10/2017 Zergiebel et al.
 D919,087 S * 5/2021 Schifano D24/135
 D924,397 S * 7/2021 Lalli D24/135
 2003/0009441 A1 1/2003 Holsten et al.
 2004/0092937 A1 5/2004 Criscuolo et al.
 2005/0222665 A1 10/2005 Aranyi
 2006/0129152 A1 6/2006 Shipp
 2007/0038220 A1 2/2007 Shipp
 2007/0088390 A1 4/2007 Paz et al.
 2007/0106317 A1 5/2007 Shelton et al.
 2007/0162030 A1 7/2007 Aranyi et al.
 2008/0097523 A1 4/2008 Bolduc et al.
 2008/0312687 A1 12/2008 Blier
 2009/0112234 A1 4/2009 Crainich et al.
 2009/0118776 A1 5/2009 Kelsch et al.
 2010/0270354 A1 10/2010 Rimer et al.
 2011/0022065 A1 1/2011 Shipp
 2011/0295282 A1 12/2011 Glick et al.
 2012/0059397 A1 3/2012 Criscuolo et al.
 2012/0109157 A1 5/2012 Criscuolo et al.
 2014/0005678 A1 1/2014 Shelton, IV et al.
 2014/0014707 A1 1/2014 Onukuri et al.
 2014/0200587 A1 7/2014 Pompee et al.
 2014/0236196 A1 8/2014 Colesanti et al.
 2014/0243855 A1 8/2014 Sholev et al.
 2014/0276967 A1 9/2014 Fischvogt et al.
 2015/0005748 A1 1/2015 Sniffin et al.
 2015/0032130 A1 1/2015 Russo
 2015/0133970 A1 5/2015 Ranucci et al.
 2015/0150558 A1 6/2015 Zergiebel
 2015/0327859 A1 11/2015 Bolduc
 2016/0007991 A1 1/2016 Bolduc
 2016/0007996 A1 1/2016 Bolduc
 2016/0074034 A1 3/2016 Shipp
 2016/0166255 A1 6/2016 Fischvogt
 2016/0249912 A1 9/2016 Fischvogt
 2016/0270778 A1 9/2016 Zergiebel
 2016/0270835 A1 9/2016 Reed
 2016/0278766 A1 9/2016 Wenchell et al.
 2016/0338694 A1 11/2016 Kayan
 2016/0345967 A1 12/2016 Sniffin et al.
 2021/0186509 A1 * 6/2021 Adinolfi A61N 1/37518

FOREIGN PATENT DOCUMENTS

EP 0374088 A1 6/1990
 EP 1721575 A2 11/2006
 EP 2528518 A2 12/2012
 EP 2762091 A2 8/2014
 JP 09149906 6/1997
 WO 2009073754 A2 6/2009
 WO 2011145091 A1 11/2011
 WO 2013046115 A1 4/2013
 WO 2016141183 A1 9/2016
 WO 2018071409 A1 4/2018

OTHER PUBLICATIONS

Extended European Search Report corresponding to EP 14 17 8107.0, completed Nov. 24, 2014 and dated Dec. 3, 2014; (5 pp).

(56)

References Cited

OTHER PUBLICATIONS

Extended European Search Report corresponding to EP 14 17 4656.0, completed Jan. 16, 2015 and dated Jan. 26, 2015; (7 pp).
Extended European Search Report corresponding to EP 14 18 4907.5, completed Jan. 12, 2015 and dated Jan. 27, 2015; (9 pp).
European Search Report corresponding to EP 14 18 1900.3, completed Mar. 31, 2015 and dated Apr. 9, 2015; 7pp.
Extended European Search Report corresponding to EP 14 19 7885.8 dated Apr. 30, 2015.
Extended European Search Report corresponding to EP No. 11 25 0549.0, completed Sep. 9, 2013 and dated Sep. 17, 2013; 9 pages.
Extended European Search Report corresponding to EP 14 15 9394.7, completed Apr. 16, 2014 and dated Apr. 29, 2014; 8 pages.
European Search Report corresponding to EP 10 01 2659.8, completed Dec. 21, 2010; dated Jan. 3, 2011; 3 pages.
European Search Report corresponding to EP 10 01 2646.5, completed Feb. 11, 2011; dated Feb. 22, 2011.
Extended European Search Report corresponding to EP 14 15 1663.3 dated Jun. 7, 2016.
Supplementary European Search Report corresponding to EP 14 81 7036 dated Feb. 2, 2017.
European Search Report corresponding to EP 17 15 7259.7 dated May 10, 2017.
Extended European Search Report issued in corresponding European Application No. 18154121.0 dated Oct. 19, 2018.
Extended European Search Report issued in corresponding European Application No. 20215041.3 dated Apr. 23, 2021.

* cited by examiner

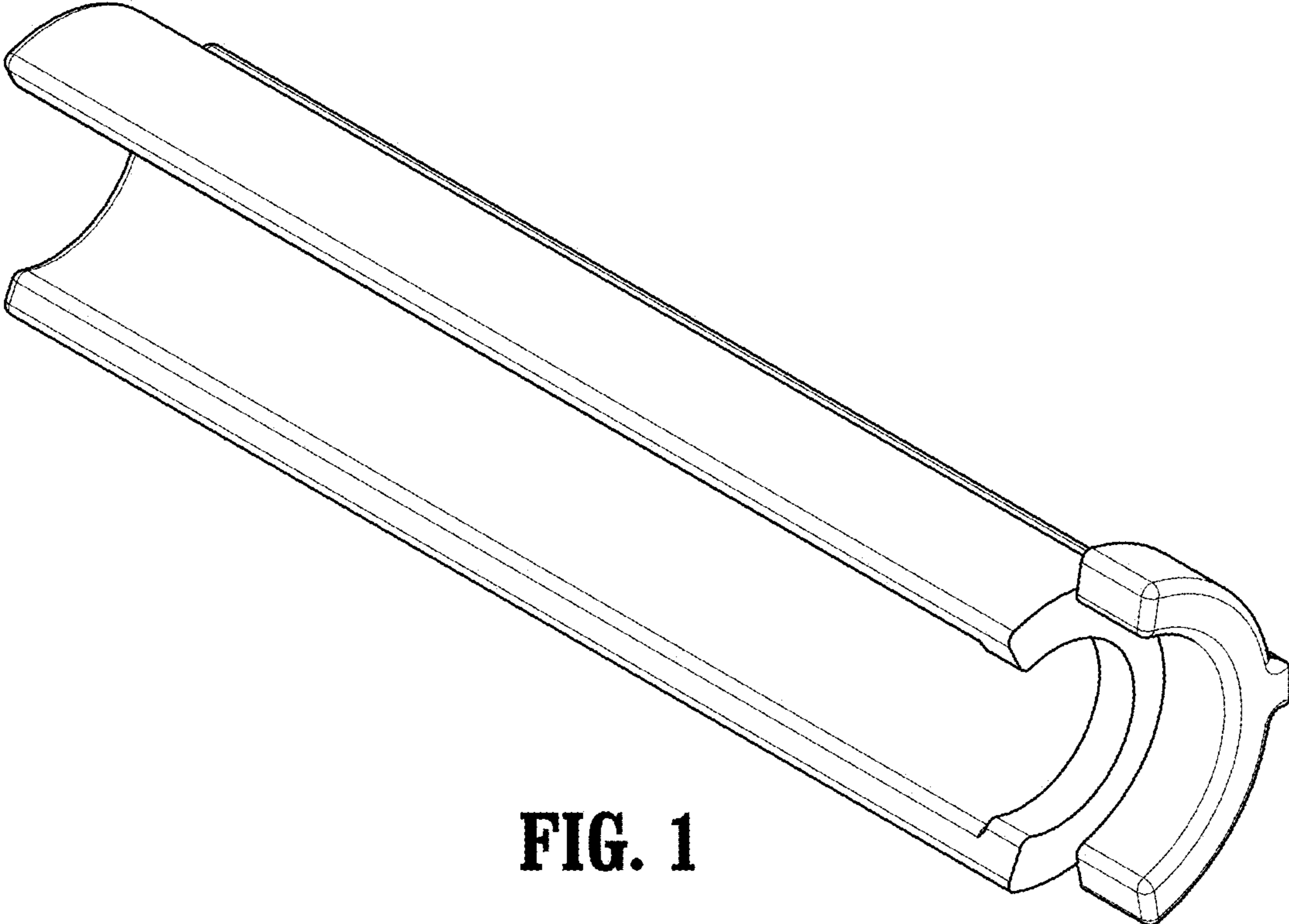


FIG. 1

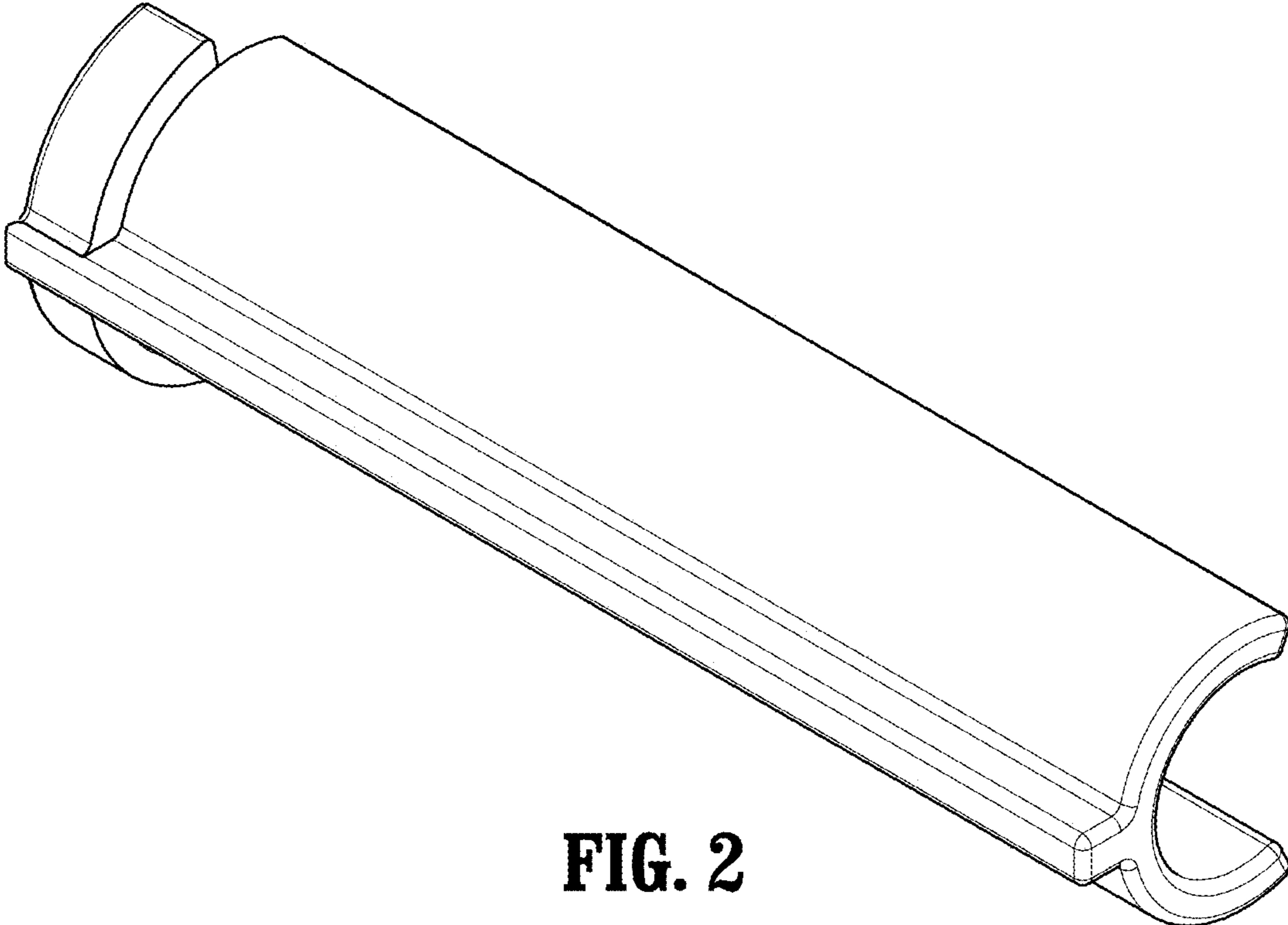


FIG. 2

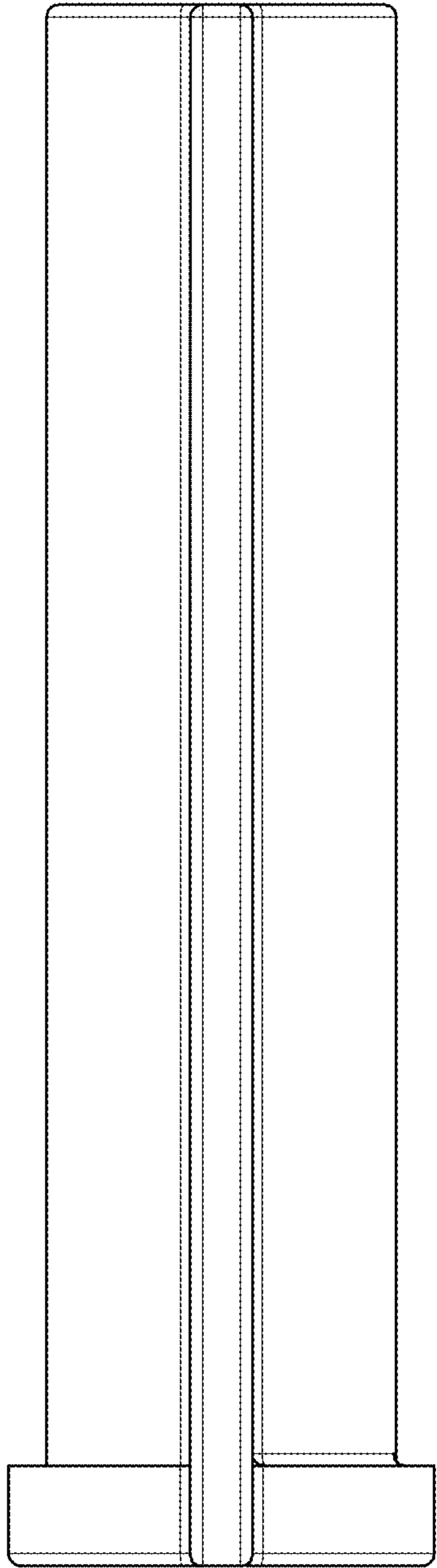


FIG. 3

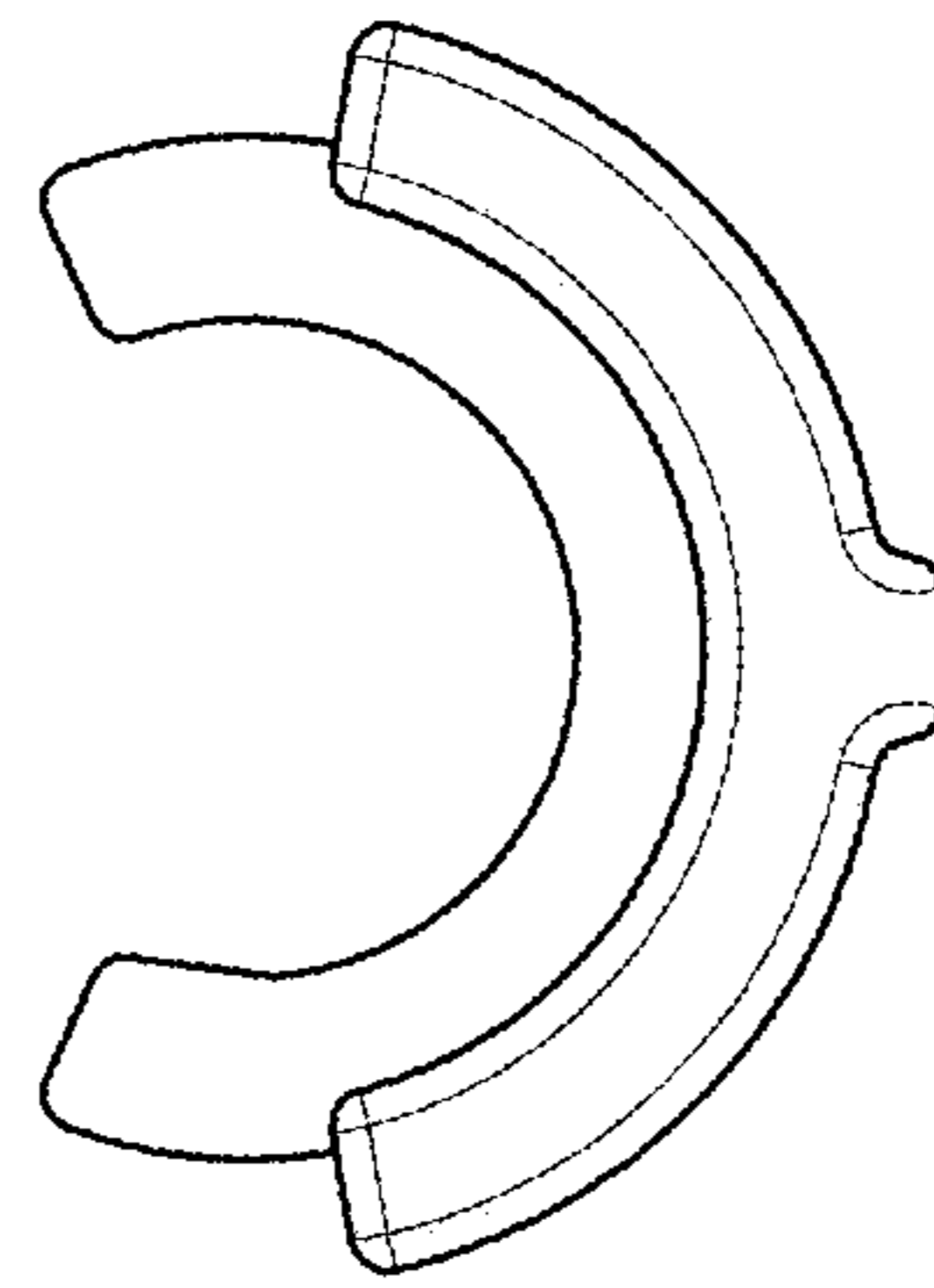


FIG. 4

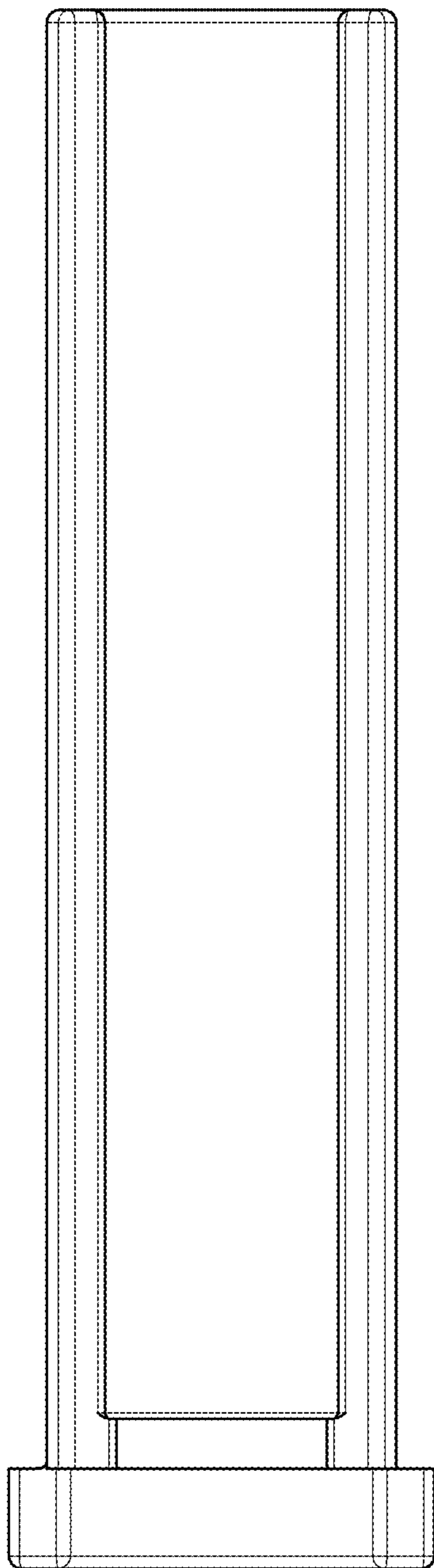


FIG. 5

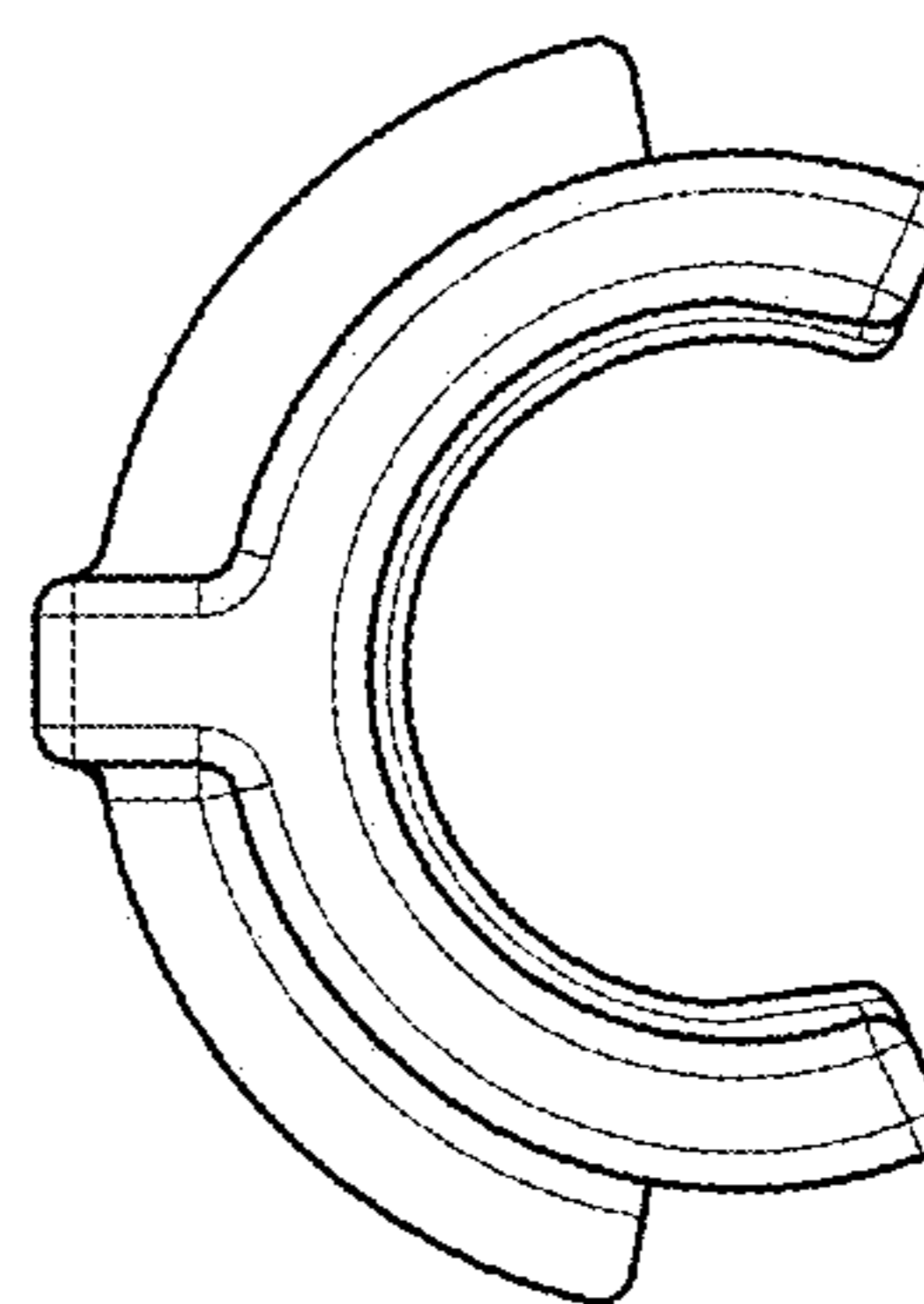


FIG. 6

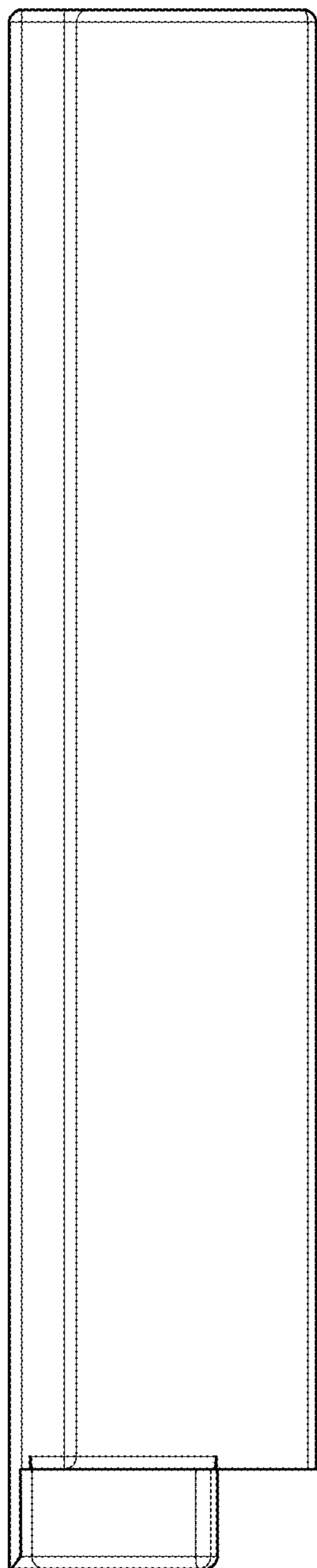


FIG. 7

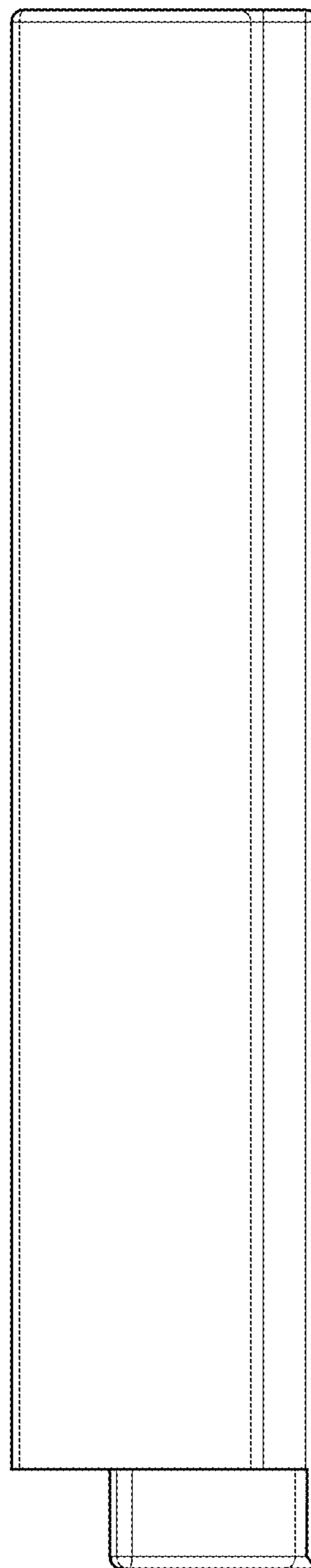


FIG. 8

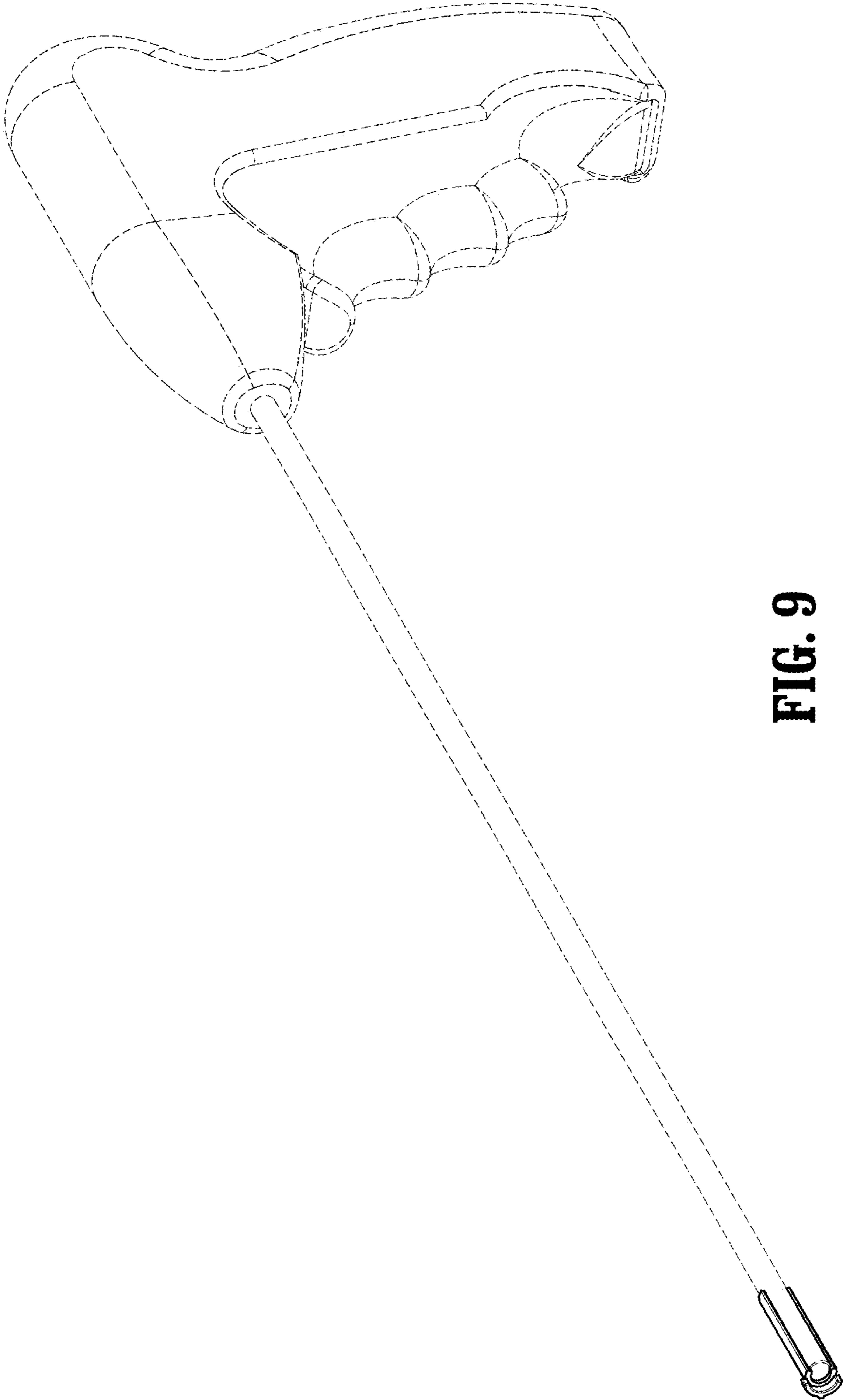


FIG. 9