



US00D944983S

(12) **United States Design Patent**
Lee et al.

(10) **Patent No.:** **US D944,983 S**
(45) **Date of Patent:** **** Mar. 1, 2022**

(54) **JIG FOR PROCESSING OF IMPLANT SURGICAL GUIDE**

D836,200 S * 12/2018 Parker D24/147
2021/0030378 A1* 2/2021 Heo A61B 34/25
2021/0086271 A1* 3/2021 Lee A61C 1/082

(71) Applicant: **IMSOL CORP.**, Gunpo (KR)

(72) Inventors: **Yun Ho Lee**, Hanam (KR); **Da Som Heo**, Hanam (KR); **Heui Jung Yang**, Seongnam (KR)

(73) Assignee: **IMSOL CORP.**, Gunpo (KR)

(**) Term: **15 Years**

(21) Appl. No.: **29/713,120**

(22) Filed: **Nov. 13, 2019**

(51) **LOC (13) Cl.** **24-02**

(52) **U.S. Cl.**
USPC **D24/140**

(58) **Field of Classification Search**
USPC D24/140, 133, 152, 176, 181, 155, 156, D24/180
CPC A61C 8/0001; A61C 8/009; A61C 9/0006; A61C 9/0053; A61C 9/0046; A61C 1/084; A61B 6/145; A61B 6/032; A61B 6/12; A61B 6/14; A61B 6/5247; A61B 2090/3966

See application file for complete search history.

(56) **References Cited**

U.S. PATENT DOCUMENTS

D462,767 S * 9/2002 Meyer A61F 2/76 D24/155
D462,768 S * 9/2002 Meyer D24/155
D462,769 S * 9/2002 Meyer D24/155
D620,594 S * 7/2010 Curtis D24/155
D642,263 S * 7/2011 Park D24/140
D679,394 S * 4/2013 Gleixner D24/133

FOREIGN PATENT DOCUMENTS

KR 301064293.0000 * 6/2020
KR 301064295.0000 * 6/2020
KR 301064296.0000 * 6/2020
KR 301064297.0000 * 6/2020
KR 301064298.0000 * 6/2020
KR 301064299.0000 * 6/2020
KR 301064302.0000 * 6/2020
KR 301064304.0000 * 6/2020
KR 301064307.0000 * 6/2020
KR 301064309.0000 * 6/2020

* cited by examiner

Primary Examiner — Bridget L Eland

(57) **CLAIM**

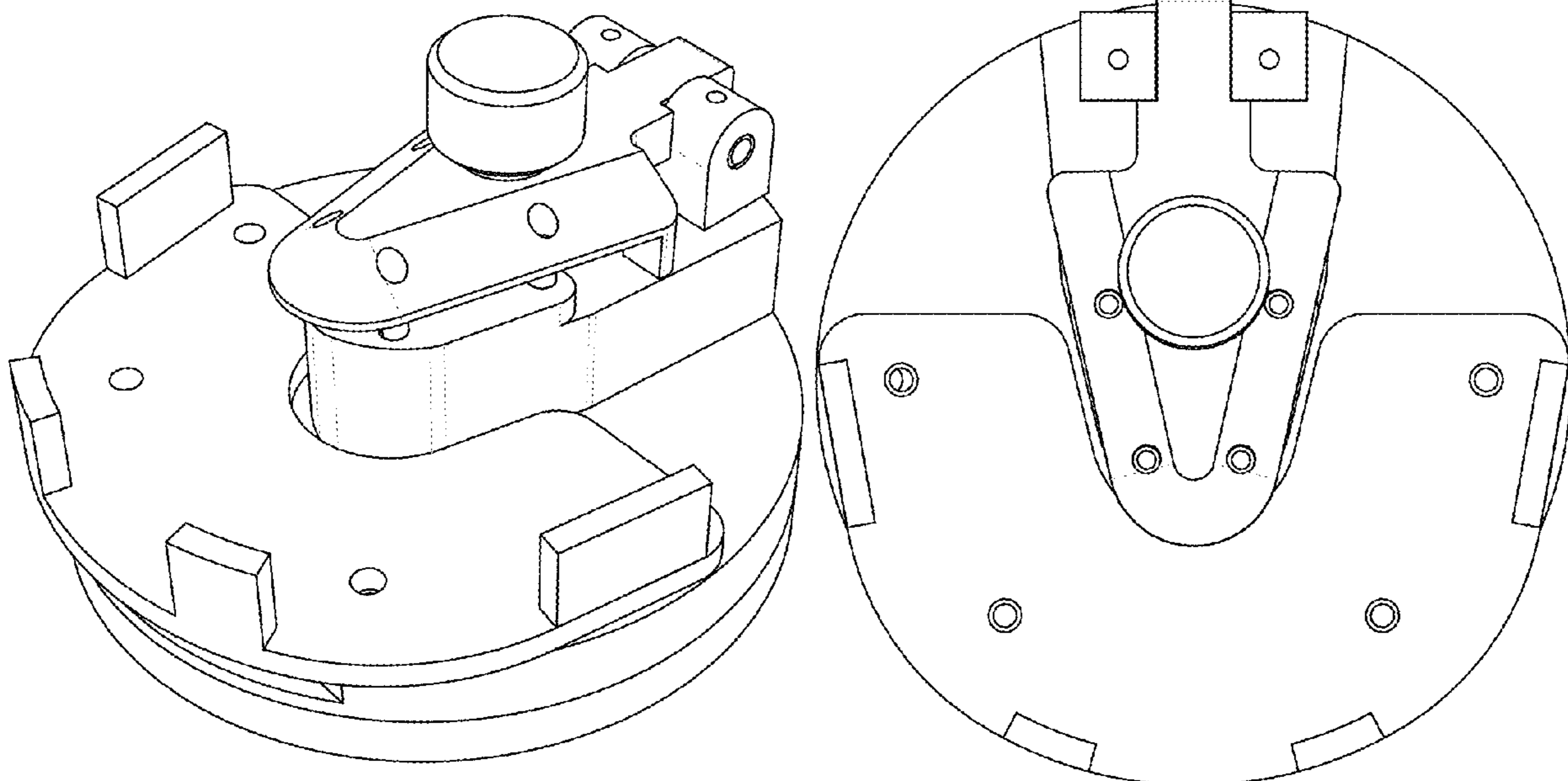
The ornamental design for a jig for processing of implant surgical guide, as shown and described.

DESCRIPTION

FIG. 1 is a perspective view of a jig for processing of implant surgical guide showing our new design; FIG. 2 is a front elevation view thereof; FIG. 3 is a rear elevation view thereof; FIG. 4 is a left-side elevation view thereof; FIG. 5 is a right-side elevation view thereof; FIG. 6 is a top plan view thereof; and, FIG. 7 is a bottom plan view thereof.

The broken lines in the drawings are for the purpose of illustrating portions of the jig for processing of implant surgical guide that form no part of the claimed design.

1 Claim, 5 Drawing Sheets



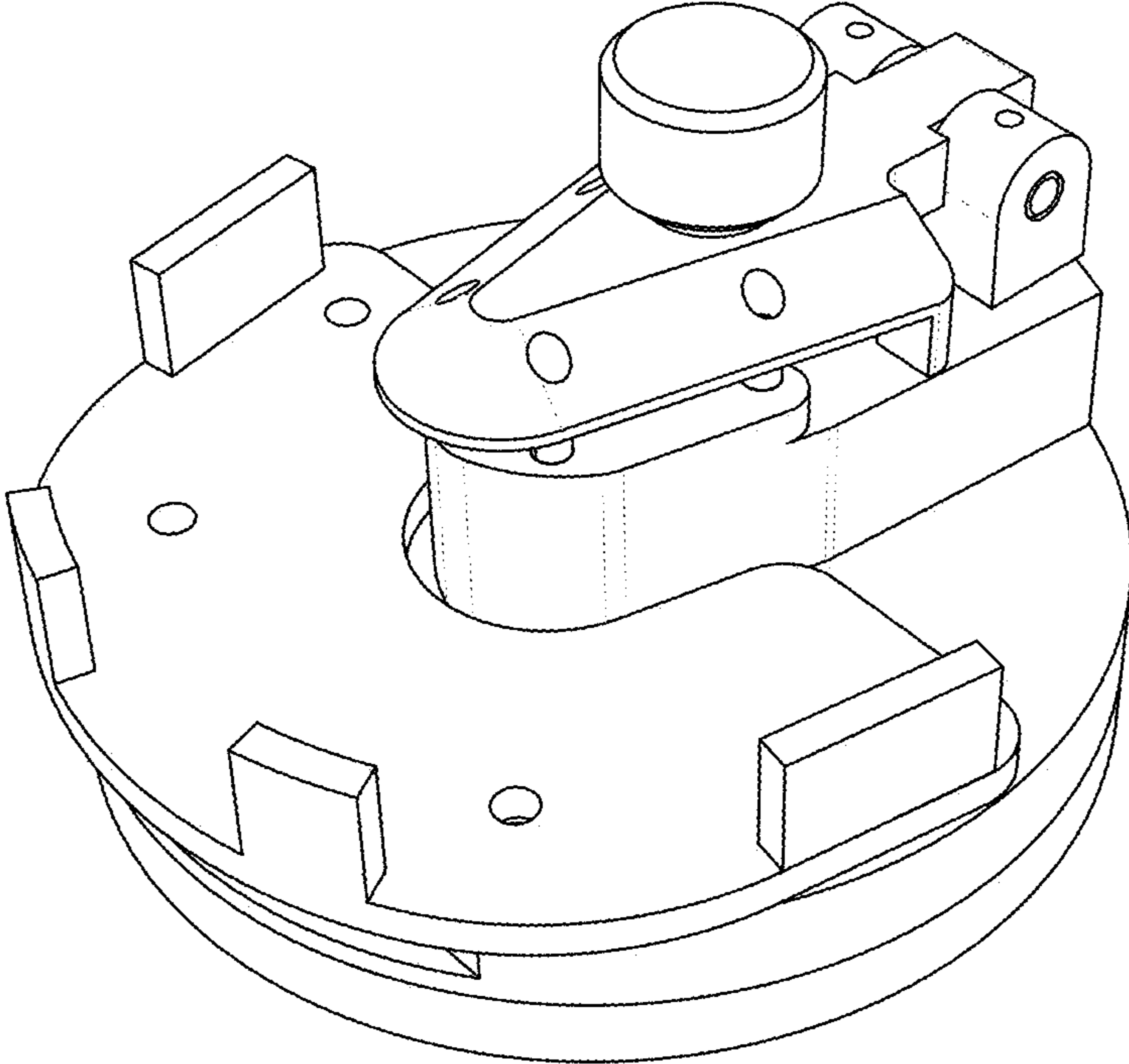


FIG. 1

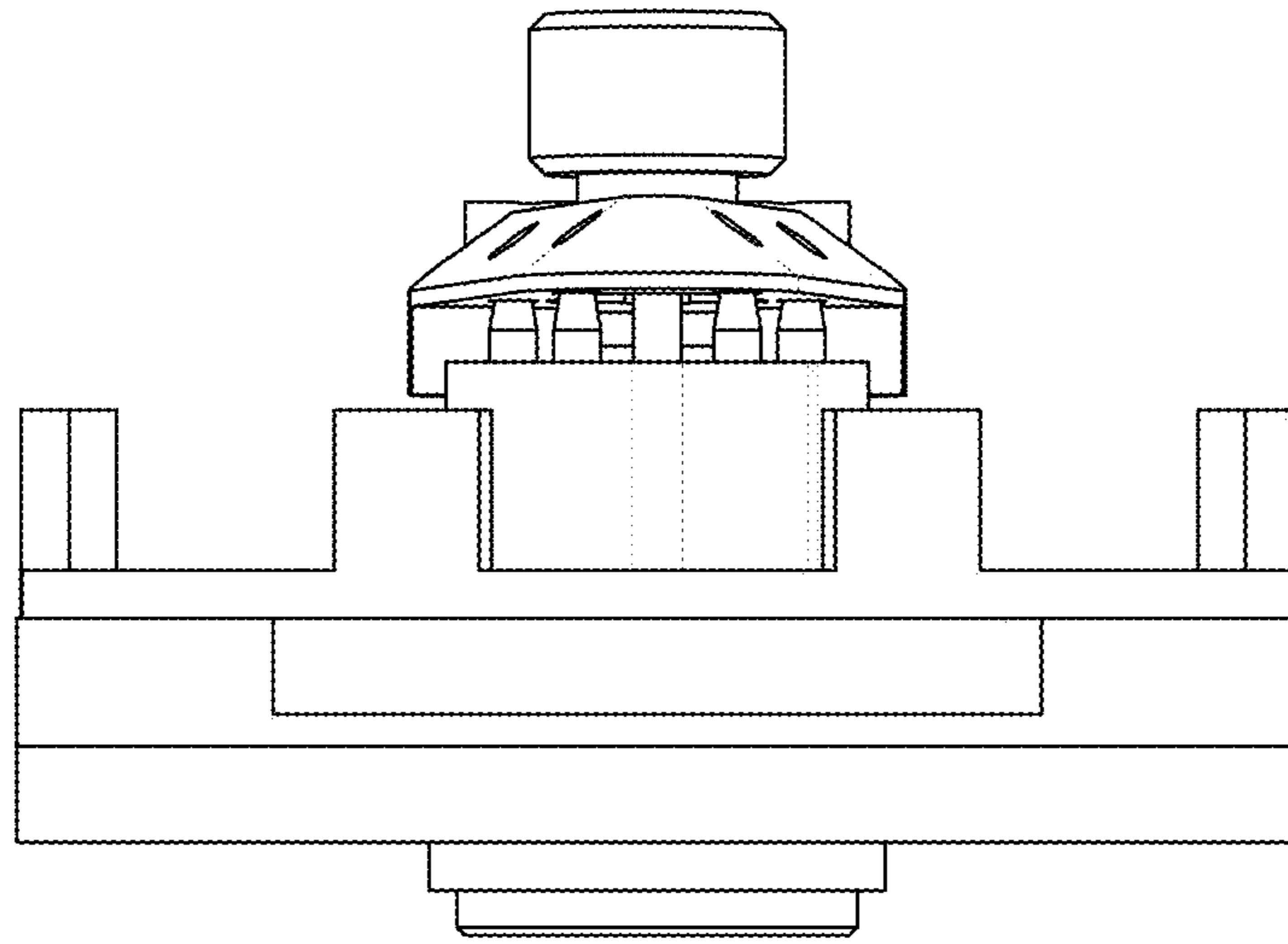


FIG. 2

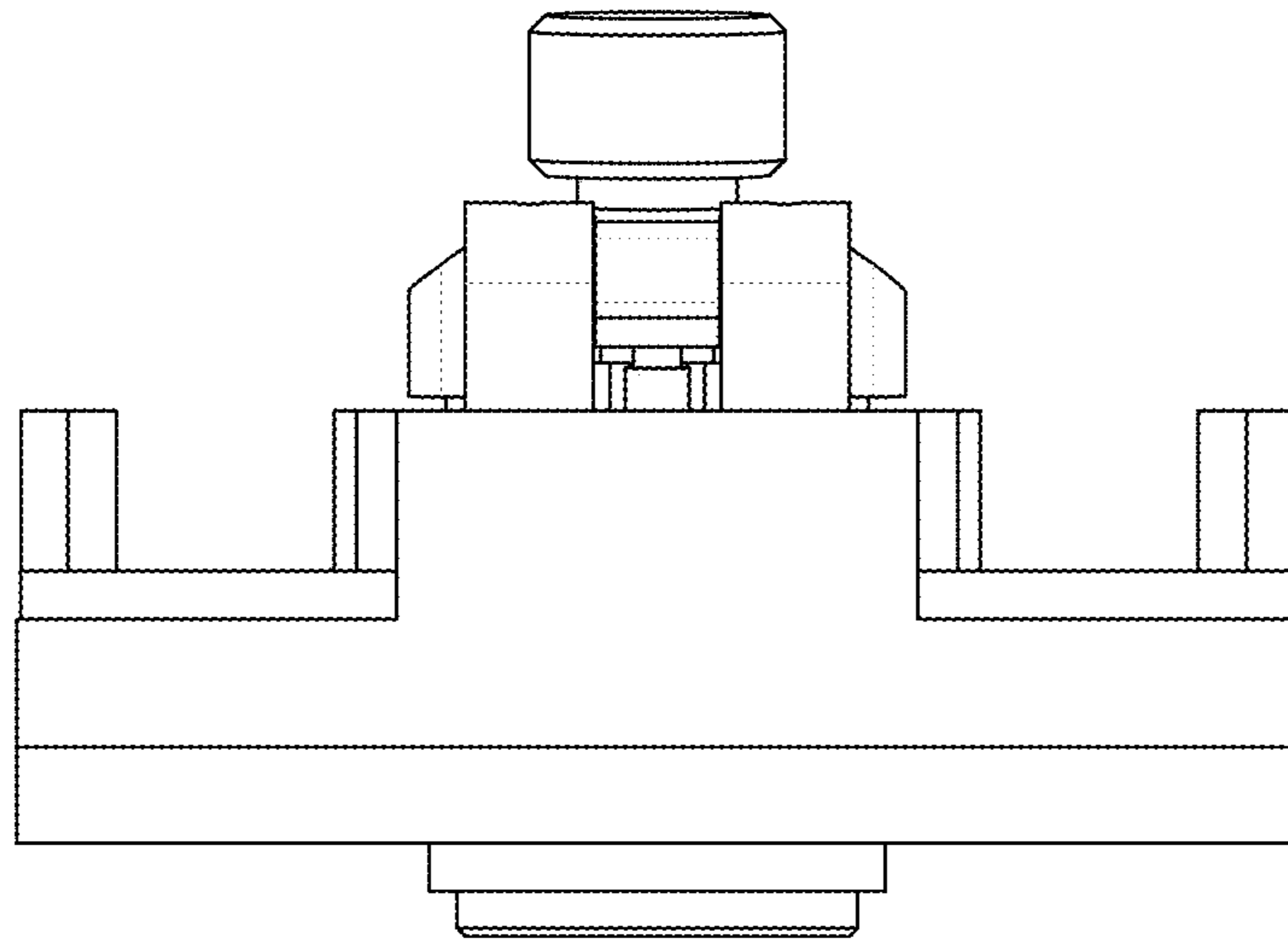


FIG. 3

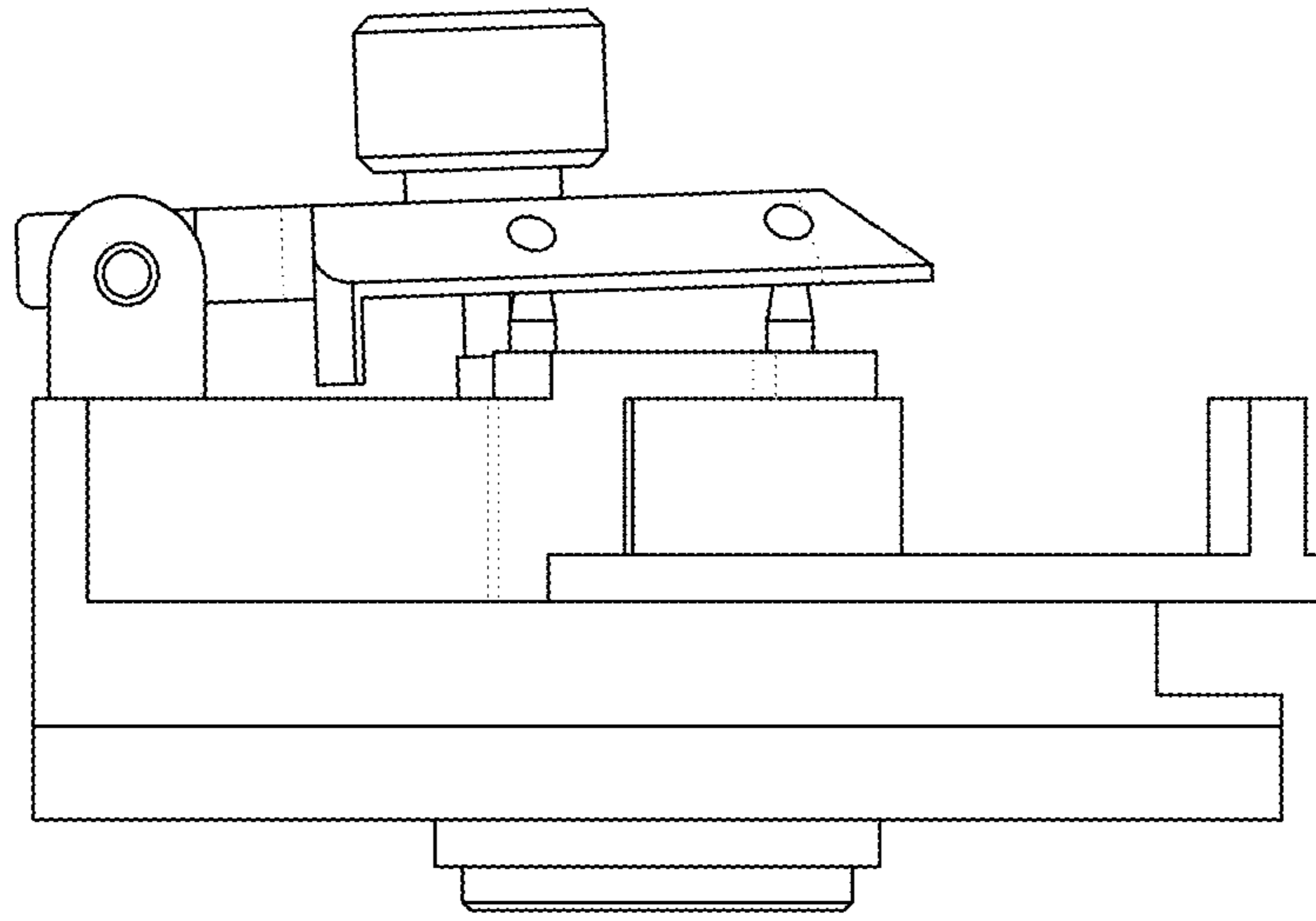


FIG. 4

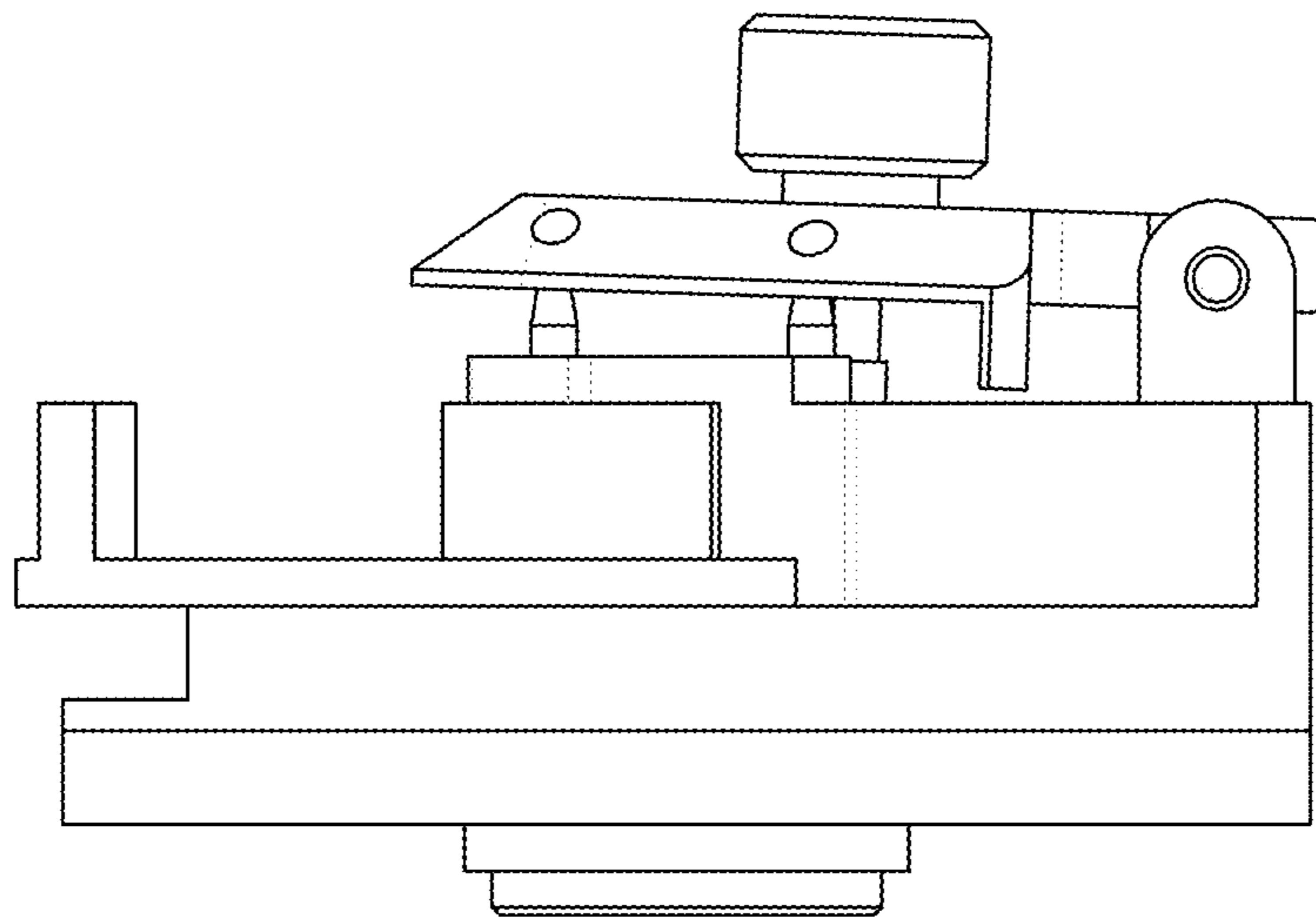


FIG. 5

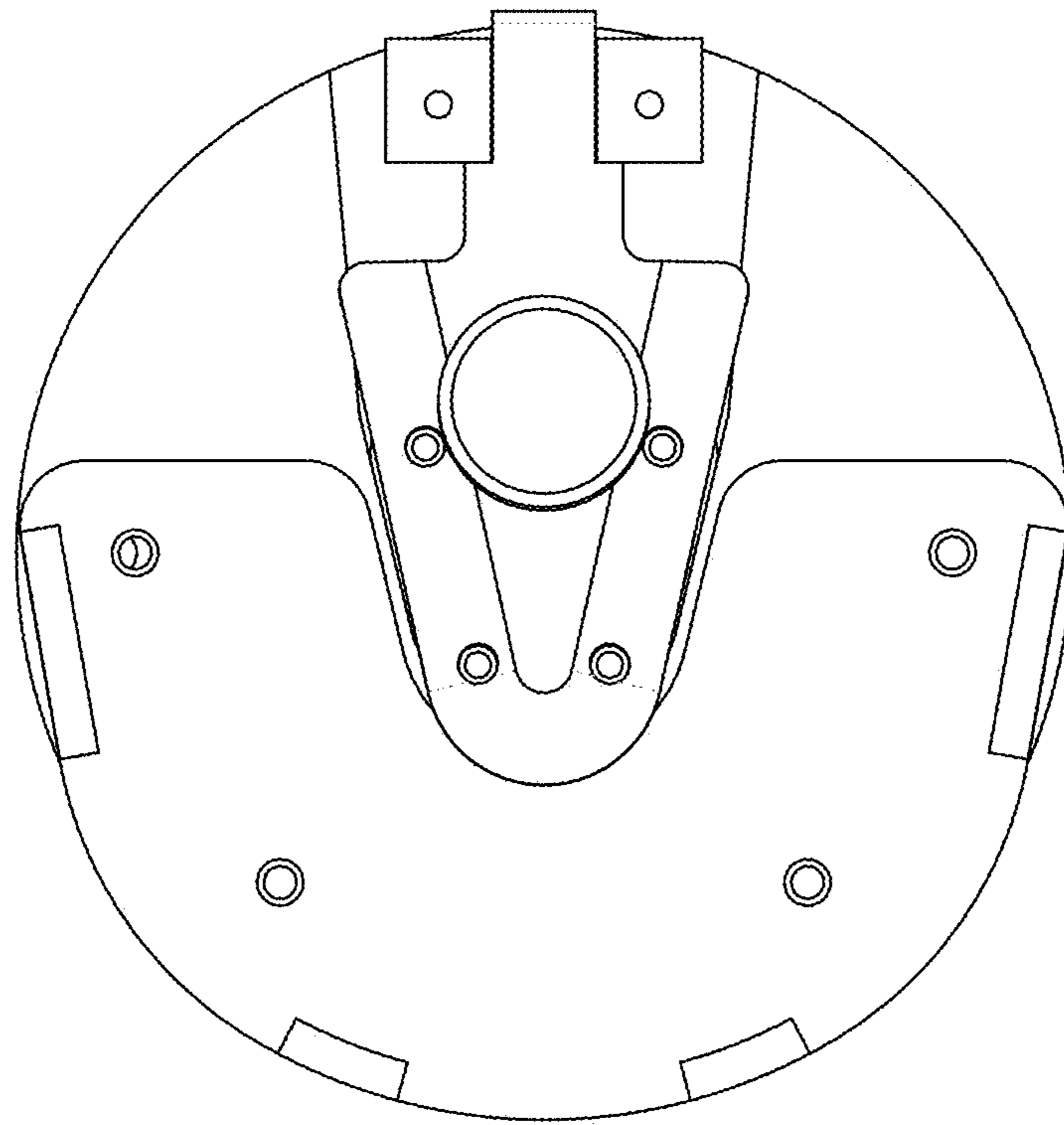


FIG. 6

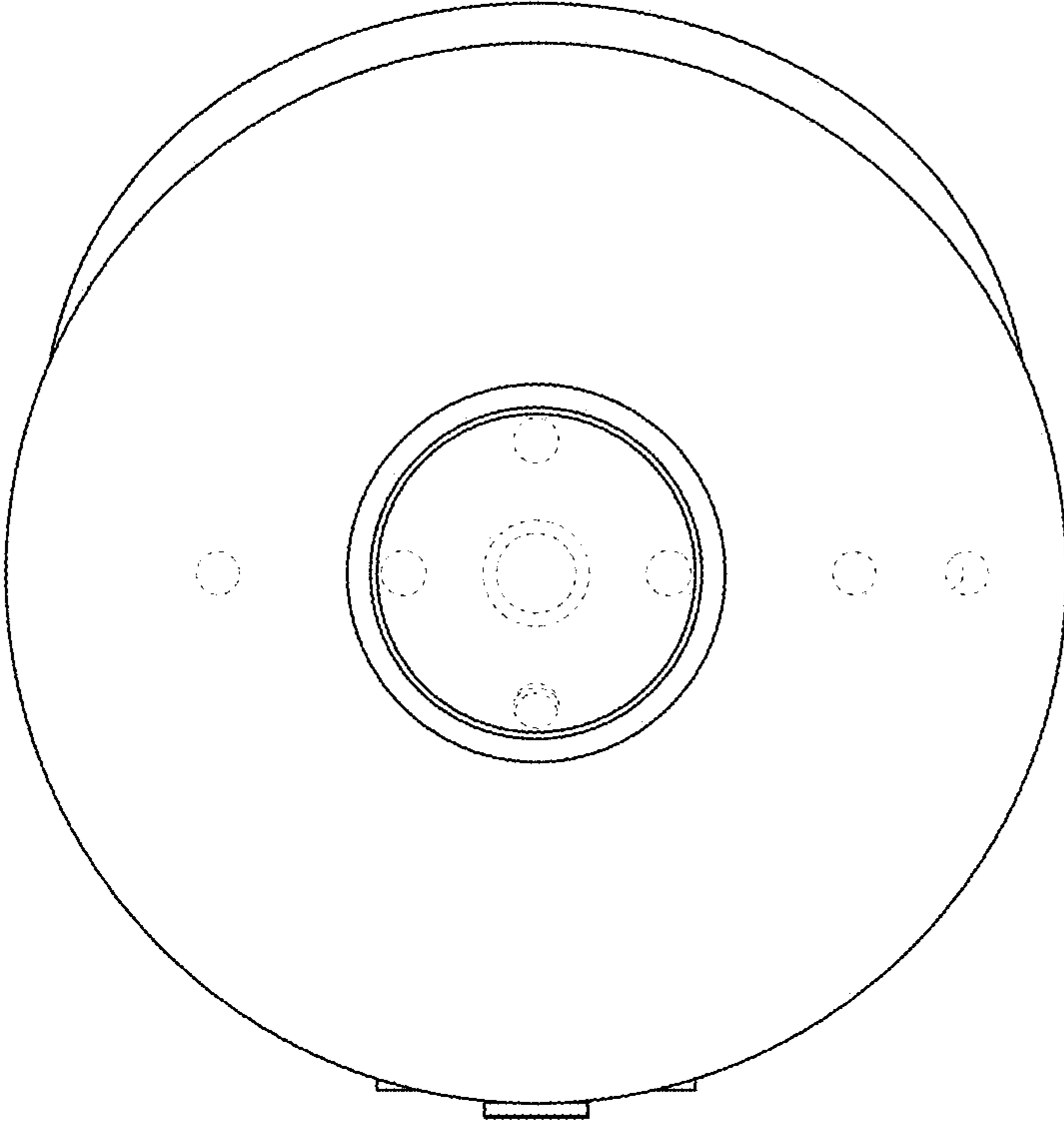


FIG. 7