



US00D944981S

(12) **United States Design Patent**
McKeown

(10) **Patent No.:** **US D944,981 S**
(45) **Date of Patent:** **** Mar. 1, 2022**

- (54) **NASAL DILATOR**
- (71) Applicant: **Sinead McKeown**, County Galway (IE)
- (72) Inventor: **Sinead McKeown**, County Galway (IE)
- (**) Term: **15 Years**
- (21) Appl. No.: **29/744,229**
- (22) Filed: **Jul. 28, 2020**
- (51) **LOC (13) Cl.** **24-02**
- (52) **U.S. Cl.**
USPC **D24/135**
- (58) **Field of Classification Search**
USPC D24/135, 133, 143
CPC . A61F 5/08; A61F 5/56; A61M 29/02; A61M
29/00; A62B 23/06
See application file for complete search history.

- 8,651,106 B1 * 2/2014 Morgan, Jr. A62B 23/06
128/206.11
- D713,031 S * 9/2014 McCormick D24/135
- D737,965 S * 9/2015 Bende D24/135
- D738,497 S * 9/2015 Jackson D24/135
- D819,205 S * 5/2018 Snyder D24/135
- D868,248 S * 11/2019 Snyder D24/135
- 2019/0054263 A1 * 2/2019 Aboff A61L 9/00

FOREIGN PATENT DOCUMENTS

- EM 008055941-0001 * 7/2020
- GB 9008055941-0001 * 7/2020

* cited by examiner

Primary Examiner — Bridget L Eland
(74) *Attorney, Agent, or Firm* — Rumit Ranjit Kanakia

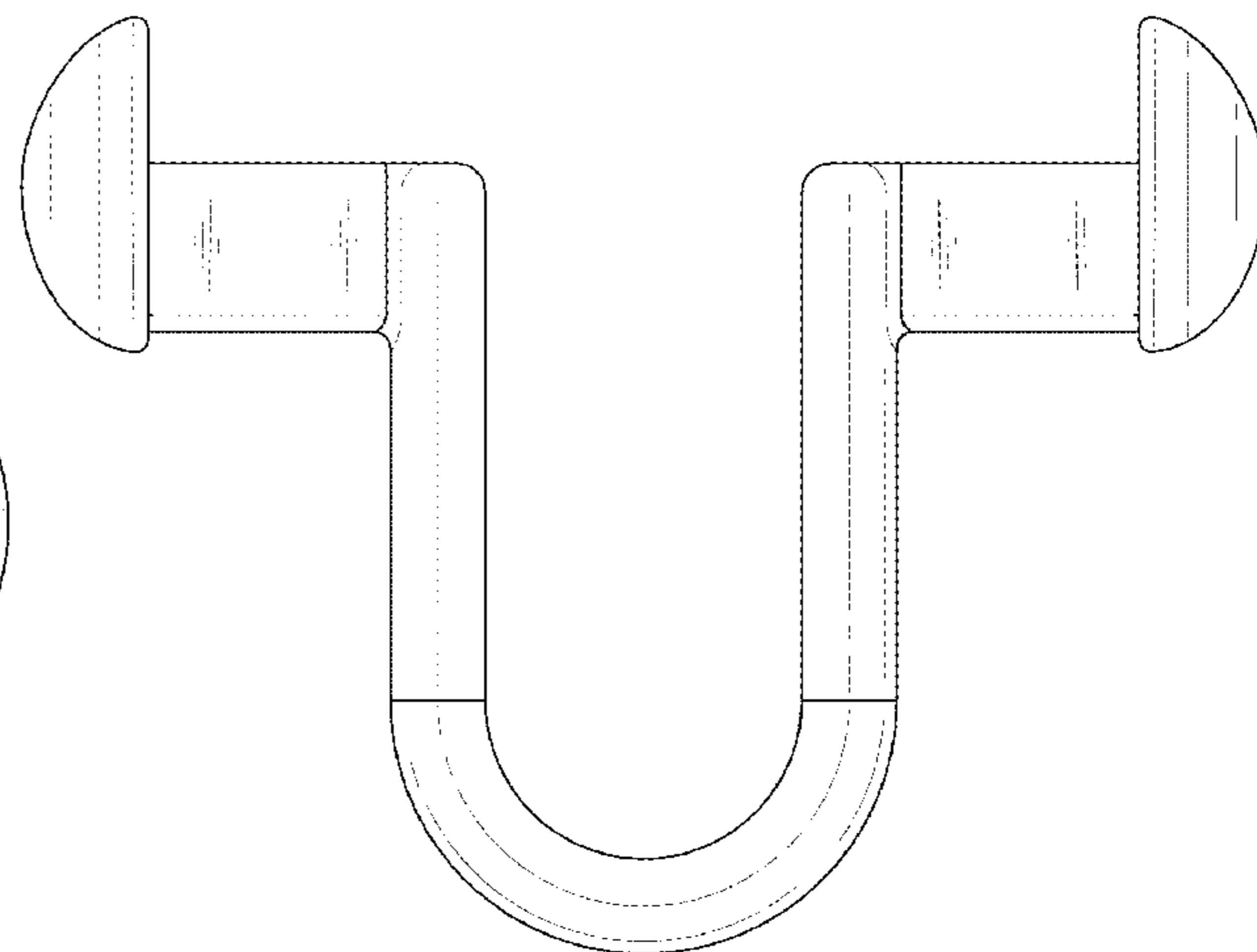
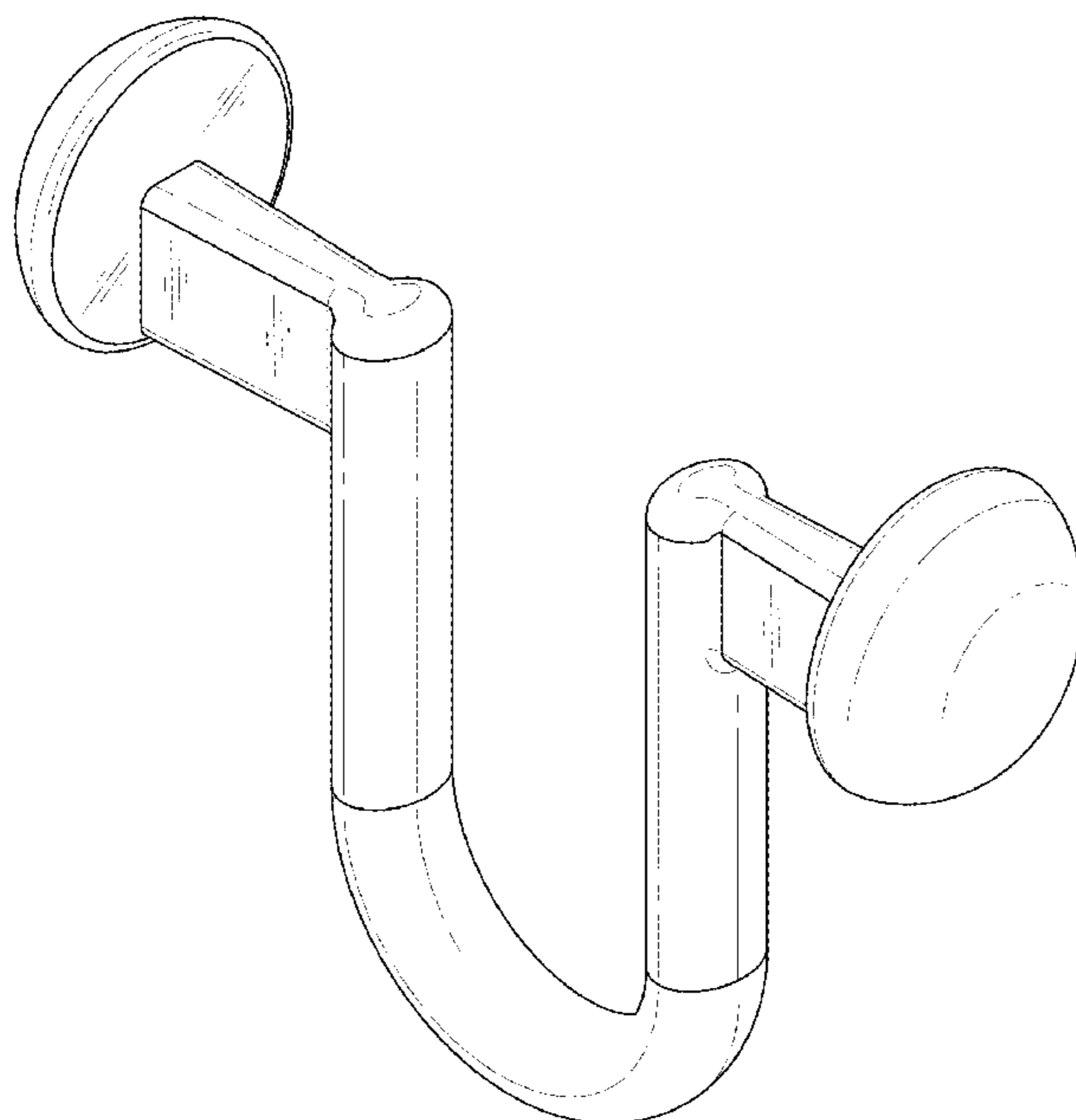
(57) **CLAIM**

I claim the ornamental design for a nasal dilator, as shown and described.

DESCRIPTION

FIG. 1 is a Perspective view of a nasal dilator showing my new design;
FIG. 2 is a Front view thereof;
FIG. 3 is a Back view thereof;
FIG. 4 is a Right-side view thereof;
FIG. 5 is a Left-side view thereof;
FIG. 6 is a Top view thereof; and,
FIG. 7 is a Bottom view thereof.

1 Claim, 6 Drawing Sheets



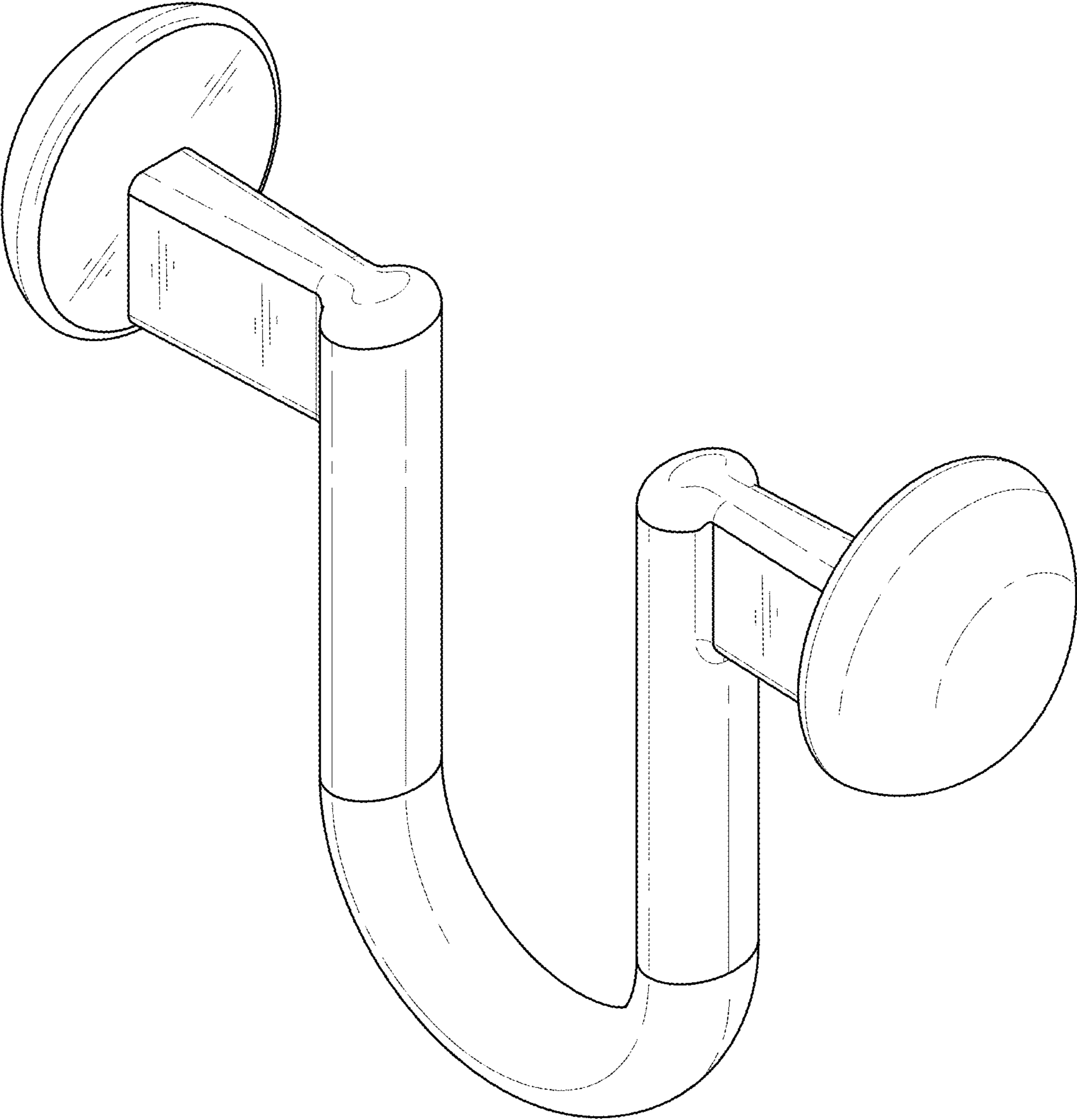


FIG. 1

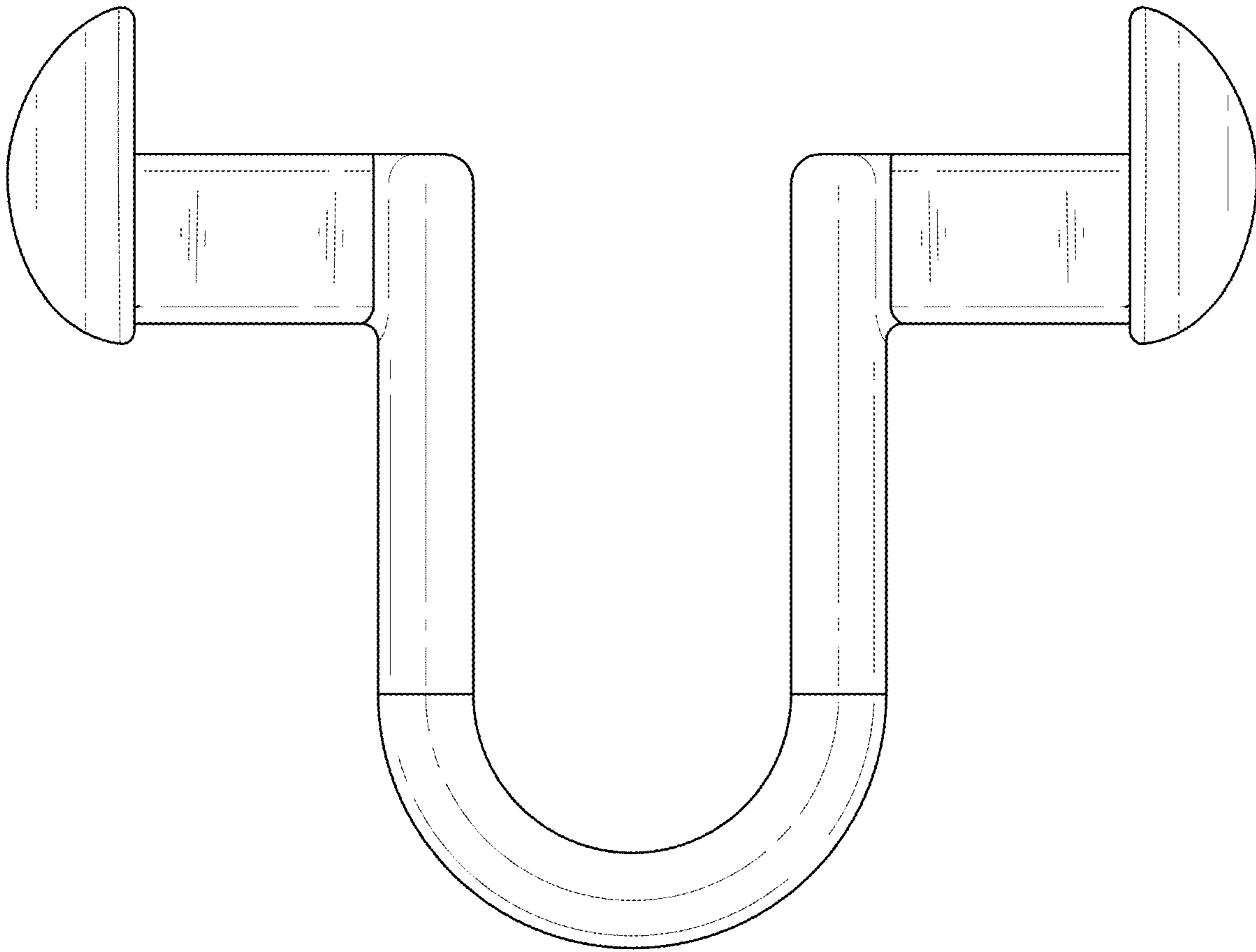


FIG. 2

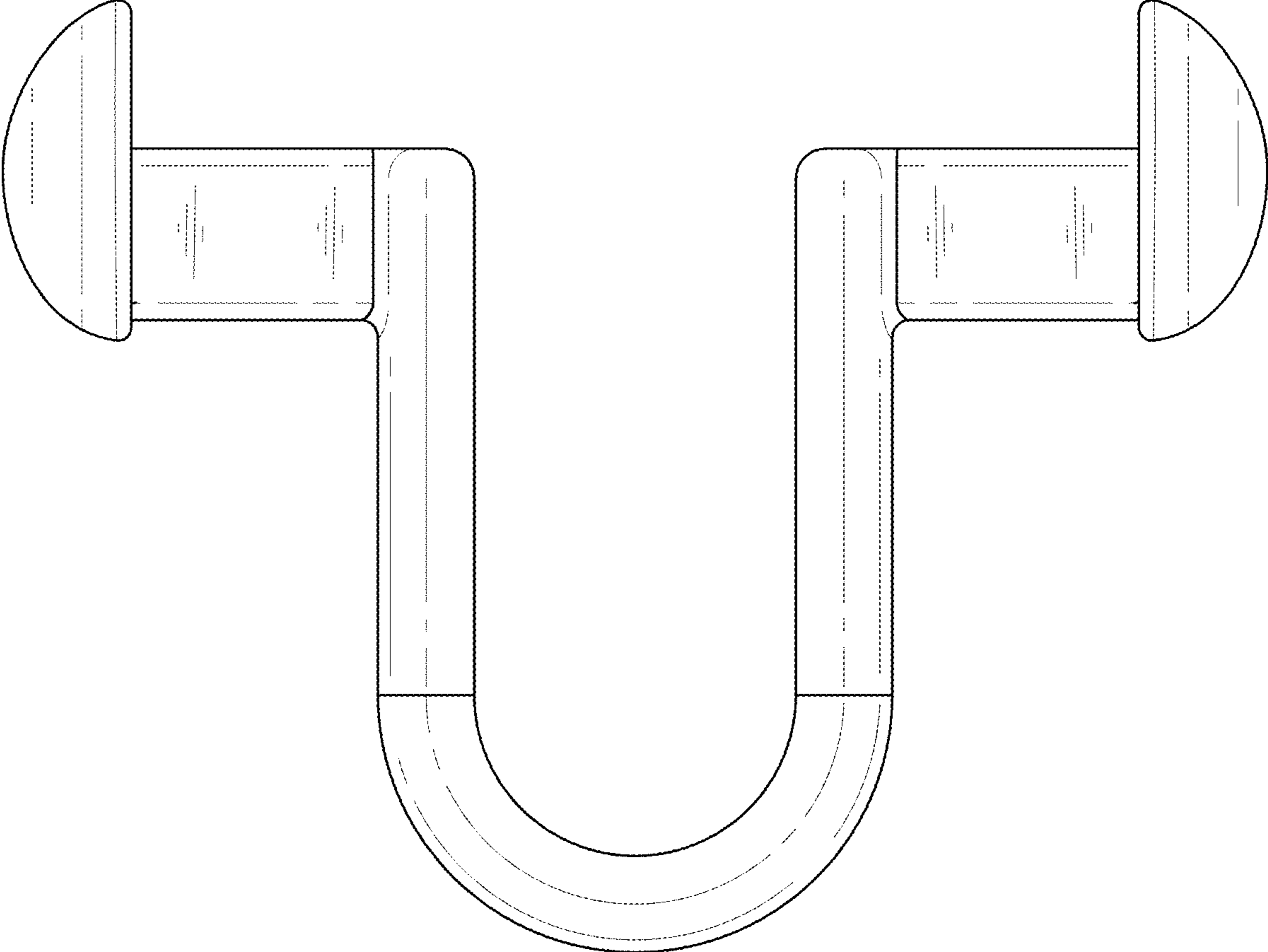


FIG. 3

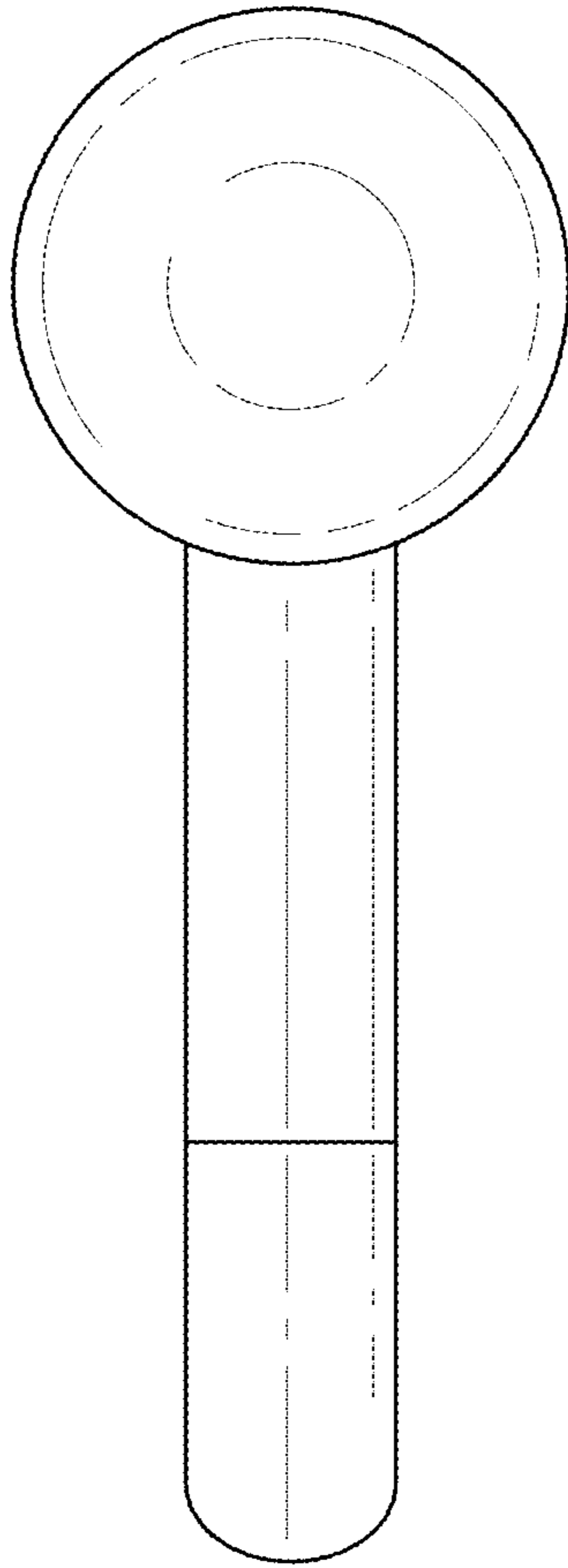


FIG. 4

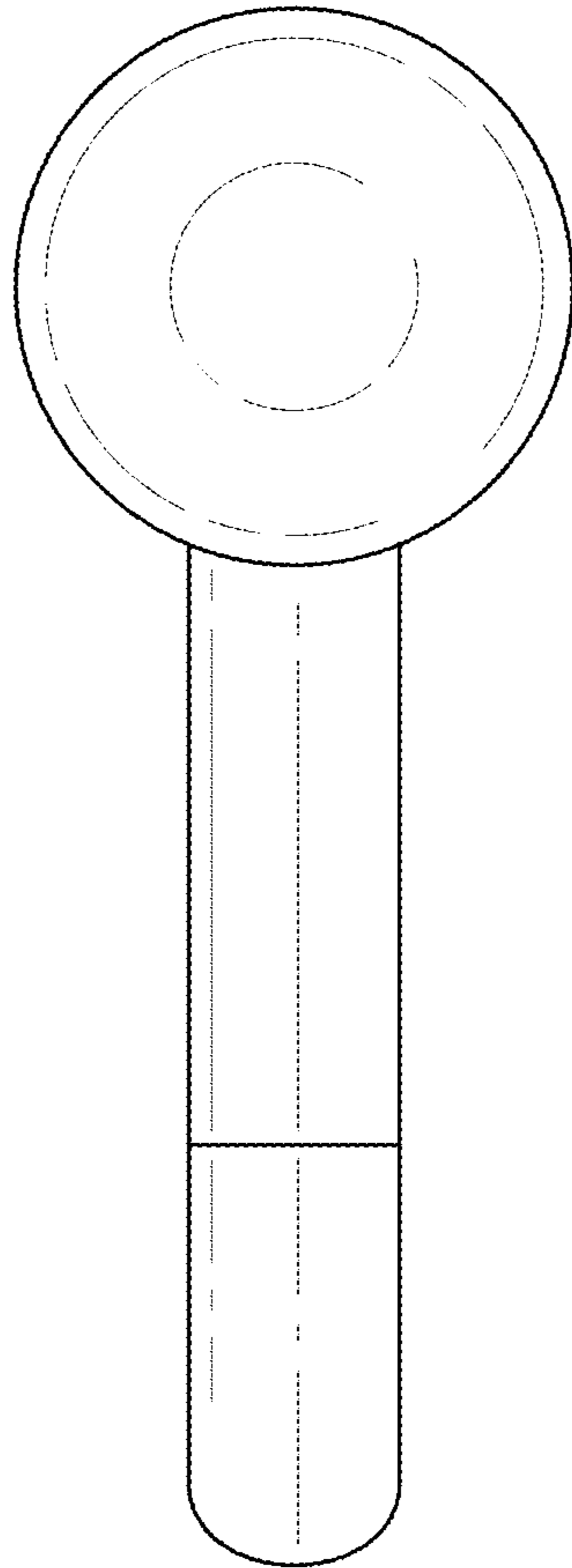


FIG. 5

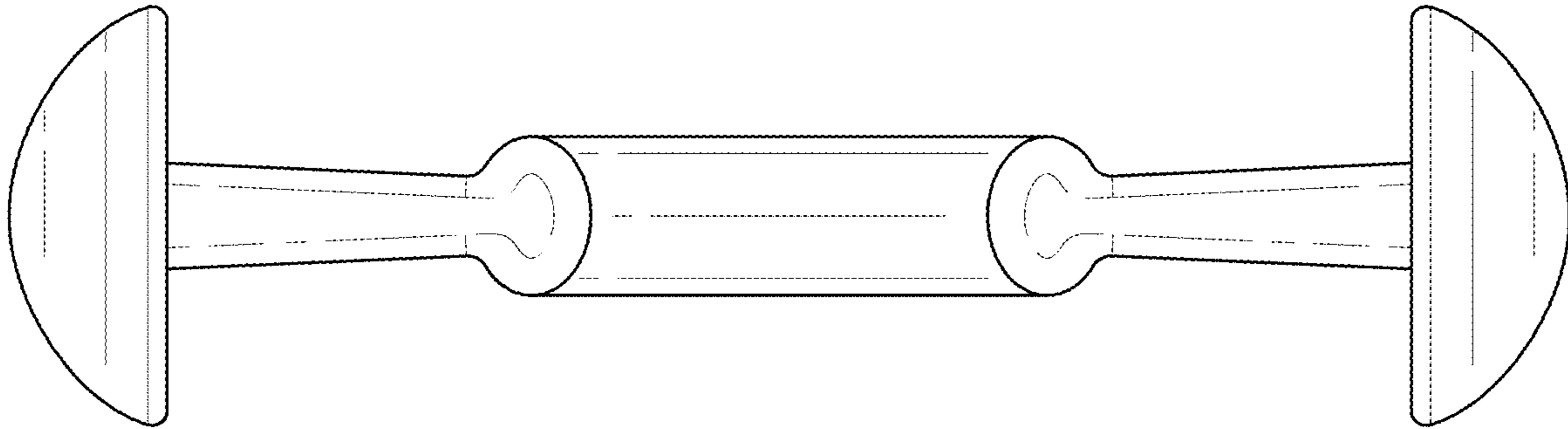


FIG. 6

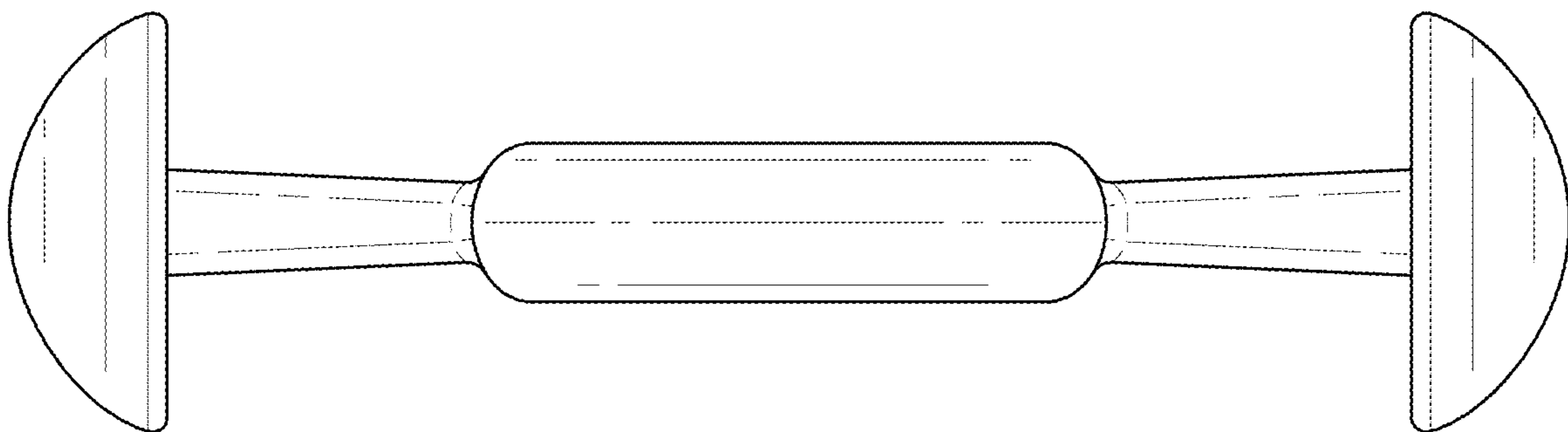


FIG. 7