



US00D944978S

(12) **United States Design Patent** (10) **Patent No.:** **US D944,978 S**
Myers (45) **Date of Patent:** **** Mar. 1, 2022**

(54) **ASPIRATION APPARATUS**
(71) Applicant: **Myers Devices LLC**, Daytona Beach, FL (US)
(72) Inventor: **Kristi A. Myers**, Daytona Beach, FL (US)
(73) Assignee: **Myers Devices, LLC**, Daytona Beach, FL (US)
(**) Term: **15 Years**

D724,204 S * 3/2015 Shubin, Sr. D24/121
D726,308 S * 4/2015 Shubin, Sr. D24/121
D732,662 S * 6/2015 Shubin, Sr. D24/121
D732,684 S * 6/2015 Ooi D24/224
10,398,886 B2 * 9/2019 Myers A61L 2/10
D881,410 S * 4/2020 Motadel D24/224
D882,113 S * 4/2020 Motadel D24/224
D913,521 S * 3/2021 Hong D24/224
2015/0289856 A1 * 10/2015 Saqi A61M 1/3403
422/534
2018/0256877 A1 * 9/2018 Myers A61M 39/08
2020/0178783 A1 * 6/2020 Suriano A61L 2/16
2020/0188566 A1 * 6/2020 Lu A61M 1/1668

(21) Appl. No.: **29/735,833**
(22) Filed: **May 25, 2020**
(51) **LOC (13) Cl.** **24-02**
(52) **U.S. Cl.**
USPC **D24/132**; D24/128; D24/127
(58) **Field of Classification Search**
USPC D24/127-128, 132, 121, 123, 152, 184,
D24/199, 224, 230-231
CPC A61M 39/08; A61M 1/84; A61M 2209/10;
A61M 2209/08; A61B 50/26; A61B
50/36; A61L 2202/24
See application file for complete search history.

OTHER PUBLICATIONS

The Yankaddy—Myers Devices—Medical Equipment, youtube, [Post date May 26, 2020],[Site seen Oct. 14, 2021], Seen at URL: <https://www.youtube.com/watch?v=oug4L-VrthQ> (Year: 2020).*

(Continued)

Primary Examiner — Natasha Vujcic
Assistant Examiner — Gilbert B Ford
(74) *Attorney, Agent, or Firm* — GFD Patents, LLC; Gerald F. Dudding

(56) **References Cited**

U.S. PATENT DOCUMENTS

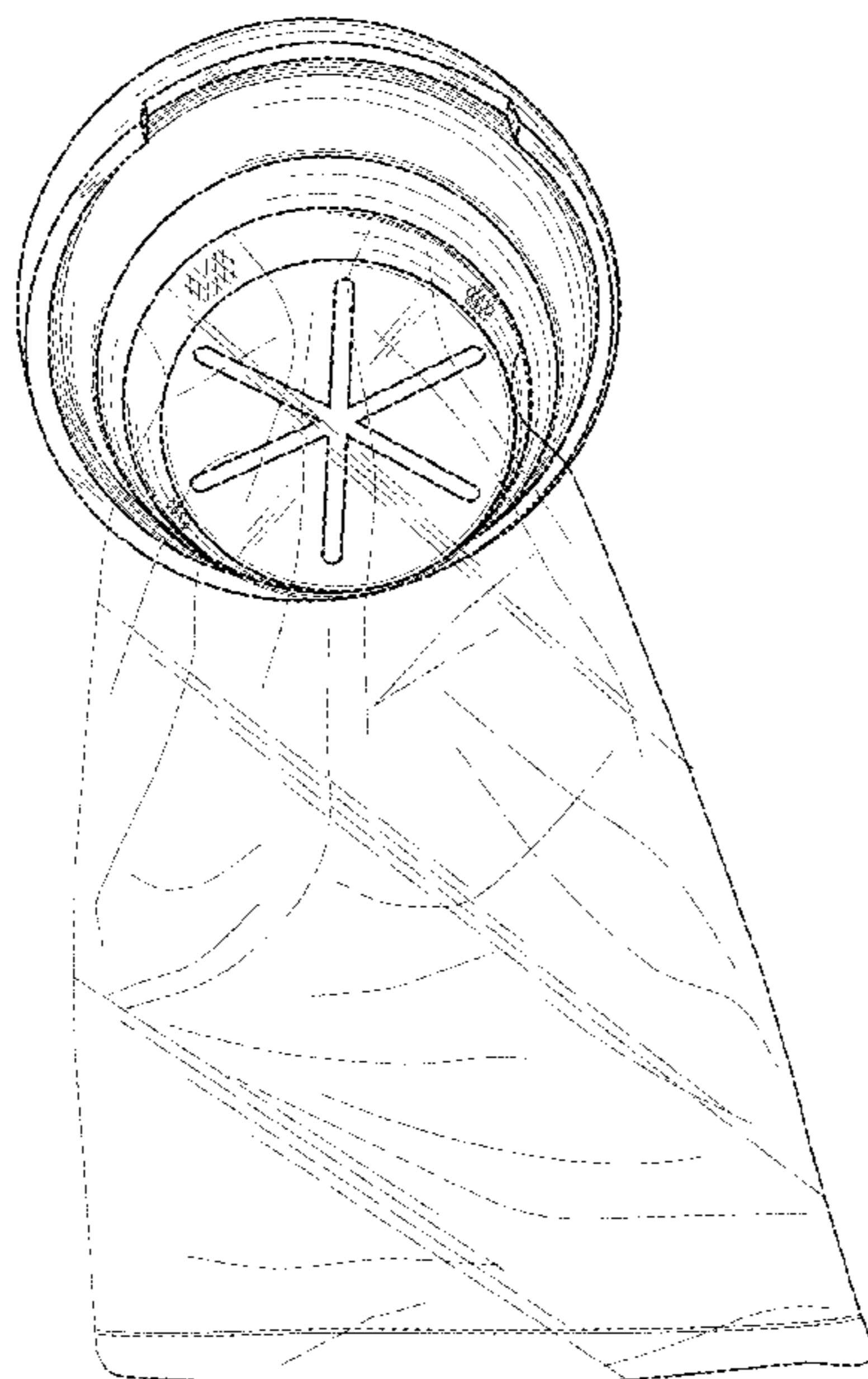
3,805,788 A * 4/1974 Kleiner A61M 1/0001
604/320
3,915,189 A * 10/1975 Holbrook A61M 1/0001
137/205
D377,115 S * 1/1997 Feriend D24/117
D541,933 S * 5/2007 White D11/146
D583,933 S * 12/2008 Finney D24/121
8,465,440 B1 * 6/2013 Grayson A61B 10/007
600/575
D687,304 S * 8/2013 Tanner D9/521
D707,364 S * 6/2014 Spencer D24/224

(57) **CLAIM**
The ornamental design for an aspiration apparatus, as shown and described.

DESCRIPTION

FIG. 1 is a perspective view of an aspiration apparatus showing a new design;
FIG. 2 is a front view thereof;
FIG. 3 is a rear view thereof;
FIG. 4 is a side view thereof;
FIG. 5 is a side view thereof;
FIG. 6 is a bottom plan view thereof; and,
FIG. 7 is a top plan view thereof.

1 Claim, 6 Drawing Sheets



(56)

References Cited

OTHER PUBLICATIONS

Suction Liner Bag, LILY Medical, [Post Date Oct. 11, 2015], [Site seen Oct. 14, 2021], Seen at URL: <https://www.lily-medical.com/suction/suction-liner-bag.html> (Year: 2015).*

Factory Directly Medical Suction Liner—Disposable Suction Bag D, Bornsun, [Post date unknown], [Site seen Oct. 14, 2021], Seen at URL: <https://www.jsbornsun.com/factory-directly-medical-suction-liner-disposable-suction-bag-d-bornsun-product/> (Year: 2021).*

* cited by examiner

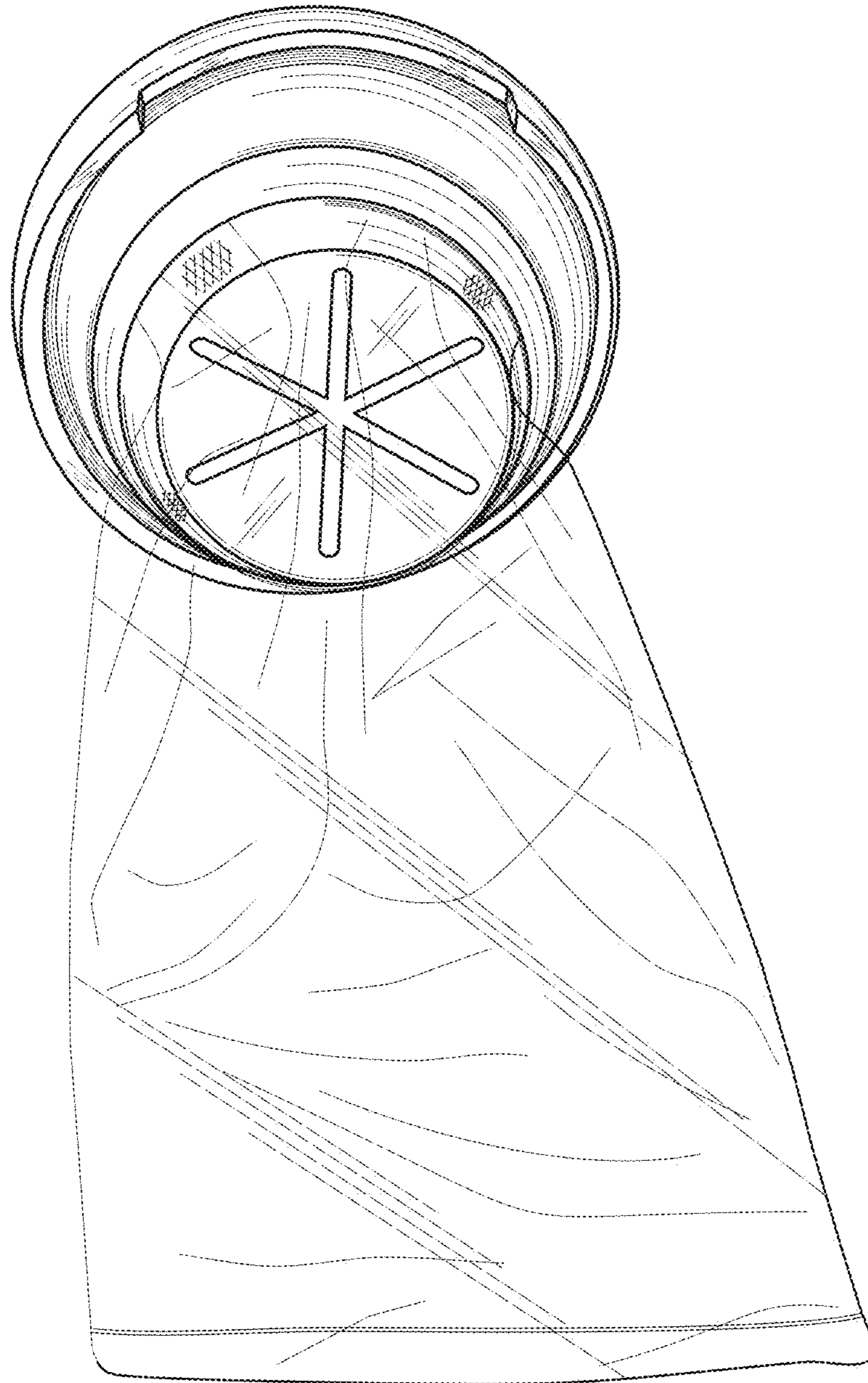


FIG. 1

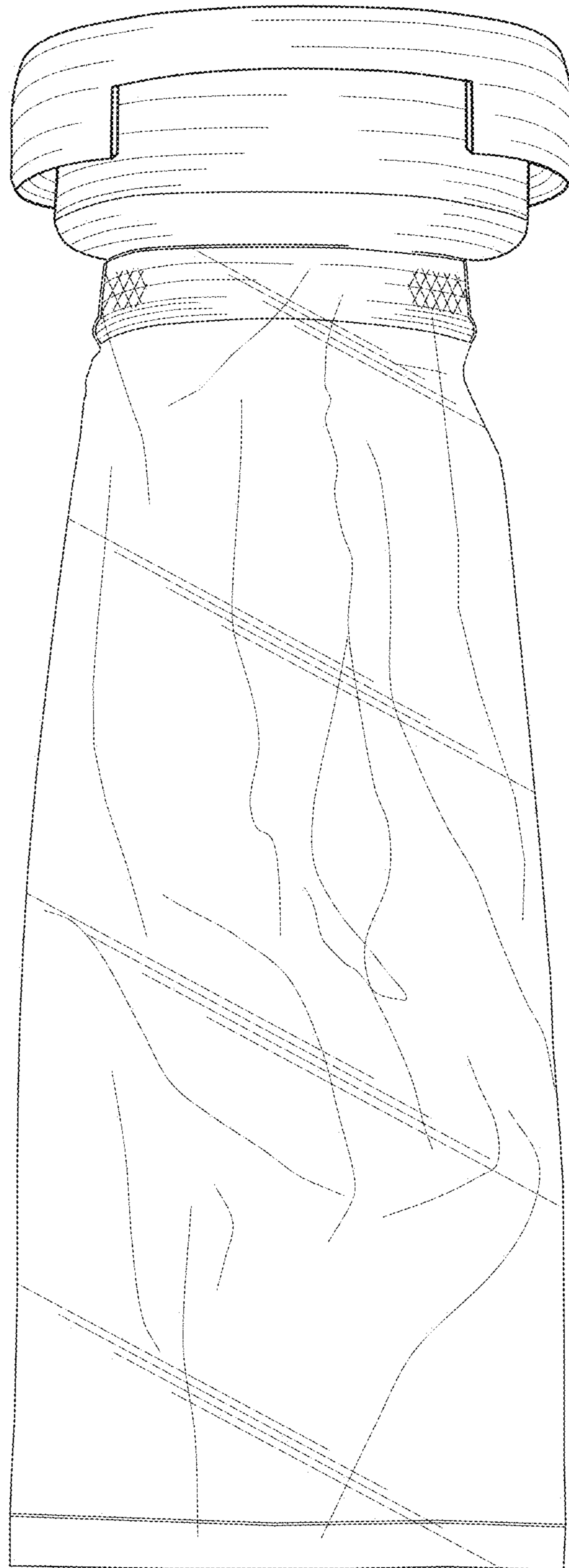


FIG. 2

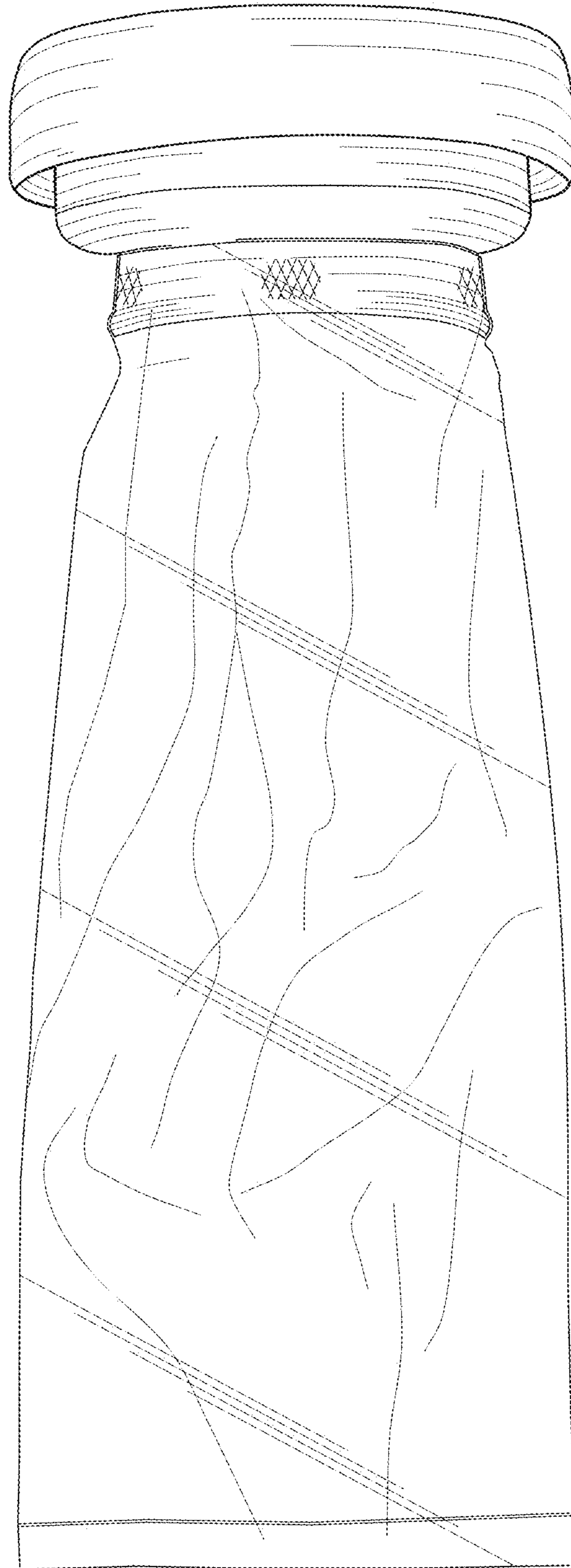


FIG. 3

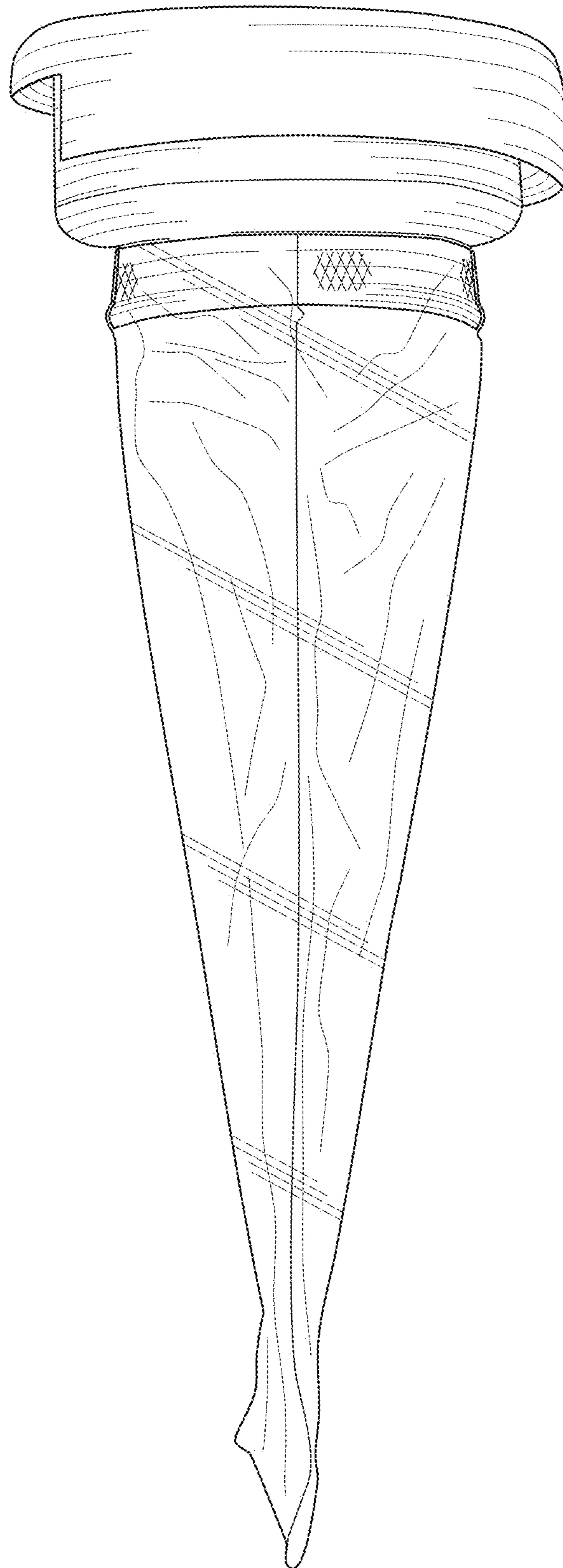


FIG. 4

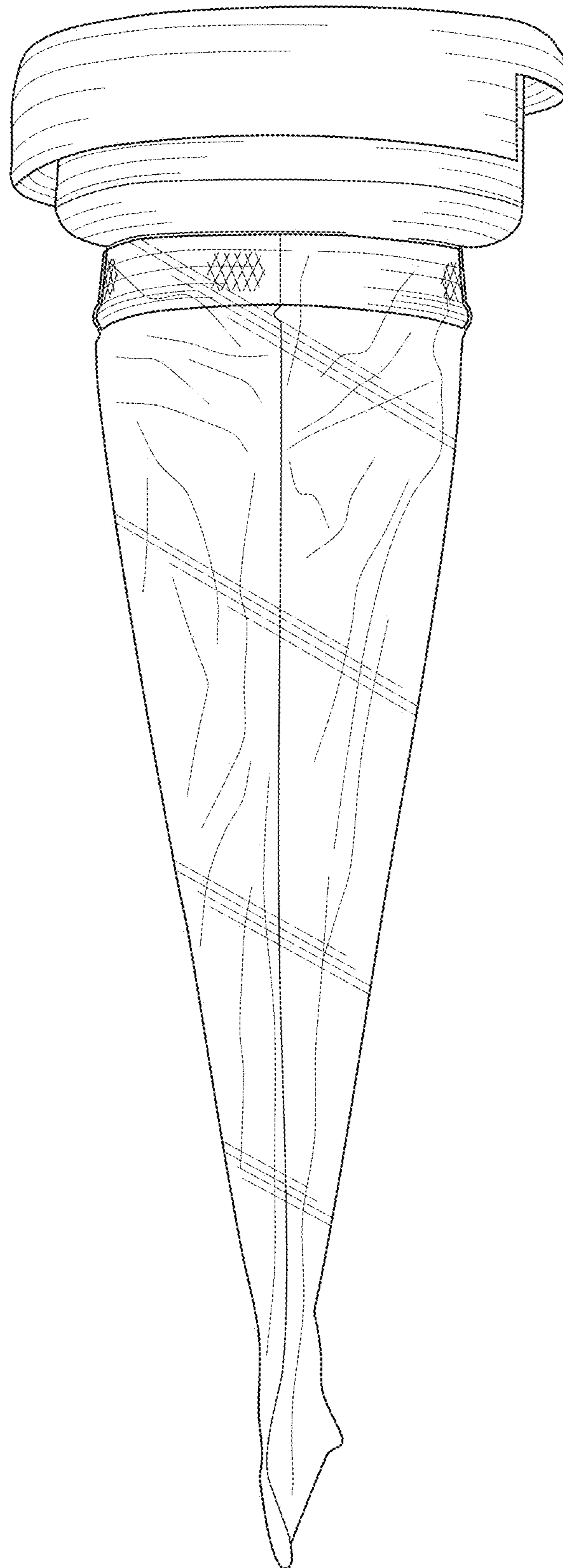


FIG. 5

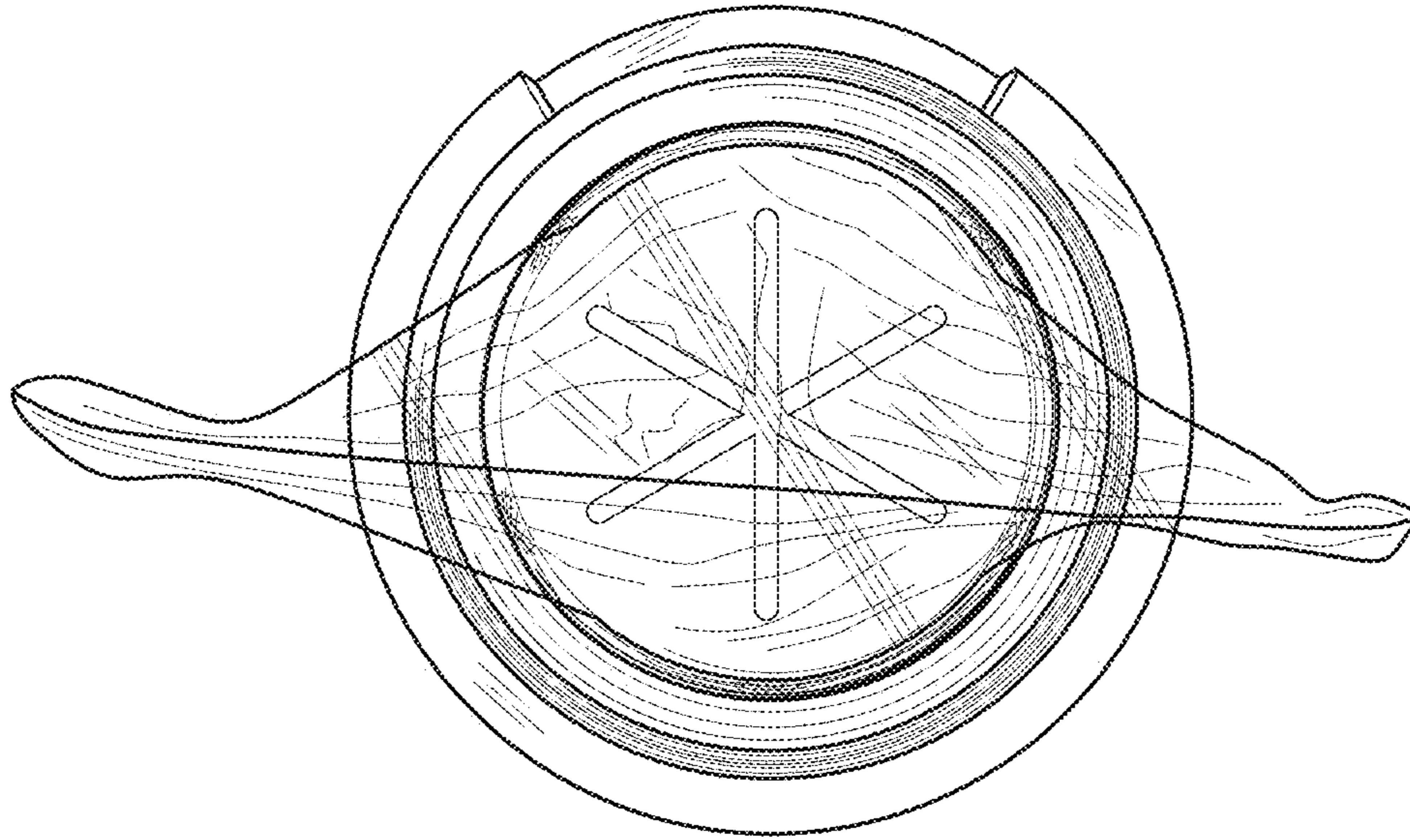


FIG. 6

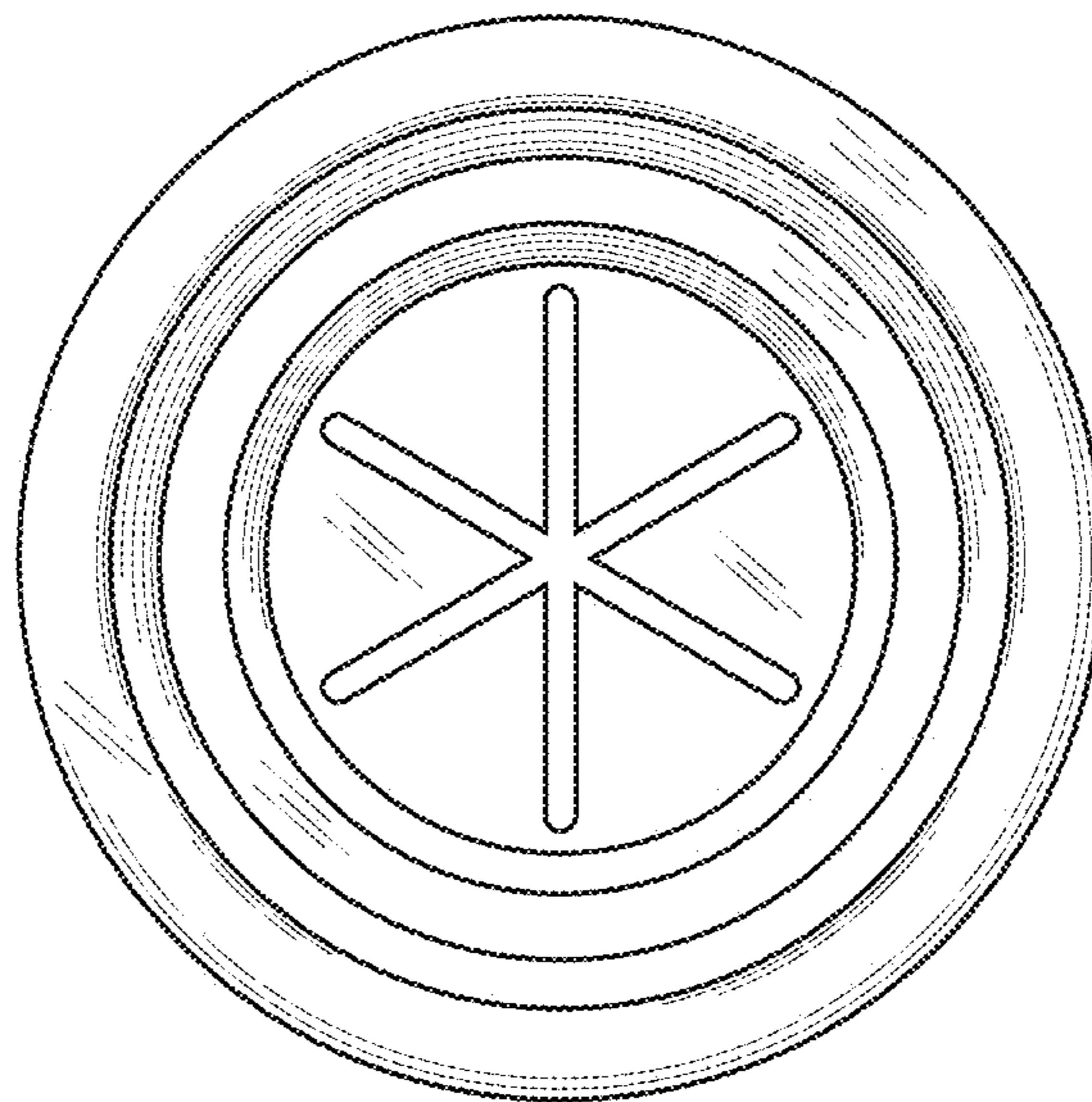


FIG. 7