



US00D944977S

(12) **United States Design Patent**
Bainton et al.

(10) **Patent No.:** **US D944,977 S**
(45) **Date of Patent:** **** Mar. 1, 2022**

- (54) **INJECTOR SHIELD**
- (71) Applicant: **Becton Dickinson France, Le**
Pont-de-Claix (FR)
- (72) Inventors: **Eleanor Bainton, Kinton (GB);**
Daniel Paul Jenkins, St Albans (GB);
Maartje Saskia Pel, Leamington Spa
(GB); **Malcolm Stanley Boyd,**
Wellesbourne (GB)
- (73) Assignee: **Becton Dickinson France, Le**
Pont-de-Claix (FR)
- (**) Term: **15 Years**
- (21) Appl. No.: **29/722,908**
- (22) Filed: **Feb. 3, 2020**
- (51) **LOC (13) Cl.** **24-02**
- (52) **U.S. Cl.**
USPC **D24/130**
- (58) **Field of Classification Search**
USPC D24/112–114, 108, 133, 130, 127, 186;
606/181, 185; 604/264, 272, 187, 181,
604/184, 227
CPC A61M 5/178; A61M 3/00; A61M 5/20;
A61M 5/31; A61M 5/3146; A61M
5/3129; A61M 5/3148; A61M 5/315
See application file for complete search history.

10,675,414	B2 *	6/2020	Kirsh	A61M 5/3129
10,857,306	B2 *	12/2020	Holmqvist	A61M 5/31568
10,857,343	B2 *	12/2020	Di Ubaldi	A61M 5/178
D907,769	S *	1/2021	Khalaj	D24/130
D915,401	S *	4/2021	Joshi	D14/358
11,013,865	B2 *	5/2021	Maritan	A61M 5/3202
D925,031	S *	7/2021	Baker	D24/112
2013/0110050	A1 *	5/2013	Boyd	A61M 5/2448
					604/191
2014/0094757	A1 *	4/2014	Mercer	A61M 5/2448
					604/191
2014/0249480	A1 *	9/2014	Mercer	A61M 5/3294
					604/198

* cited by examiner

Primary Examiner — David G Muller
(74) *Attorney, Agent, or Firm* — The Webb Law Firm

(57) **CLAIM**

The ornamental design for an injector shield, as shown and described.

DESCRIPTION

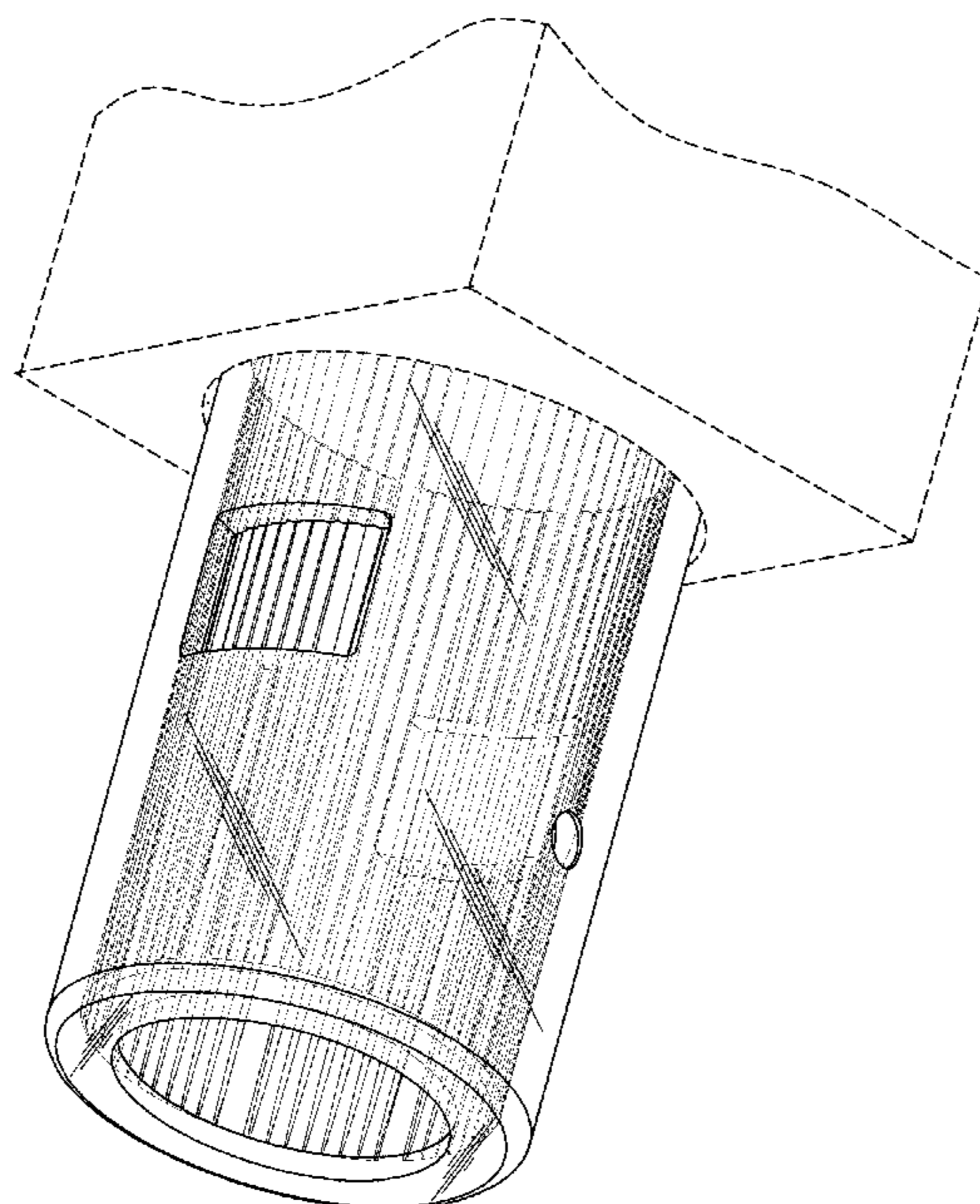
FIG. 1 is a perspective view of an injector shield, showing our new design;
 FIG. 2 is a side view thereof;
 FIG. 3 is a front view thereof;
 FIG. 4 is a rear view thereof;
 FIG. 5 is side view thereof;
 FIG. 6 is a bottom view thereof; and,
 FIG. 7 is a perspective view thereof.
 The broken lines in FIGS. 1-7 are for the purpose of illustrating environmental structure and form no part of the claimed design. The line of alternating dots and dashes in FIG. 6 is a boundary line that defines the bounds of the claimed design and forms no part thereof. Oblique line shading in FIGS. 1-5 and 7 indicates a transparent or translucent appearance.

1 Claim, 7 Drawing Sheets

(56) **References Cited**

U.S. PATENT DOCUMENTS

D465,846	S *	11/2002	Hwang	D24/130
6,712,794	B2 *	3/2004	Kust	A61B 17/8822
					604/211
6,722,705	B2 *	4/2004	Korkor	A61M 39/1011
					285/148.6



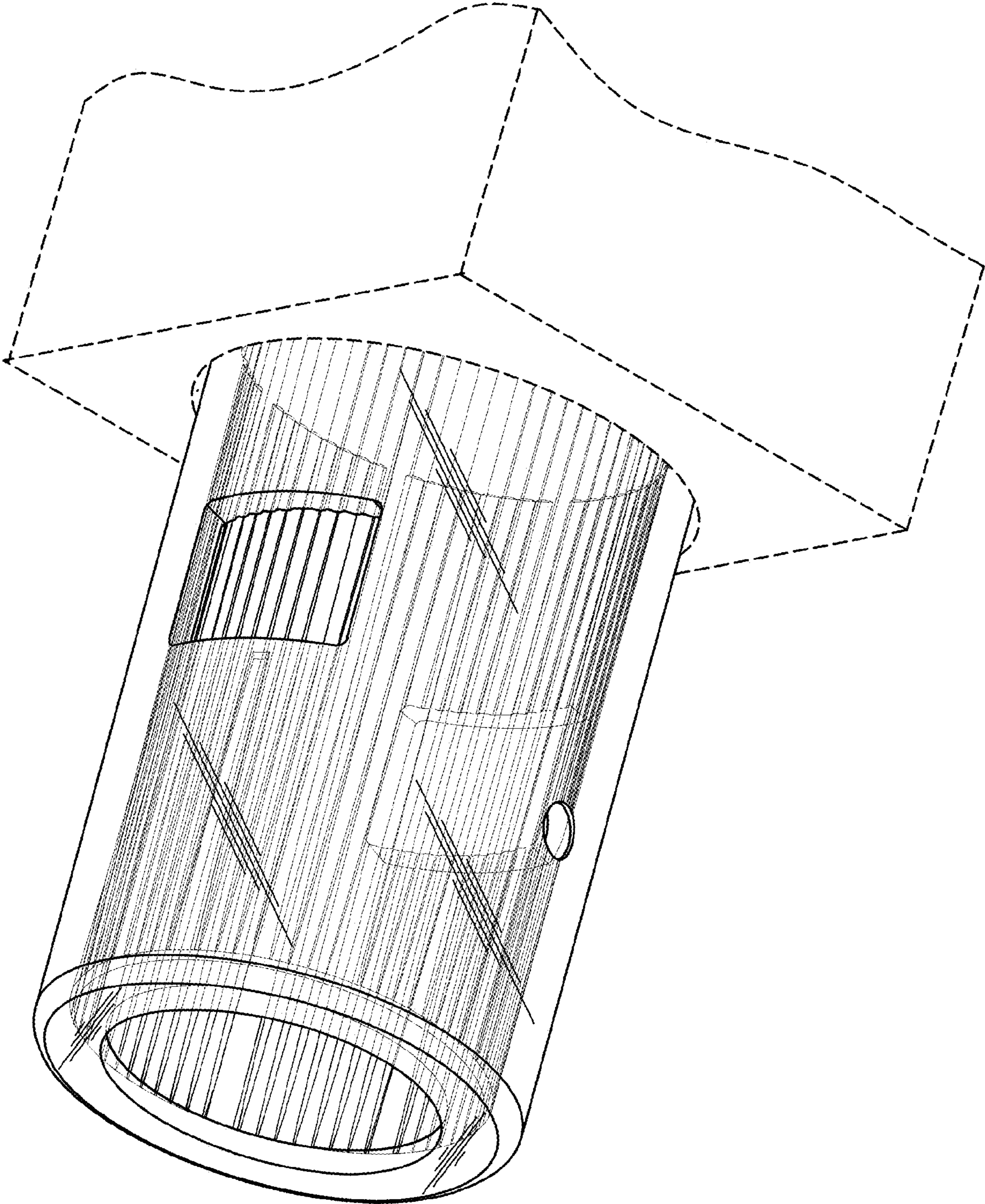


FIG. 1

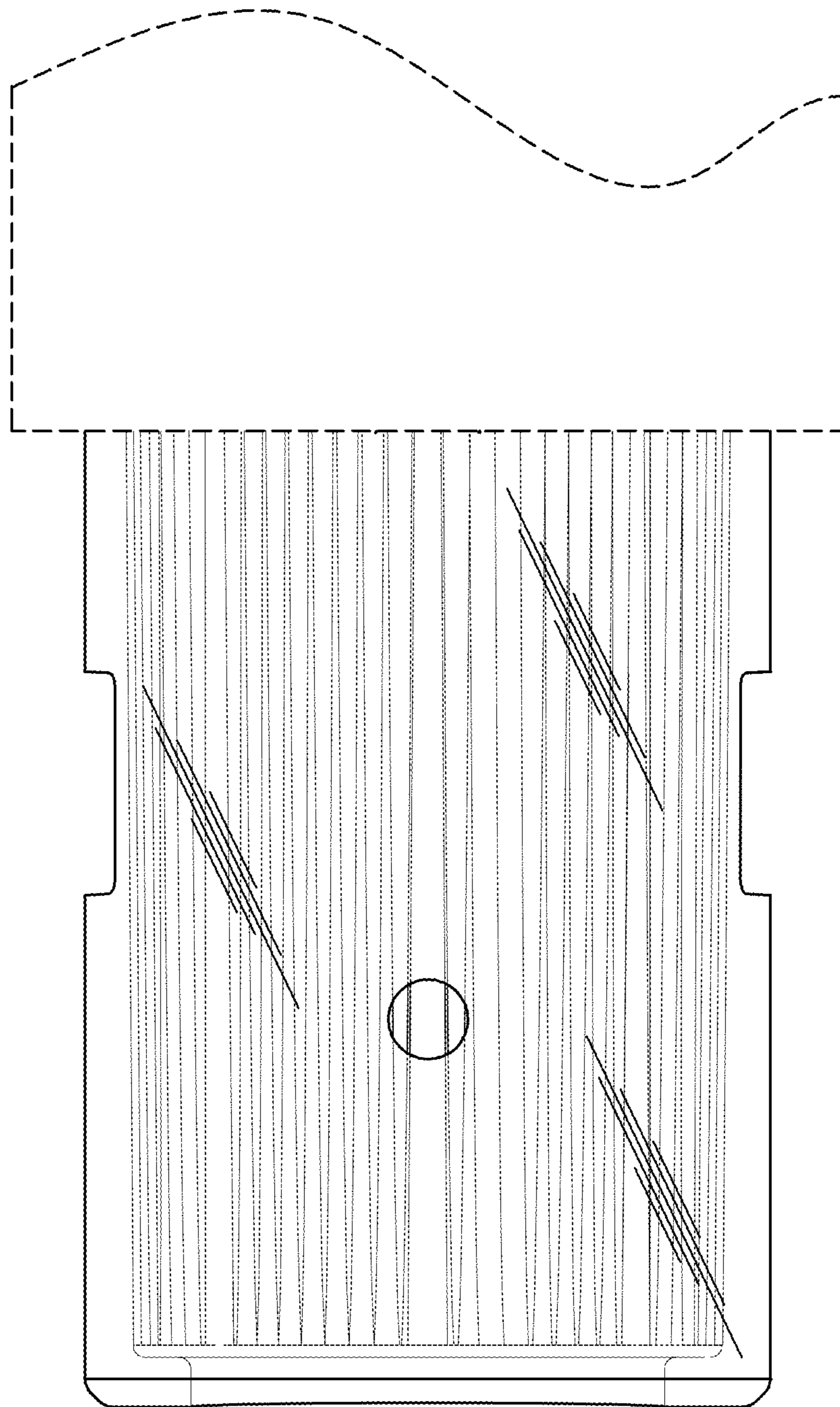


FIG.2

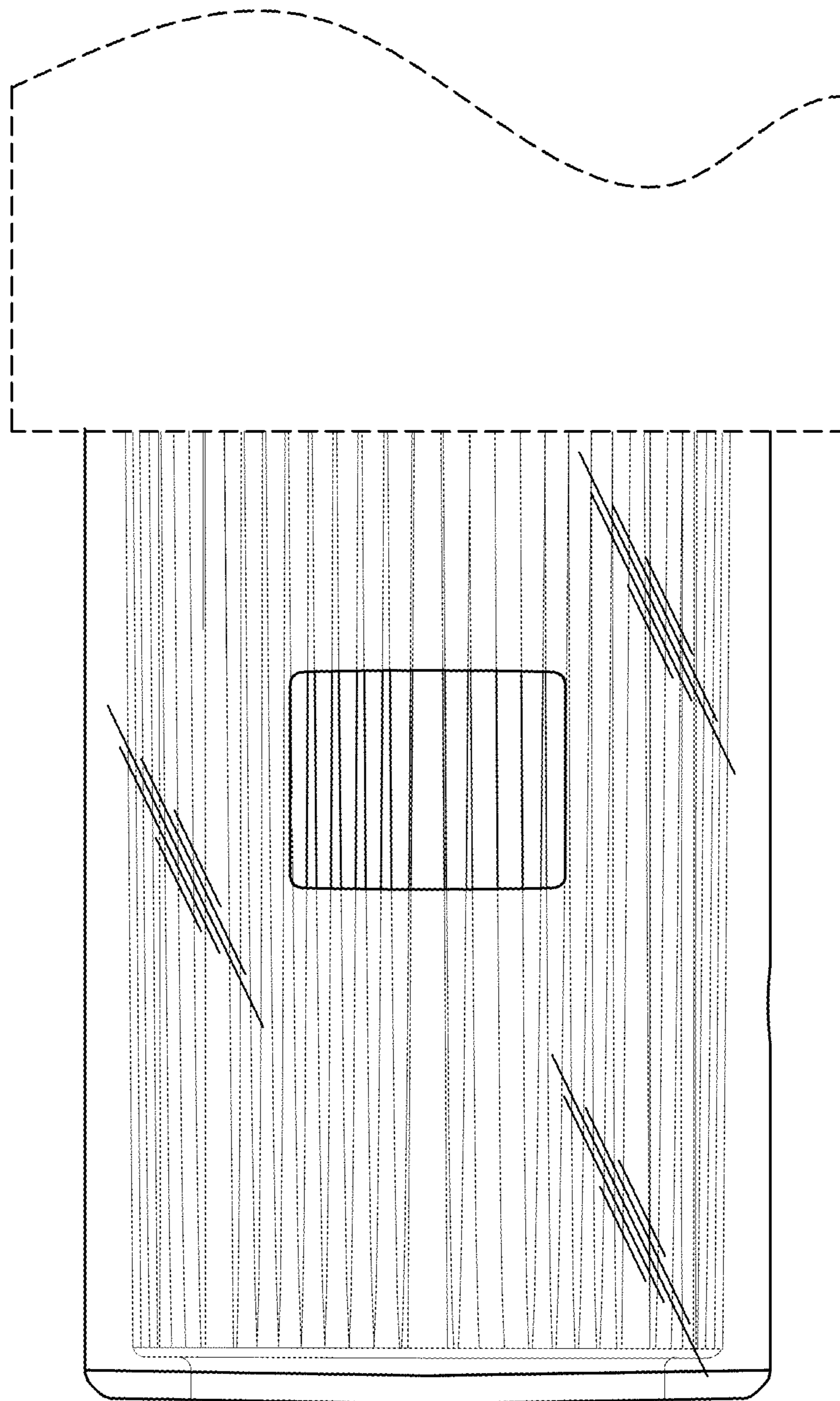


FIG.3

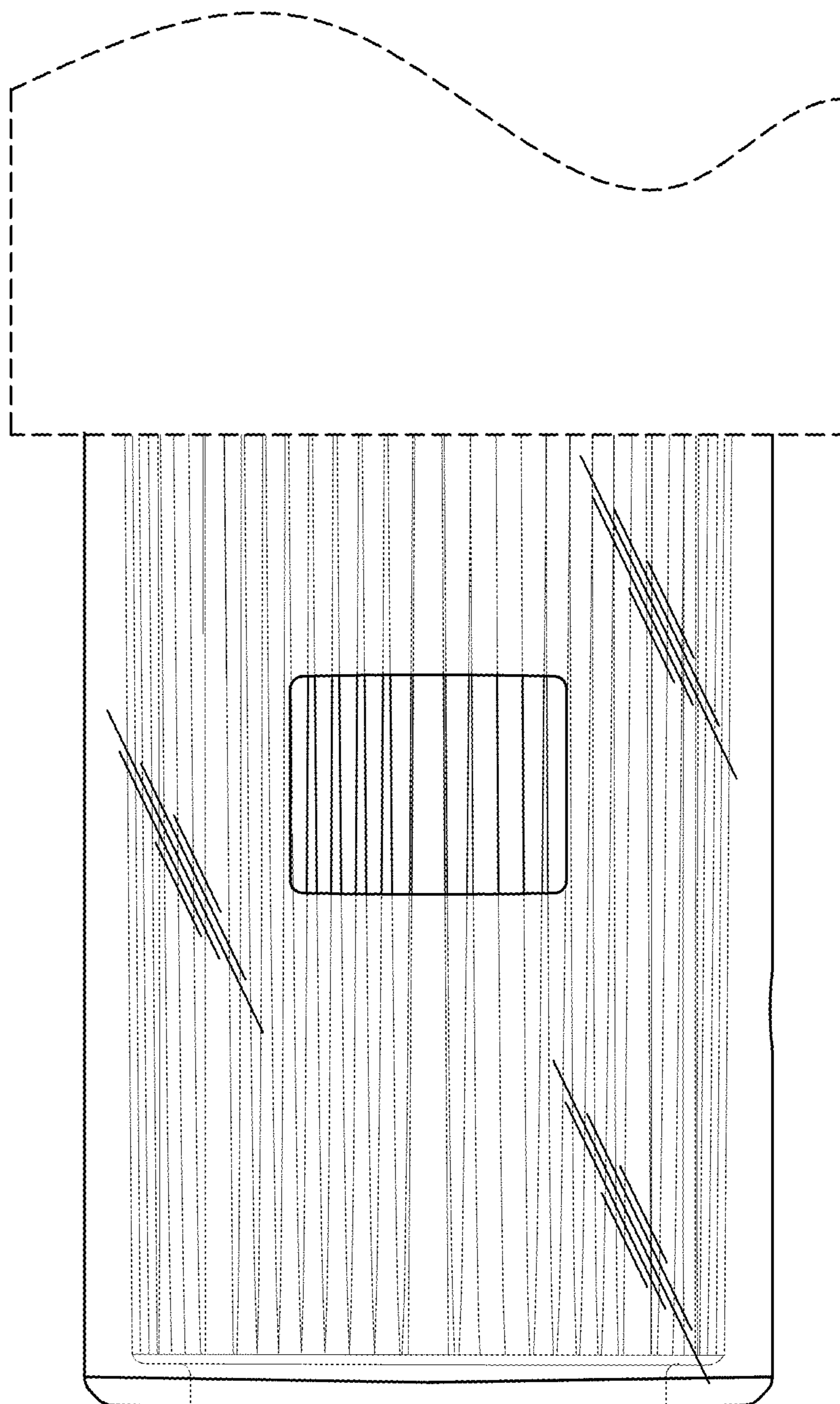


FIG.4

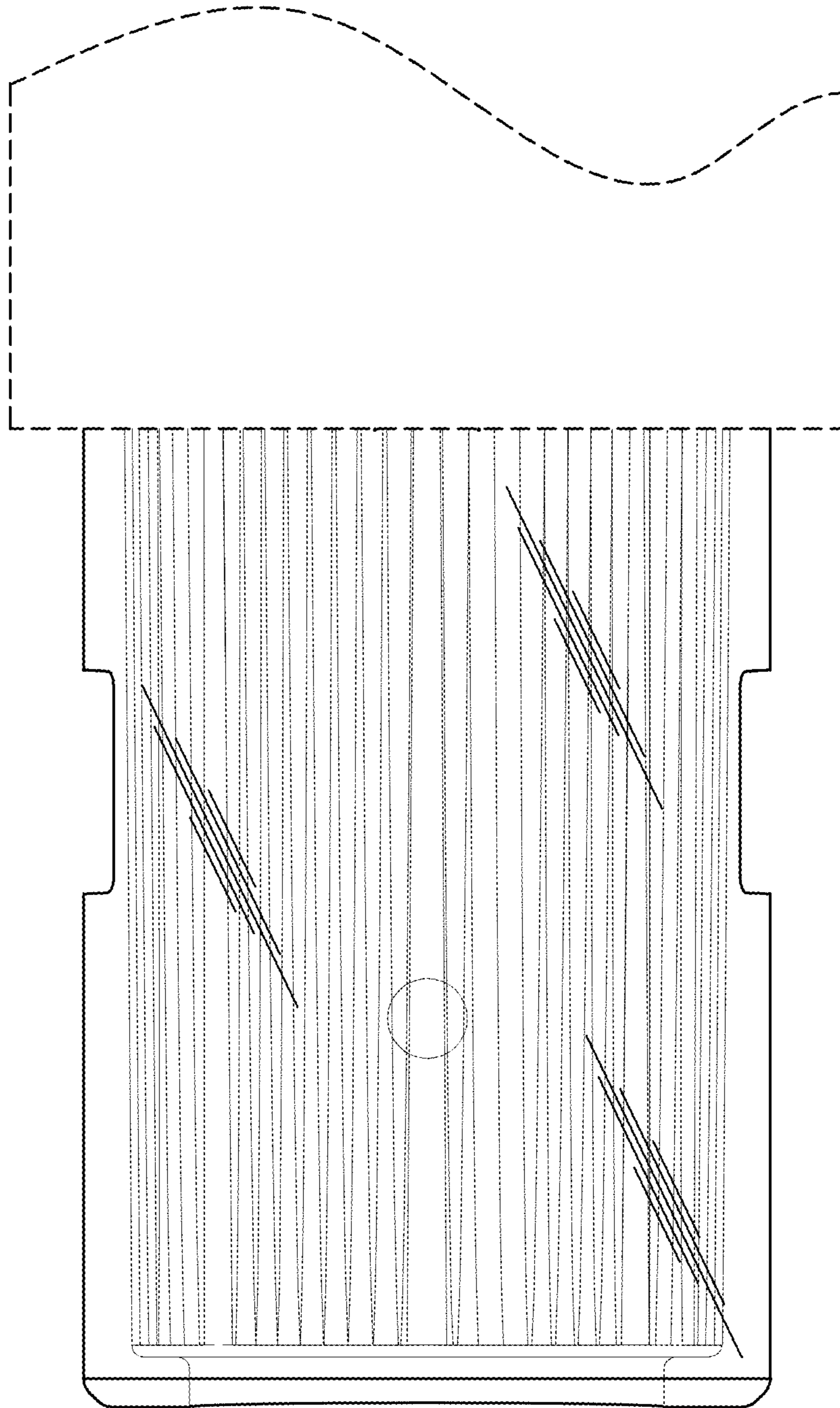


FIG.5

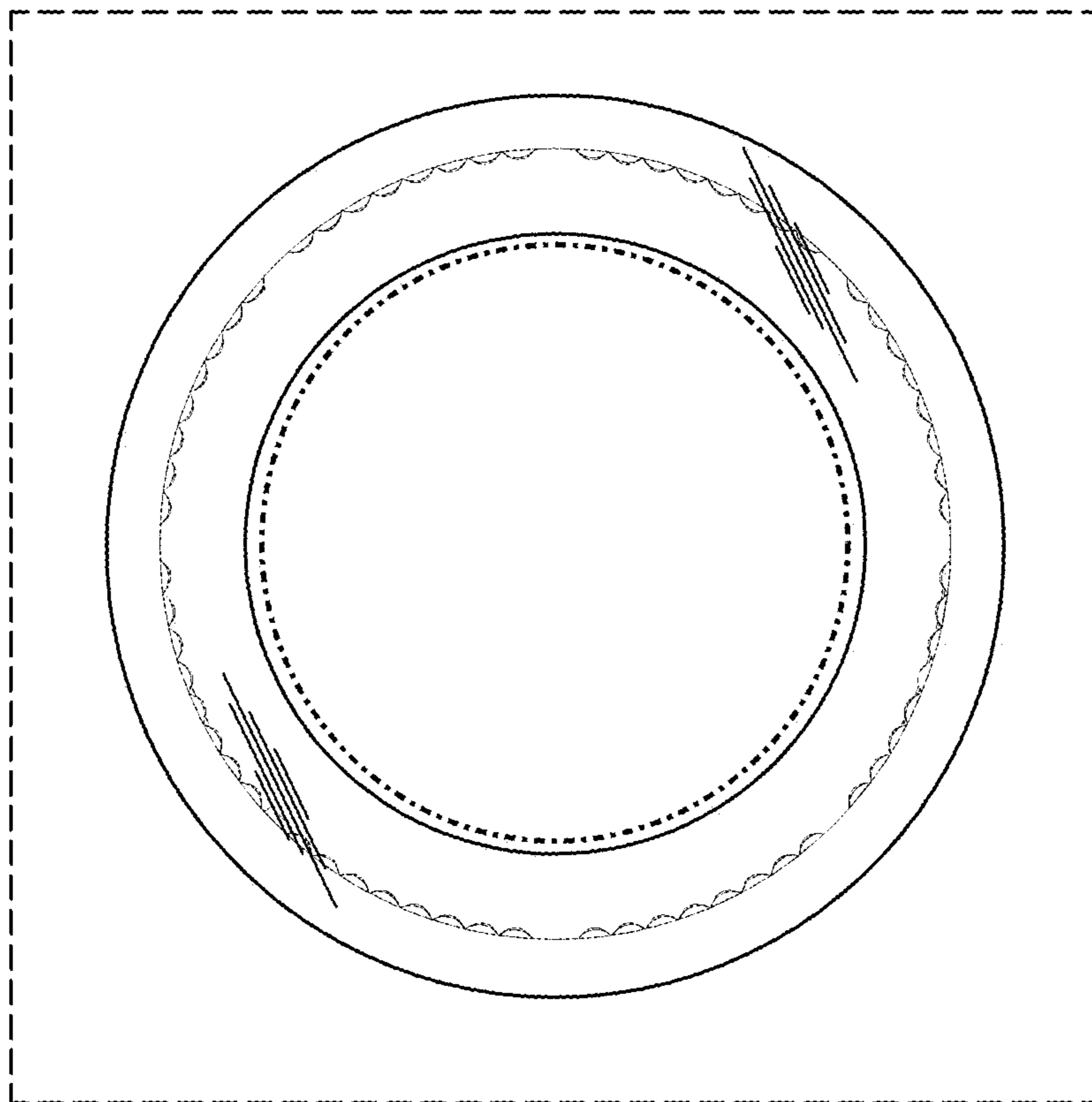


FIG. 6

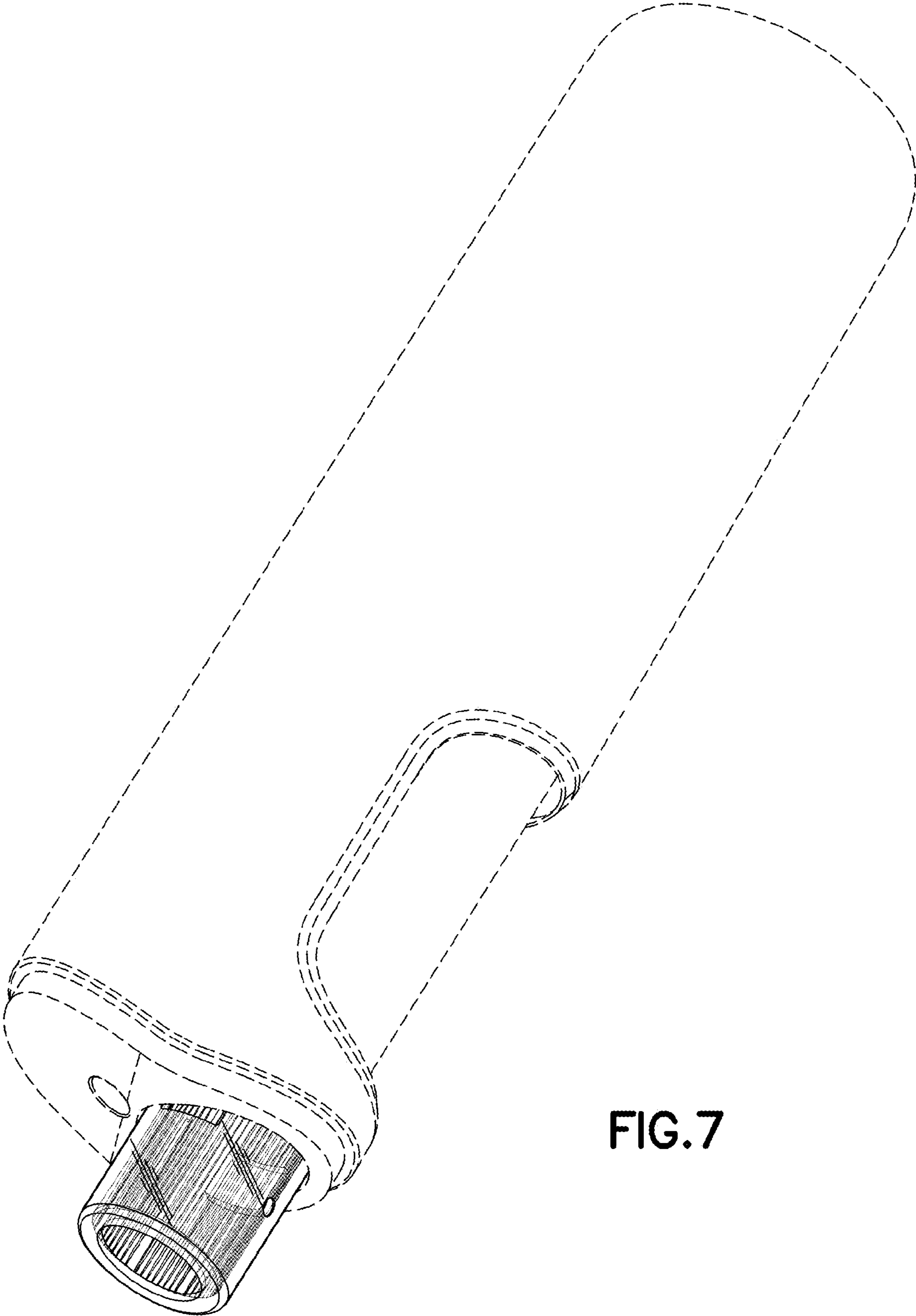


FIG. 7