



US00D944974S

(12) **United States Design Patent**
Chen et al.

(10) **Patent No.:** **US D944,974 S**
(45) **Date of Patent:** **** Mar. 1, 2022**

(54) **WATER FLOSSER**

(71) Applicant: **SHENZHEN CHENGKANG ZHIHUI MEDICAL CO., LTD.**, Shenzhen (CN)

(72) Inventors: **Aihua Chen**, Shenzhen (CN); **Lin Chen**, Ningguo (CN); **Yuehong Shi**, Shenzhen (CN); **Haikun Li**, Huizhou (CN)

(73) Assignee: **SHENZHEN CHENGKANG ZHIHUI MEDICAL CO., LTD.**, Shenzhen (CN)

(**) Term: **15 Years**

(21) Appl. No.: **29/776,346**

(22) Filed: **Mar. 30, 2021**

(51) **LOC (13) Cl.** **24-02**

(52) **U.S. Cl.**
USPC **D24/111**

(58) **Field of Classification Search**
USPC D24/100, 101, 108, 111, 112–115, 117, D24/152, 176; D8/107; D4/101, 104
CPC A61C 15/048; A61C 17/00; A61C 17/005; A61C 17/02; A61C 17/0202; A61C 17/225; A61C 17/032; A61C 17/0217
See application file for complete search history.

(56) **References Cited**

U.S. PATENT DOCUMENTS

5,511,693	A *	4/1996	Weissman	A61C 17/032
					222/1
D413,975	S *	9/1999	Maeda	D24/111
D441,861	S *	5/2001	Hafliker	D24/111
D707,350	S *	6/2014	Woodard	D24/111
D754,330	S *	4/2016	Kim	D24/111
D806,228	S	12/2017	Yan		
D812,219	S	3/2018	Wang		
D840,022	S *	2/2019	Porter	D24/111
D877,324	S *	3/2020	Massie	D24/111
D889,637	S *	7/2020	Yuan	D24/111
D908,208	S *	1/2021	He	D24/111

D933,201	S *	10/2021	Zhou	D24/111
D934,413	S *	10/2021	Nicholas	D24/113
2017/0209246	A1 *	7/2017	Williams	A61M 39/1055

(Continued)

FOREIGN PATENT DOCUMENTS

CN 202130262029.8 * 8/2021

OTHER PUBLICATIONS

Panasonic EW-DJ10-A Portable Dental Water Flosser | Best Electric Flosser & Oral Irrigator | Perfect for Travel—AA Battery Operated, Collapsible, Waterproof | Plus 2 Nozzle Replacement Parts EW0955W. Online, published date Nov. 4, 2018. Retrieved on Nov. 19, 2021 from URL: <https://www.amazon.com/Panasonic-EW-DJ10-For>.*

Primary Examiner — Omeed Agilee

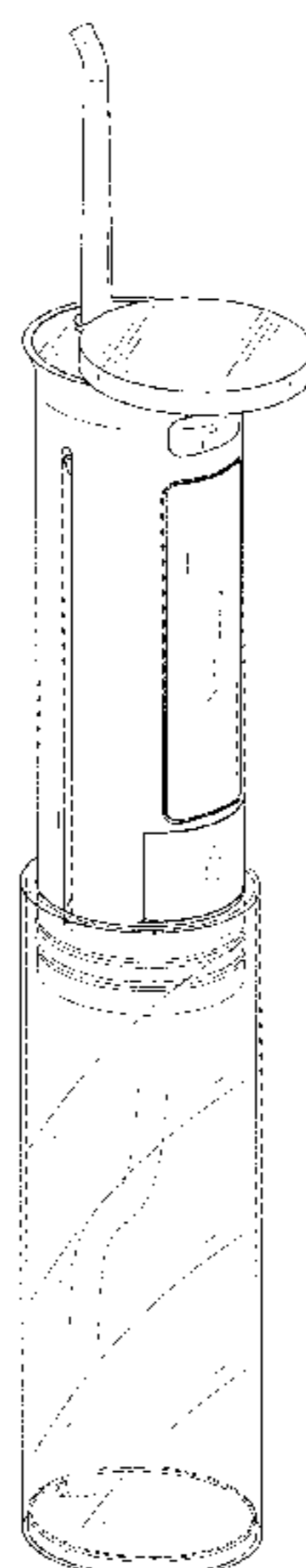
(57) **CLAIM**

The ornamental design for a water flosser, as shown and described.

DESCRIPTION

FIG. 1 is a perspective view of a water flosser showing our new design where the water flosser is in a first configuration of use;
FIG. 2 is another perspective view thereof;
FIG. 3 is a front elevational view thereof;
FIG. 4 is a rear elevational view thereof;
FIG. 5 is a left side elevational view thereof;
FIG. 6 is a right side elevational view thereof;
FIG. 7 is a top plan view thereof;
FIG. 8 is a bottom plan view thereof;
FIG. 9 is a perspective view of the water flosser where the water flosser is in a second configuration of use; and,
FIG. 10 is a perspective view of the water flosser where the water flosser is in a third configuration of use;
The broken lines in the drawings depict portions of the water flosser that form no part of the claimed design.

1 Claim, 10 Drawing Sheets



(56)

References Cited

U.S. PATENT DOCUMENTS

2020/0268494 A1* 8/2020 Senff A61Q 11/00
2021/0085437 A1* 3/2021 Li A61C 17/0202
2021/0121274 A1* 4/2021 Yin A61C 15/00

* cited by examiner

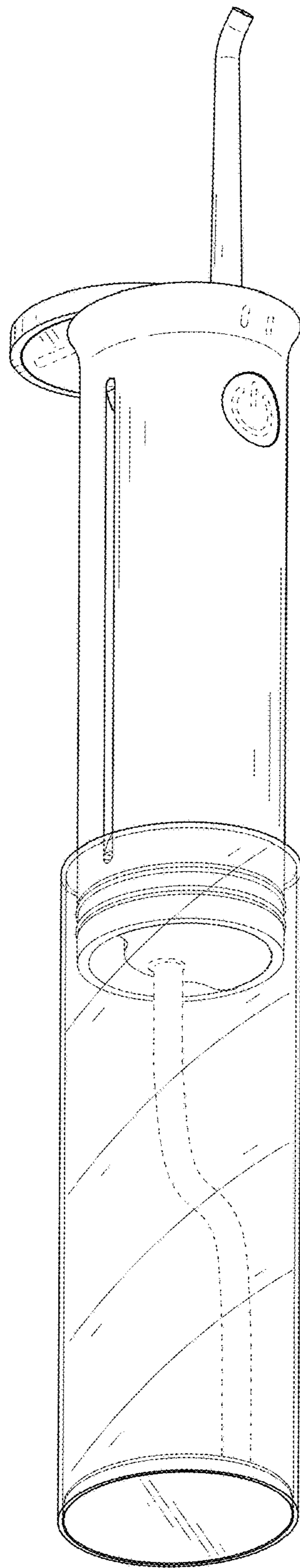


FIG. 1

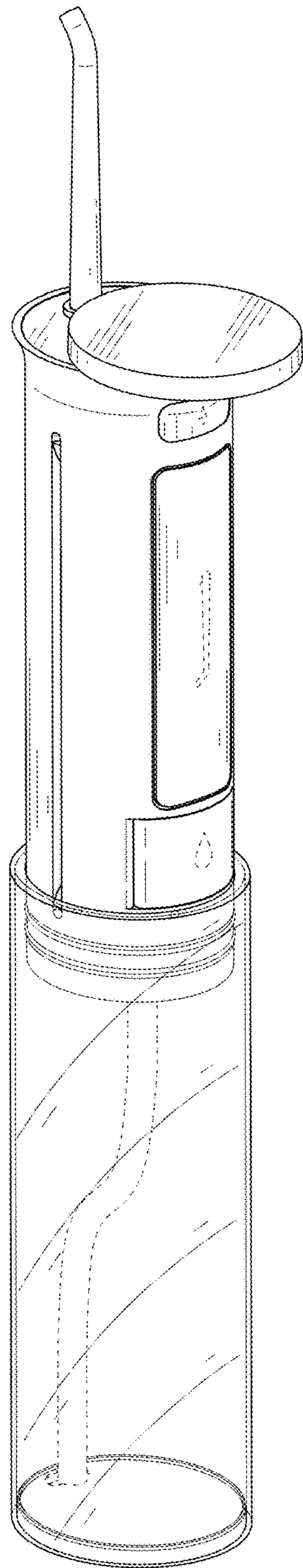


FIG. 2

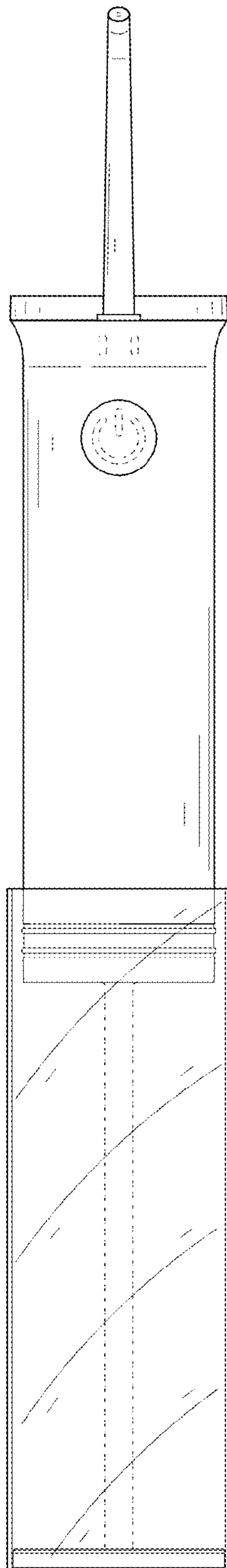


FIG. 3

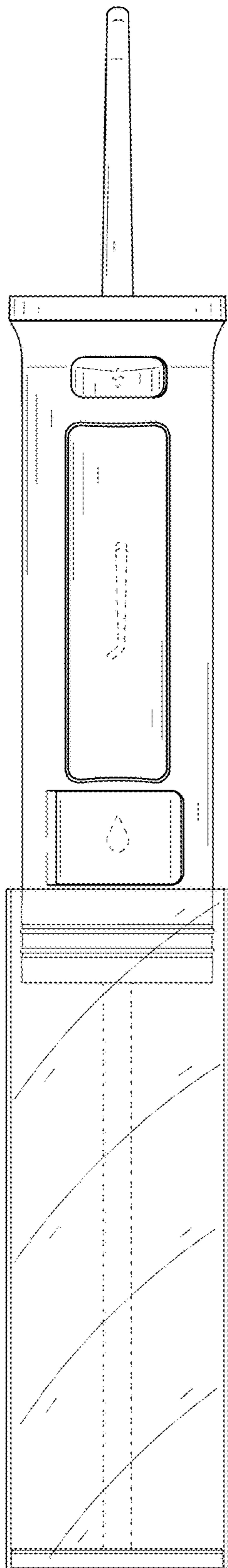


FIG. 4

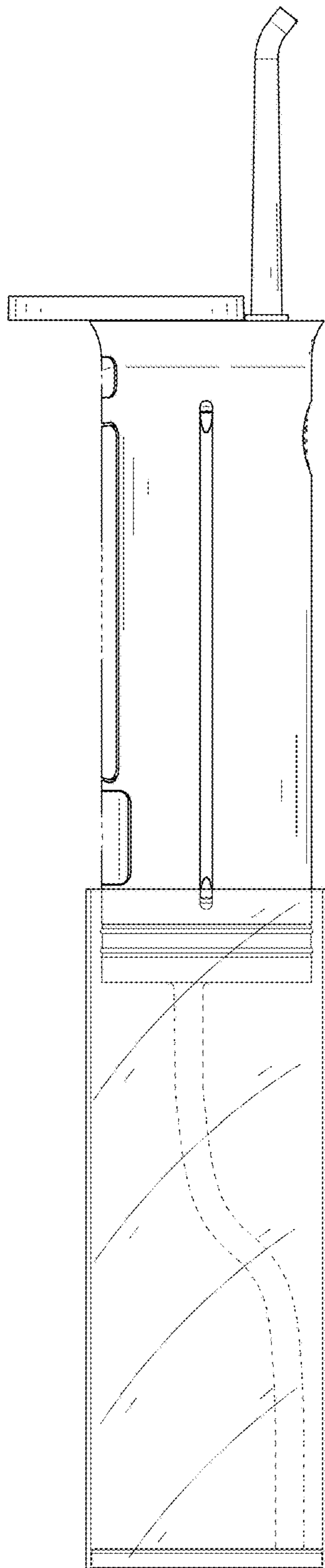


FIG. 5

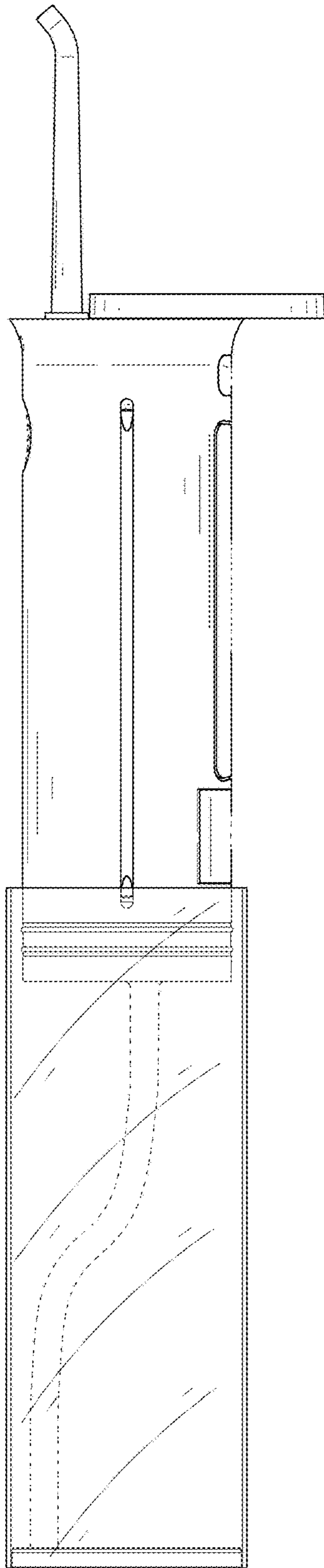


FIG. 6

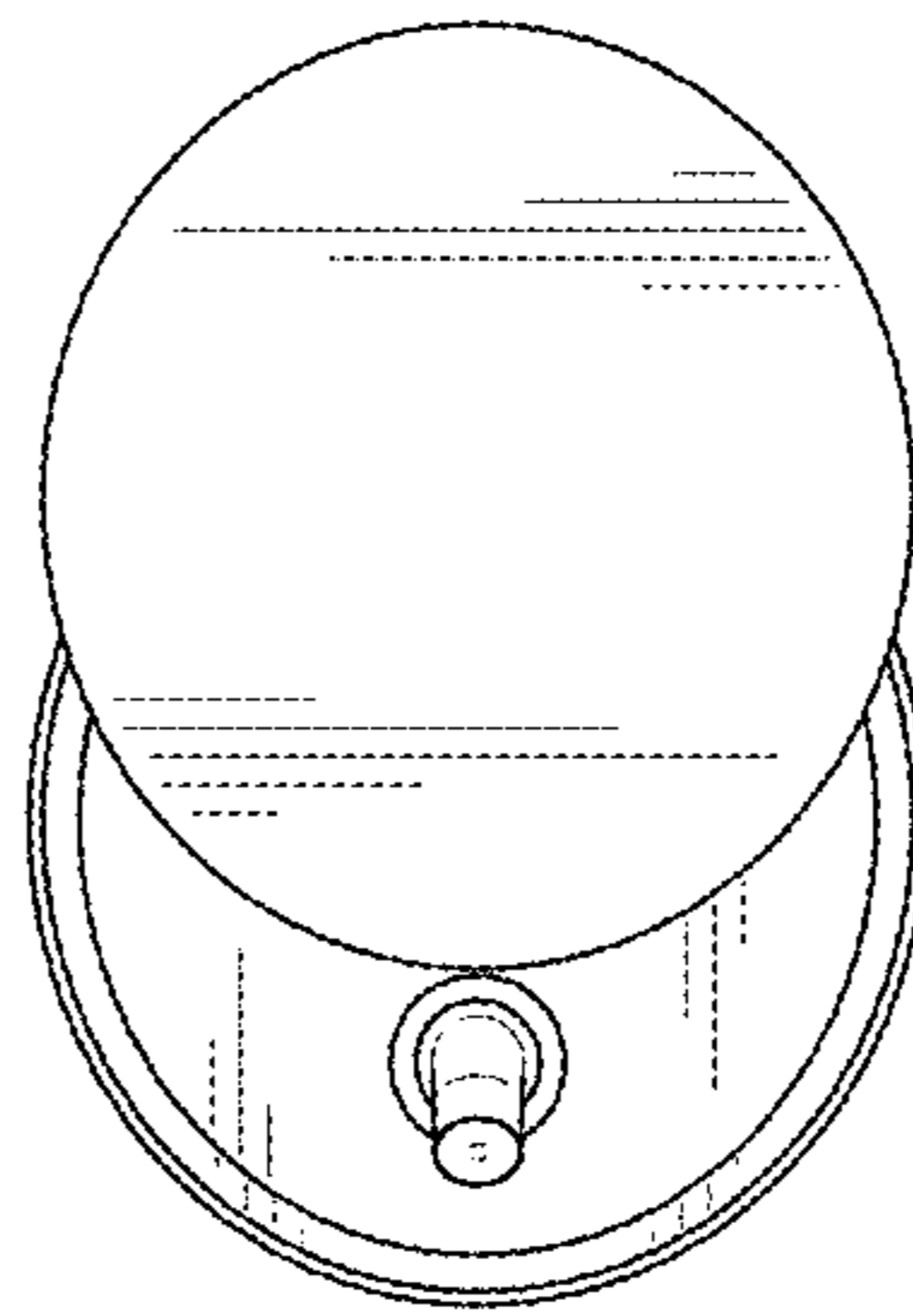


FIG. 7

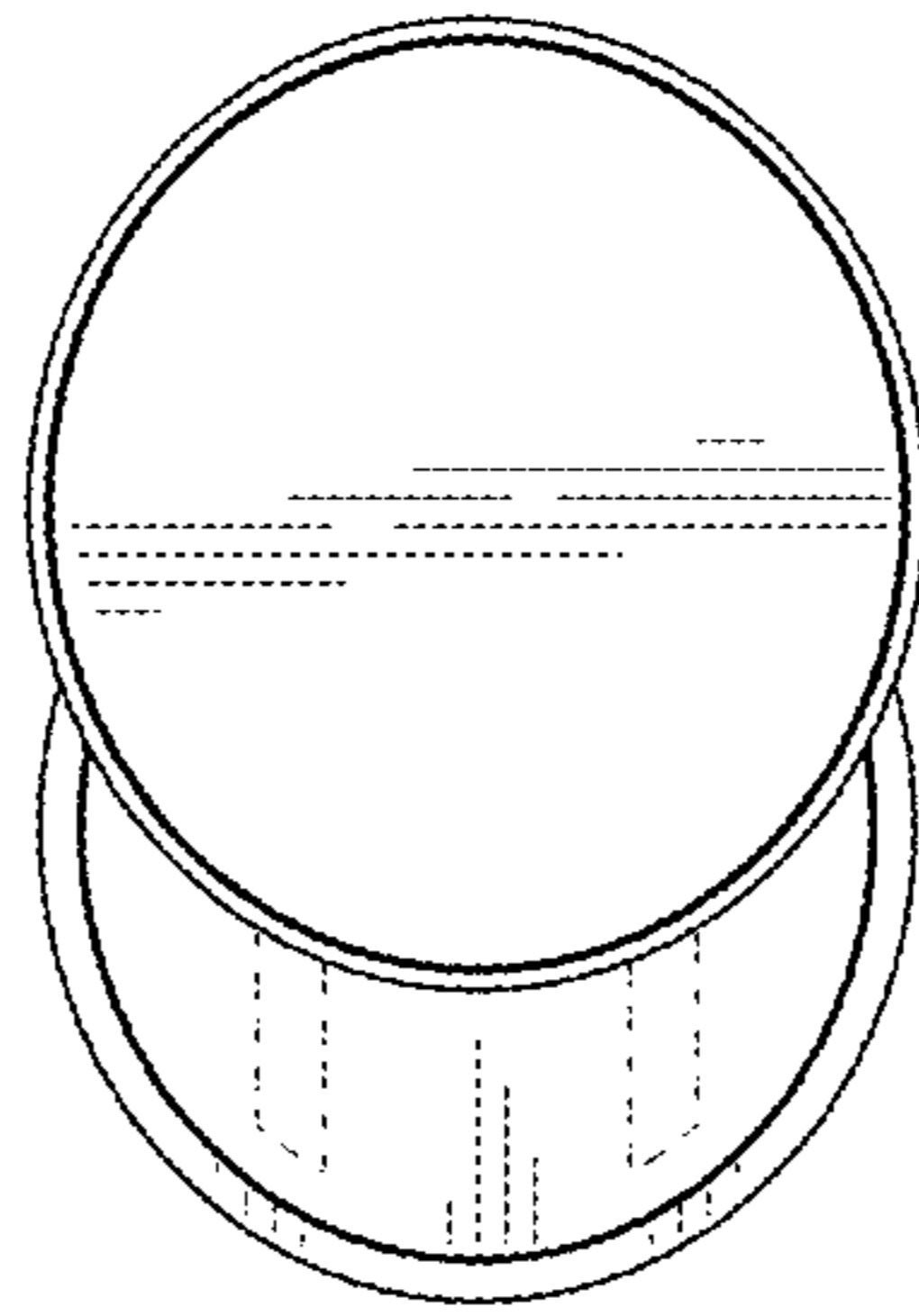


FIG. 8

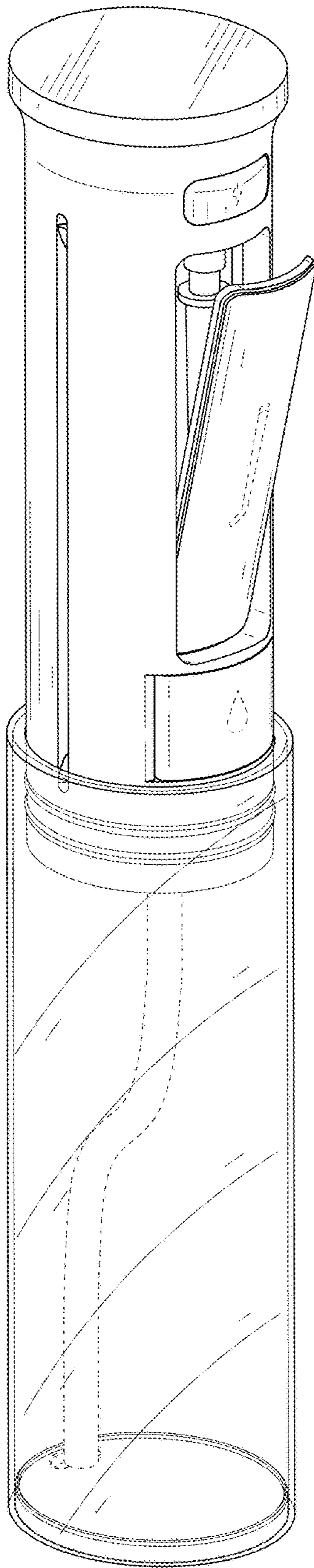


FIG. 9

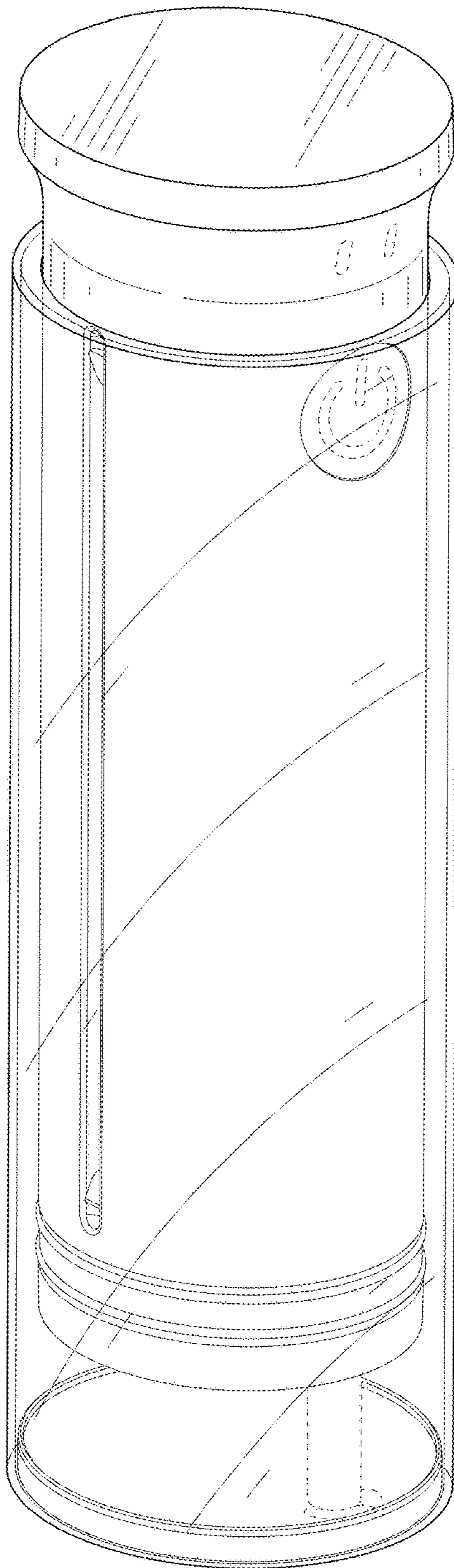


FIG. 10