



US00D944973S

(12) **United States Design Patent** (10) **Patent No.:** **US D944,973 S**
Yu (45) **Date of Patent:** **** Mar. 1, 2022**

(54) **ORAL IRRIGATOR**

(71) Applicant: **Lei Yu**, Shenzhen (CN)

(72) Inventor: **Lei Yu**, Shenzhen (CN)

(73) Assignee: **Shenzhen Yuxinyuan Electronic Technology Co., Ltd.**, Shenzhen (CN)

(**) Term: **15 Years**

(21) Appl. No.: **29/731,564**

(22) Filed: **Apr. 16, 2020**

(51) **LOC (13) Cl.** **28-03**

(52) **U.S. Cl.**
USPC **D24/111**

(58) **Field of Classification Search**
USPC D24/111, 108, 112–115, 117, 152, 176;
D4/100, 101
CPC ... A61C 15/046; A61C 15/047; A61C 15/048;
A61C 17/00; A61C 17/005; A61C 17/02;
A61C 17/0202; A61C 17/0205; A61C
17/0211; A61C 17/16; A61C 17/22; A61C
17/222; A61C 17/225; A61C 17/227;
A61C 17/28; A61C 17/32; A61C 17/34;
A61C 17/36

See application file for complete search history.

(56) **References Cited**

U.S. PATENT DOCUMENTS

D694,398 S *	11/2013	Taylor	D24/108
D815,274 S *	4/2018	Ladwig	D24/111
D819,196 S *	5/2018	Kim	D24/111
D895,791 S *	9/2020	Yuan	D24/111
D896,366 S *	9/2020	Yuan	D24/111
D907,198 S *	1/2021	Bessho	D24/111
D914,198 S *	3/2021	Li	D24/111
D922,565 S *	6/2021	Wang	D24/111

2019/0201175 A1 *	7/2019	Li	A61C 17/032
2019/0358006 A1 *	11/2019	Arias Haber	A61C 17/0202
2020/0268490 A1 *	8/2020	Bondurant	A61C 17/0202
2021/0059785 A1 *	3/2021	Yu	A61C 1/088
2021/0059801 A1 *	3/2021	Yu	A61C 17/0205

FOREIGN PATENT DOCUMENTS

WO WO D205433-001 * 11/2019

OTHER PUBLICATIONS

Water Flosser by Akunbem. Amazon. Oldest review date: Nov. 14, 2019. Retrieval date: Apr. 30, 2021. Retrieved from internet: <https://www.amazon.com/Akunbem-Professional-Rechargeable-Irrigator-Waterproof/dp/B07Z81ZLS1> (Year: 2019).*

(Continued)

Primary Examiner — Lilyana Bekic

Assistant Examiner — Lee D. Starr

(57) **CLAIM**

The ornamental design for an oral irrigator, as shown and described.

DESCRIPTION

FIG. 1 is a front, top perspective view of an oral irrigator showing my new design;

FIG. 2 is a rear, bottom perspective view thereof;

FIG. 3 is a front elevational view thereof;

FIG. 4 is a rear elevational view thereof;

FIG. 5 is a left side elevational view thereof;

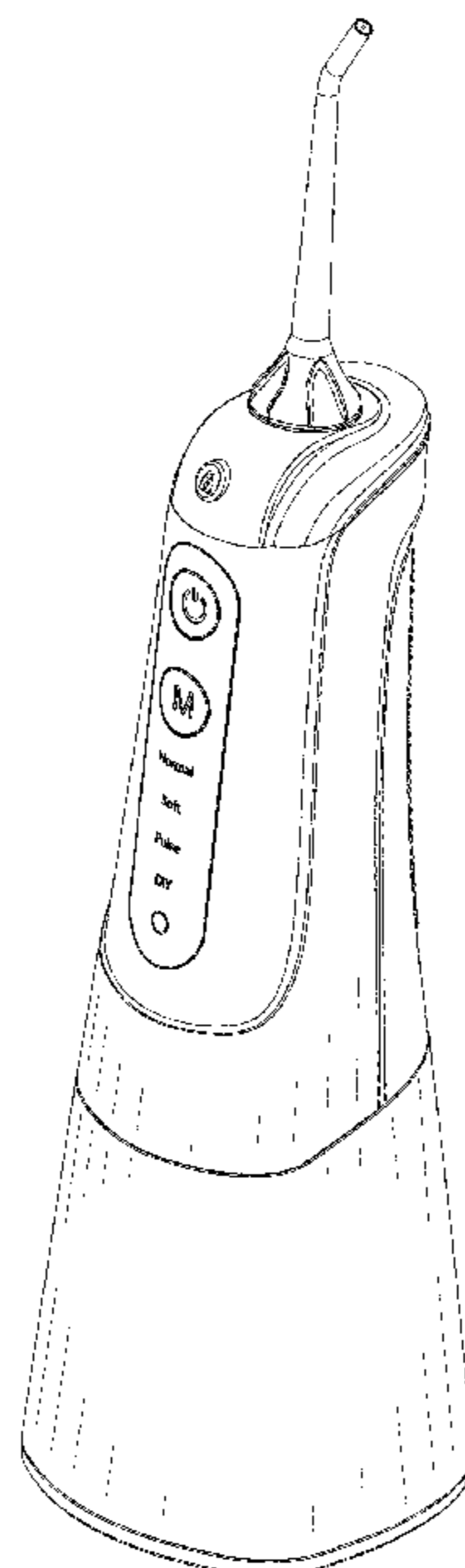
FIG. 6 is a right side elevational view thereof;

FIG. 7 is a top plan view thereof; and,

FIG. 8 is a bottom plan view thereof.

The broken lines shown in the figures are for the purpose of illustrating portions of the oral irrigator, which form no parts of the claimed design.

1 Claim, 7 Drawing Sheets



(56)

References Cited

OTHER PUBLICATIONS

Cordless Water Flosser Teeth Cleaner 300mL tank by INSMART. Amazon. Oldest review date: May 2, 2020. Retrieval date: Apr. 30, 2021. Retrieved from internet: <https://www.amazon.com/INSMART-Professional-Rechargeable-Irrigator-Waterproof/dp/B0862BTDLK> (Year: 2020).*

Cordless Water Flosser by RENPHO. Amazon. Oldest review date: Jan. 11, 2020. Retrieval date: Apr. 30, 2021. Retrieved from internet: <https://www.amazon.com/RENPHO-Cordless-Irrigator-Anti-Leak-Waterproof/dp/B082144H3N> (Year: 2020).*

Water Flosser DIY Customize Water Pressure by BerZalah. Amazon. Oldest review date: Sep. 25, 2020. Retrieval date: Apr. 30, 2021. Retrieved from internet: <https://www.amazon.com/BerZalah-Customize-Extendable-Reservoir-Waterproof/dp/B08QRYG9CW> (Year: 2020).*

Professional Cordless Water Flosser by CKSOHOT. Amazon. Oldest review date: Feb. 6, 2020. Retrieval date: Apr. 30, 2021. Retrieved from internet: <https://www.amazon.com/Cordless-CKSOHOT-Professional-Rechargeable-Irrigator/dp/B083XY7WNM> (Year: 2020).*

Cordless Water Flosser Teeth Cleaner 360 mL tank by INSMART. Amazon. Oldest review date: Aug. 23, 2020. Retrieval date: Apr. 30, 2021. Retrieved from internet: <https://www.amazon.com/Cordless-INSMART-Waterproof-rechargeable-Irrigator/dp/B089Y57W16> (Year: 2020).*

Water Flosser 2020 Upgraded by Zerhunt. Amazon. Oldest review date: Sep. 7, 2020. Retrieval date: Apr. 30, 2021. Retrieved from internet: <https://www.amazon.com/Upgraded-Rechargeable-Irrigator-Waterproof-Interchangeable/dp/B088ZKXPPD> (Year: 2020).*

* cited by examiner

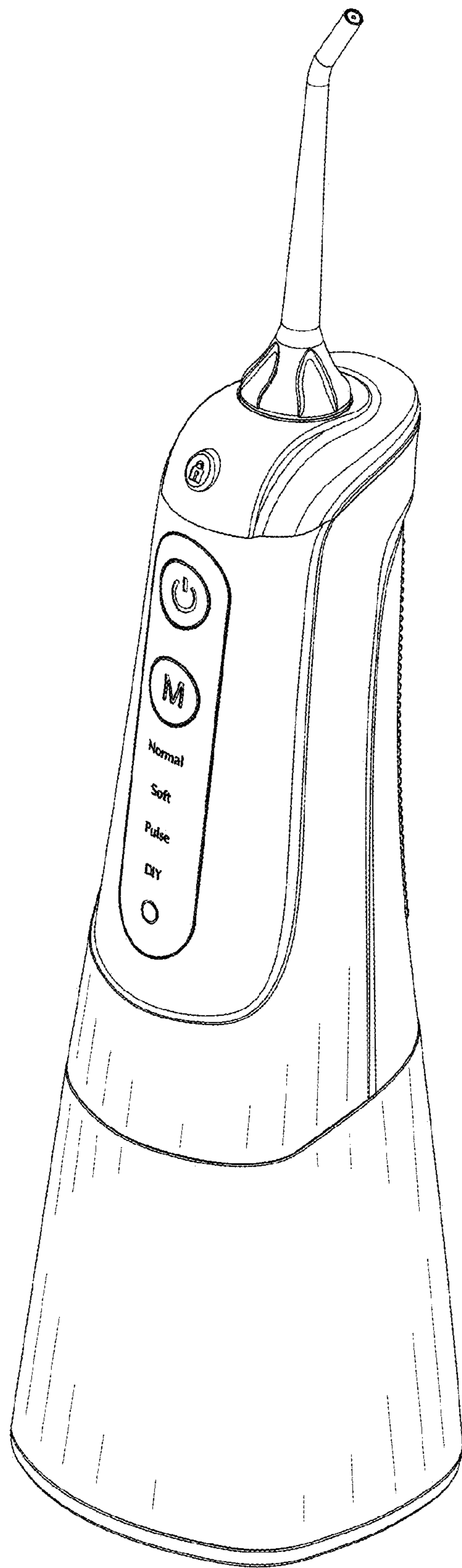


FIG. 1

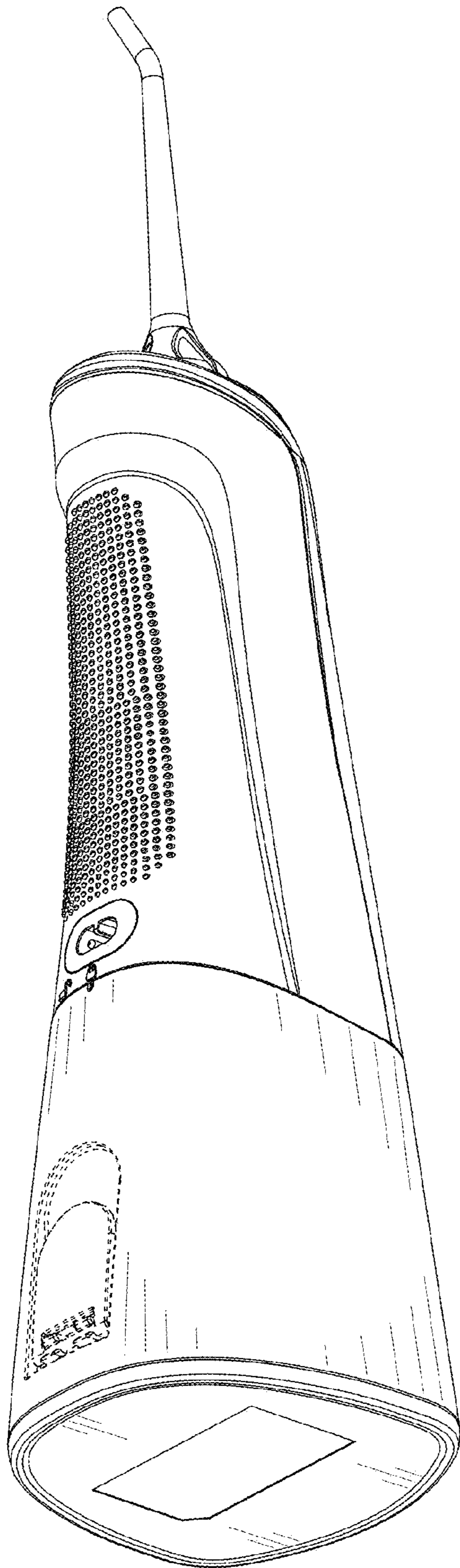


FIG. 2

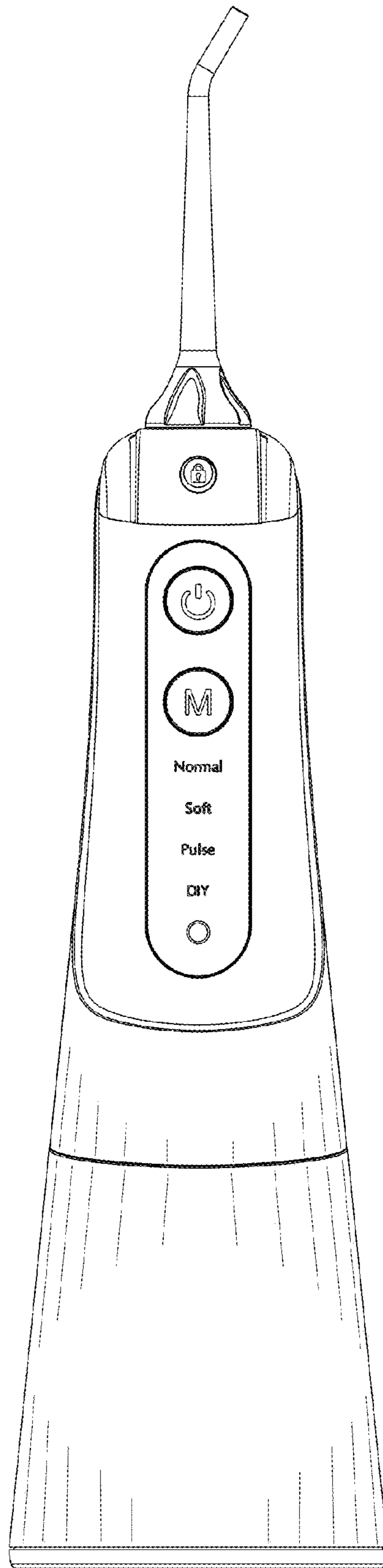


FIG. 3

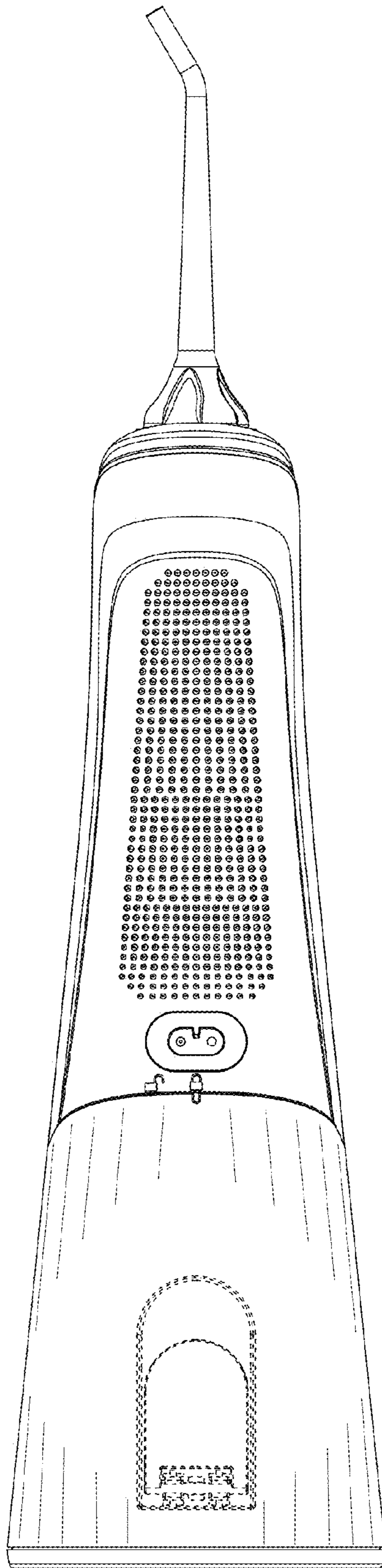


FIG. 4

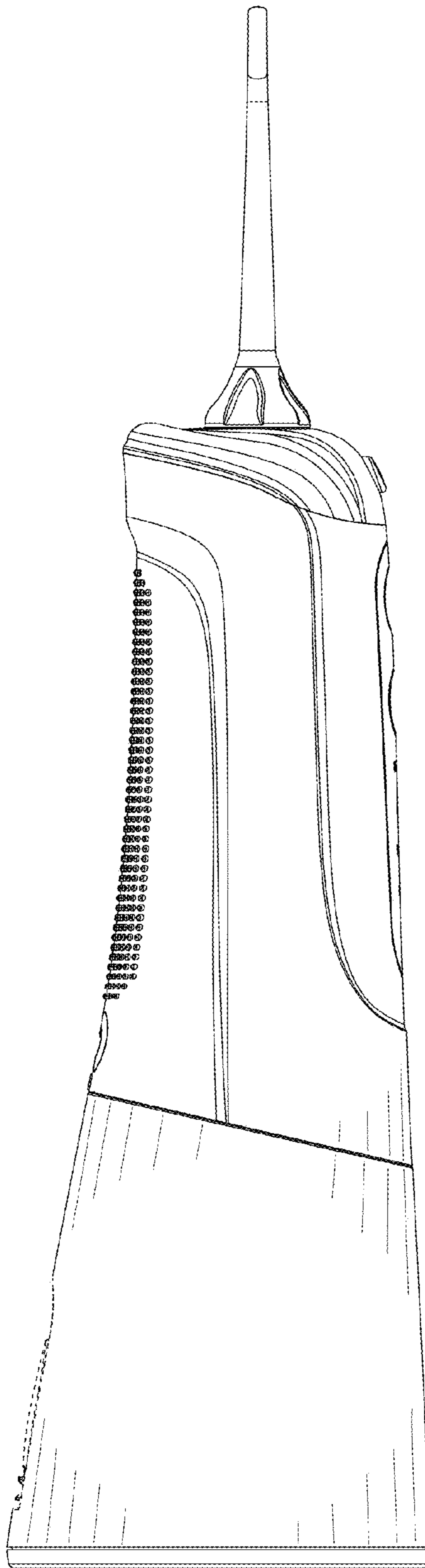


FIG. 5

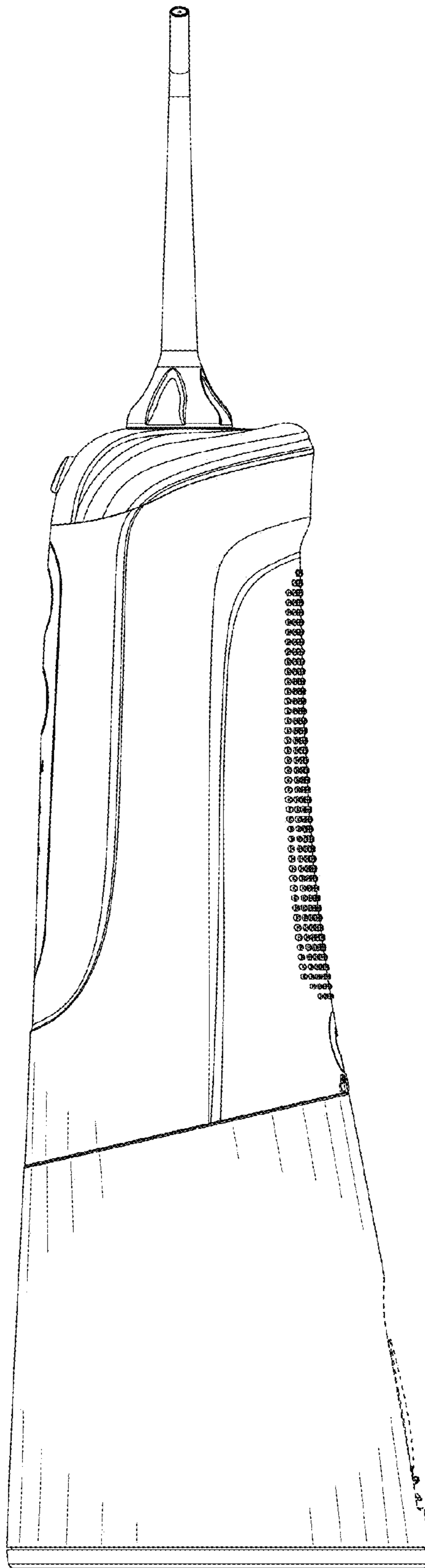


FIG. 6

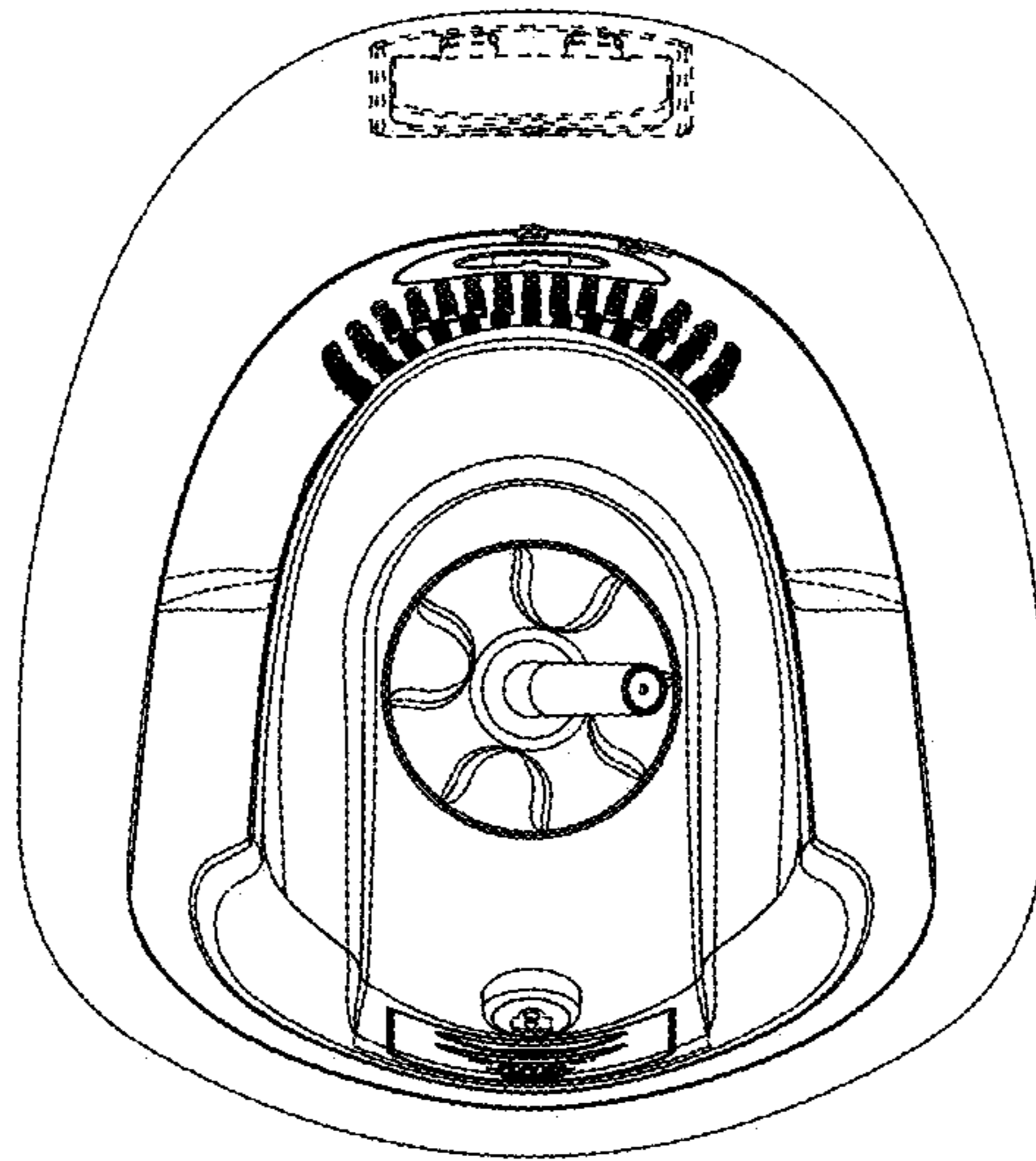


FIG. 7

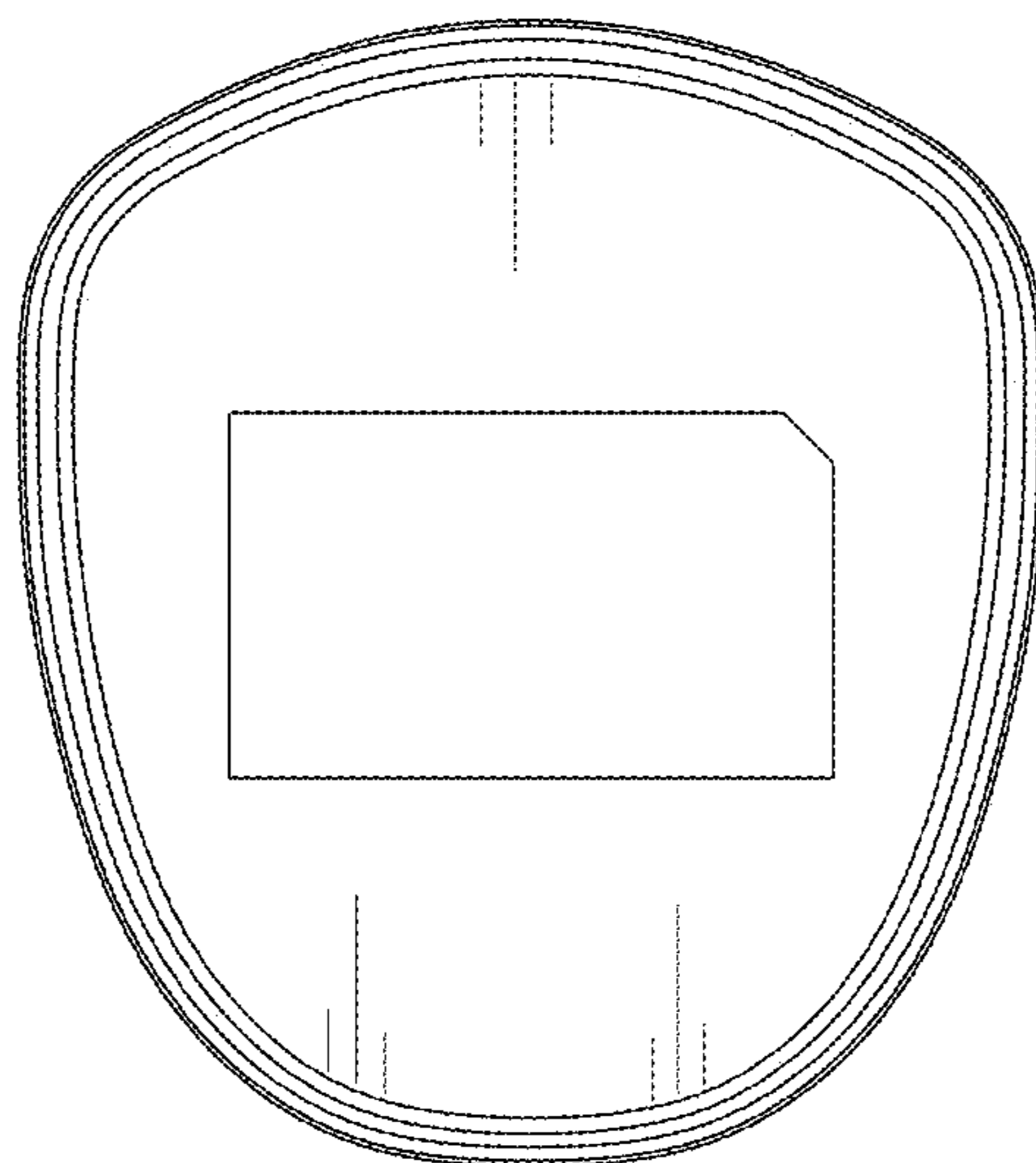


FIG. 8