



US00D944972S

(12) **United States Design Patent**
Vis

(10) **Patent No.:** **US D944,972 S**

(45) **Date of Patent:** **** Mar. 1, 2022**

(54) **SNORKEL MASK**

(71) Applicant: **DECATHLON**, Villeneuve d'Ascq (FR)

(72) Inventor: **Raphaël Vis**, Hendaye (FR)

(73) Assignee: **DECATHLON**, Villeneuve d'Ascq (FR)

(**) Term: **15 Years**

(21) Appl. No.: **29/650,708**

(22) Filed: **Jun. 8, 2018**

(30) **Foreign Application Priority Data**

Dec. 11, 2017 (EM) 004542322

(51) **LOC (13) Cl.** **21-02**

(52) **U.S. Cl.**

USPC **D24/110.2; D24/110.4**

(58) **Field of Classification Search**

USPC D24/110-110.5, 127, 129; D29/110

(Continued)

(56) **References Cited**

U.S. PATENT DOCUMENTS

D320,870 S 10/1991 Asbury

D335,322 S 5/1993 Jones

(Continued)

FOREIGN PATENT DOCUMENTS

EM 002943266 1/2016

FR 272050 11/1995

OTHER PUBLICATIONS

Easybreath 500 Surface Snorkeling Mask—Subea. Decathlon Malaysia. YouTube.com. Posted date: Nov. 26, 2020. Retrieved from Internet: <https://www.youtube.com/watch?v=OOA23Fx-otA> (Year: 2020).*

(Continued)

Primary Examiner — Lilyana Bekic

(74) *Attorney, Agent, or Firm* — Fross, Zelnick, Lehrman & Zissu PC; Charles T. J. Weigell, Esq.

(57) **CLAIM**

The ornamental design for a snorkel mask, as shown and described.

DESCRIPTION

FIG. 1 is a front perspective view of a first embodiment of the snorkel mask, showing my new design;

FIG. 2 is a front view thereof;

FIG. 3 is a back view thereof;

FIG. 4 is a right side view thereof, with the left side view being a mirror image;

FIG. 5 is a top view thereof;

FIG. 6 is a bottom view thereof;

FIG. 7 is a back perspective view thereof;

FIG. 8 is a front perspective view of a second embodiment of the snorkel mask;

FIG. 9 is a front view thereof;

FIG. 10 is a back view thereof;

FIG. 11 is a back perspective view thereof;

FIG. 12 is a bottom view thereof;

FIG. 13 is a top view thereof;

FIG. 14 is a right side view thereof, with the left side view being a mirror image;

FIG. 15 is a front perspective view of a third embodiment of the snorkel mask;

FIG. 16 is a front view thereof;

FIG. 17 is a left side view thereof;

FIG. 18 is a right side view thereof;

FIG. 19 is a back perspective view thereof;

FIG. 20 is a top view thereof; and,

FIG. 21 is a bottom view thereof.

Diagonal shading lines represent transparency or translucency. Any internal structures not visible through these surfaces are not part of the claimed design.

1 Claim, 21 Drawing Sheets



(58) **Field of Classification Search**
 CPC B63C 11/205; B63C 11/16; B63C 11/186;
 B63C 11/12
 See application file for complete search history.

(56) **References Cited**

U.S. PATENT DOCUMENTS

D503,498 S	3/2005	Canavan	
D511,865 S	11/2005	Canavan	
D512,187 S	11/2005	Canavan	
D552,233 S	10/2007	Trujillo	
D574,486 S	8/2008	Betz	
D582,547 S	12/2008	Ungar	
D593,197 S	5/2009	Todd	
D602,154 S	10/2009	Ono	
8,225,421 B1	7/2012	Froissard	
D668,327 S	10/2012	Sumner	
D668,758 S	10/2012	Hall	
D775,722 S	1/2017	Caprice	
D802,220 S	11/2017	Farias	
D838,358 S *	1/2019	Xu	D24/110.2
D839,408 S *	1/2019	Hu	D24/110.2
D849,932 S *	5/2019	Caprice	D24/110.2
D851,747 S *	6/2019	Hu	D24/110
D852,265 S *	6/2019	Liao	D24/110.2
D852,266 S *	6/2019	Liao	D24/110.2
D859,642 S *	9/2019	Xiong	D24/110.2
D860,436 S *	9/2019	Chen	D24/110.2
D863,543 S *	10/2019	Hu	D24/110.2
D869,639 S *	12/2019	Liao	D24/110.2
D869,640 S *	12/2019	Fan	D24/110.2
D870,267 S *	12/2019	Lin	D24/110.2
D871,570 S *	12/2019	Pang	D24/110.2
D873,991 S *	1/2020	Chen	D24/110.2
D875,923 S *	2/2020	Cai	D24/110.2
D878,547 S *	3/2020	Hu	D24/110.2
D881,378 S *	4/2020	Barbagelata	D24/110.2
D882,756 S *	4/2020	Lin	D24/110.2
2001/0013346 A1	8/2001	Lemke	
2005/0051164 A1	3/2005	Hutter	

2006/0037607 A1	2/2006	Trujillo	
2006/0048777 A1	3/2006	Brookman	
2013/0074835 A1	3/2013	Newhouse	
2016/0127716 A1	5/2016	Ramiro	
2016/0297505 A1	10/2016	Caprice	
2017/0096204 A1	4/2017	Cucchia	
2017/0334531 A1	11/2017	Shiue	
2018/0065719 A1 *	3/2018	Liao	B63C 11/14
2018/0297676 A1 *	10/2018	Zheng	B63C 11/14
2019/0023366 A1 *	1/2019	Liao	B63C 11/205
2019/0039702 A1 *	2/2019	Gamberini	B63C 11/12
2019/0118915 A1 *	4/2019	Xiao	B63C 11/16
2019/0118918 A1 *	4/2019	Xiao	B63C 11/16
2019/0224506 A1 *	7/2019	Palmieri	F16K 15/144
2019/0329853 A1 *	10/2019	Zheng	B63C 11/16
2020/0031441 A1 *	1/2020	YiHong	B63C 11/16
2020/0094928 A1 *	3/2020	Song	B63C 11/12
2020/0102059 A1 *	4/2020	Wung	B63C 11/16
2020/0130792 A1 *	4/2020	Huang	B63C 11/16
2020/0189700 A1 *	6/2020	Vaccaro	B63C 11/16
2021/0086882 A1 *	3/2021	Grimaldi	A63B 33/00
2021/0129958 A1 *	5/2021	Sorigue	B63C 11/16

OTHER PUBLICATIONS

RKD Snorkel Mask; Available as of May 12, 2017.
 H2O Ninja Mask; Available as of Apr. 17, 2017.
 Azoito Snorkel Mask; Available as of May 25, 2017.
 Ocean Reef Aria Full Face Snorkel Mask; Available as of May 18, 2017.
 Datafly Seaview 180 Snorkeling Mask; Available as of Dec. 19, 2017.
 The Sharper Image Full Face Mask and Snorkel; Available as of Dec. 29, 2017.
 Dick's Sporting Goods Inc. Head Sea Vu Dry Snorkeling Mask; Available as of Dec. 12, 2017.
 Atlin Snorkel Mask; Available as of Dec. 29, 2017.
 U.S. Appl. No. 29/489,967; Inventor: Cedric Caprice; Applicant: Decathlon S.A.; filed Oct. 24, 2016 (This application is a Continuation of U.S. Appl. No. 29/489,967, U.S. Pat. No. D775,722).

* cited by examiner

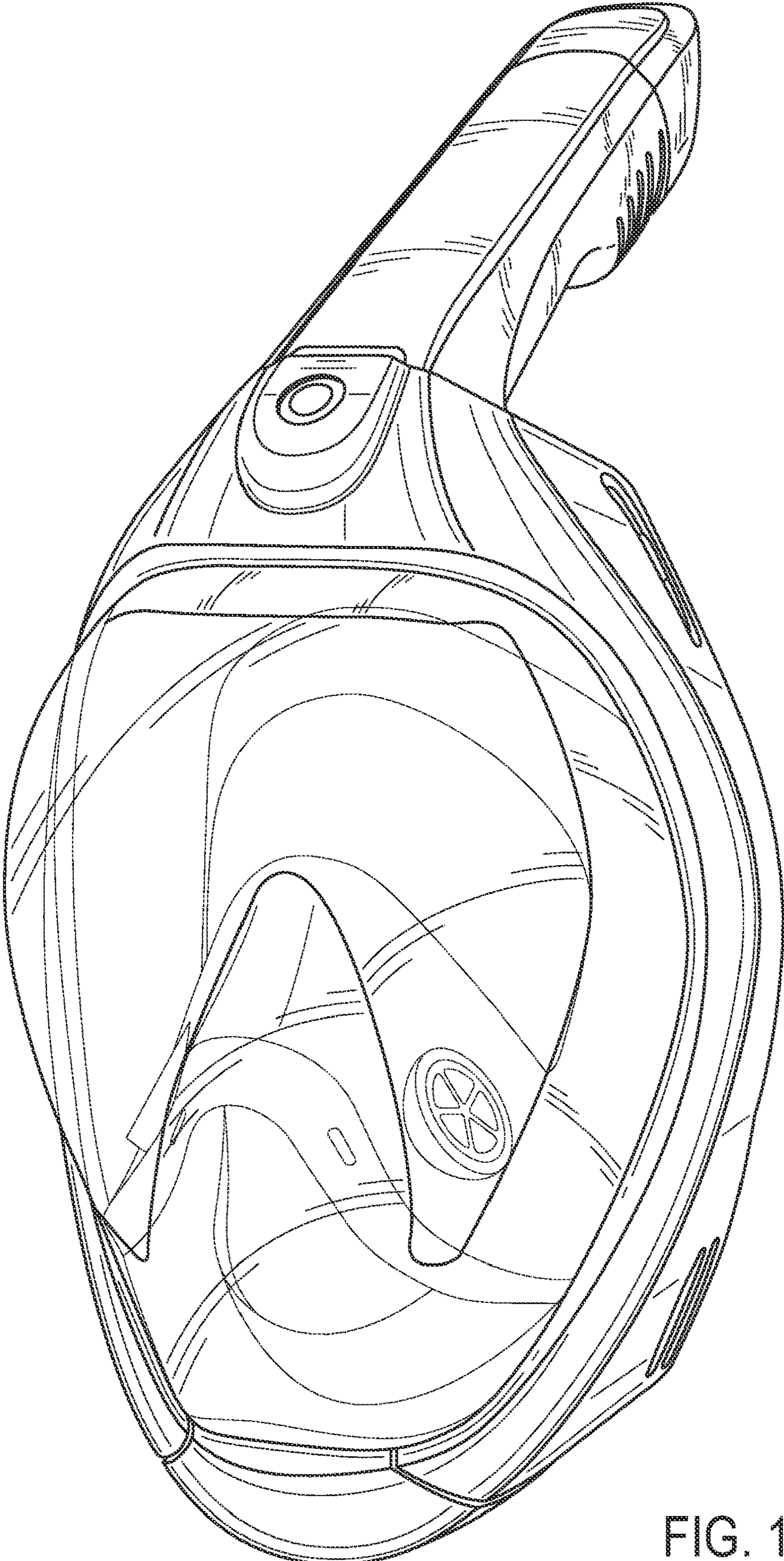


FIG. 1

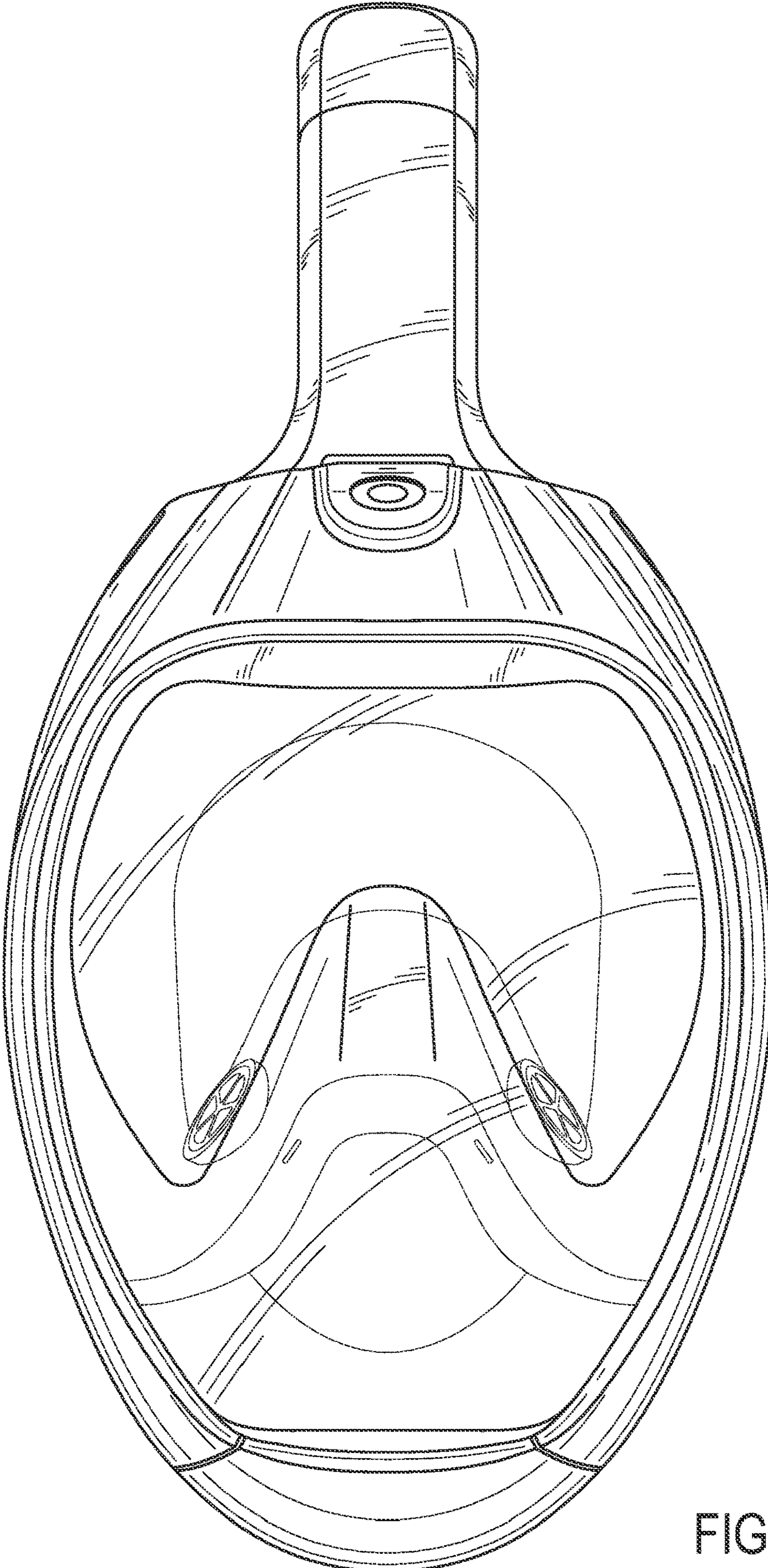


FIG. 2

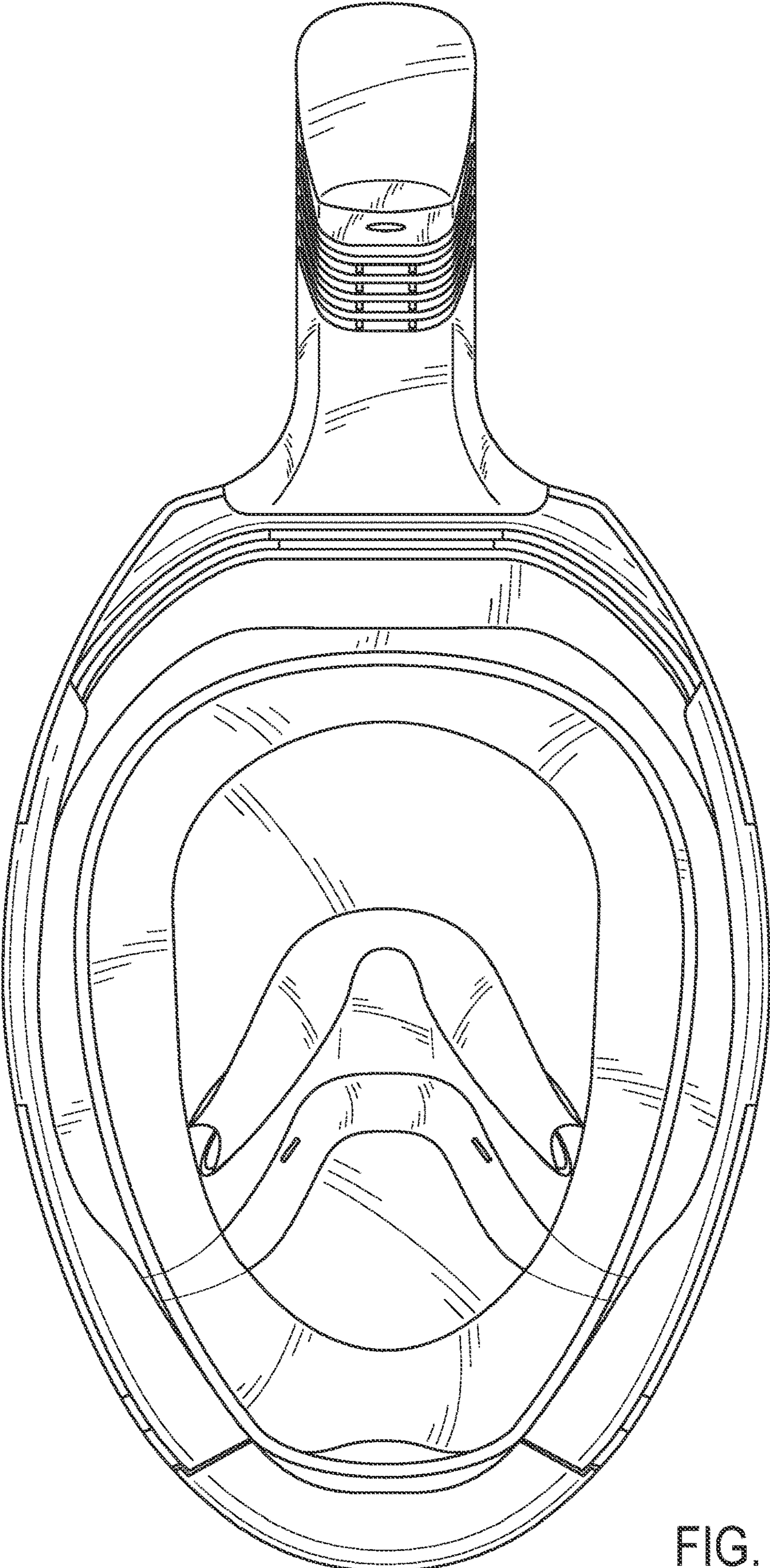


FIG. 3

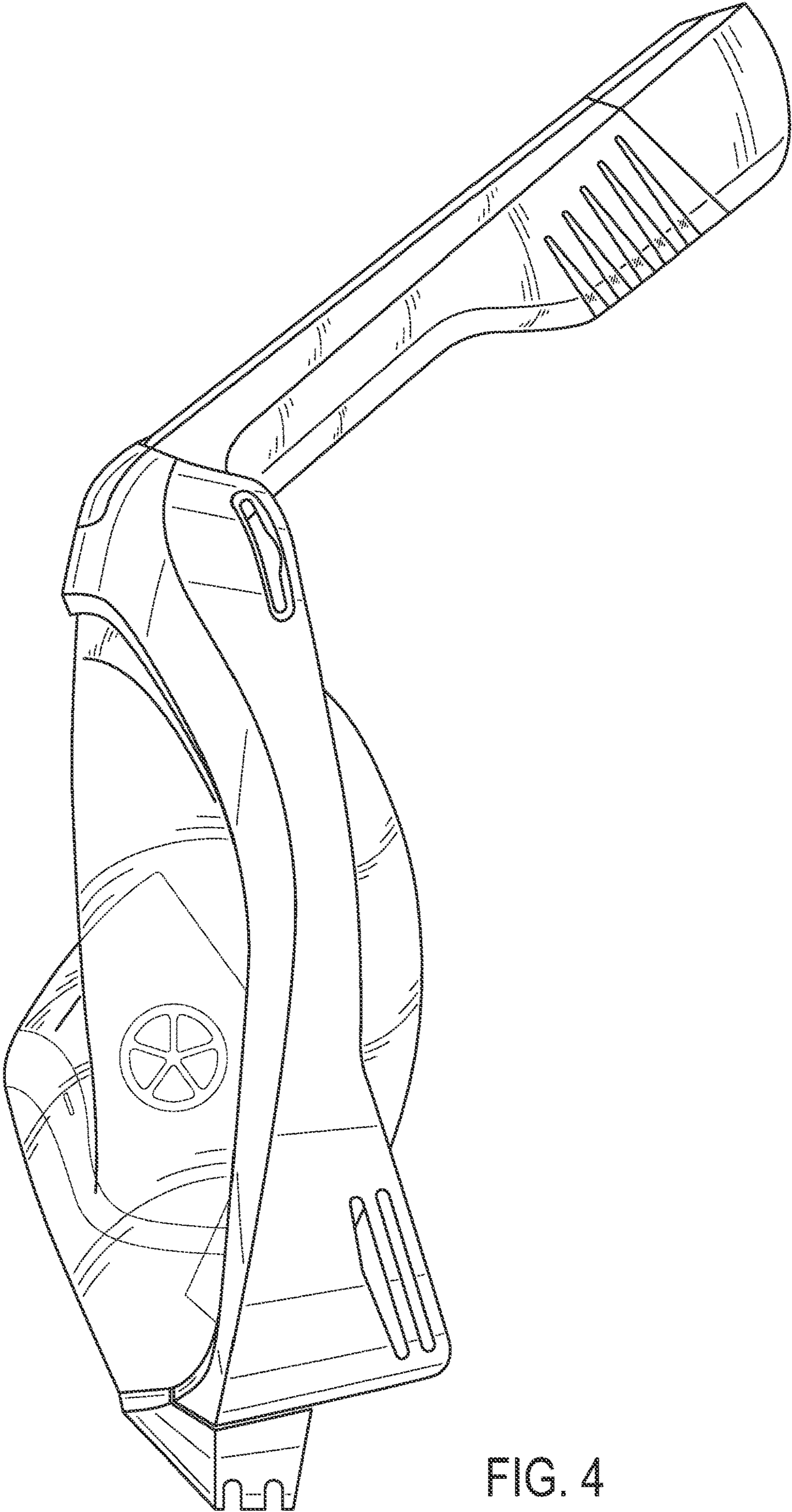


FIG. 4

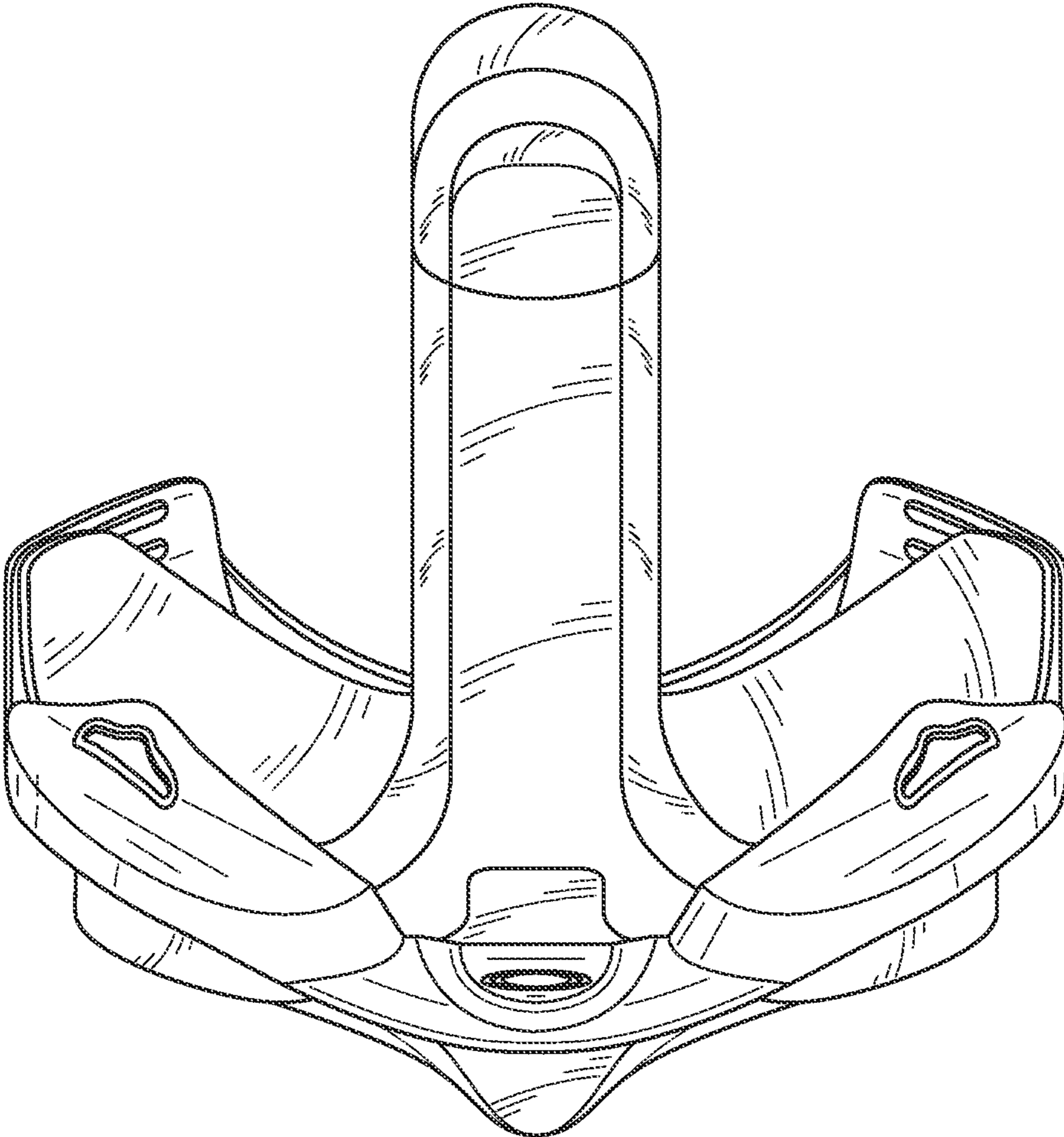


FIG. 5

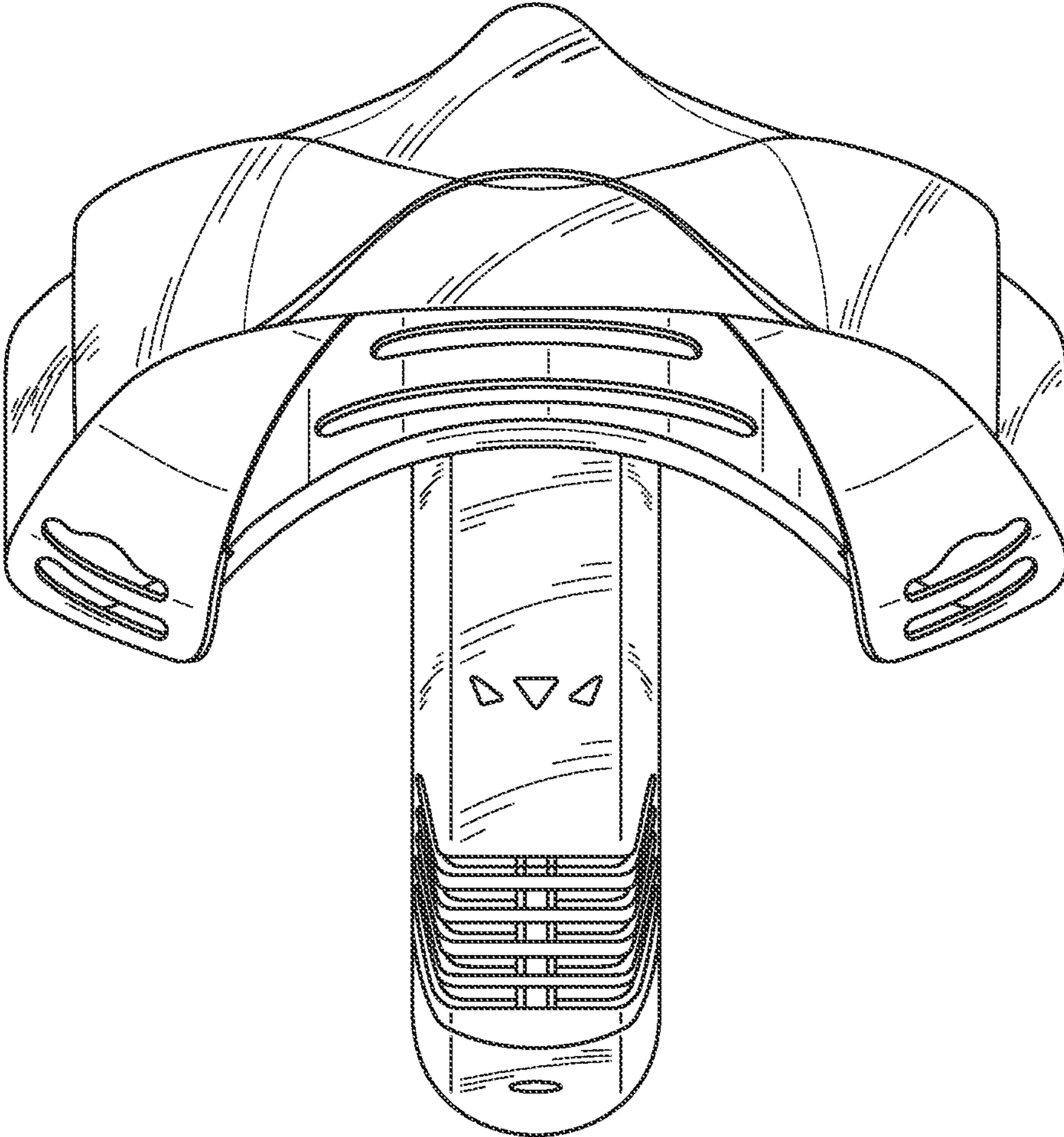


FIG. 6

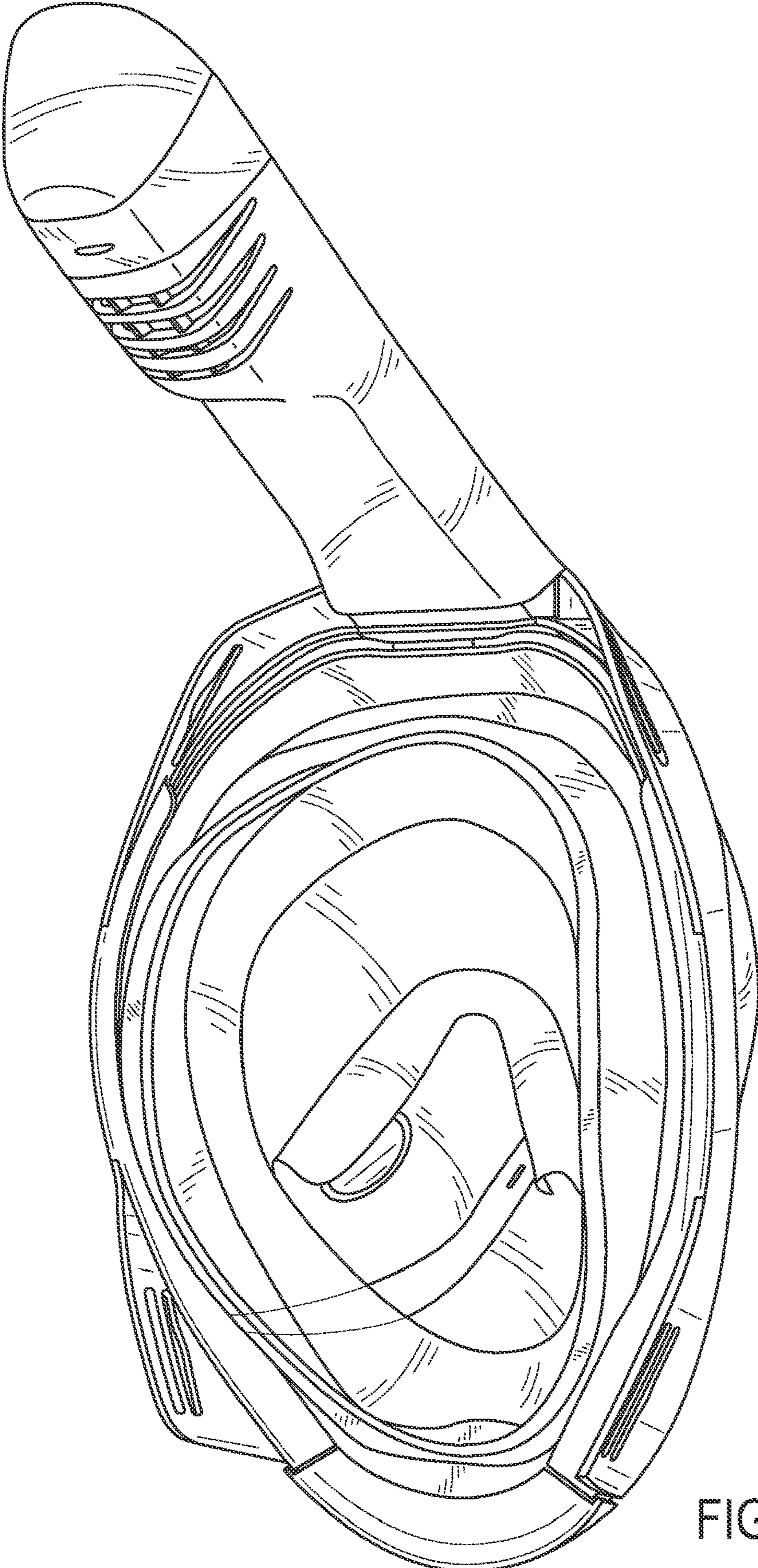


FIG. 7



FIG. 8

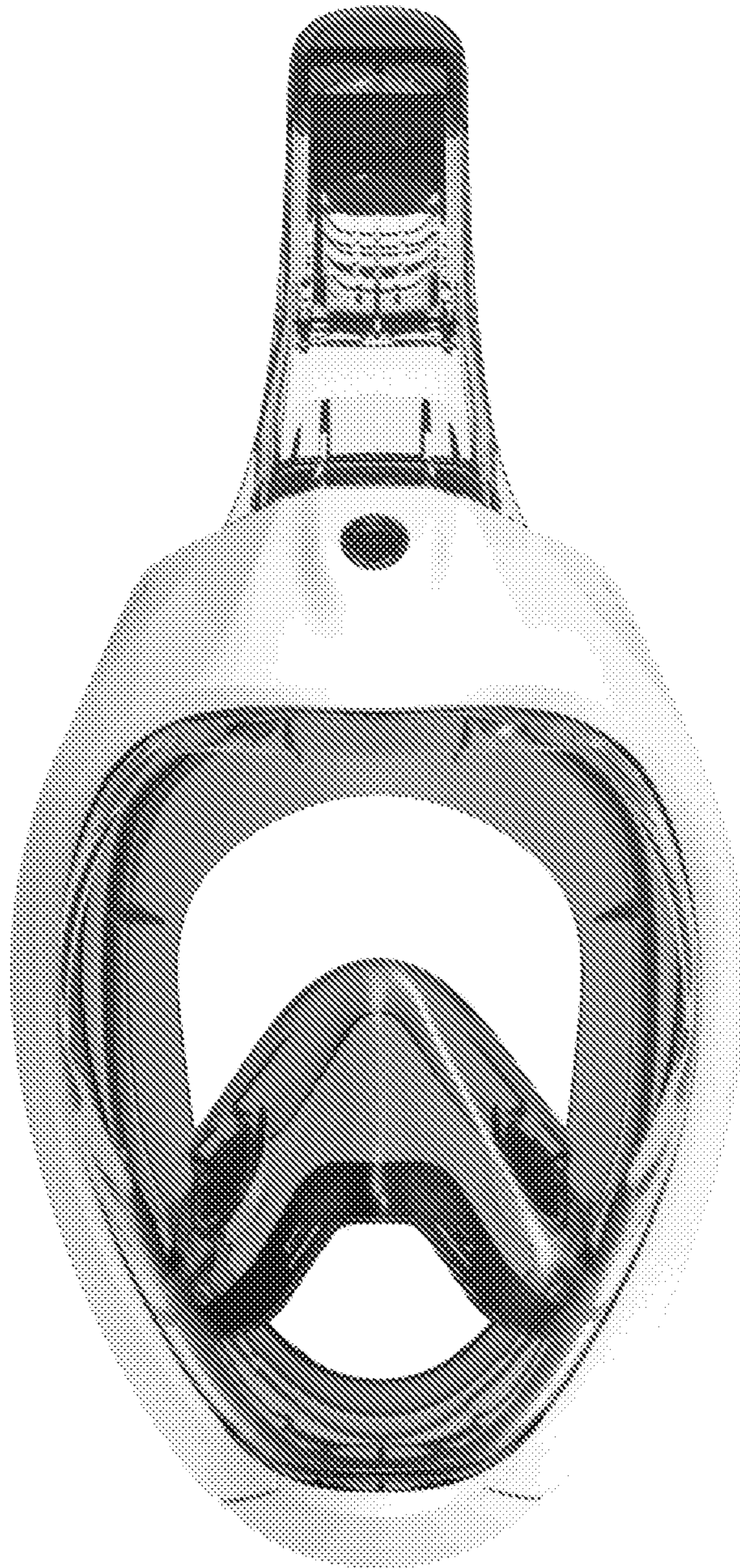


FIG. 9

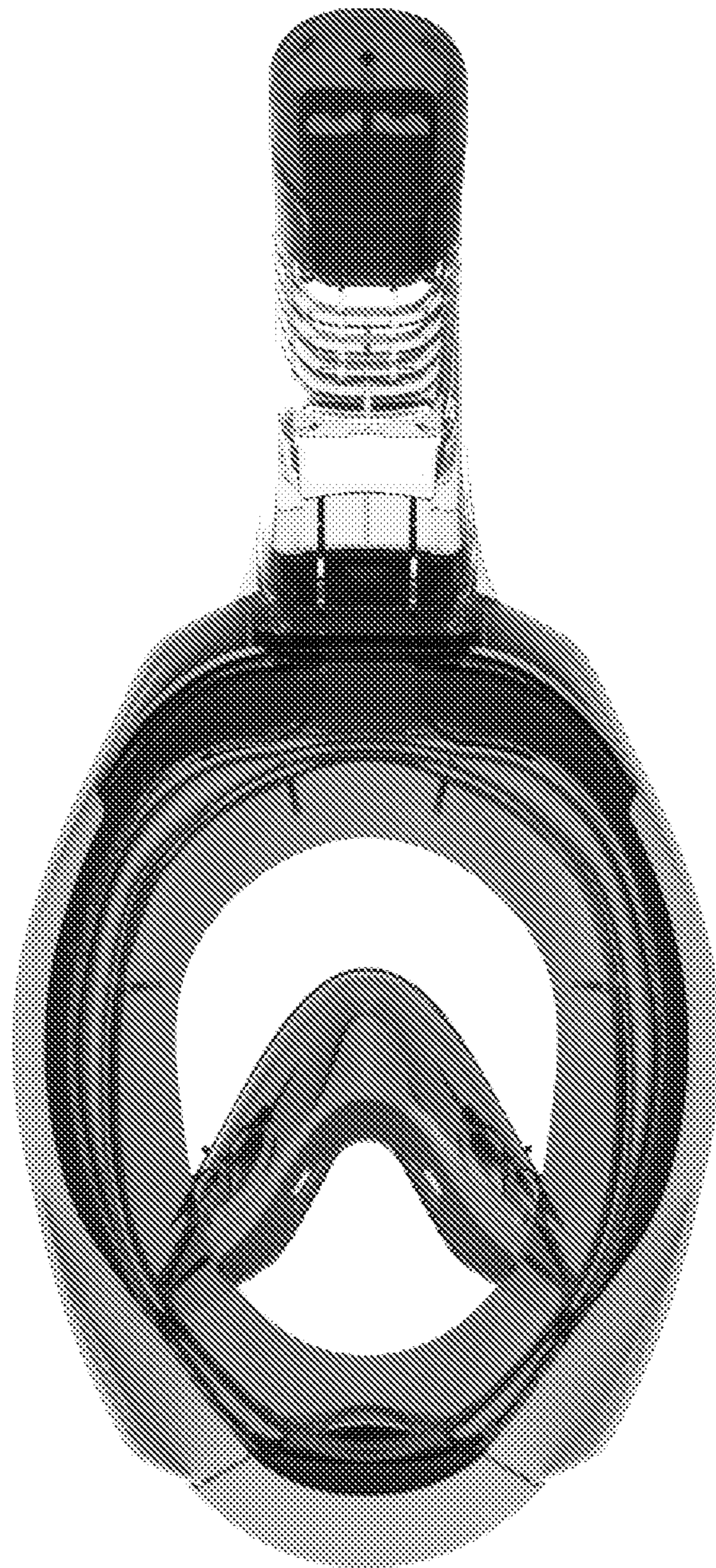


FIG. 10

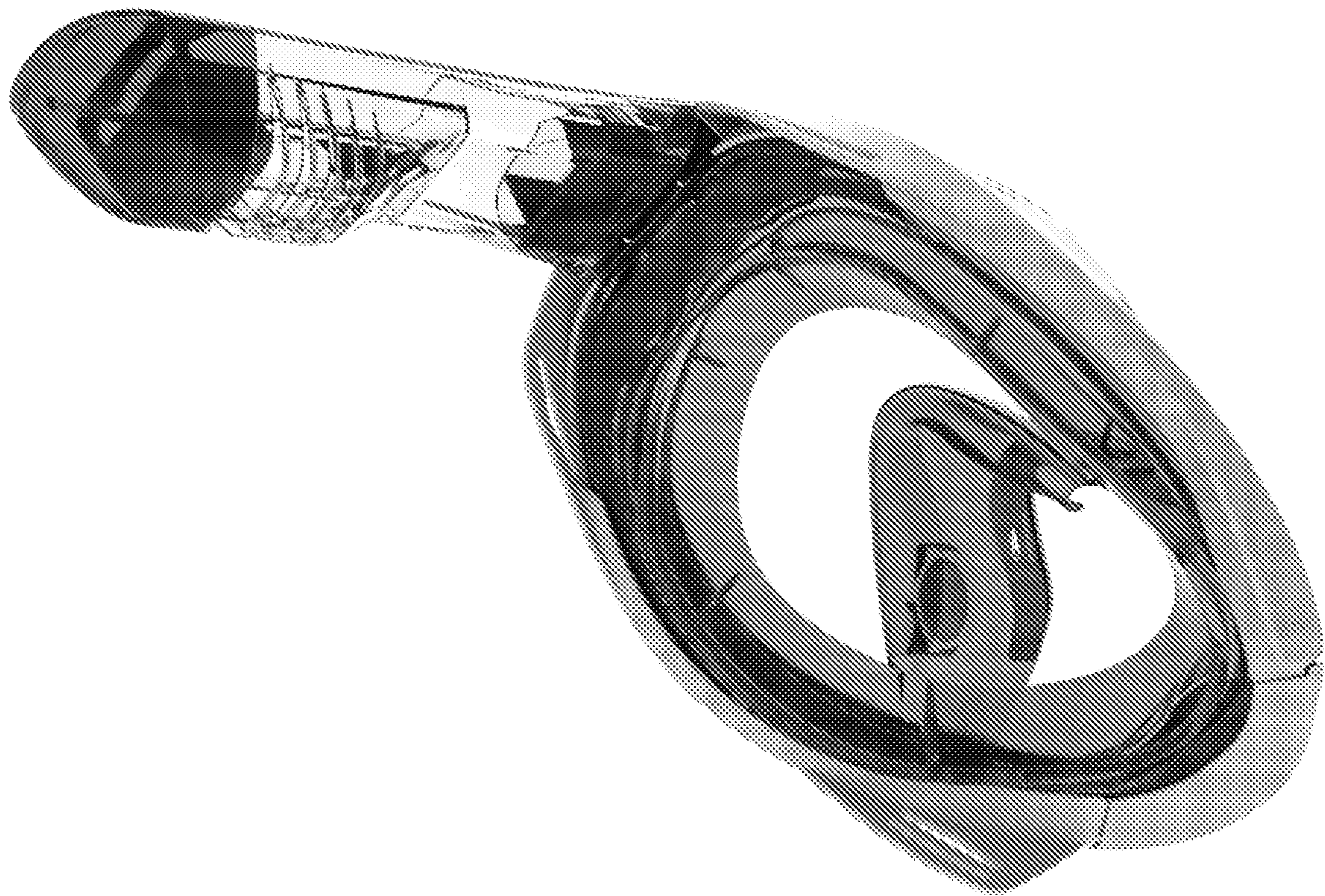


FIG. 11



FIG. 12

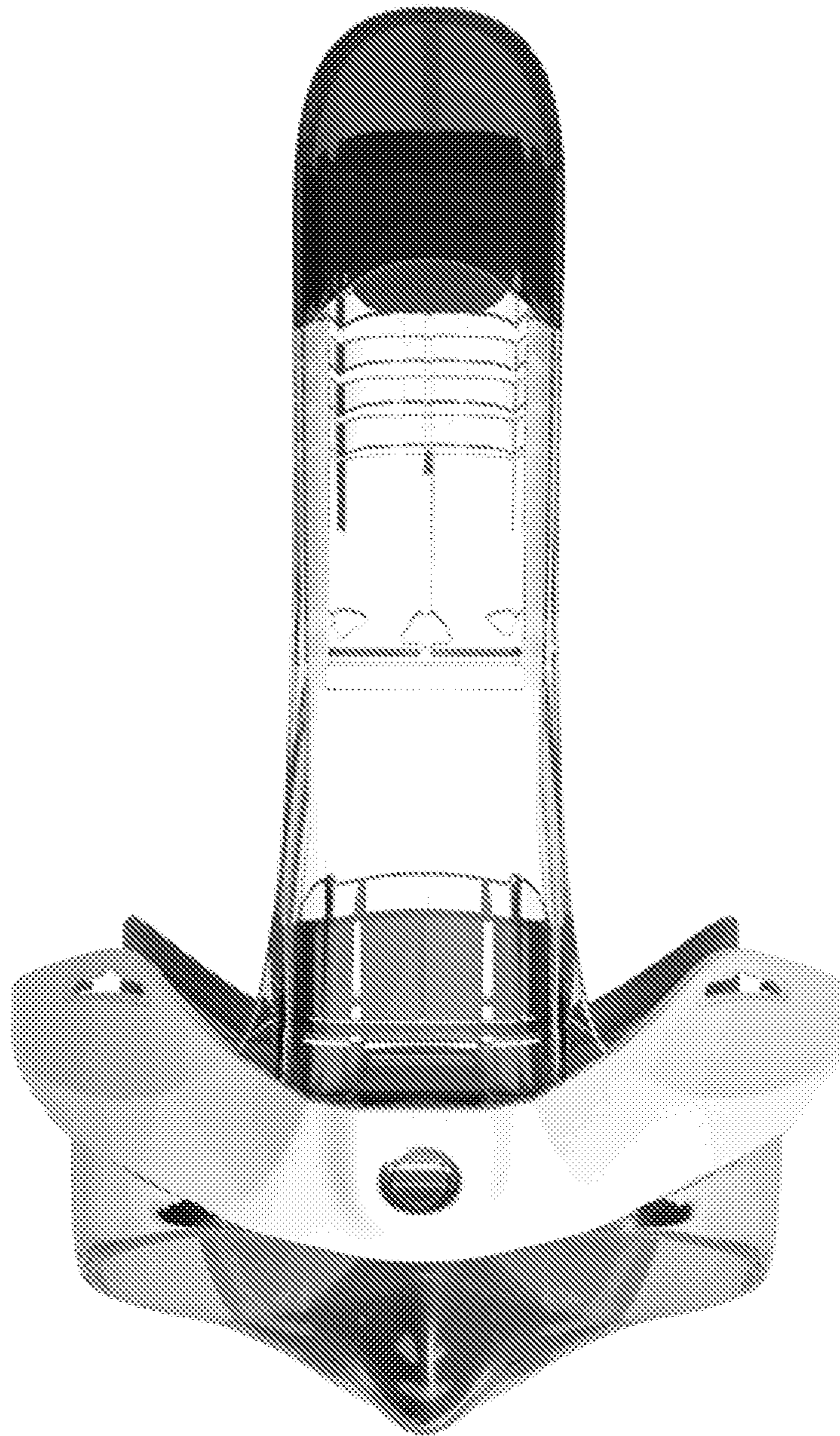


FIG. 13

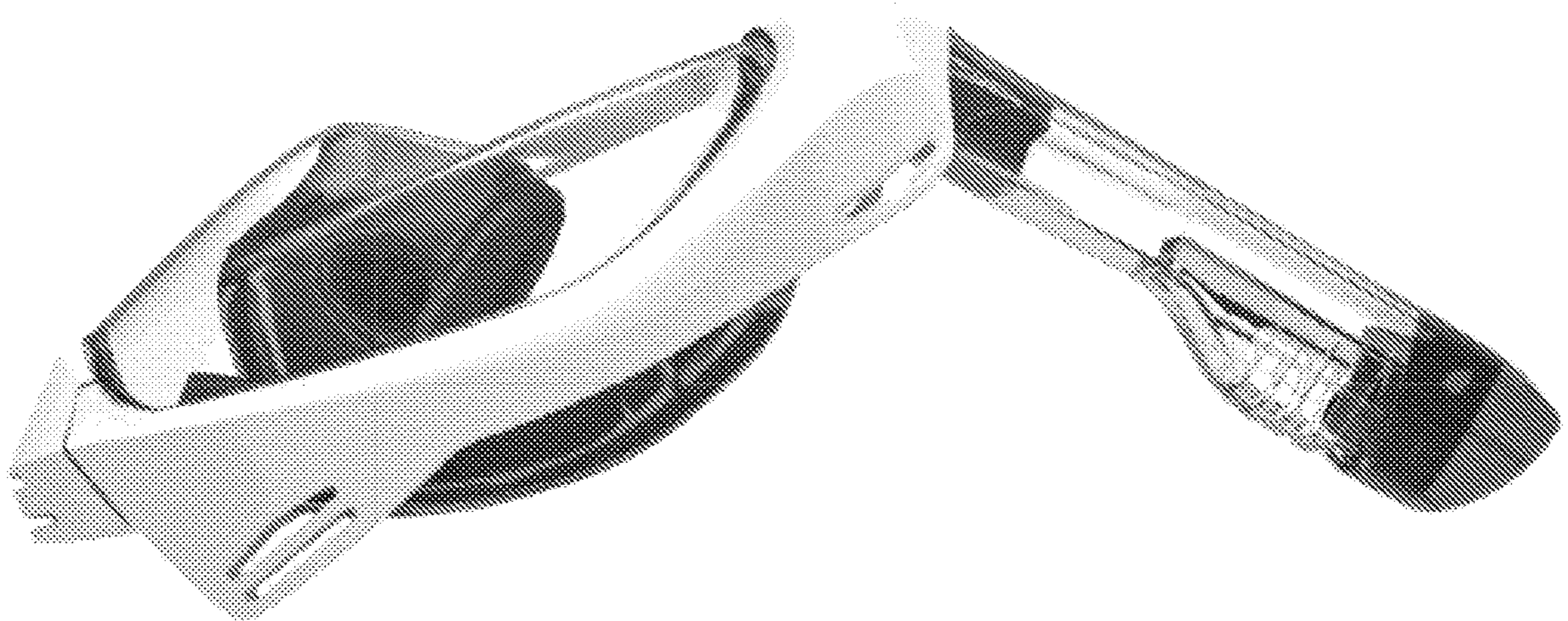


FIG. 14



FIG. 15

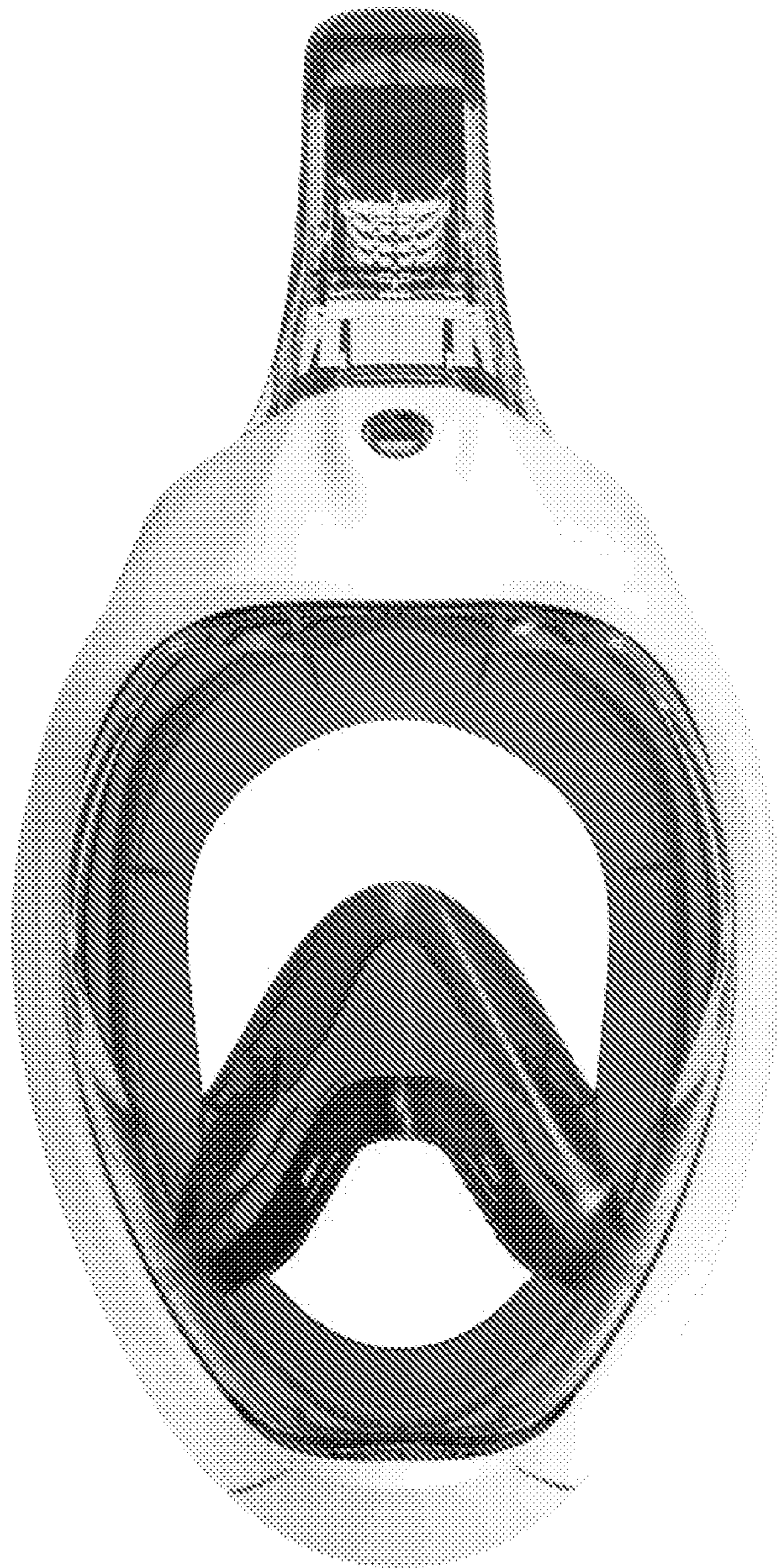


FIG. 16

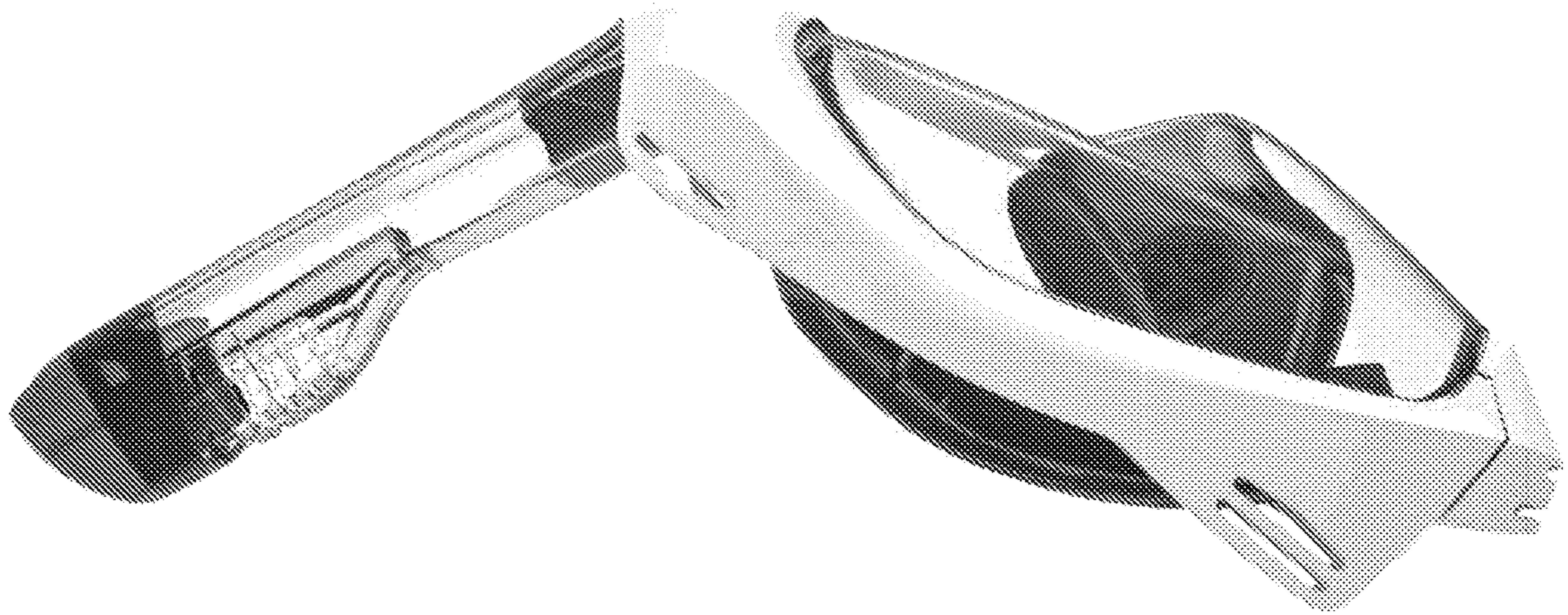


FIG. 17

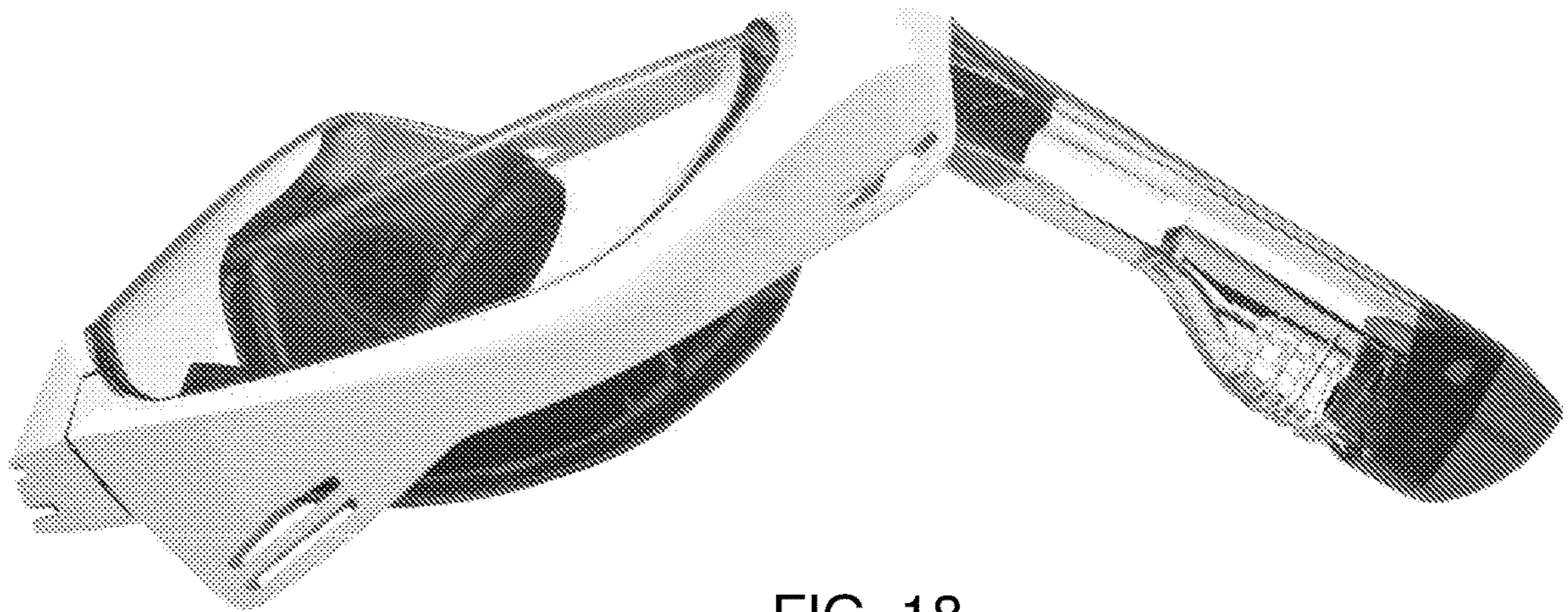


FIG. 18

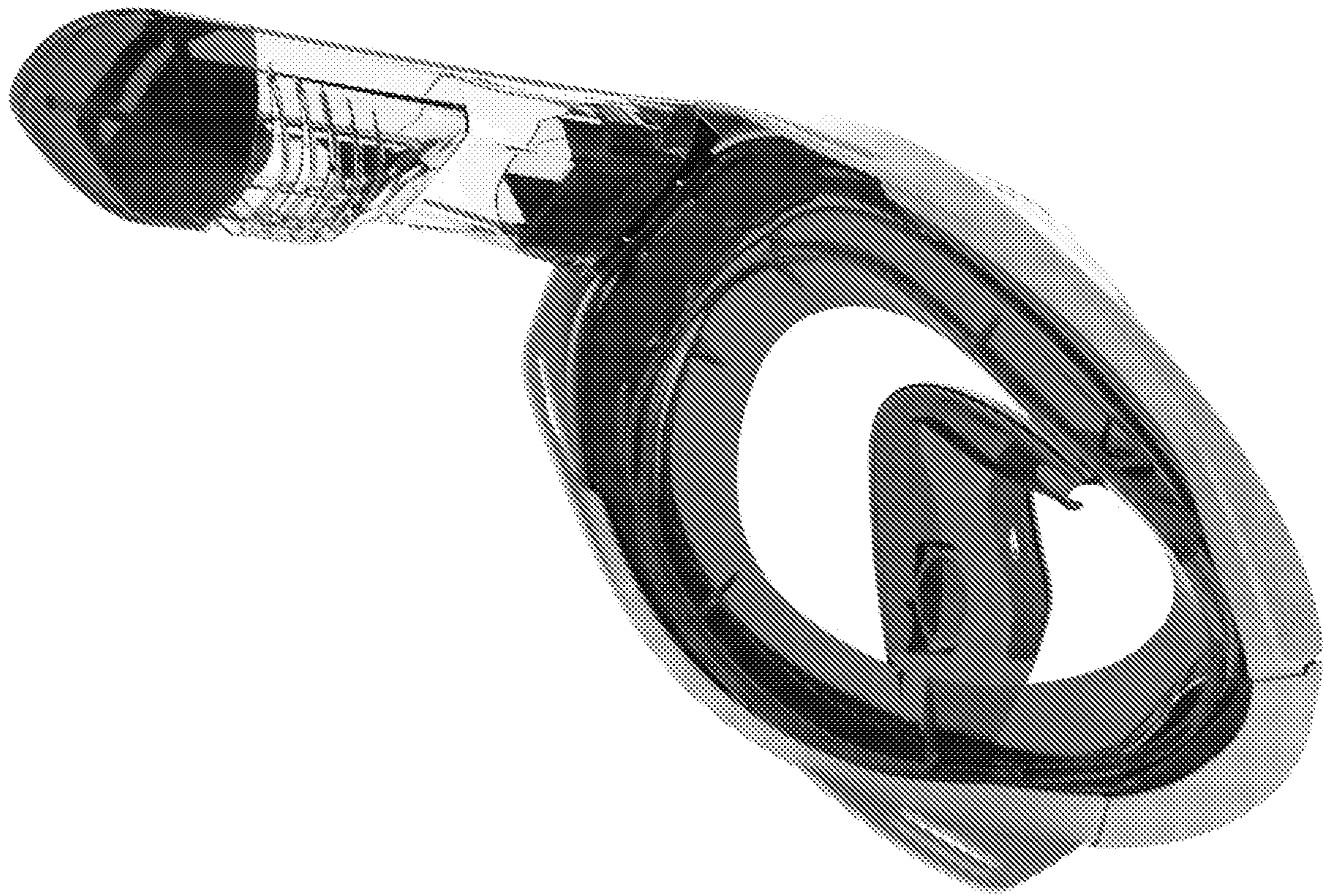


FIG. 19

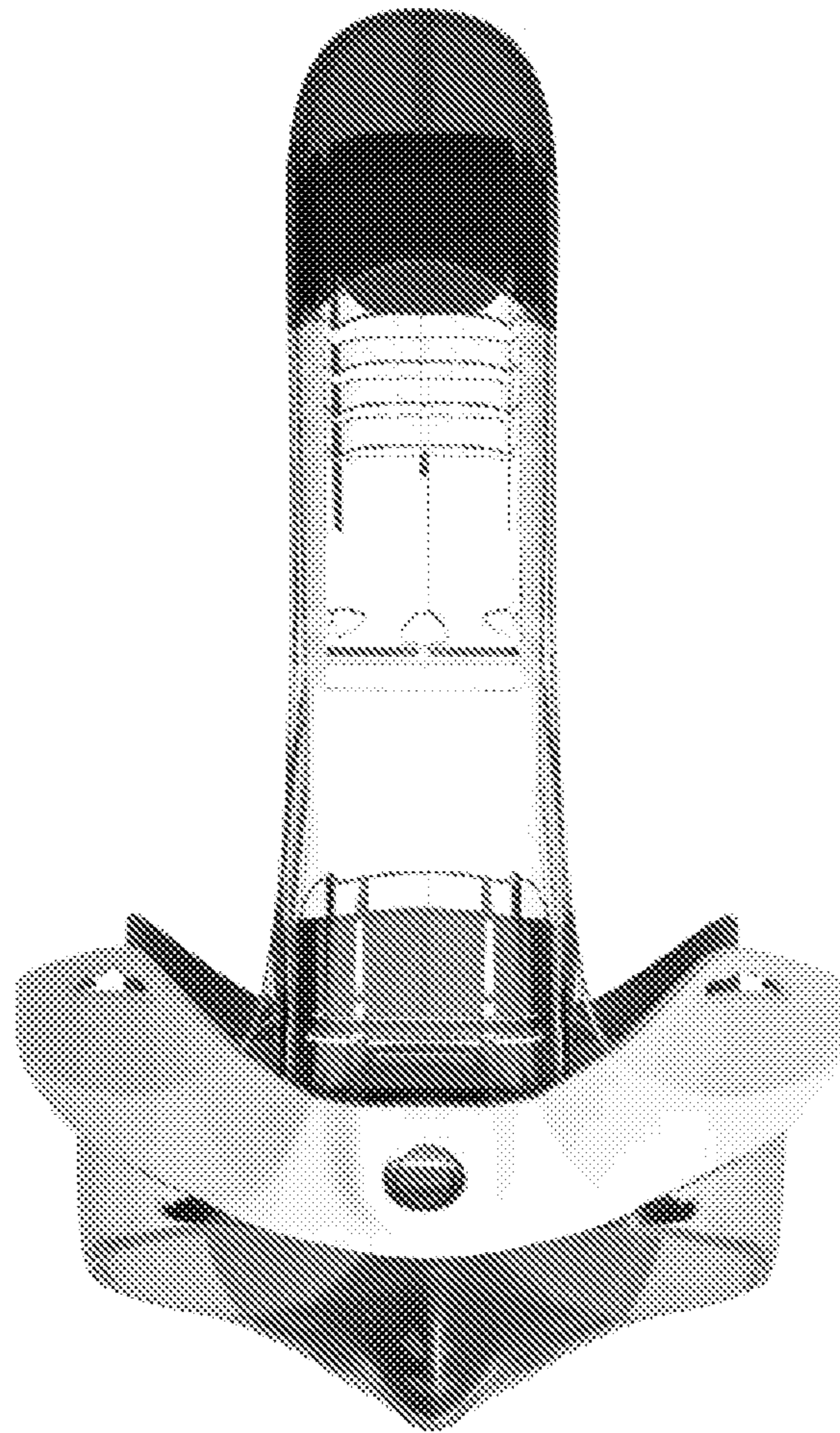


FIG. 20

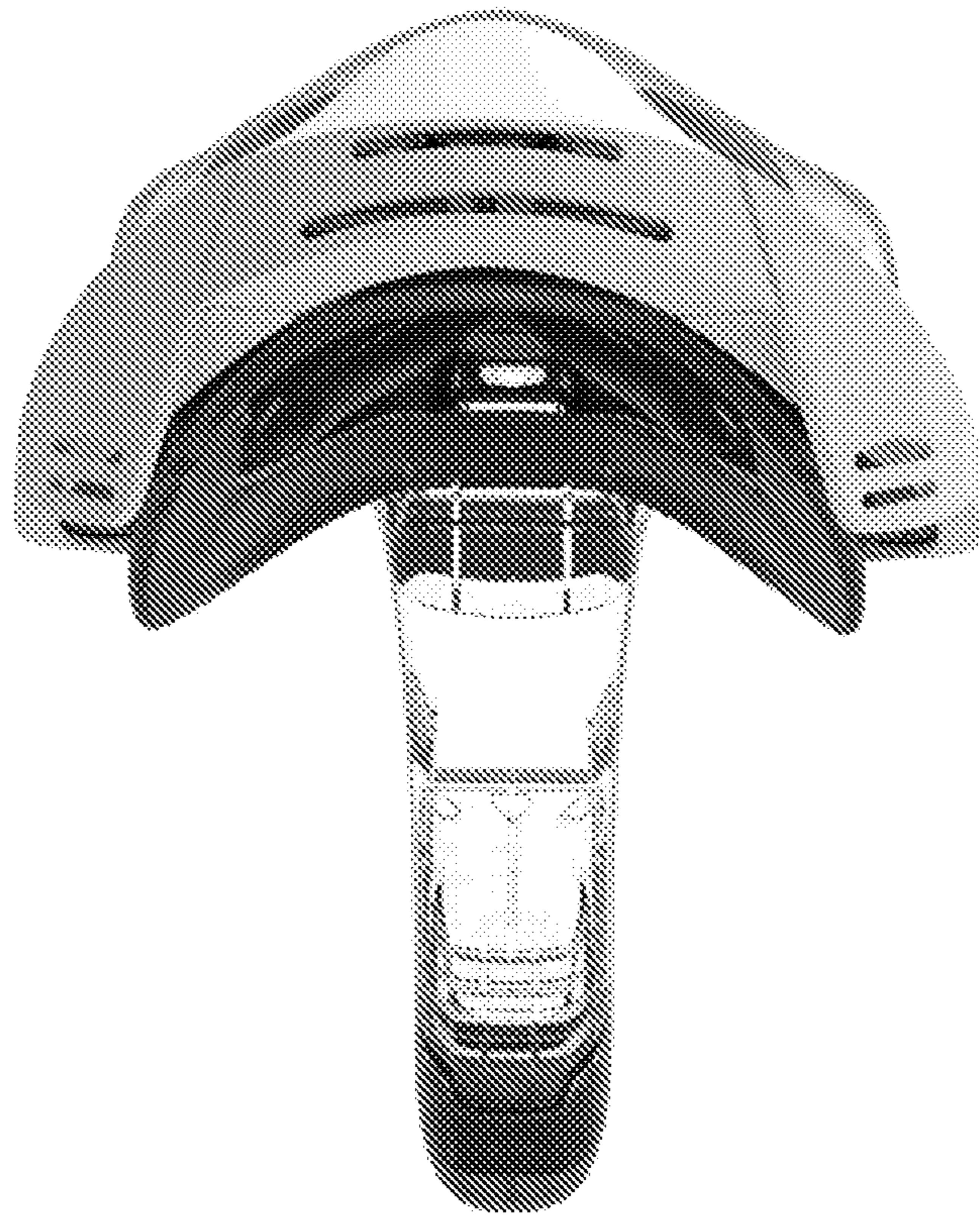


FIG. 21

UNITED STATES PATENT AND TRADEMARK OFFICE
CERTIFICATE OF CORRECTION

PATENT NO. : D944,972 S
APPLICATION NO. : 29/650708
DATED : March 1, 2022
INVENTOR(S) : Raphaël Vis

Page 1 of 1

It is certified that error appears in the above-identified patent and that said Letters Patent is hereby corrected as shown below:

On the Title Page

Under item (57), Description Line 1, Insert the following:

--The patent or application file contains at least one drawing/photograph executed in color. Copies of this patent with color drawing(s)/photograph(s) will be provided by the Office upon request and payment of the necessary fee.--

Signed and Sealed this
Twentieth Day of September, 2022



Katherine Kelly Vidal
Director of the United States Patent and Trademark Office