

US00D944967S

(12) **United States Design Patent**  
**Crowell et al.**

(10) **Patent No.:** **US D944,967 S**  
(45) **Date of Patent:** **\*\* Mar. 1, 2022**

- (54) **HANDLE MOUNTED FAN SUPPORT HAVING A CIRCULAR BASE**
- (71) Applicant: **Walmart Apollo, LLC**, Bentonville, AR (US)
- (72) Inventors: **Timothy Scott Crowell**, Rogers, AR (US); **Stephen Casey Harbison**, Little Rock, AR (US)
- (73) Assignee: **Walmart Apollo, LLC**, Bentonville, AR (US)
- (\*\*) Term: **15 Years**

|                   |         |               |       |                       |
|-------------------|---------|---------------|-------|-----------------------|
| D395,496 S *      | 6/1998  | Wang          | ..... | D23/378               |
| D408,905 S *      | 4/1999  | Hadjikyriacou | ..... | D23/378               |
| D414,550 S *      | 9/1999  | Bloom         | ..... | D23/328               |
| D438,947 S *      | 3/2001  | Wang          | ..... | D23/378               |
| D463,855 S *      | 10/2002 | Sherman       | ..... | D23/378               |
| D482,113 S *      | 11/2003 | Jones         | ..... | D23/411               |
| 8,454,322 B2 *    | 6/2013  | Gammack       | ..... | F04D 27/00<br>417/158 |
| D747,944 S *      | 1/2016  | Stamm         | ..... | D8/81                 |
| D802,741 S *      | 11/2017 | Kim           | ..... | D23/378               |
| D804,642 S *      | 12/2017 | Wong          | ..... | D23/378               |
| D842,444 S *      | 3/2019  | Murphy        | ..... | D23/342               |
| D877,585 S *      | 3/2020  | Jensen        | ..... | D8/44                 |
| D905,518 S *      | 12/2020 | Arsenault     | ..... | D8/14                 |
| 2006/0006370 A1 * | 1/2006  | Khristo       | ..... | B25B 9/00<br>254/243  |

- (21) Appl. No.: **29/741,578**
- (22) Filed: **Jul. 14, 2020**
- (51) **LOC (13) Cl.** ..... **23-03**
- (52) **U.S. Cl.**  
USPC ..... **D23/411**; D23/378
- (58) **Field of Classification Search**  
USPC ..... D23/370, 378, 381, 382, 383, 386, 387,  
D23/393, 411, 412  
CPC .. F04D 29/4226; F04D 29/281; F04D 29/441;  
F04D 25/06; F04D 25/08; F04D 25/082  
See application file for complete search history.

\* cited by examiner

*Primary Examiner* — Sharon S Oum

(57) **CLAIM**

The ornamental design for a handle mounted fan support having a circular base, as shown and described.

**DESCRIPTION**

FIG. 1 is a perspective view of a handle mounted fan support having a circular base;  
 FIG. 2 is a front view thereof;  
 FIG. 3 is a back view thereof;  
 FIG. 4 is a left side view thereof;  
 FIG. 5 is a right side view thereof;  
 FIG. 6 is a top view thereof; and,  
 FIG. 7 is a bottom view thereof.

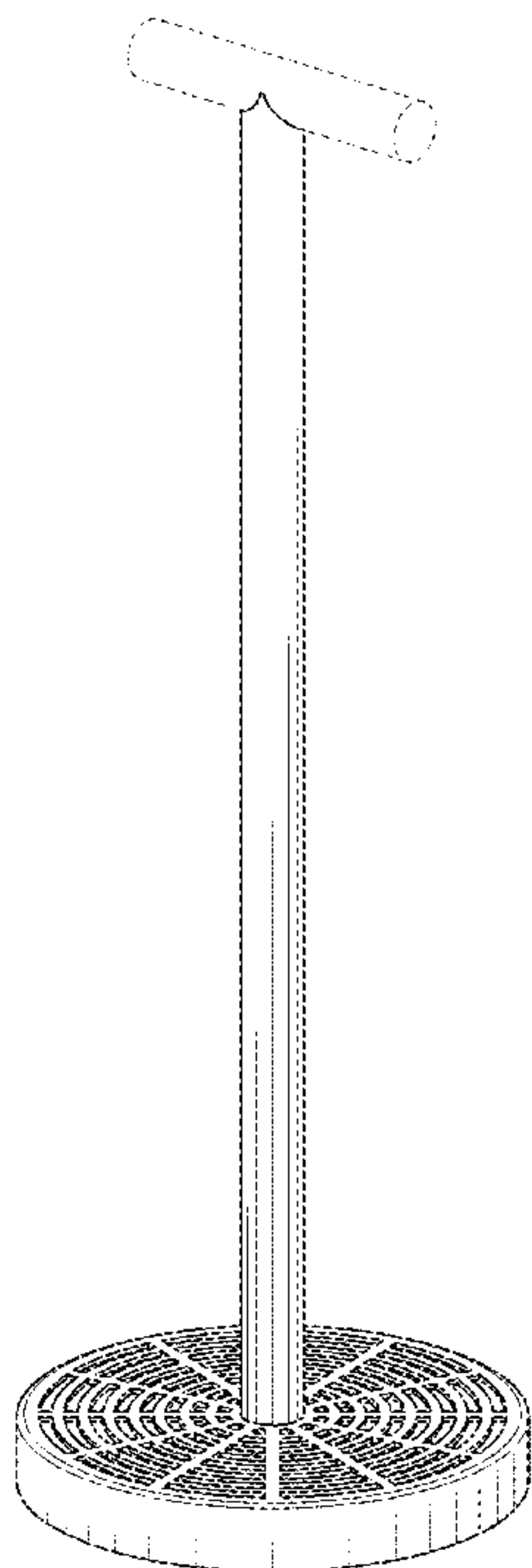
The broken lines illustrate portions of the handle mounted fan support having a circular base and from no part of the claimed design.

(56) **References Cited**

U.S. PATENT DOCUMENTS

|              |         |            |       |         |
|--------------|---------|------------|-------|---------|
| D257,485 S * | 11/1980 | Montecalvo | ..... | D23/370 |
| D281,351 S * | 11/1985 | Peroni     | ..... | D23/386 |
| D316,599 S * | 4/1991  | Wang       | ..... | D23/378 |
| D329,969 S * | 10/1992 | Kemp       | ..... | D8/14   |
| D352,105 S * | 11/1994 | Chen       | ..... | D23/378 |
| D366,109 S * | 1/1996  | Wortham    | ..... | D23/378 |

**1 Claim, 6 Drawing Sheets**



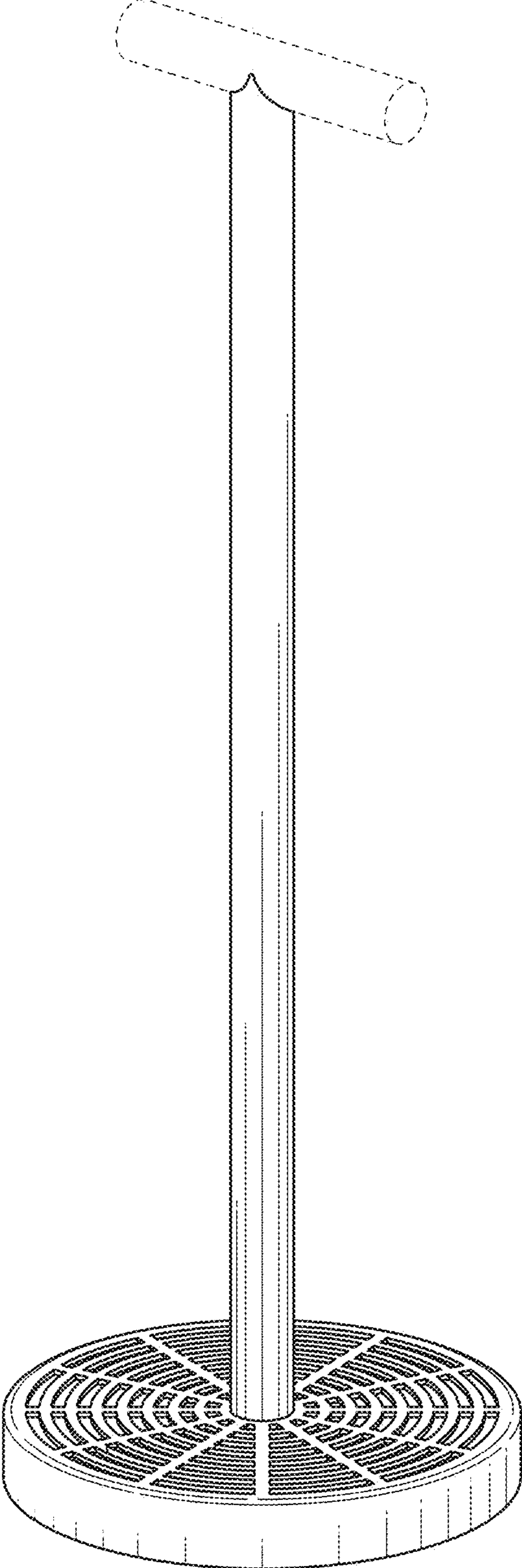


FIG. 1

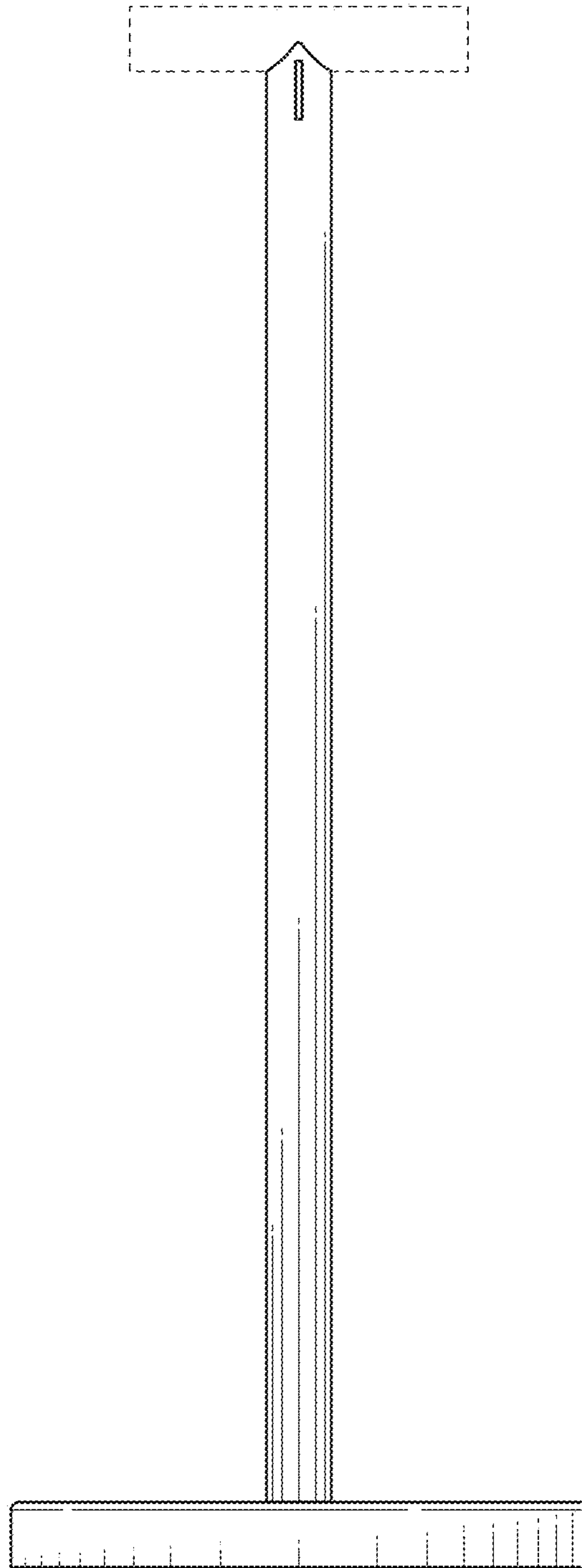


FIG. 2

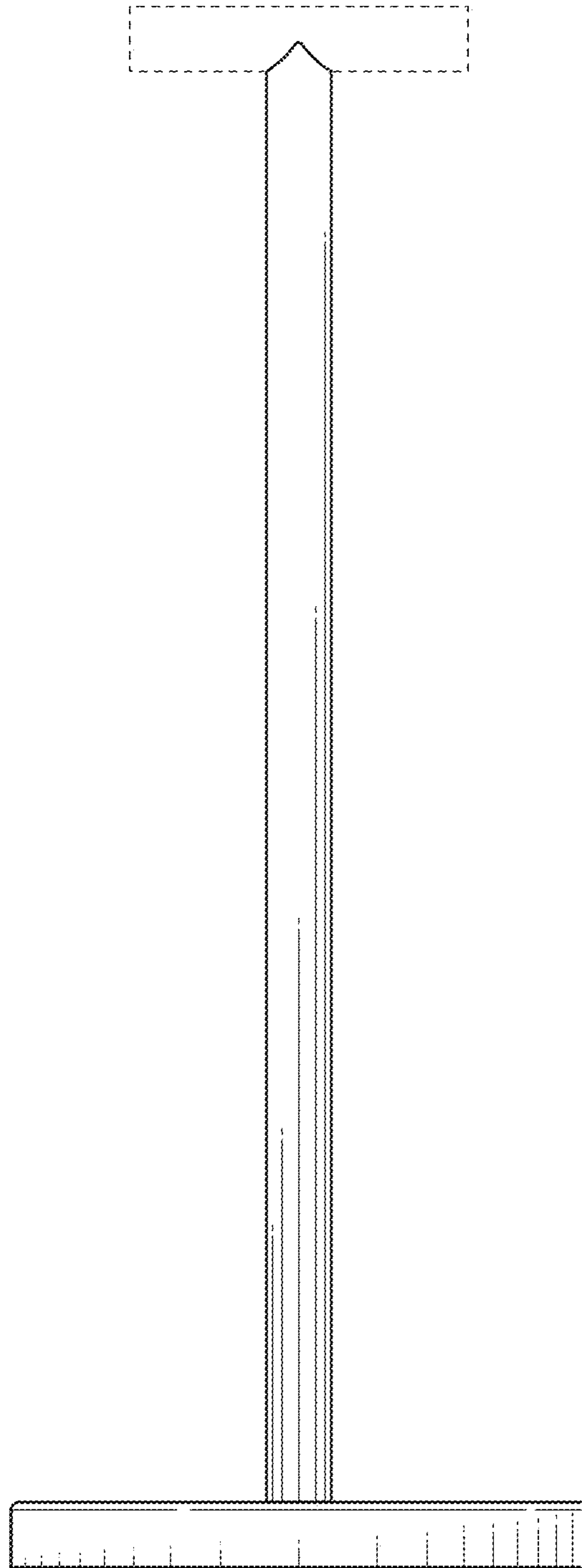


FIG. 3

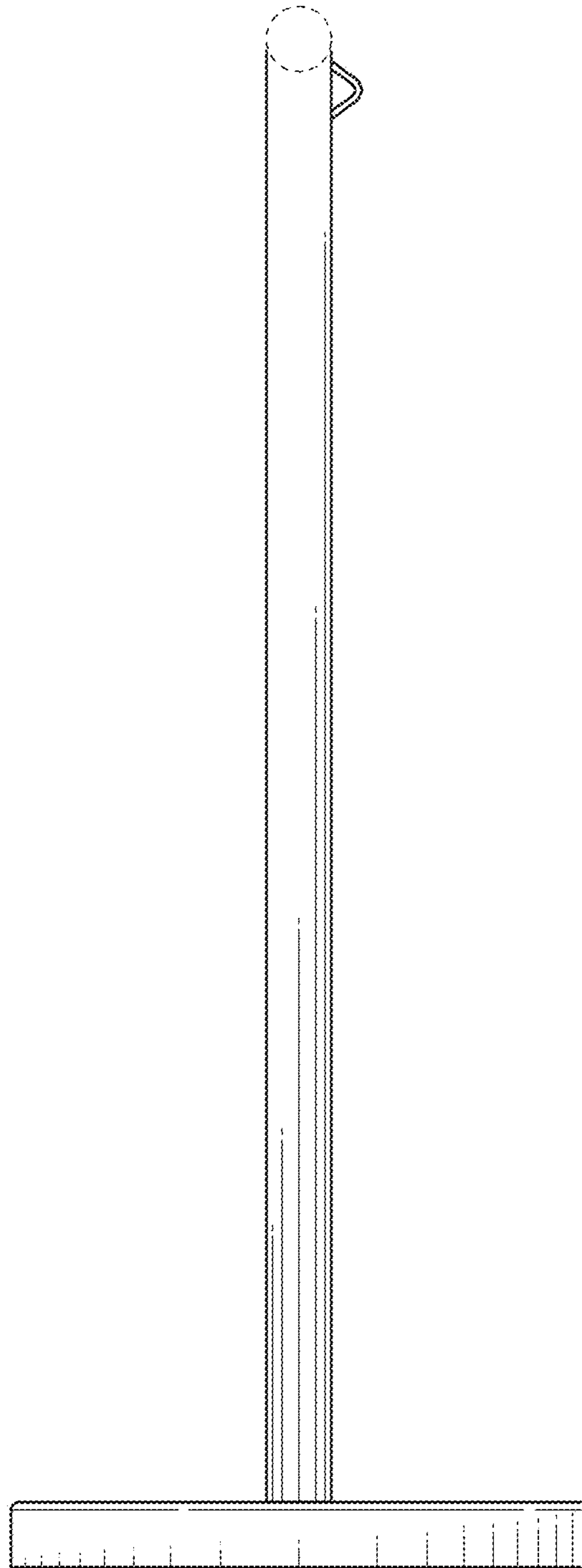


FIG. 4

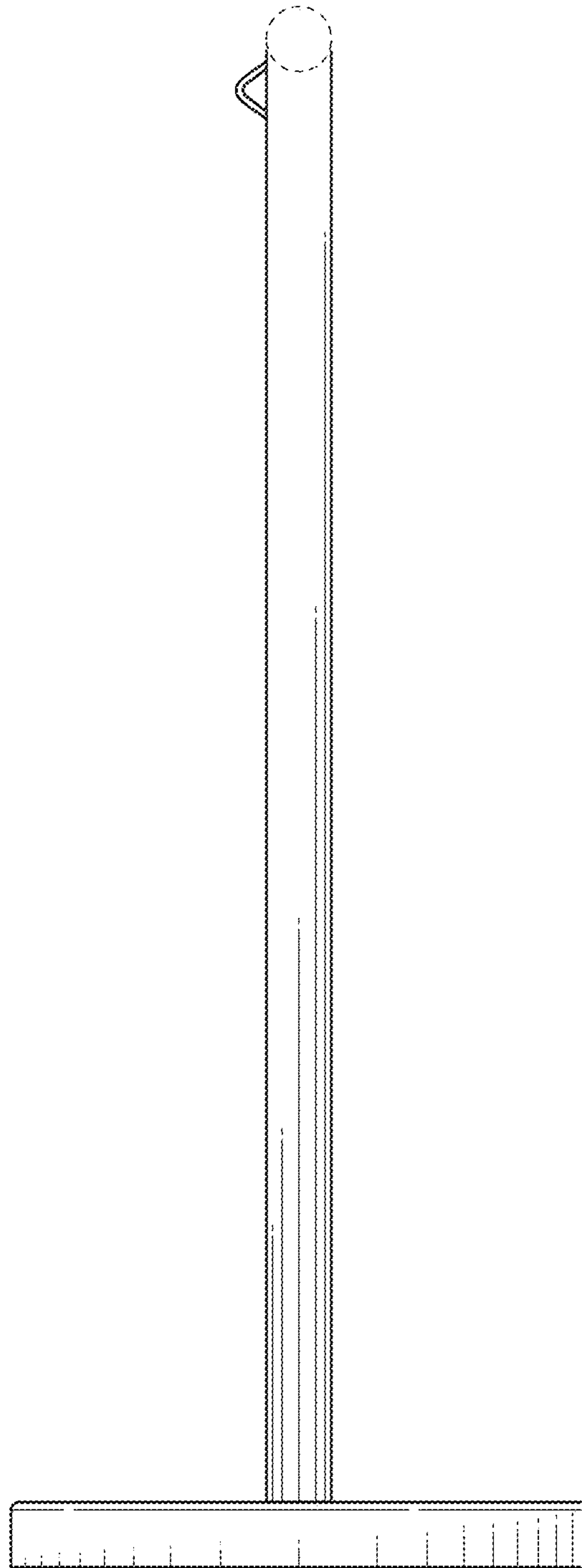


FIG. 5



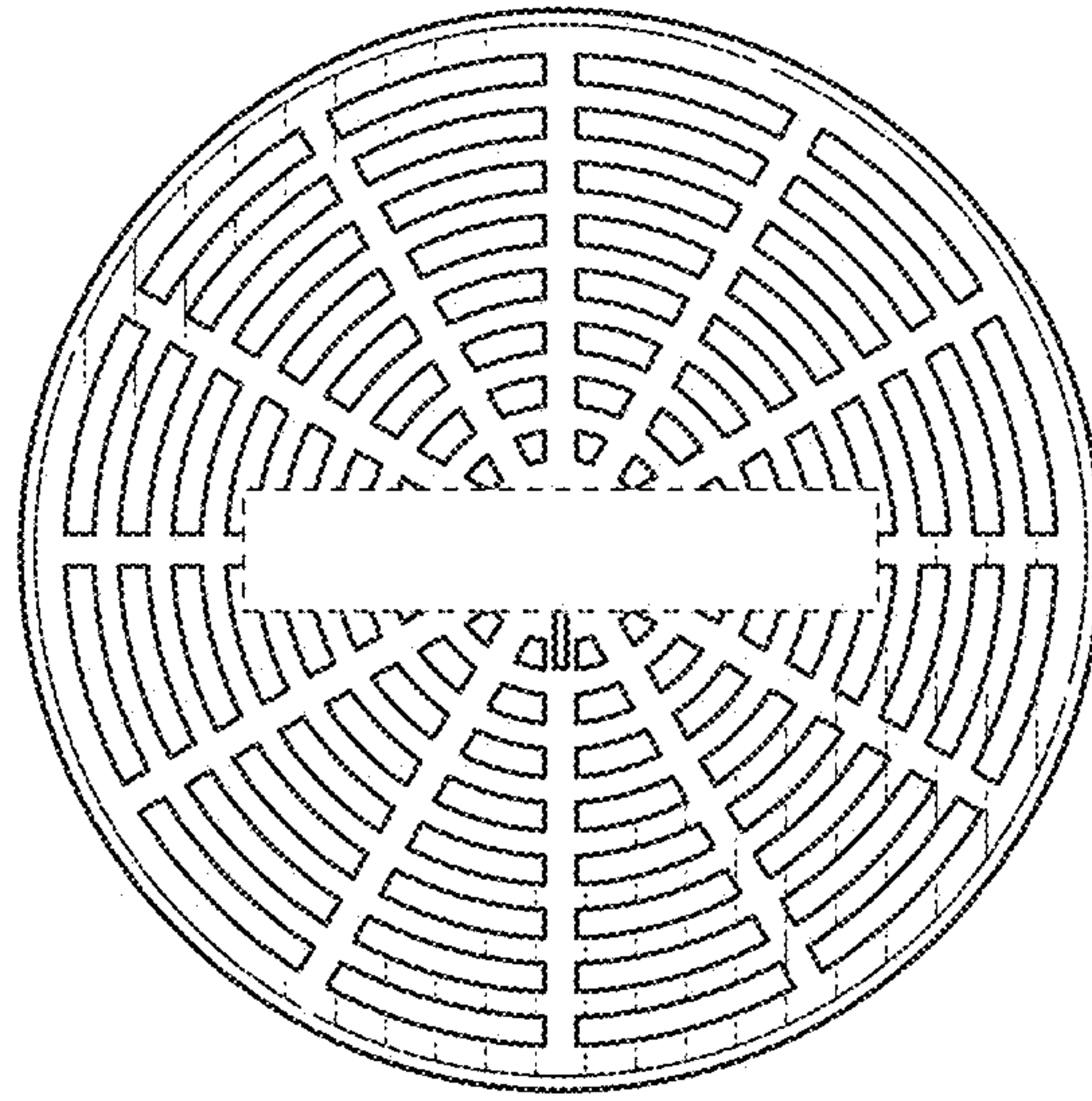


FIG. 6

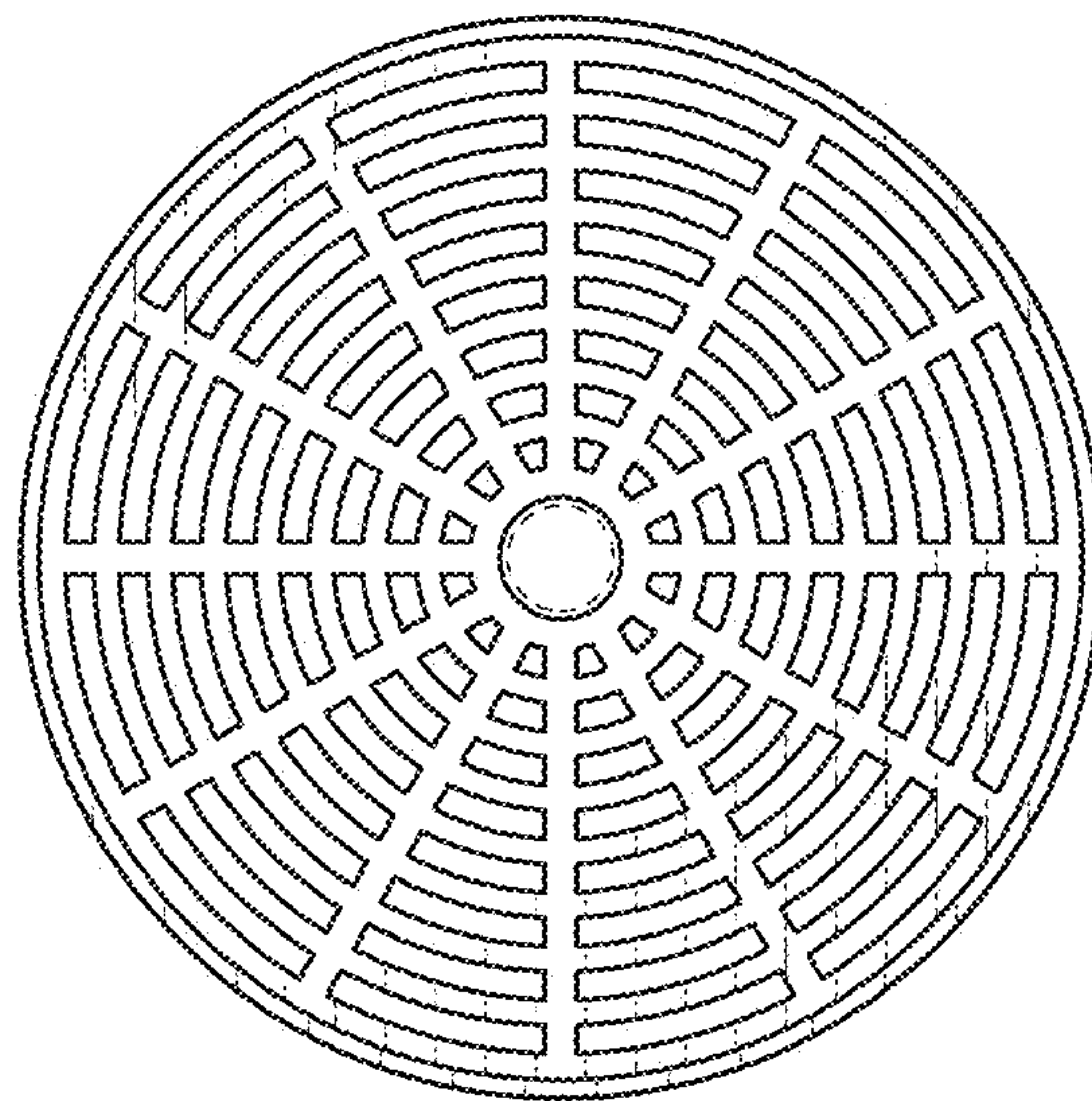


FIG. 7