



US00D944966S

(12) **United States Design Patent**  
**Horie et al.**

(10) **Patent No.:** **US D944,966 S**  
(45) **Date of Patent:** **\*\* Mar. 1, 2022**

- (54) **CASING FOR BLOWER**
- (71) Applicant: **Mitsubishi Electric Corporation**,  
Tokyo (JP)
- (72) Inventors: **Ryo Horie**, Tokyo (JP); **Takahiro Yamatani**, Tokyo (JP); **Kazuya Michikami**, Tokyo (JP); **Hiroshi Tsutsumi**, Tokyo (JP); **Takuya Teramoto**, Tokyo (JP); **Hiroyasu Hayashi**, Tokyo (JP)
- (73) Assignee: **Mitsubishi Electric Corporation**,  
Tokyo (JP)
- (\*\*) Term: **15 Years**

- 3,390,832 A \* 7/1968 Mullings ..... F04D 29/626  
417/352
- 3,407,995 A \* 10/1968 Kinsworthy ..... F04D 17/162  
415/94
- 3,627,442 A \* 12/1971 Brandt ..... F04D 29/424  
415/206
- 3,809,504 A \* 5/1974 Goossens ..... F04D 25/084  
417/411
- D308,417 S \* 6/1990 Belanger ..... D23/383
- D593,192 S \* 5/2009 Spaggiari ..... D23/370
- D609,323 S \* 2/2010 Spaggiari ..... D23/370
- D669,571 S \* 10/2012 Penlesky ..... D23/393
- 8,578,727 B2 \* 11/2013 Tsutsumi ..... F24F 3/1405  
62/176.6
- 9,160,209 B2 \* 10/2015 Feld ..... F24C 15/2042
- D742,498 S \* 11/2015 Zakula ..... D23/386
- D754,835 S \* 4/2016 Uehara ..... D23/371
- D764,651 S \* 8/2016 Zakula ..... D23/386

(Continued)

(21) Appl. No.: **29/694,038**

(22) Filed: **Jun. 6, 2019**

(30) **Foreign Application Priority Data**

- Feb. 4, 2019 (JP) ..... 2019-002146
- Feb. 4, 2019 (JP) ..... 2019-002147

(51) **LOC (13) Cl.** ..... **23-03**

(52) **U.S. Cl.**  
USPC ..... **D23/411**; D23/370; D23/383

(58) **Field of Classification Search**  
USPC ..... D23/370, 381, 382, 383, 386, 387, 393,  
D23/411, 412; D32/15  
CPC .. F04D 29/4226; F04D 29/281; F04D 29/441;  
F04D 25/06; F04D 25/08; F04D 25/082  
See application file for complete search history.

(56) **References Cited**

**U.S. PATENT DOCUMENTS**

- 2,329,696 A \* 9/1943 Chester ..... F04D 29/282  
416/188
- 2,661,894 A \* 12/1953 Stevenson ..... F04D 29/626  
417/353

*Primary Examiner* — Sharon S Oum

(74) *Attorney, Agent, or Firm* — Studebaker & Brackett  
PC

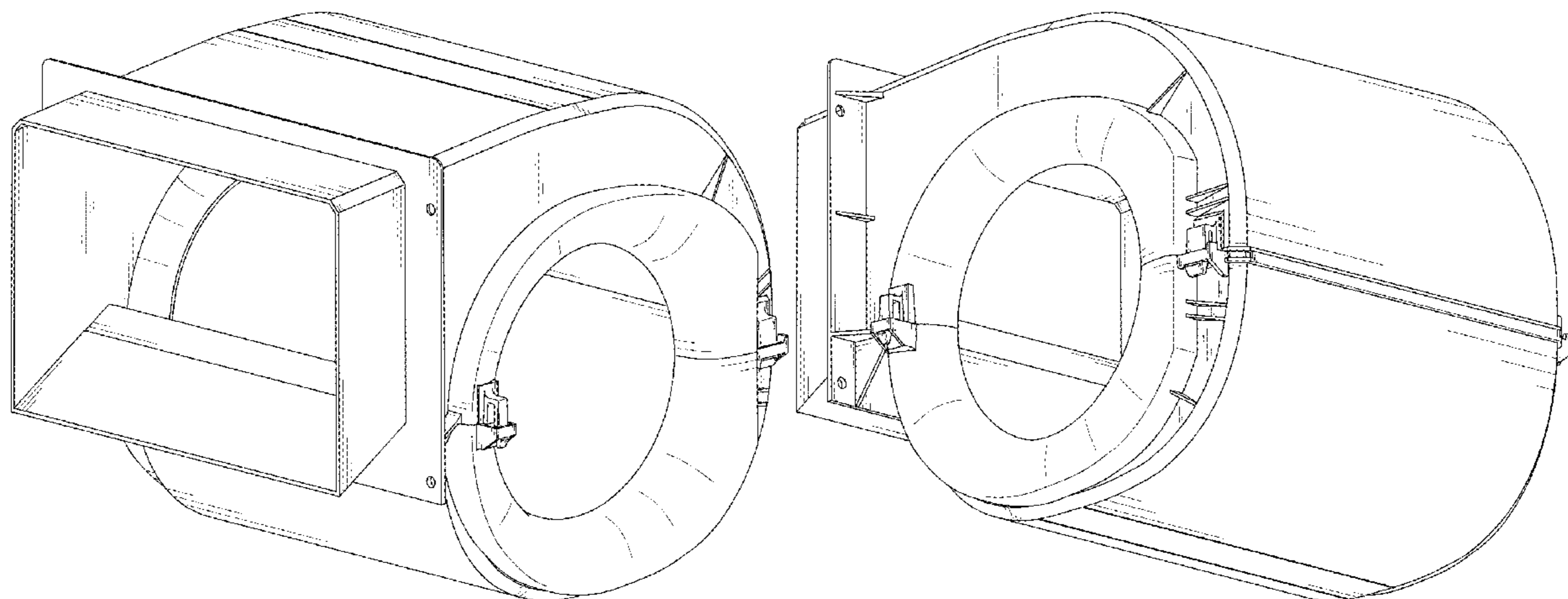
(57) **CLAIM**

The ornamental design for a casing for blower, as shown and described.

**DESCRIPTION**

FIG. 1. is a first perspective view of the front, left, and top sides of a casing for blower showing our new design;  
 FIG. 2. is a second perspective view of the front, right, and bottom sides thereof;  
 FIG. 3. is a front view thereof, a rear view being a mirror image thereof;  
 FIG. 4. is a left side view thereof;  
 FIG. 5. is a right side view thereof;  
 FIG. 6. is a top plan view thereof;  
 FIG. 7. is a bottom plan view thereof;  
 FIG. 8. is a cross-sectional view at 8-8; and,  
 FIG. 9. is a cross-sectional view at 9-9.

**1 Claim, 9 Drawing Sheets**



(56)

**References Cited**

U.S. PATENT DOCUMENTS

D775,720 S \* 1/2017 Liu ..... D23/370  
D831,817 S \* 10/2018 Pirouzpanah ..... D23/383  
10,302,096 B2 \* 5/2019 Kang ..... F04D 29/281  
10,323,853 B2 \* 6/2019 Zakula ..... F04D 29/441  
10,641,284 B2 \* 5/2020 Pirouzpanah ..... F04D 29/283  
10,718,351 B2 \* 7/2020 Kono ..... F04D 29/422  
10,895,266 B2 \* 1/2021 Pirouzpanah ..... F04D 29/4226  
2012/0009059 A1 \* 1/2012 Okamoto ..... F04D 29/441  
415/224  
2017/0051749 A1 \* 2/2017 Cho ..... F04D 29/441  
2019/0242612 A1 \* 8/2019 Teramoto ..... F24F 13/081  
2019/0376522 A1 \* 12/2019 Liu ..... F04D 29/4226  
2020/0318887 A1 \* 10/2020 Tsutsumi ..... F25D 21/14  
2021/0033104 A1 \* 2/2021 Teramoto ..... F04D 29/422  
2021/0108828 A1 \* 4/2021 Linares ..... H05B 6/108  
2021/0140445 A1 \* 5/2021 Teramoto ..... F04D 29/441

\* cited by examiner

Fig.1

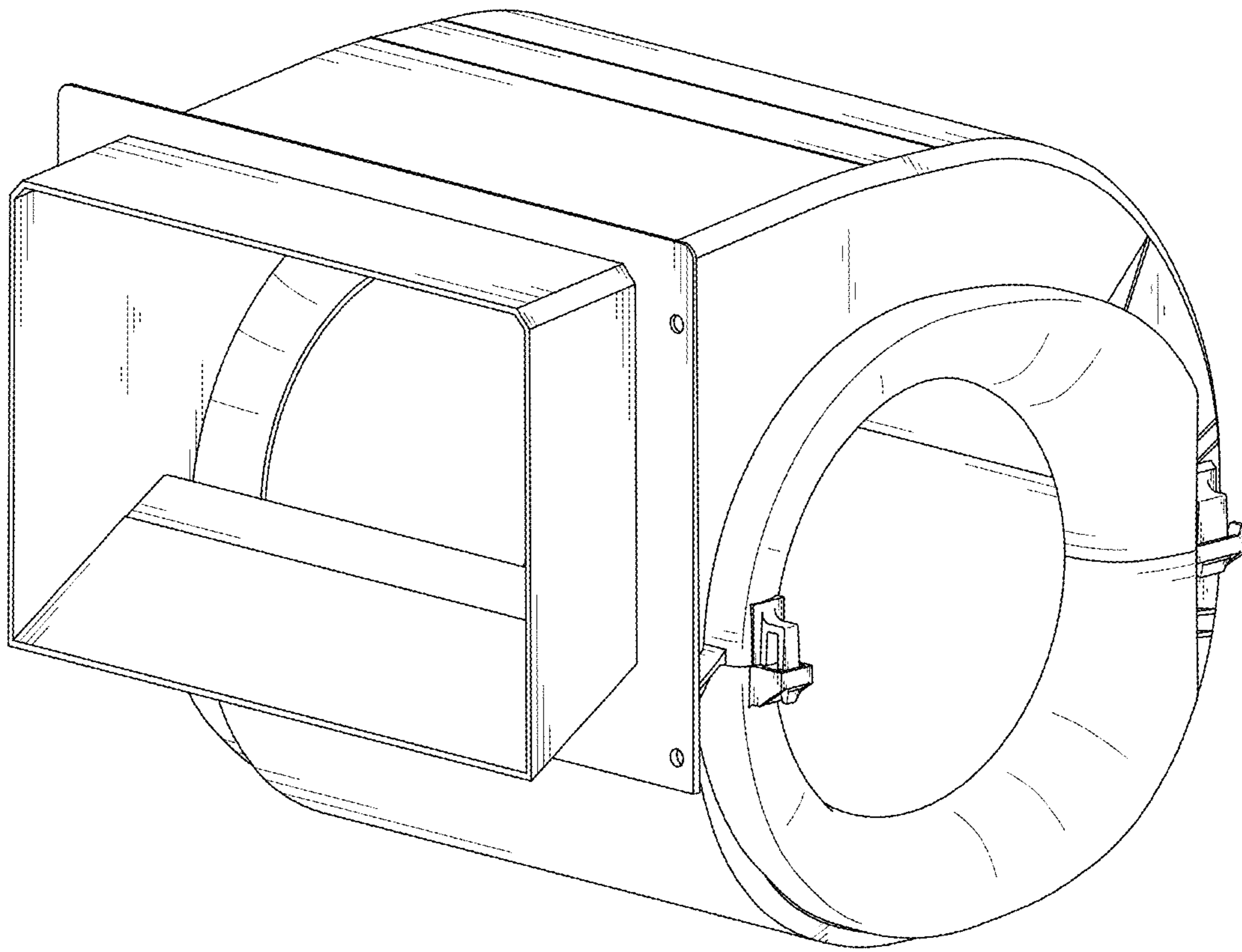


Fig.2

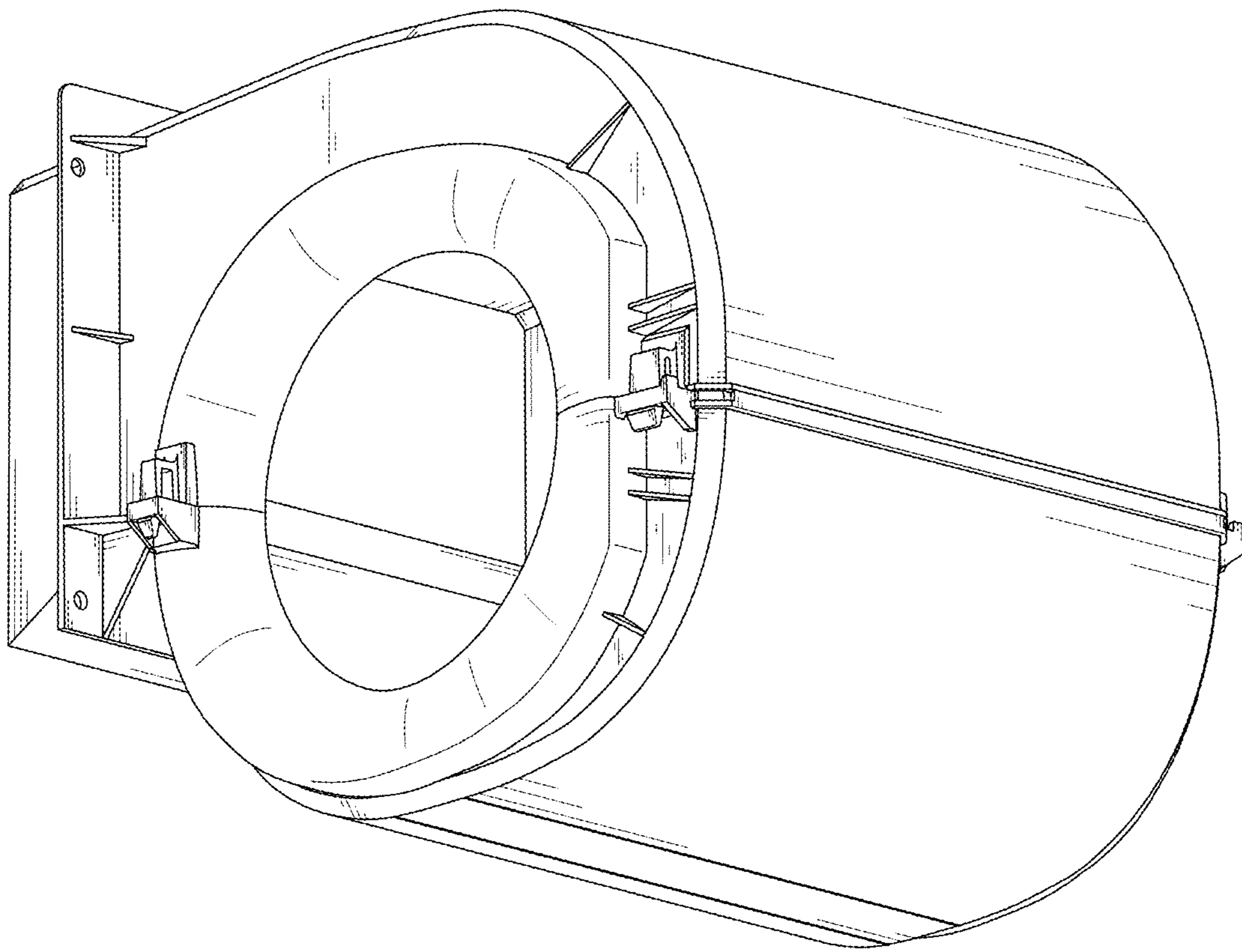


Fig.3

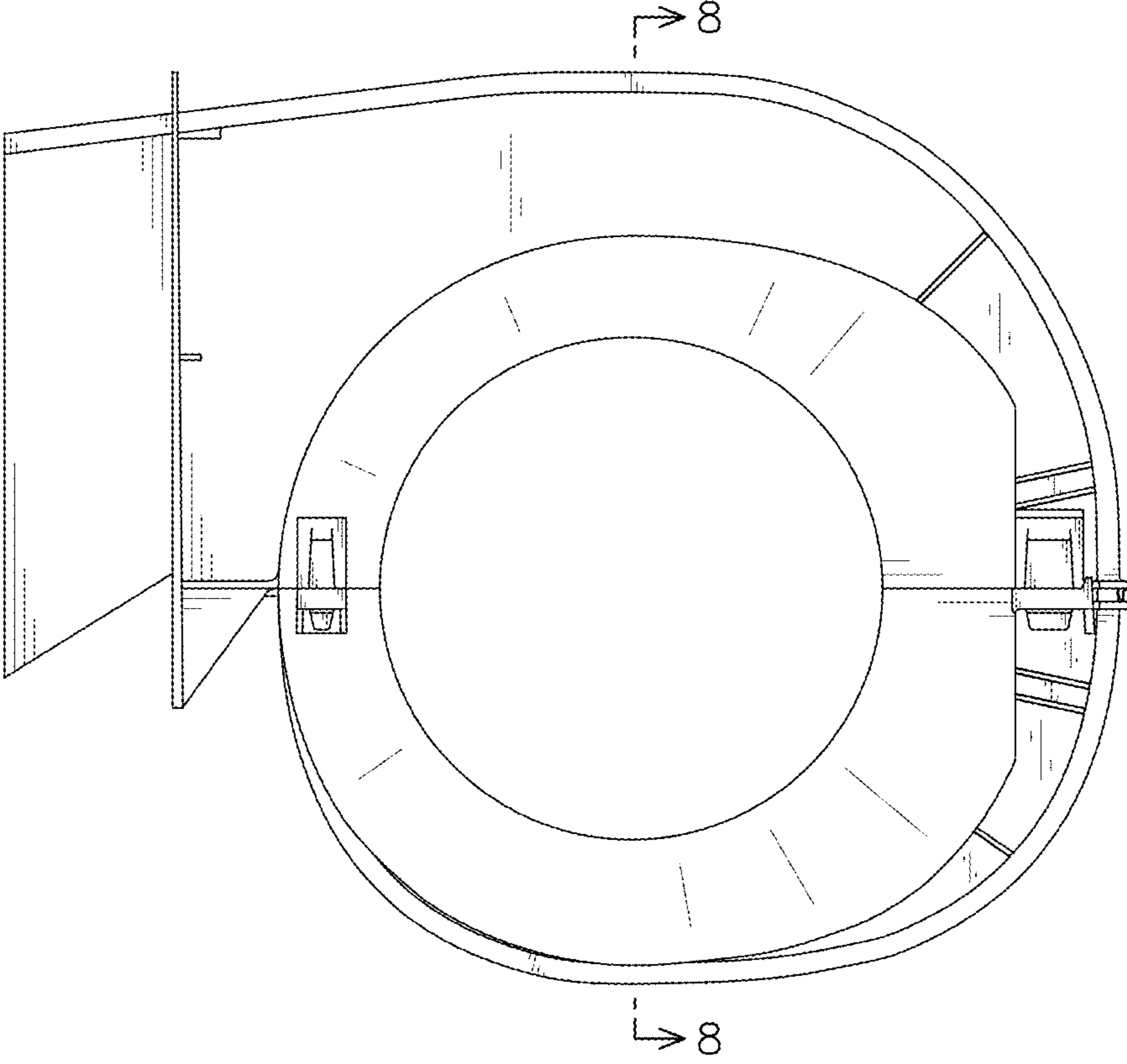


Fig.4

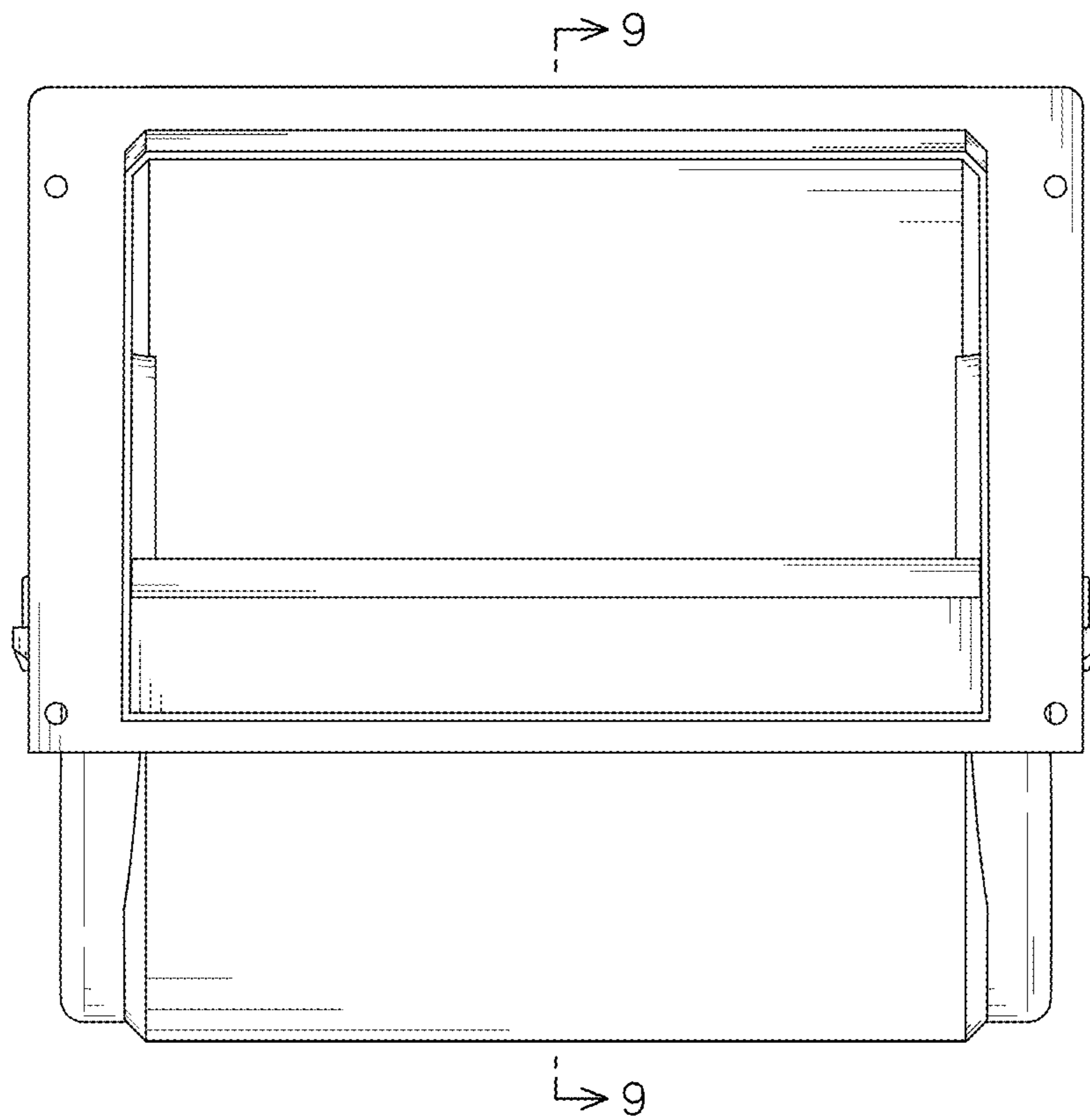


Fig.5

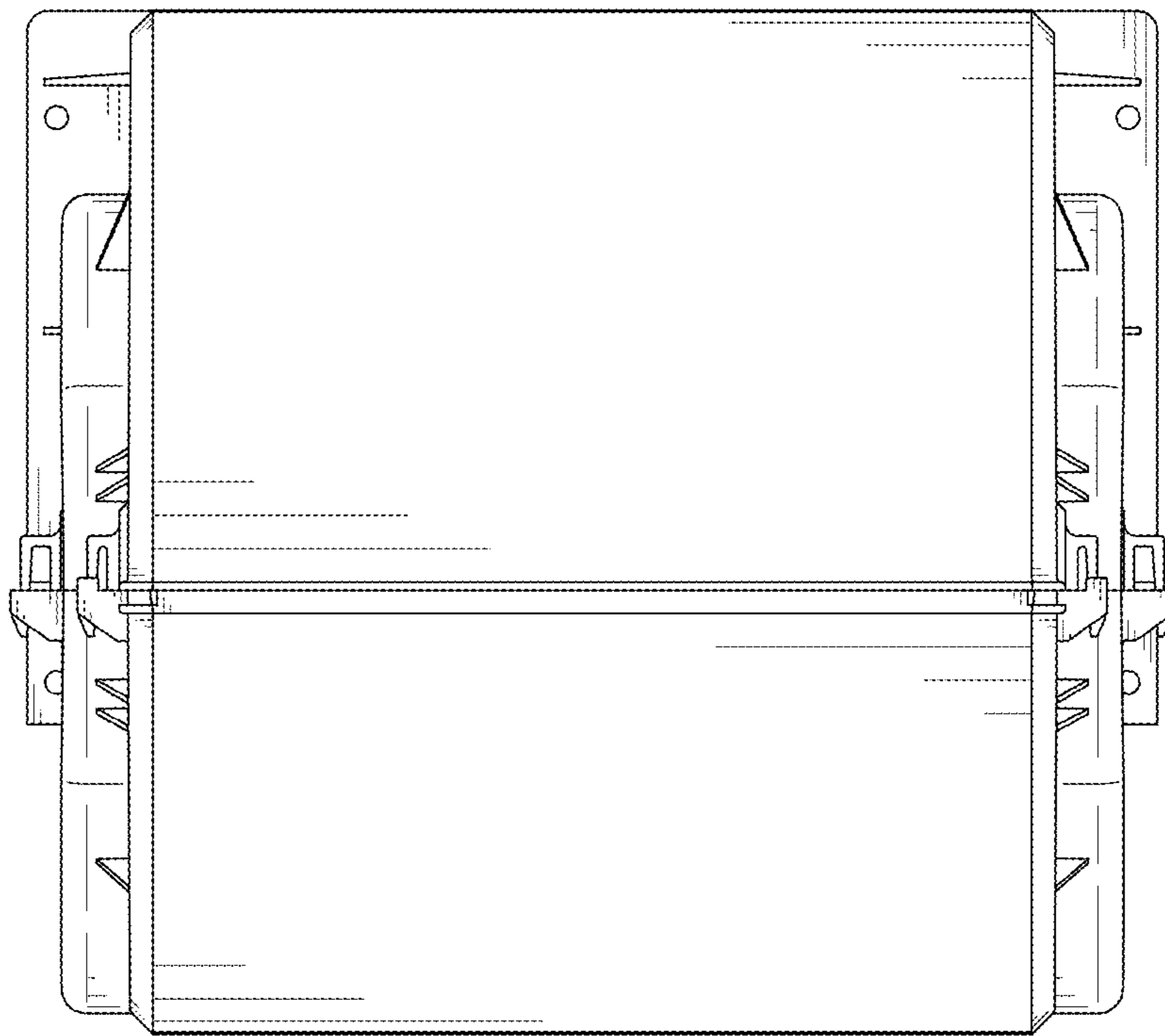


Fig.6

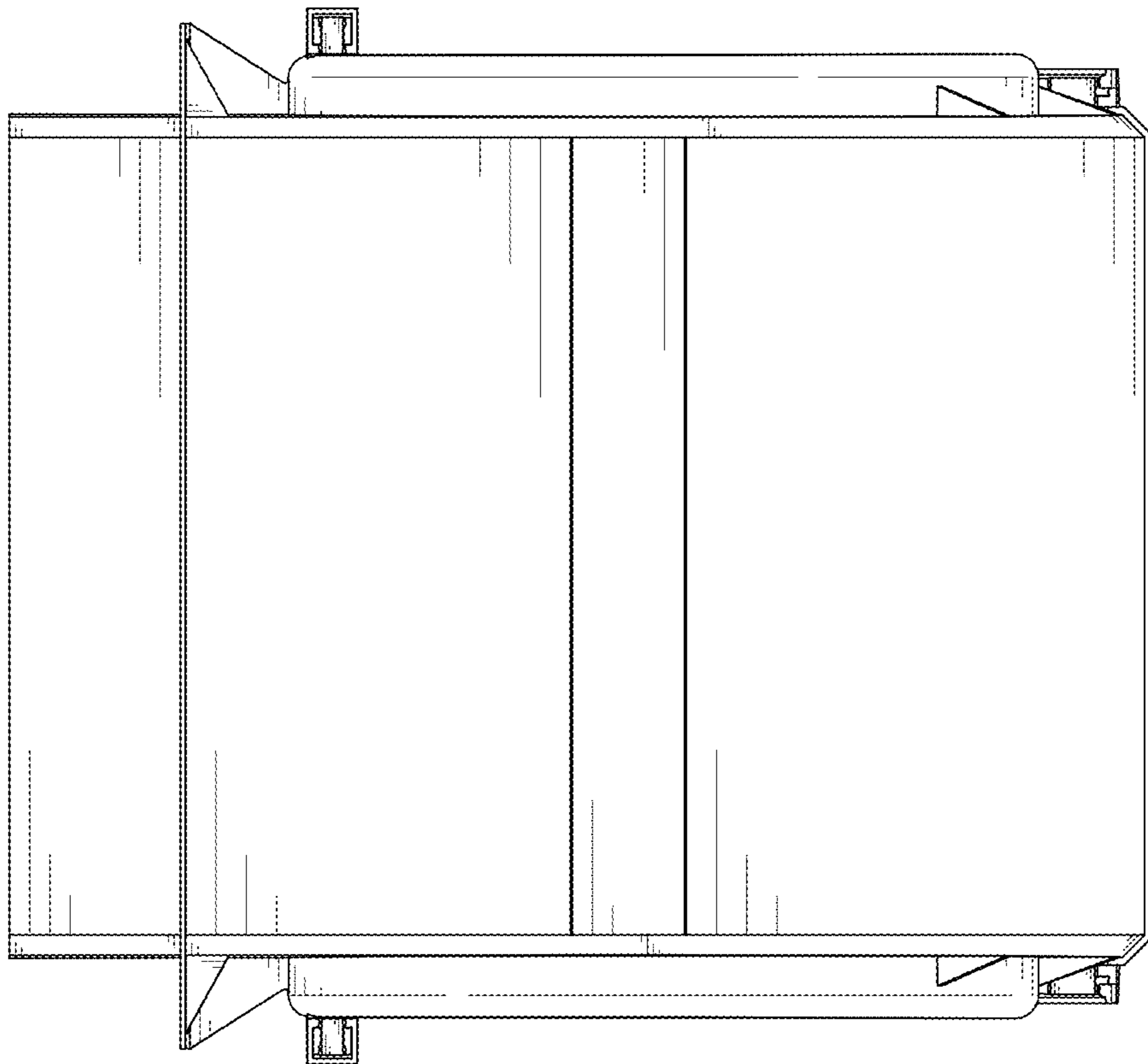




Fig.7

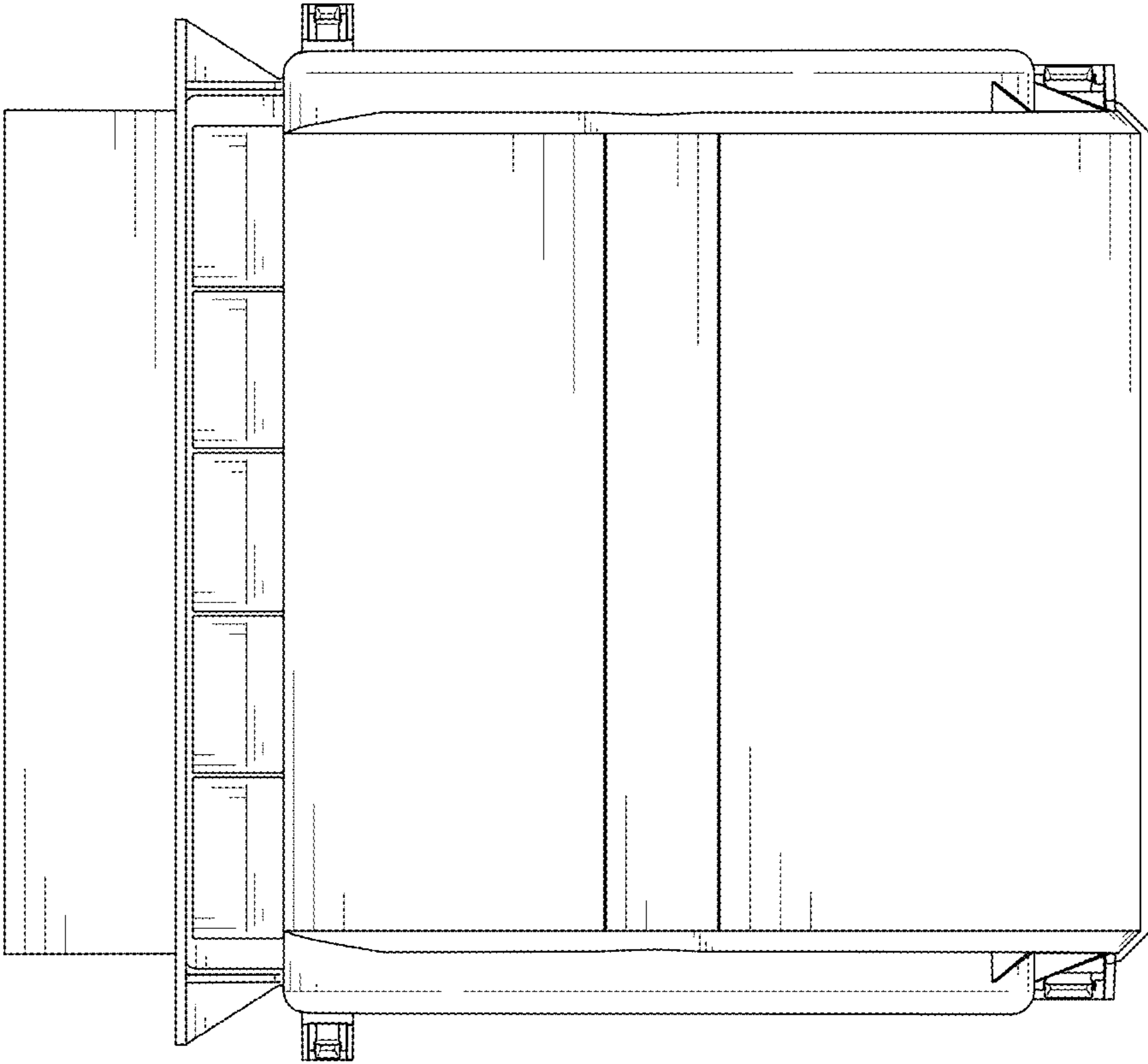


Fig.8

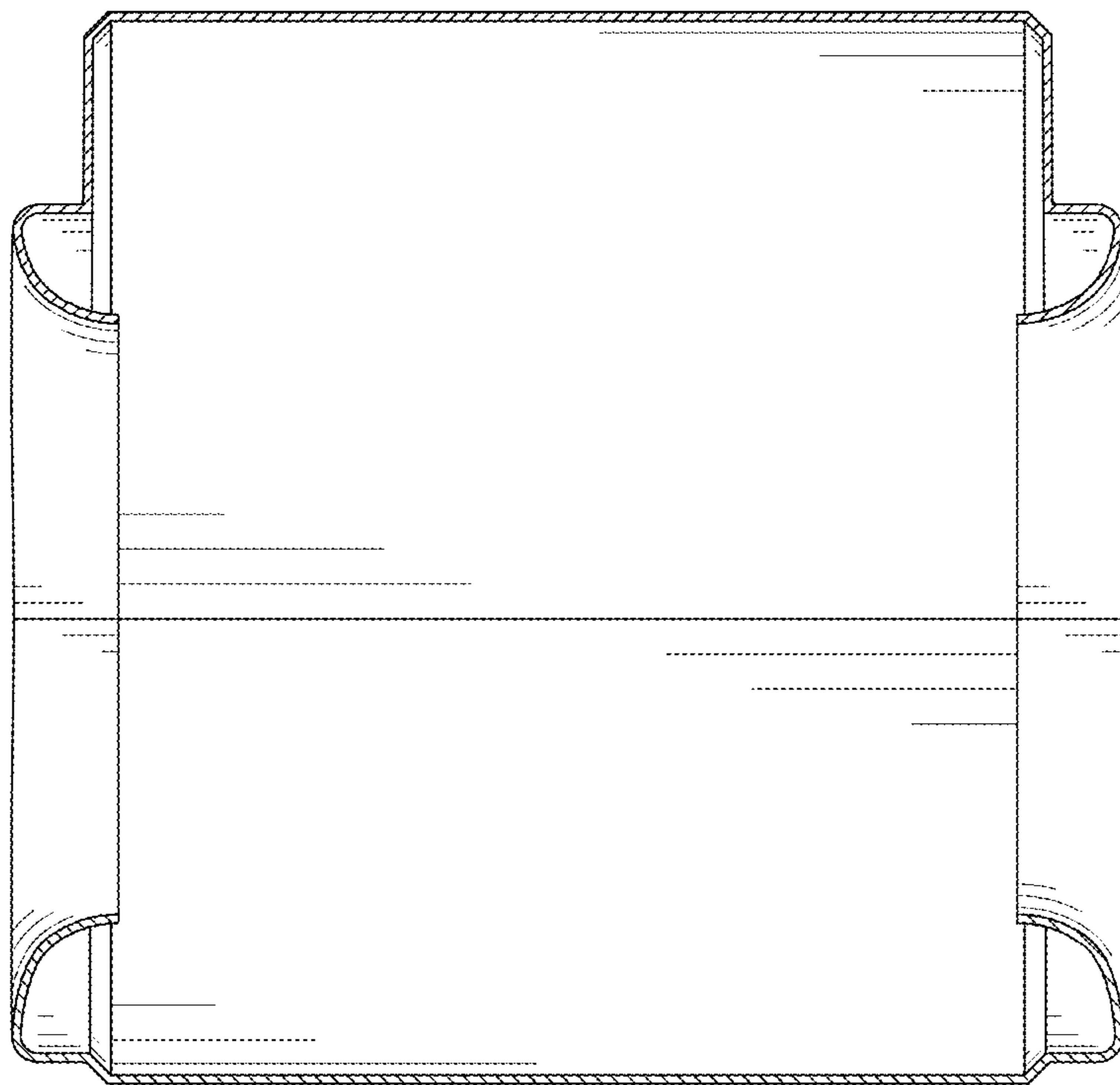


Fig.9

