



US00D944965S

(12) **United States Design Patent**
Reap

(10) **Patent No.:** **US D944,965 S**

(45) **Date of Patent:** **** Mar. 1, 2022**

- (54) **ROOF APERTURE CURB WITH OFFSET CLEAT**
- (71) Applicant: **Robert Reap**, Richmond, VT (US)
- (72) Inventor: **Robert Reap**, Richmond, VT (US)
- (**) Term: **15 Years**
- (21) Appl. No.: **29/633,598**
- (22) Filed: **Jan. 15, 2018**
- (51) **LOC (13) Cl.** **23-03**
- (52) **U.S. Cl.**
USPC **D23/393**
- (58) **Field of Classification Search**
USPC D25/56, 141, 199, 60, 119, 162;
D23/343-348, 370, 371, 373-376,
D23/378-385, 393
CPC E04D 13/0305; E04D 13/0315; E04D
13/1475
See application file for complete search history.

(56) **References Cited**

U.S. PATENT DOCUMENTS

- 2,300,842 A * 11/1942 Leslie E04D 13/17
454/366
- 2,875,710 A * 3/1959 Paul E04D 13/0354
52/72
- 3,093,059 A * 6/1963 Metz E04D 13/0325
454/366
- 4,848,051 A * 7/1989 Weisner E04D 13/031
52/200
- 5,016,406 A * 5/1991 Calam E04D 13/0315
52/200
- D385,363 S * 10/1997 Sølbeck D25/60
- 5,675,940 A * 10/1997 Bahar E04D 13/031
52/200
- D391,648 S * 3/1998 Sølbeck D25/199
- D431,291 S * 9/2000 McKee D23/393
- D441,856 S * 5/2001 Wettergren D23/328

- 6,263,624 B1 * 7/2001 Hoy E04D 13/03
52/200
- 6,354,046 B1 * 3/2002 Swearingen E04D 13/0315
52/200
- D489,834 S * 5/2004 Weston D25/199
- 6,951,081 B2 * 10/2005 Bonshor H02G 3/088
52/302.1
- D582,055 S * 12/2008 Moller D25/60
- D629,093 S * 12/2010 Polston D23/373
- 8,205,401 B2 * 6/2012 Ward F24F 7/02
454/367
- D731,047 S * 6/2015 Leonard D23/373
- 9,151,057 B2 * 10/2015 Mills E04D 13/1475
- D750,282 S * 2/2016 Lippeatt D25/199
- 9,316,001 B2 * 4/2016 King E04D 13/1475
- D804,628 S * 12/2017 Fiser D23/373

(Continued)

Primary Examiner — Sharon S Oum

(74) *Attorney, Agent, or Firm* — John W. O'Donnell, Esq.

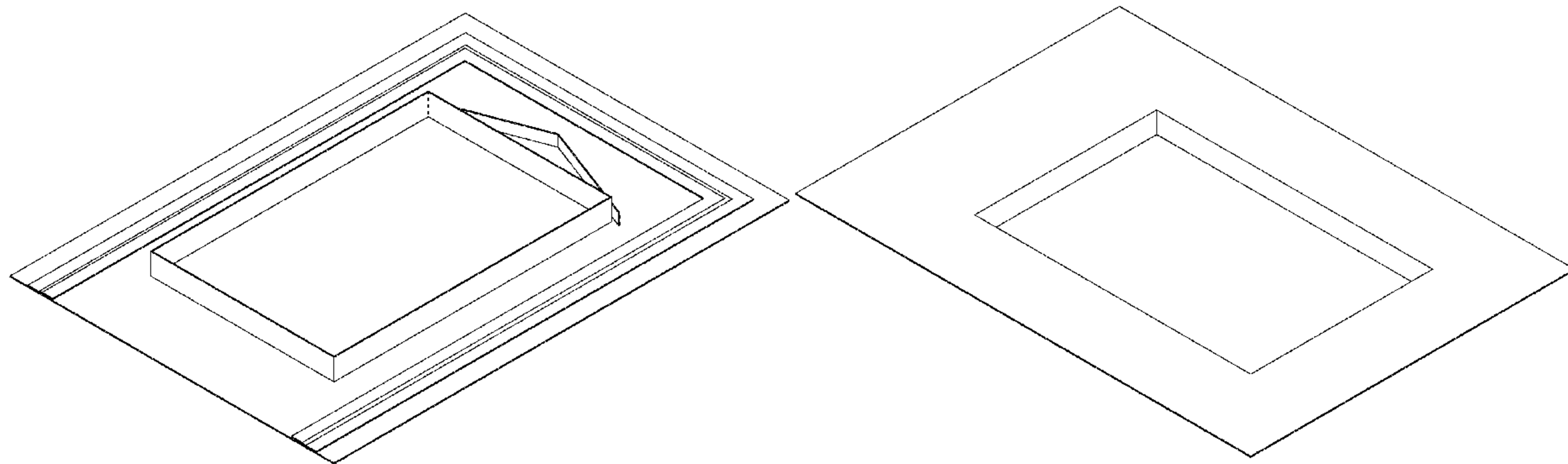
(57) **CLAIM**

The ornamental design for a roof aperture curb with offset cleat, as shown and described.

DESCRIPTION

FIG. 1 is a bottom view of my invention;
 FIG. 2 is a top view thereof;
 FIG. 3 is a right side view thereof;
 FIG. 4 is a left side view thereof;
 FIG. 5 is a front elevational view thereof;
 FIG. 6 is a rear elevational view thereof;
 FIG. 7 is a perspective view thereof, taken from the top, front, and right side;
 FIG. 8 is a perspective view thereof, taken from the bottom, front and left side;
 FIG. 9 is a perspective view thereof, taken from the top, rear, and right side; and,
 FIG. 10 is a cross sectional view of the roof aperture curb with offset cleat thereof, taken along line 10-10 of FIG. 2.

1 Claim, 10 Drawing Sheets



(56)

References Cited

U.S. PATENT DOCUMENTS

D809,680	S *	2/2018	Hansen	E04B 1/665
					D25/199
D812,211	S *	3/2018	Daniels	D23/371
10,128,644	B1 *	11/2018	Gilstrap	E04B 1/625
D907,191	S *	1/2021	Reap	D23/393
2006/0070315	A1 *	4/2006	McClure	E04D 13/0315
					52/200
2007/0101665	A1 *	5/2007	Sadow	E04D 3/362
					52/200
2011/0056620	A1 *	3/2011	Barksdale	B32B 7/06
					156/247
2011/0289870	A1 *	12/2011	Nemazi	E04C 1/42
					52/200

* cited by examiner

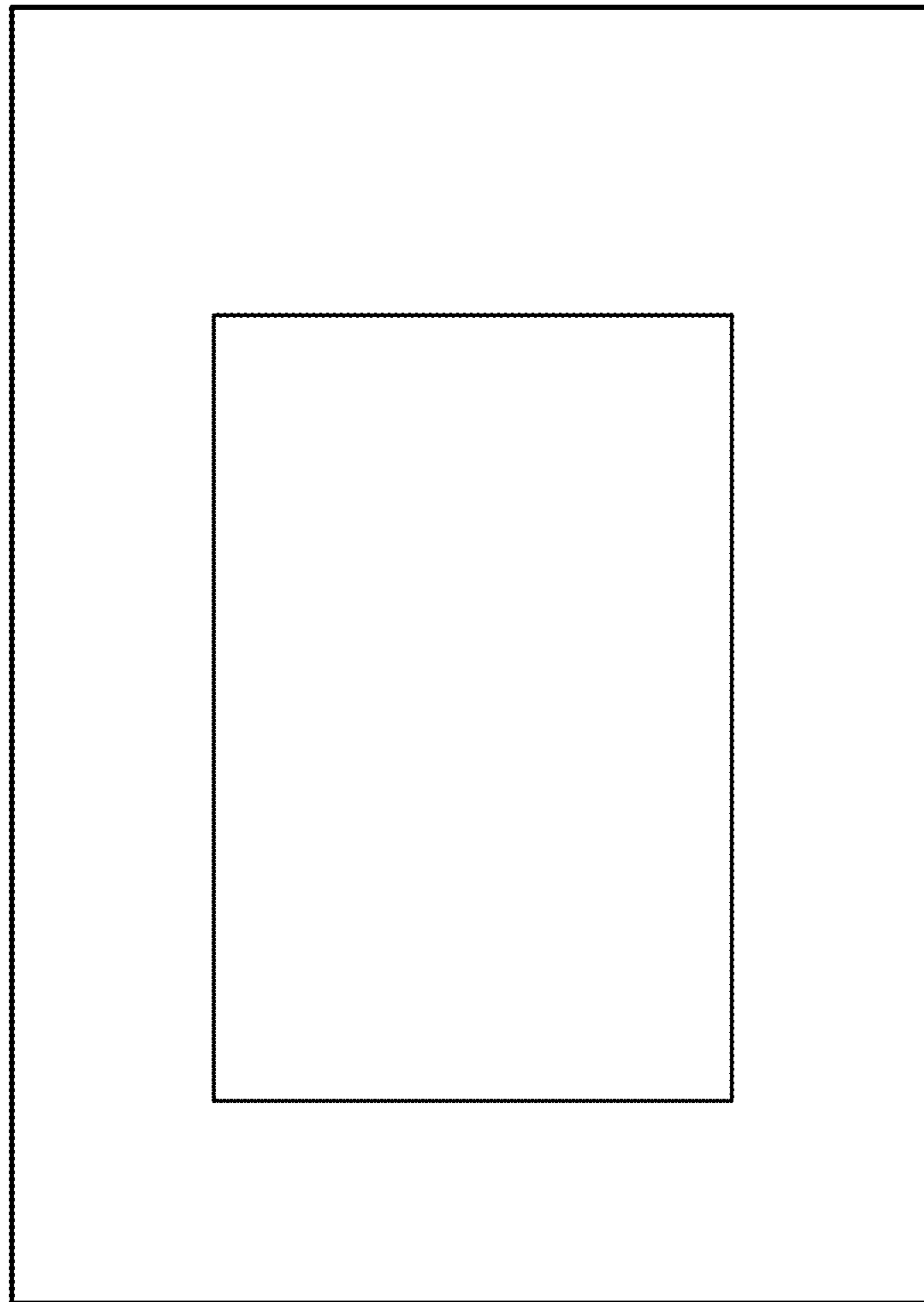


FIG. 1

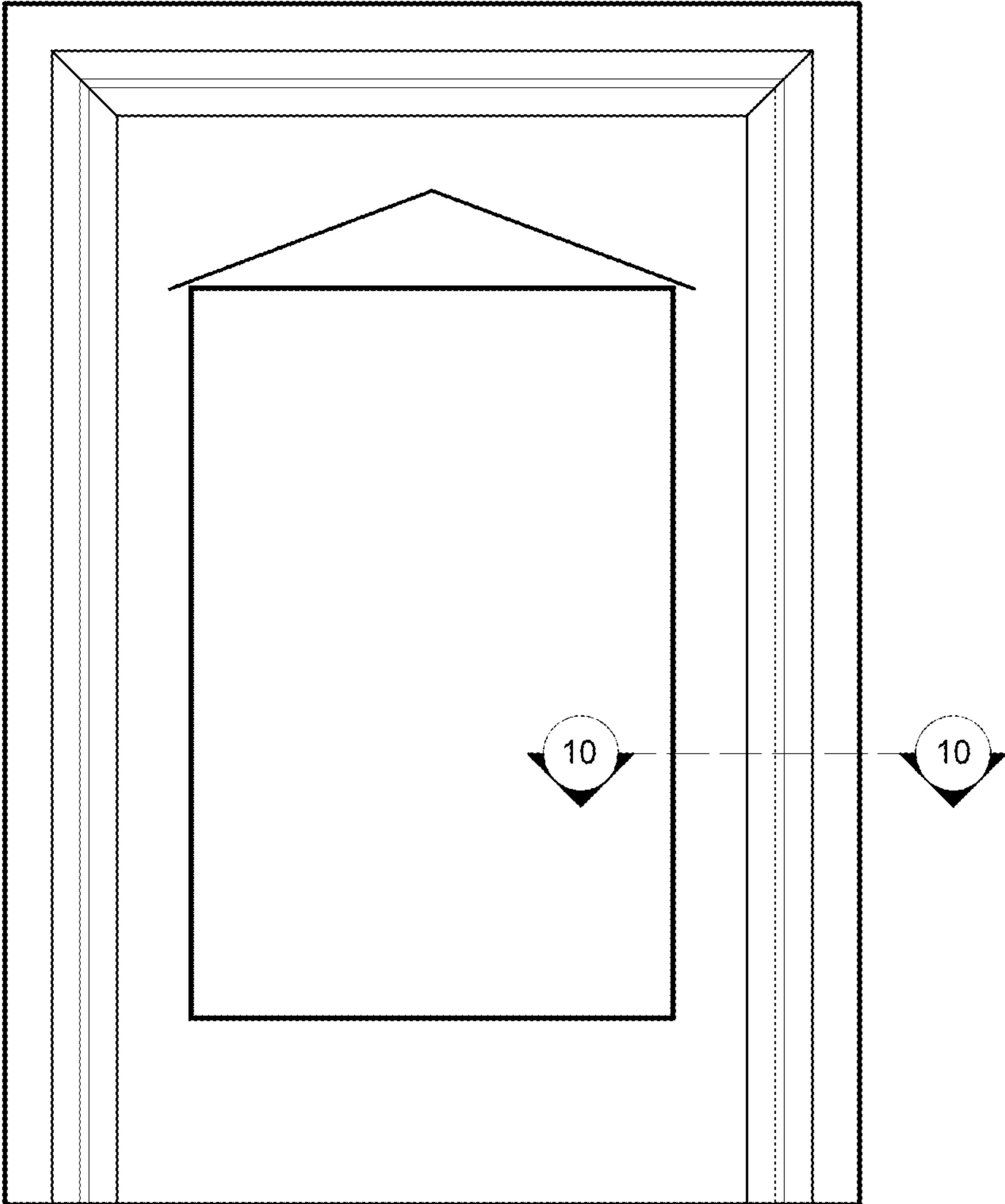


FIG. 2

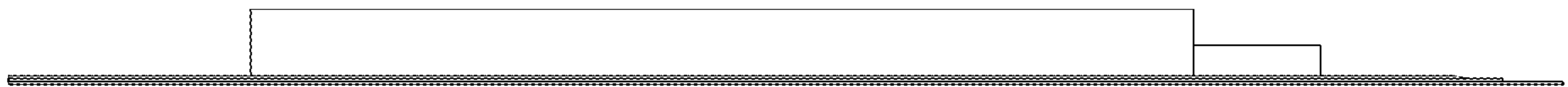


FIG. 3

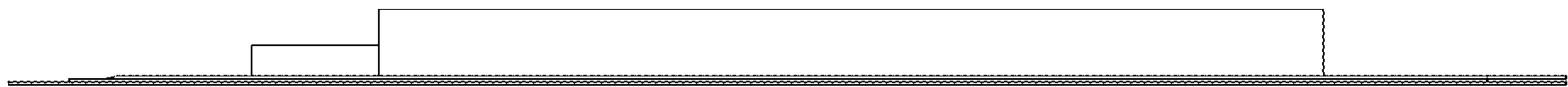


FIG. 4

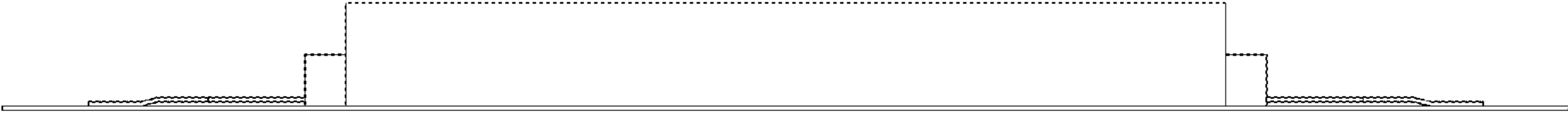


FIG. 5

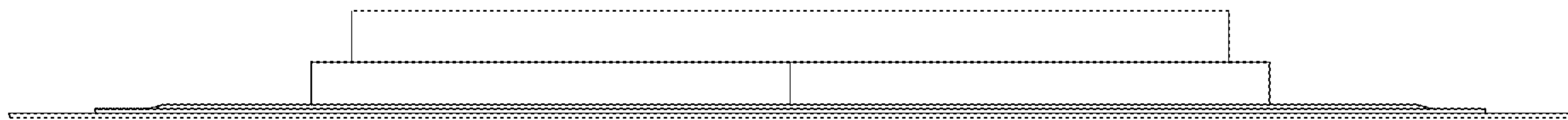


FIG. 6

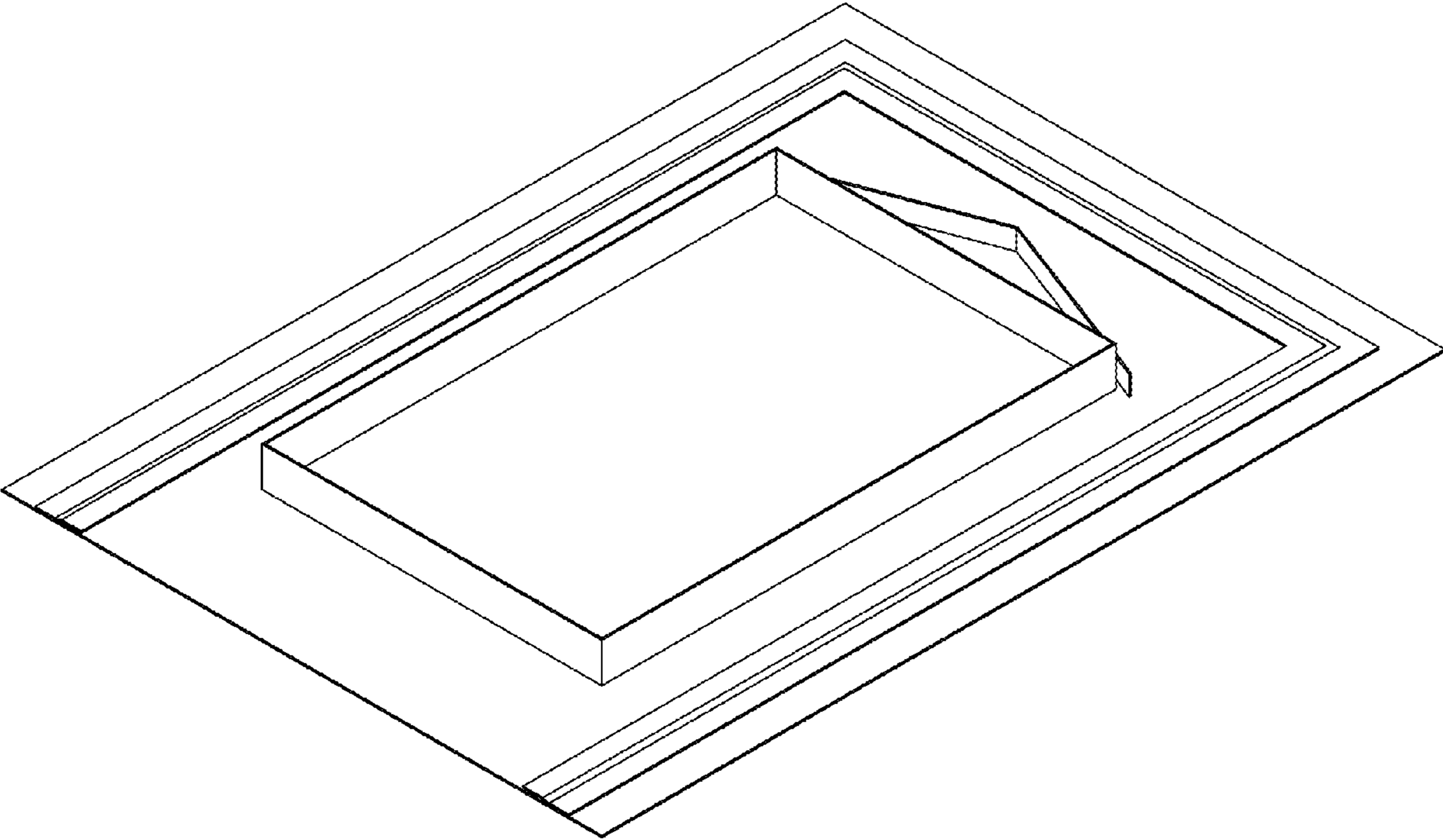


FIG. 7

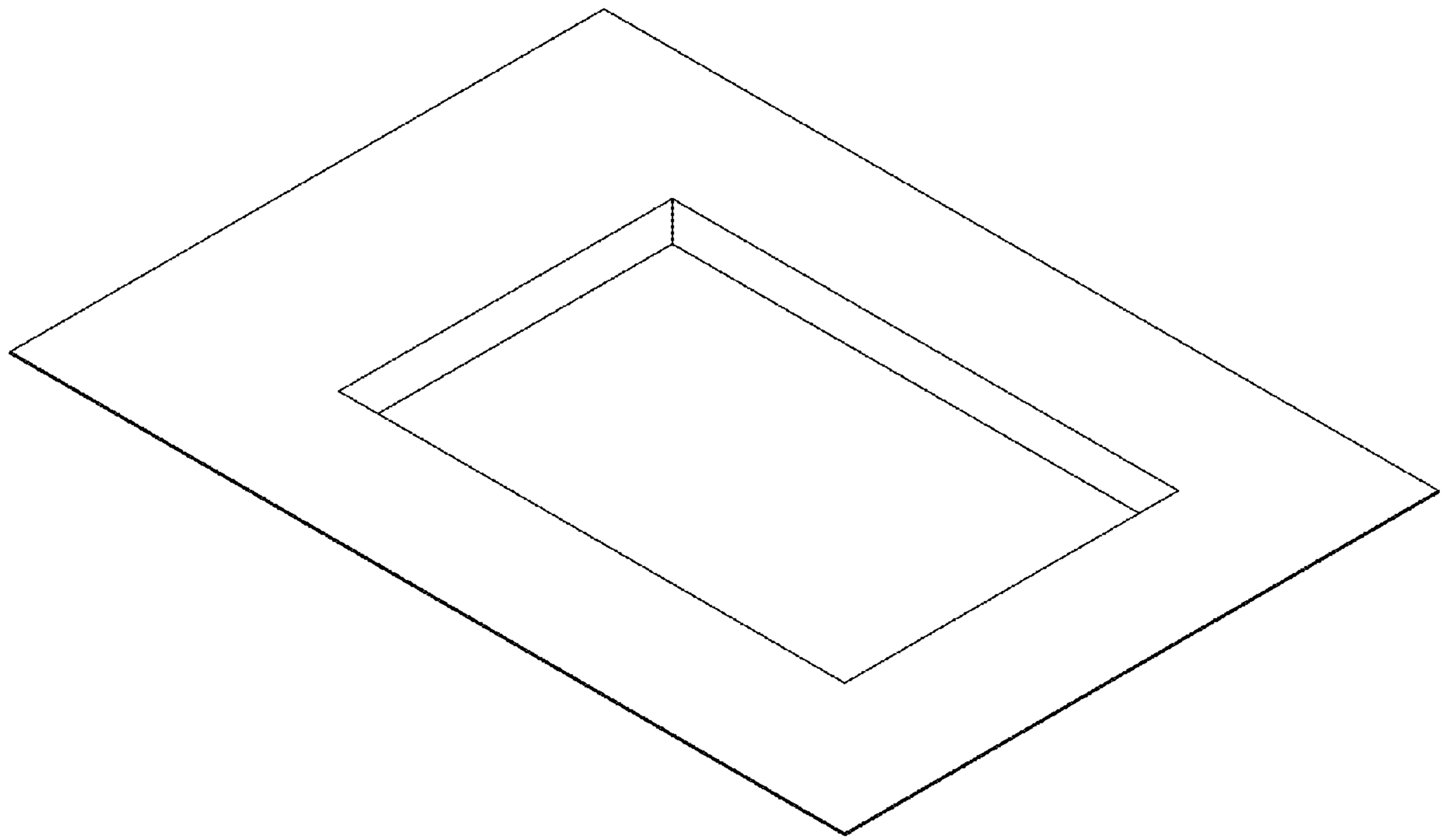


FIG. 8

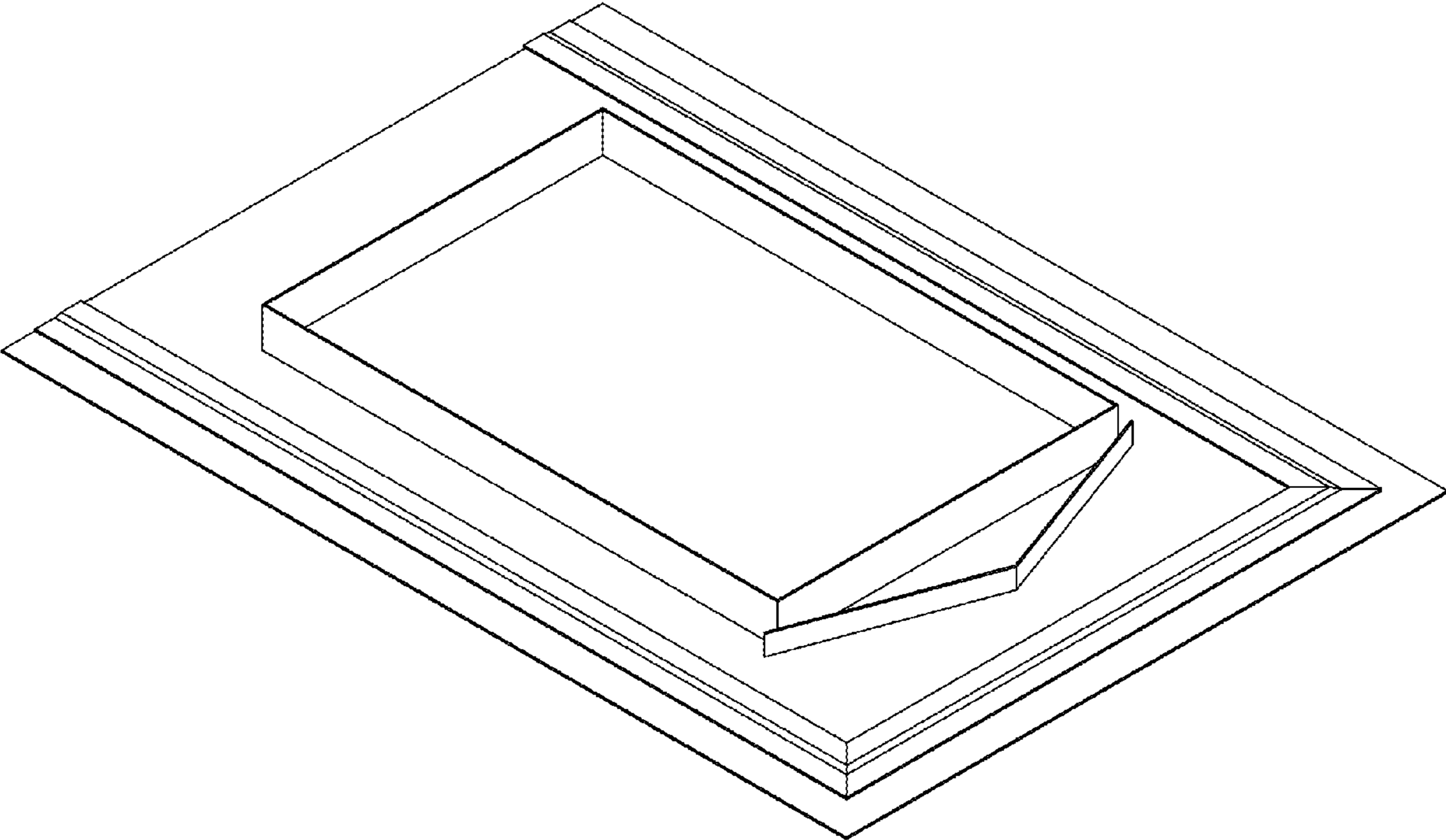


FIG. 9



FIG. 10