



US00D944964S

(12) **United States Design Patent**  
**Gu**

(10) **Patent No.:** **US D944,964 S**  
(45) **Date of Patent:** **\*\* Mar. 1, 2022**

- (54) **AIR BLOWER**
- (71) Applicant: **Yumin Gu**, La Puente, CA (US)
- (72) Inventor: **Yumin Gu**, La Puente, CA (US)
- (\*\*) Term: **15 Years**
- (21) Appl. No.: **29/738,945**
- (22) Filed: **Jun. 22, 2020**
- (51) **LOC (13) Cl.** ..... **23-04**
- (52) **U.S. Cl.**  
USPC ..... **D23/383**
- (58) **Field of Classification Search**  
USPC ..... D23/370, 381, 382, 383, 386, 387, 393,  
D23/411, 412  
CPC .. F04D 29/4226; F04D 29/281; F04D 29/441;  
F04D 25/06; F04D 25/08; F04D 25/082  
See application file for complete search history.

D636,863 S *	4/2011	Isoda	.....	D23/370
D708,730 S *	7/2014	Lei	.....	D23/383
D751,685 S *	3/2016	Wanezaki	.....	D23/386
D759,227 S *	6/2016	Lofy	.....	D23/370
D775,720 S *	1/2017	Liu	.....	D23/370
D815,722 S *	4/2018	Muller	.....	D23/370
D925,029 S *	7/2021	Vestergaard	.....	D23/393
2008/0286118 A1 *	11/2008	Gu	.....	F04C 28/24 417/1
2015/0316068 A1 *	11/2015	Tsai	.....	F04B 35/04 417/44.1
2017/0284413 A1 *	10/2017	Kim	.....	F04D 29/703
2019/0113218 A1 *	4/2019	Wiegel	.....	F04D 29/601
2019/0351344 A1 *	11/2019	Gu	.....	A63H 27/10

\* cited by examiner

*Primary Examiner* — Sharon S Oum

(57) **CLAIM**

The ornamental design for an air blower, as shown and described.

**DESCRIPTION**

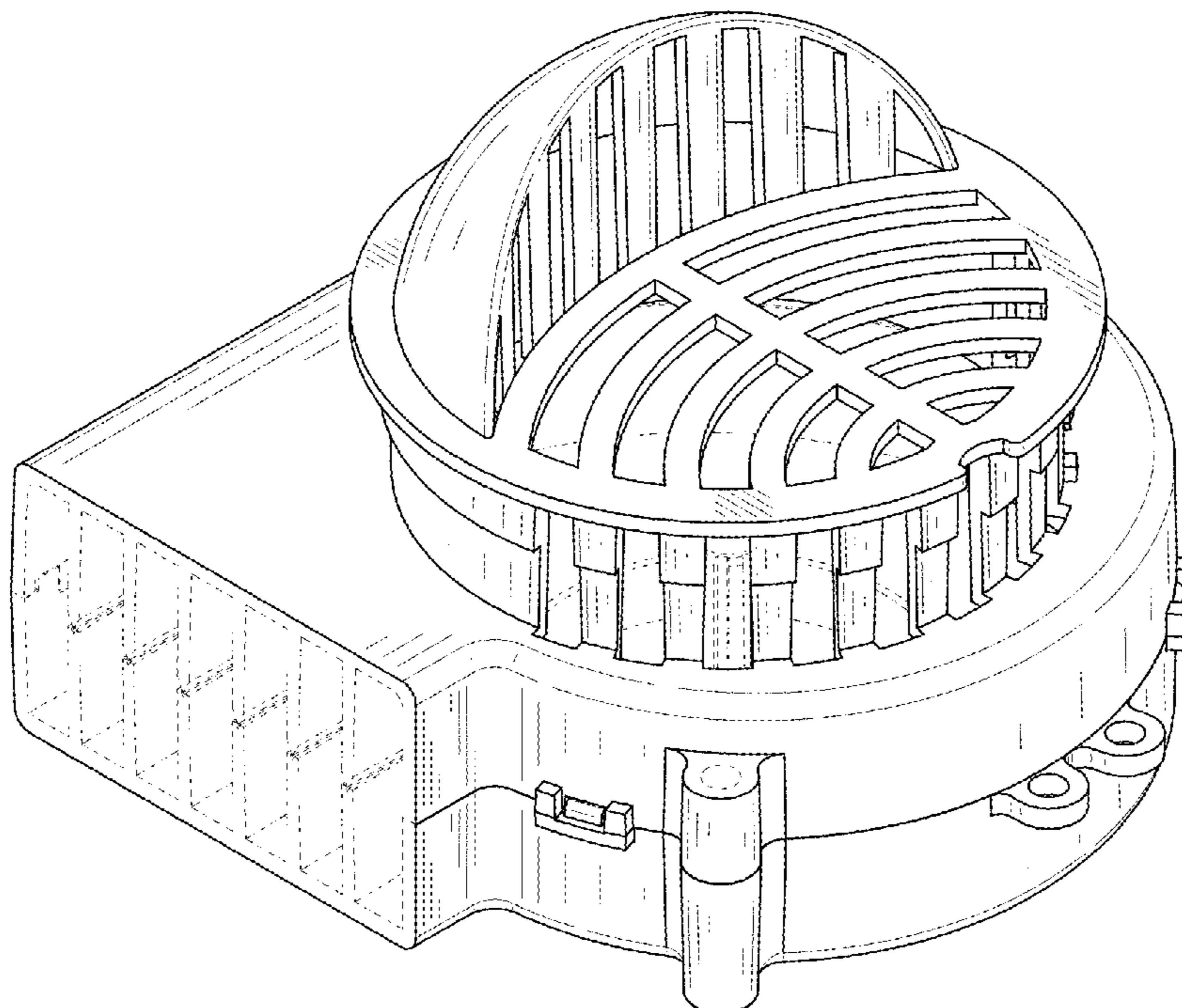
FIG. 1 is a first perspective view of an air blower showing my new design;  
 FIG. 2 is a second perspective view thereof;  
 FIG. 3 is a front view thereof;  
 FIG. 4 is a back view thereof;  
 FIG. 5 is a left side view thereof;  
 FIG. 6 is a right side view thereof;  
 FIG. 7 is a top view thereof; and,  
 FIG. 8 is a bottom view thereof.  
 The broken lines shown in the drawings depict portions of the air blower in which the design is embodied that form no part of the claimed design.

(56) **References Cited**

**U.S. PATENT DOCUMENTS**

3,627,442 A *	12/1971	Brandt	.....	F04D 29/424 415/206
D266,786 S *	11/1982	Schmidt	.....	D23/370
D289,680 S *	5/1987	Heob	.....	D23/386
D393,506 S *	4/1998	Ohi	.....	D32/15
D439,648 S *	3/2001	Jones	.....	D23/370
D443,054 S *	5/2001	Spaggiari	.....	B60H 1/00471 D23/370
D488,857 S *	4/2004	Wintersteen	.....	D23/370
D508,122 S *	8/2005	Murphy	.....	D23/387
D540,455 S *	4/2007	Ferraro, Sr.	.....	D23/383
D546,435 S *	7/2007	Guzorek	.....	D23/370
D576,266 S *	9/2008	Yamakami	.....	D23/383
D634,418 S *	3/2011	Li	.....	D23/383

**1 Claim, 8 Drawing Sheets**



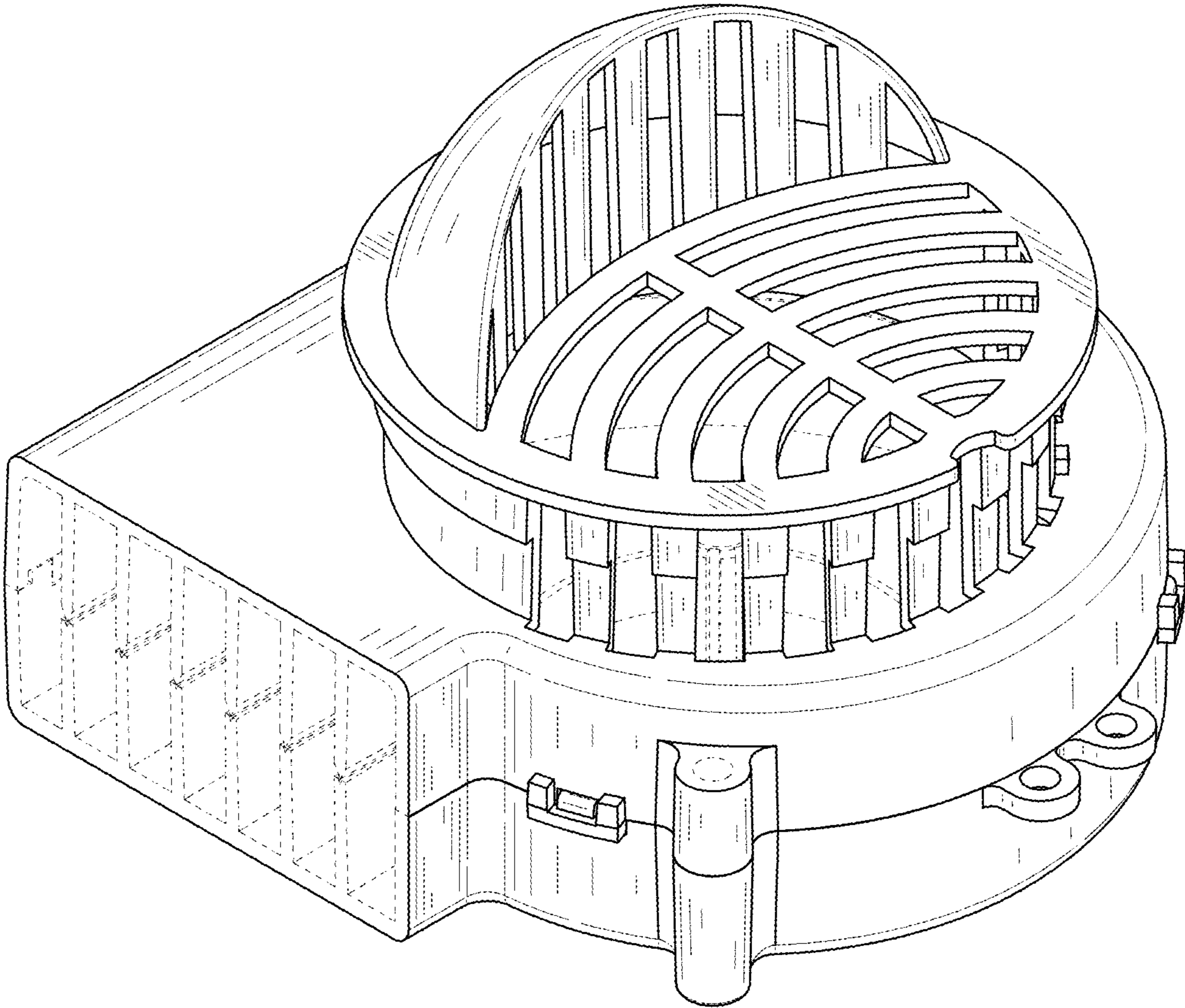


FIG. 1

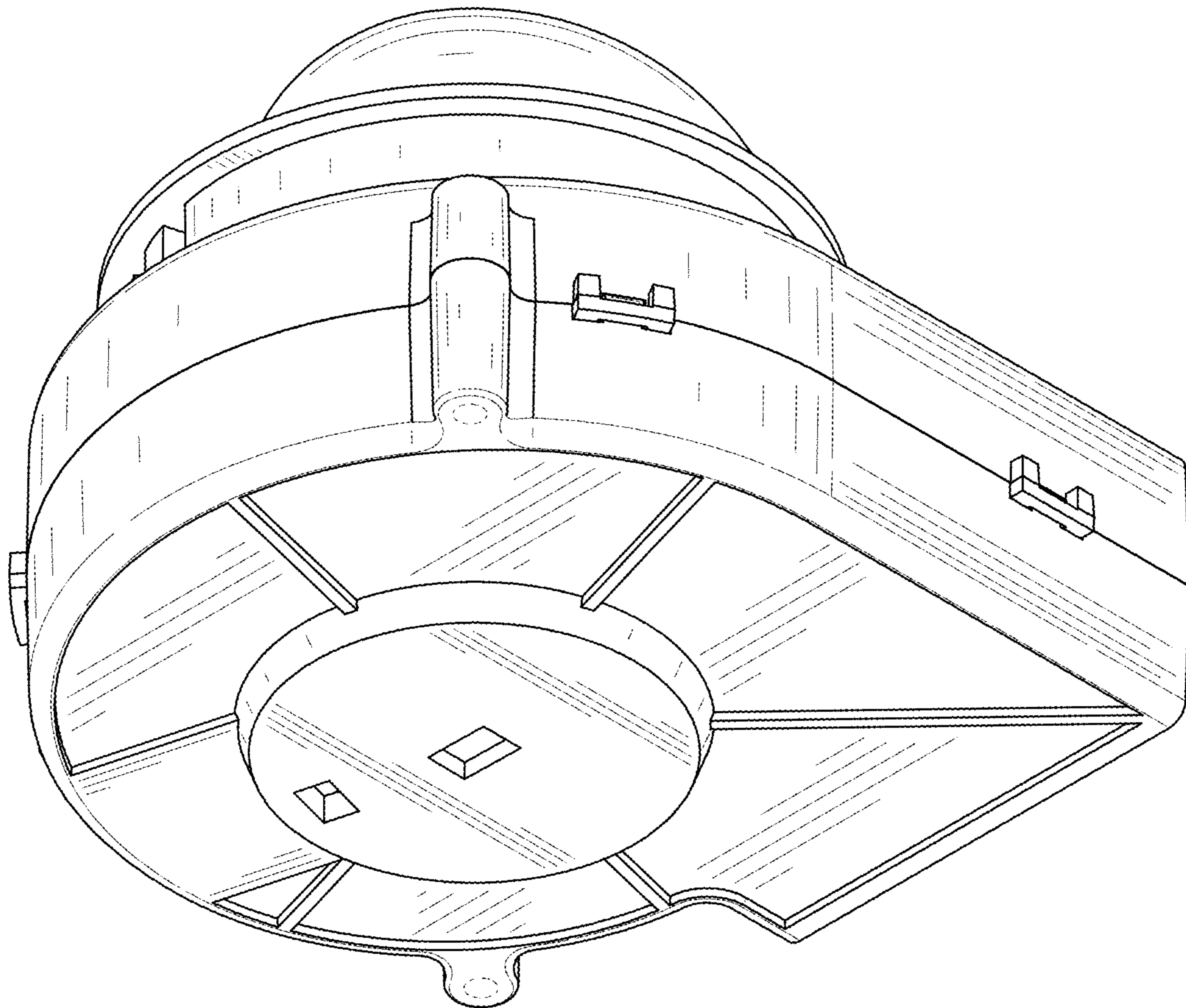


FIG. 2

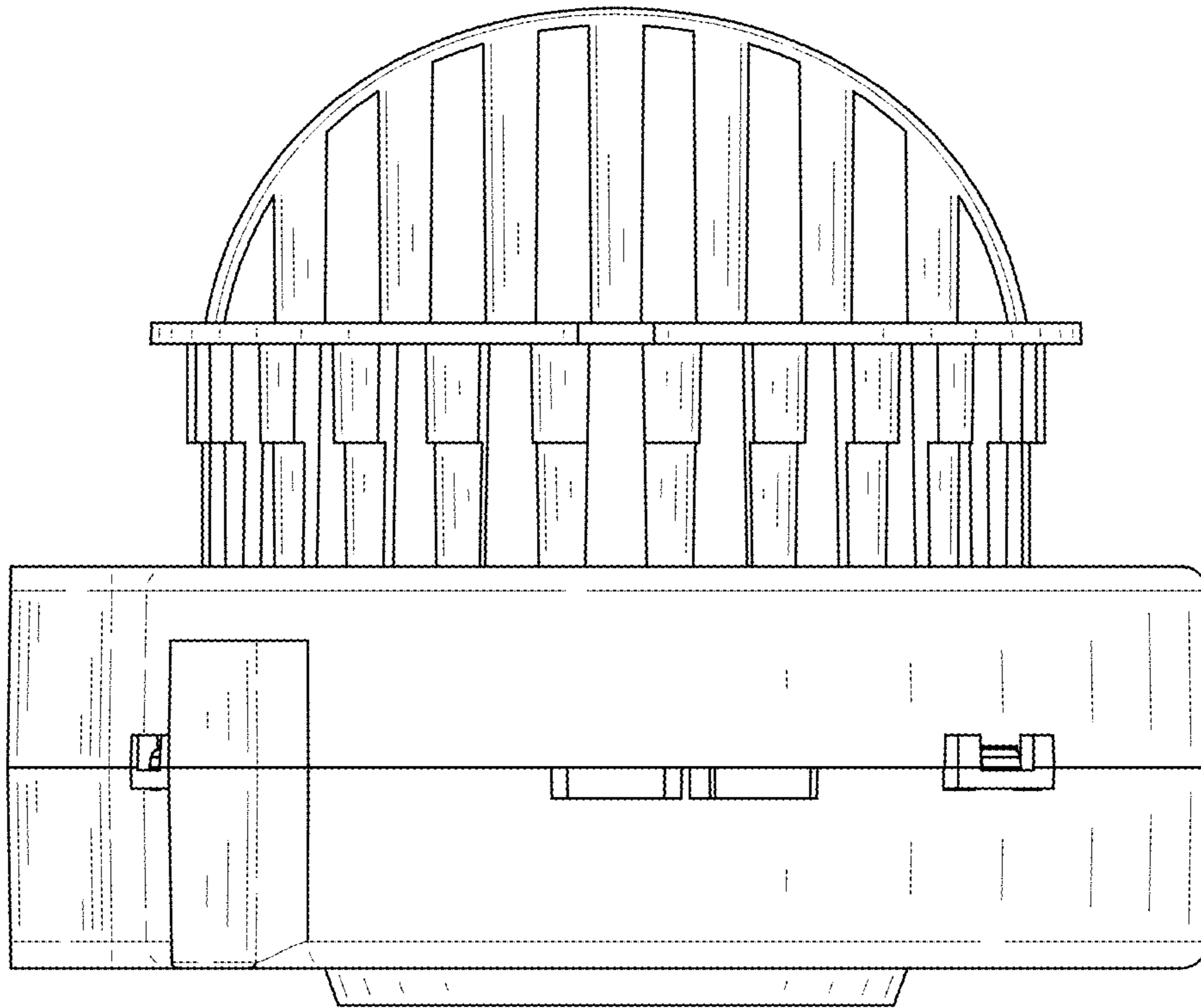


FIG. 3

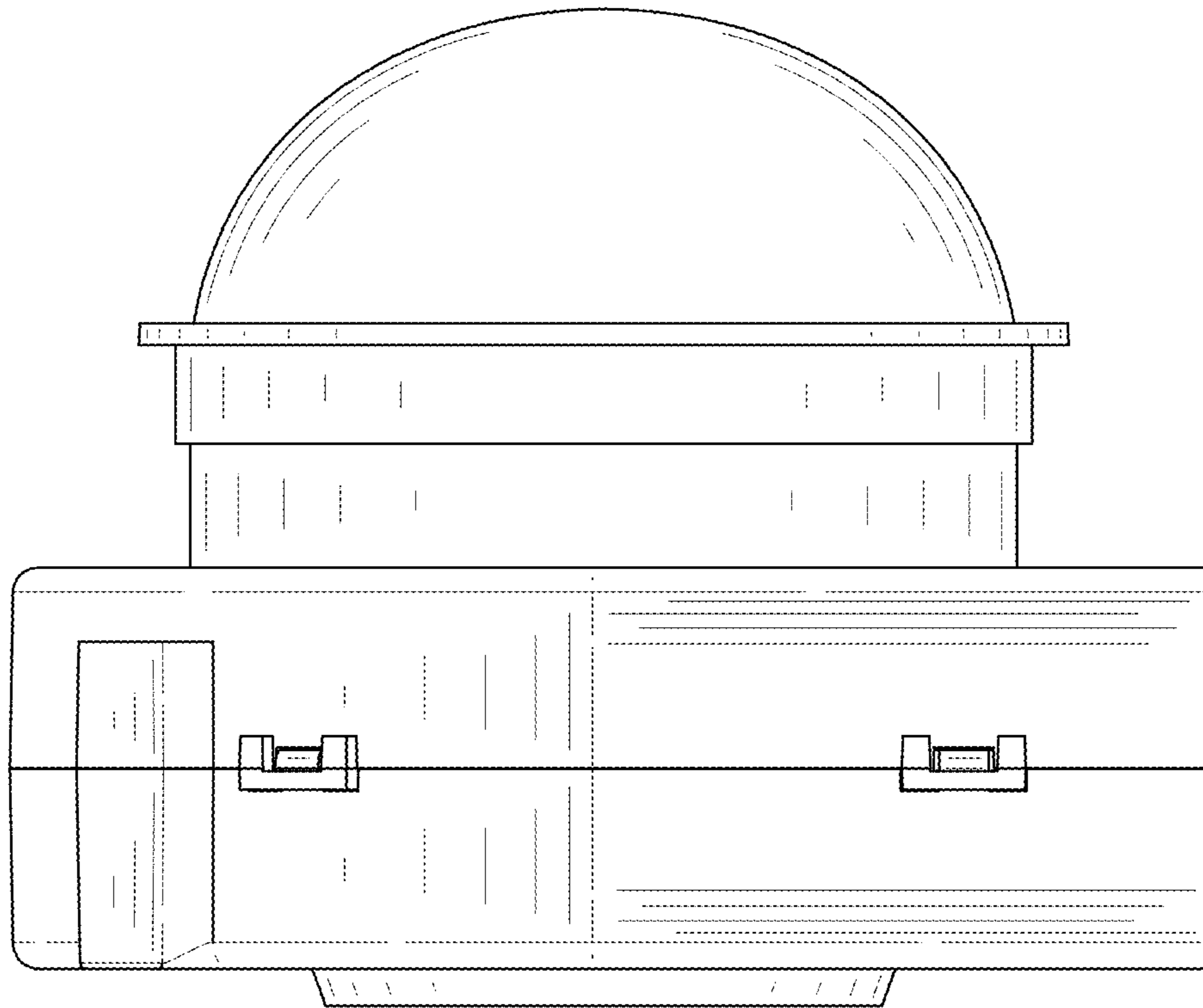


FIG. 4

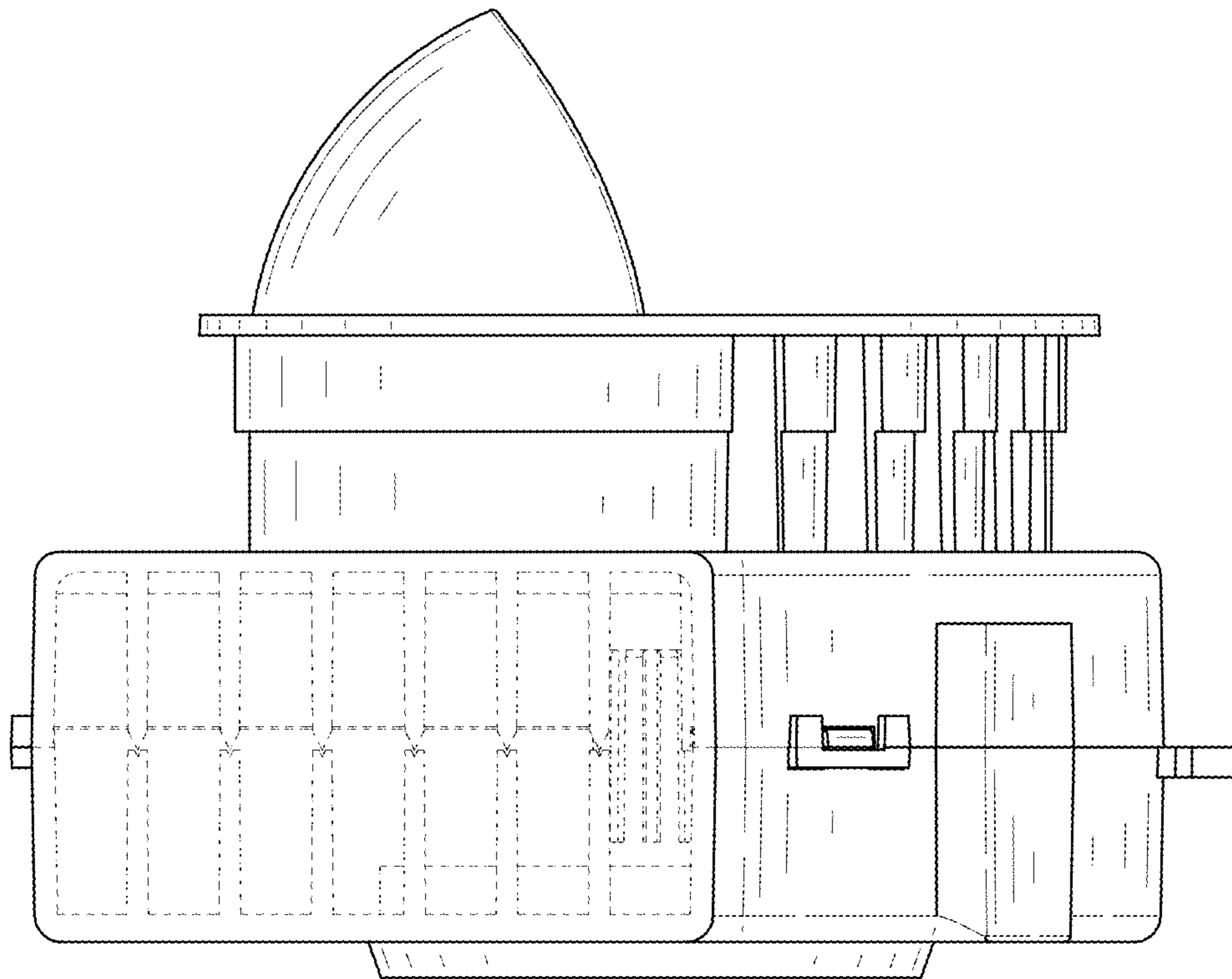


FIG. 5

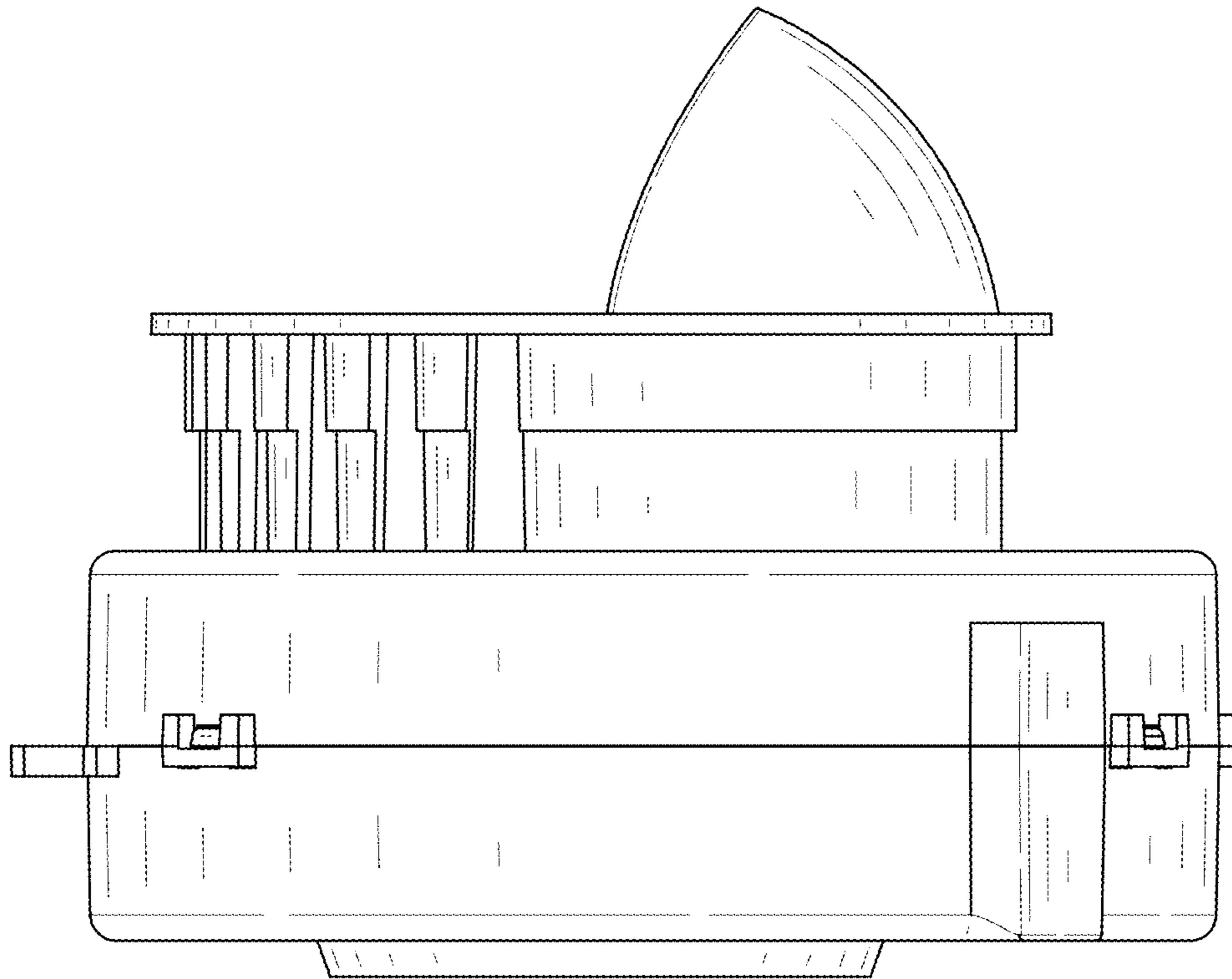


FIG. 6

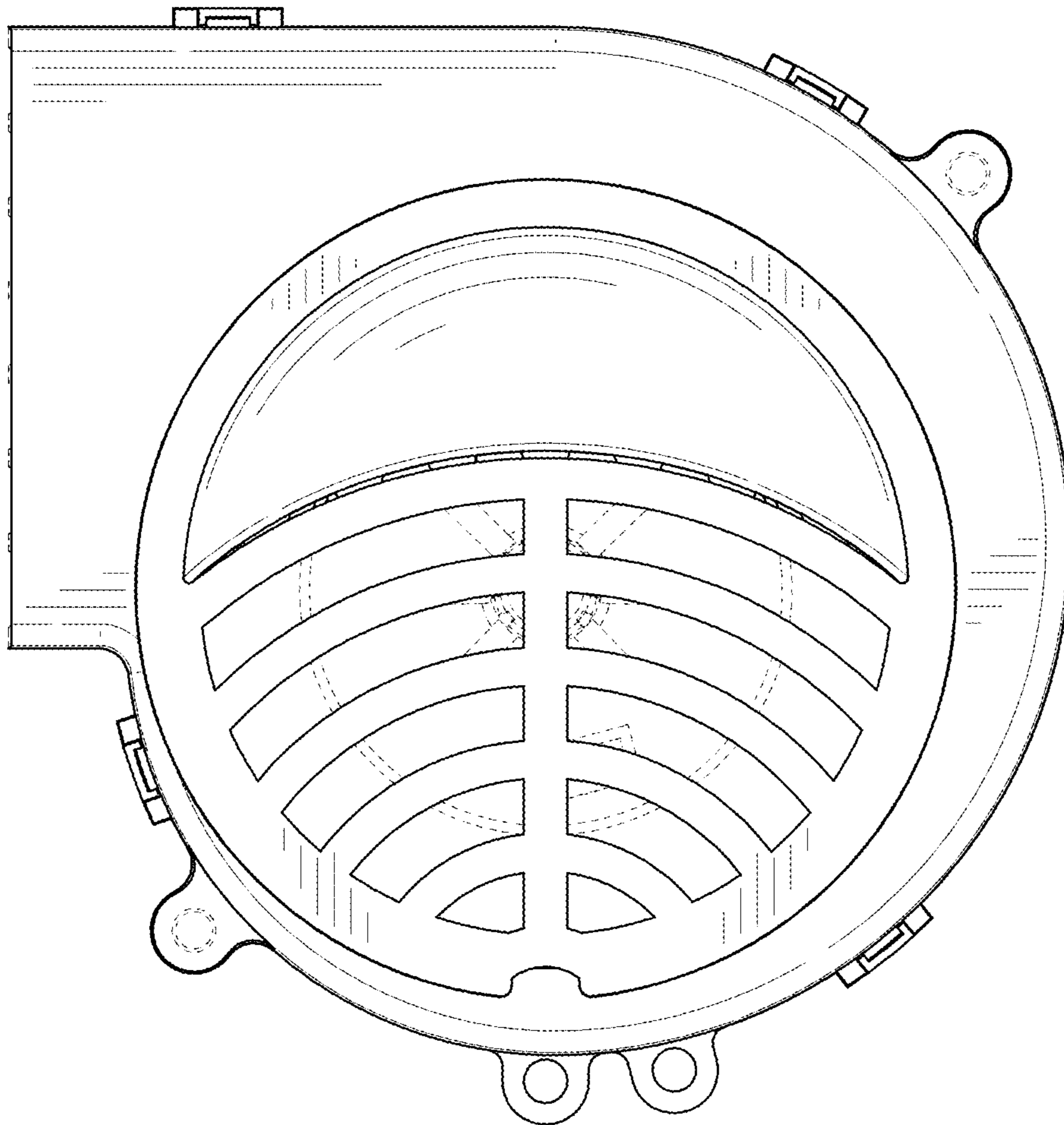


FIG. 7



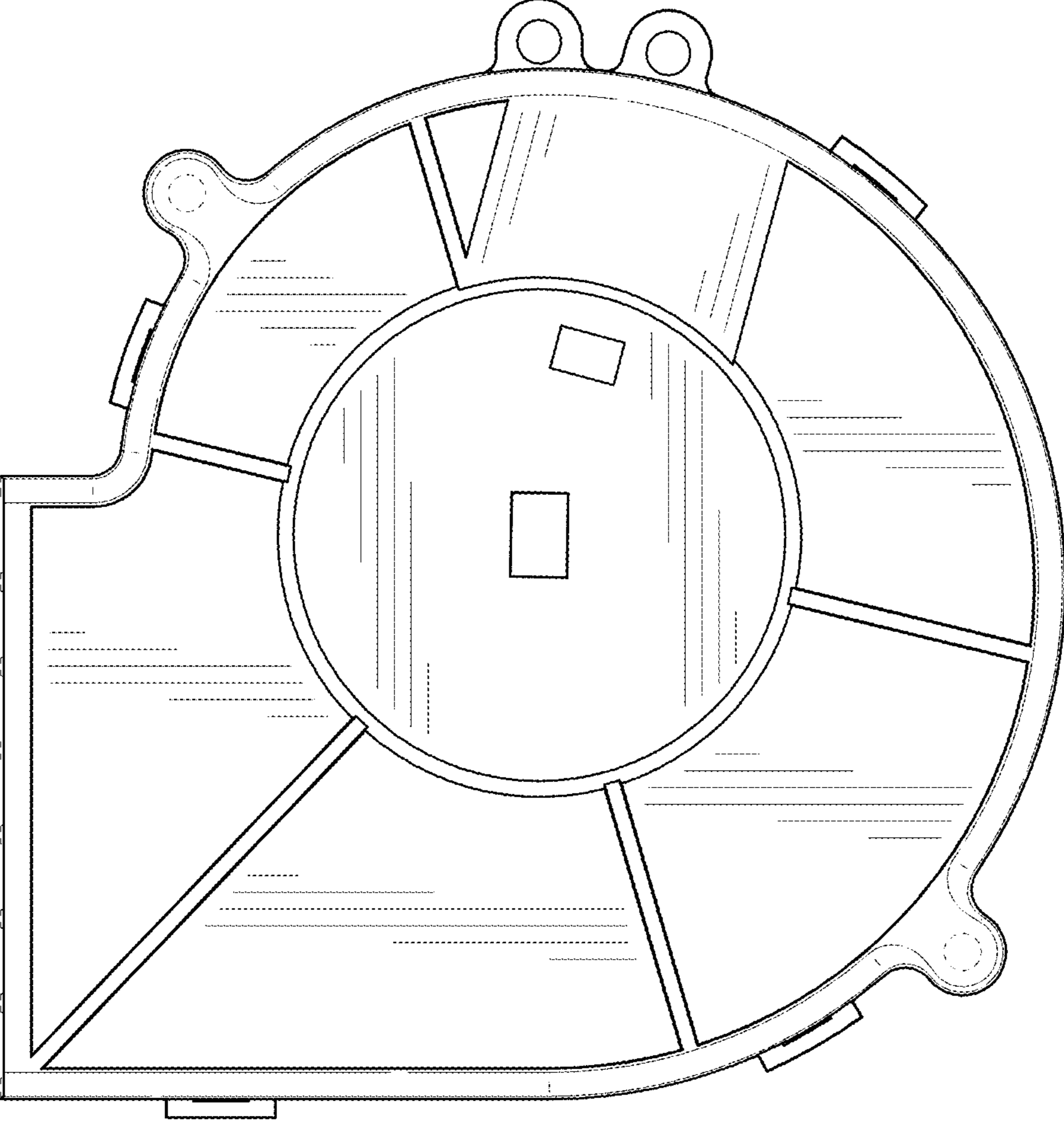


FIG. 8