



US00D944963S

(12) **United States Design Patent**  
**Huang**

(10) **Patent No.:** **US D944,963 S**

(45) **Date of Patent:** **\*\* Mar. 1, 2022**

(54) **ELECTRIC FAN**

(71) Applicant: **Shuilan Huang**, Shenzhen (CN)

(72) Inventor: **Shuilan Huang**, Shenzhen (CN)

(73) Assignee: **Shenzhen Fascent Technology Co., Ltd.**, Shenzhen (CN)

(\*\*) Term: **15 Years**

(21) Appl. No.: **29/735,571**

(22) Filed: **May 22, 2020**

(51) **LOC (13) Cl.** ..... **23-04**

(52) **U.S. Cl.**  
USPC ..... **D23/382**

(58) **Field of Classification Search**  
USPC ..... D23/200, 223, 228, 314, 328, 332, 333,  
D23/335, 336, 337, 351, 355, 356, 370,  
D23/371, 378-380, 381, 382, 383,  
D23/411-412  
CPC .... F04D 25/0673; F04D 25/08; F04D 25/084;  
F04D 29/4226

See application file for complete search history.

(56) **References Cited**

**U.S. PATENT DOCUMENTS**

D674,476 S *	1/2013	Junkel .....	D23/370
D824,012 S *	7/2018	Xu .....	D23/382
D827,121 S *	8/2018	Wang .....	D23/378
D855,171 S *	7/2019	Xu .....	D23/382

D881,371 S *	4/2020	Hollinger .....	D23/382
D884,146 S *	5/2020	Hollinger .....	D23/382
D890,324 S *	7/2020	Xu .....	D23/382
D898,180 S *	10/2020	Du .....	D23/382
D905,843 S *	12/2020	Chen .....	D23/382
2020/0240578 A1 *	7/2020	Chen .....	F16M 11/2014
2021/0079931 A1 *	3/2021	Hu .....	F04D 25/0673

\* cited by examiner

*Primary Examiner* — Sharon S Oum

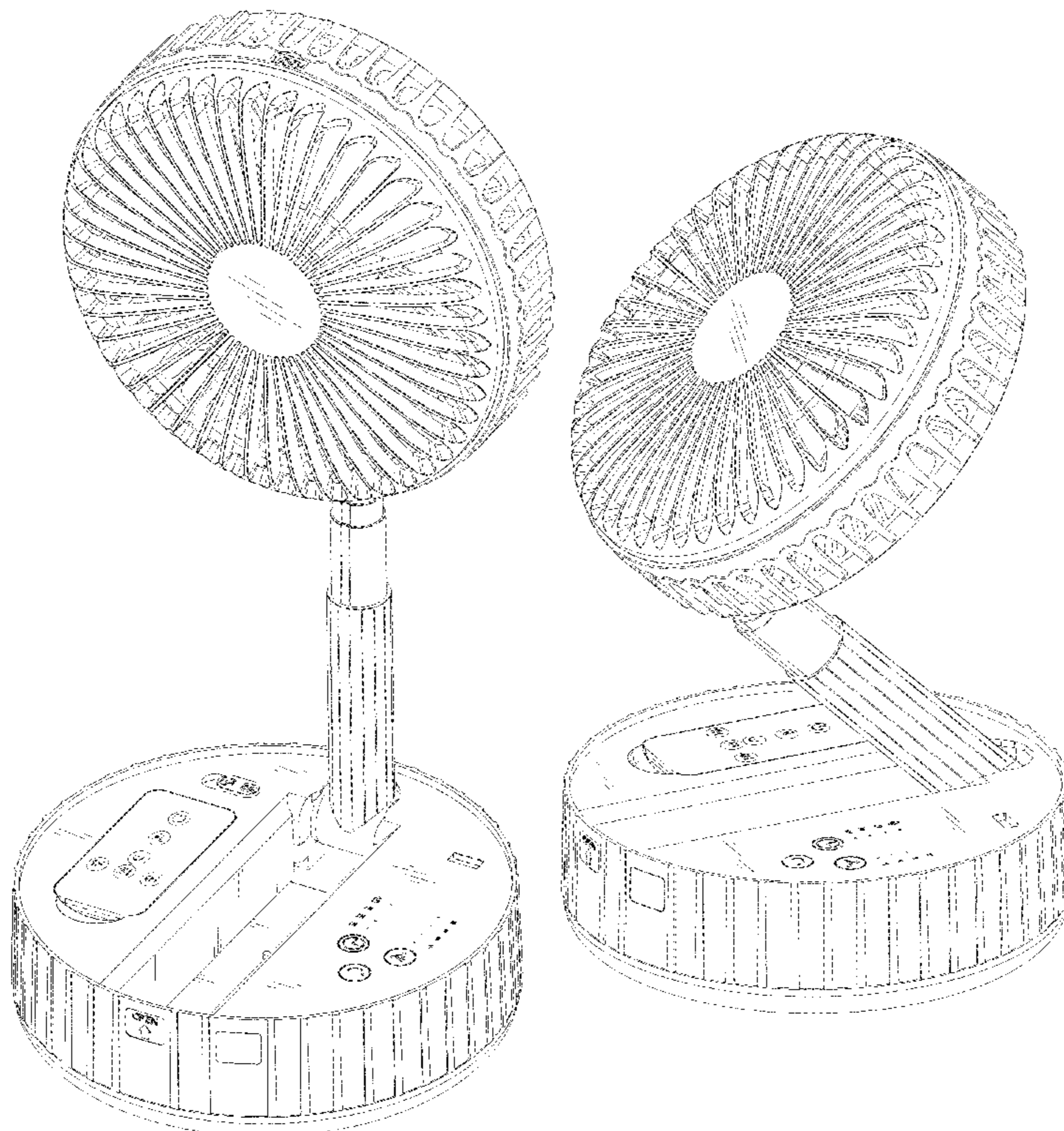
(57) **CLAIM**

The ornamental design for an electric fan, as shown and described.

**DESCRIPTION**

FIG. 1 is a front, top perspective view of an electric fan showing my new design;  
 FIG. 2 is a rear, bottom perspective view thereof;  
 FIG. 3 is a front elevational view thereof;  
 FIG. 4 is a rear elevational view thereof;  
 FIG. 5 is a left side elevational view thereof;  
 FIG. 6 is a right side elevational view thereof;  
 FIG. 7 is a top plan view thereof;  
 FIG. 8 is a bottom plan view thereof;  
 FIG. 9 is a front, top perspective view thereof, but shown in a folded position;  
 FIG. 10 is a front, top perspective view thereof, but shown in a closed position;  
 FIG. 11 is a rear, bottom perspective view thereof;  
 FIG. 12 is a front, top perspective view thereof, but showing the body of an electric fan in an extended position; and,  
 FIG. 13 is another front, top perspective view thereof, but shown with the remote control in a detached position.

**1 Claim, 13 Drawing Sheets**





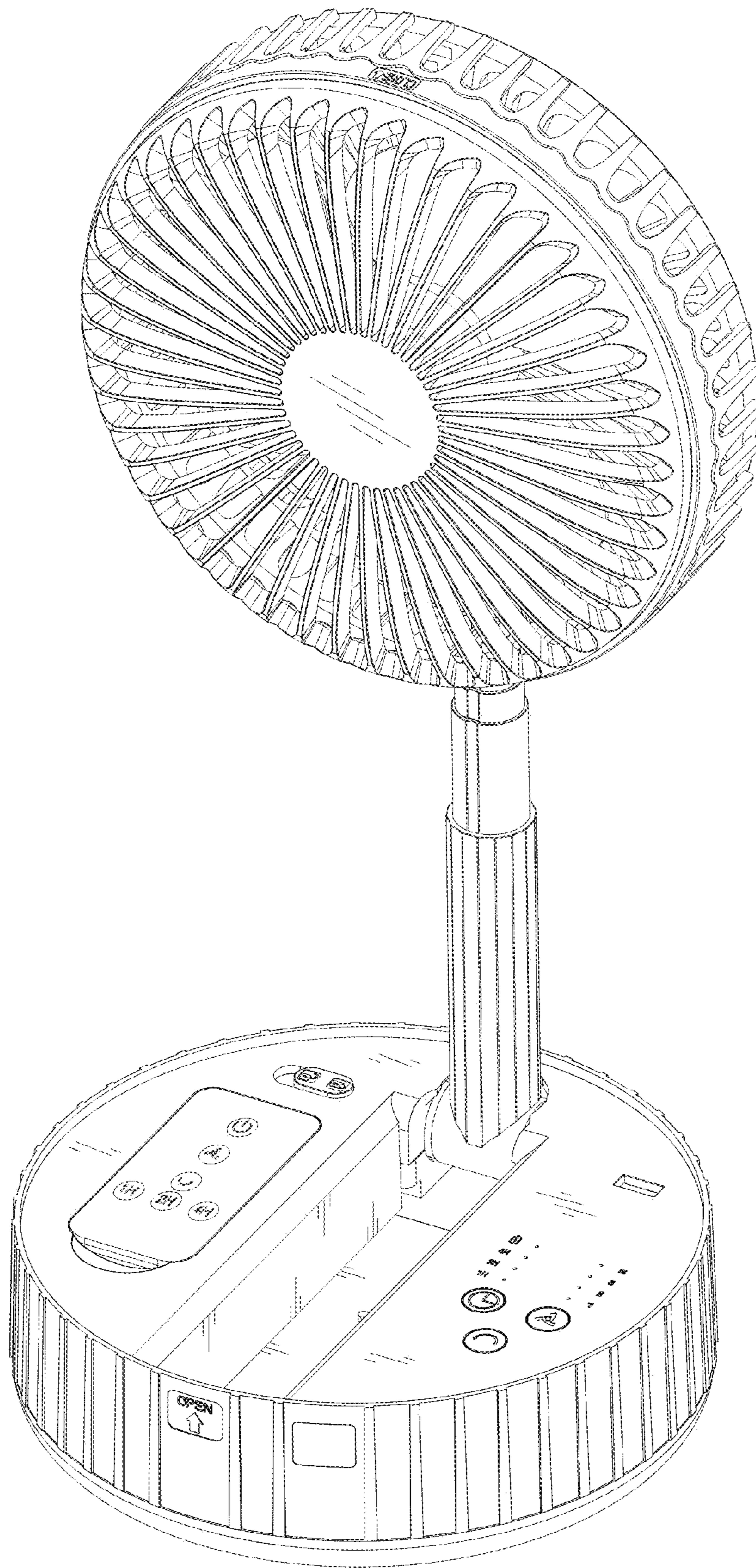


FIG. 1

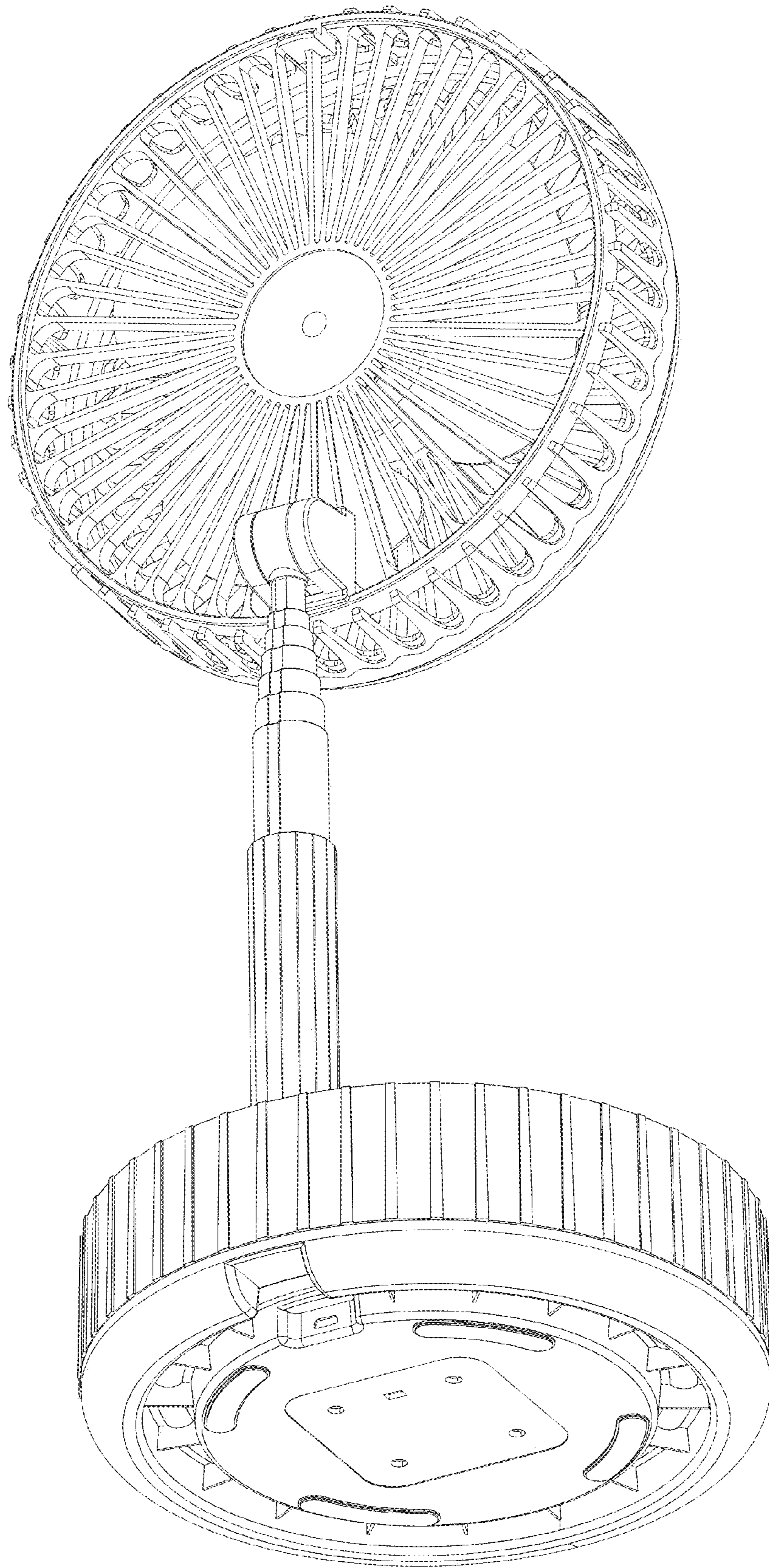


FIG. 2



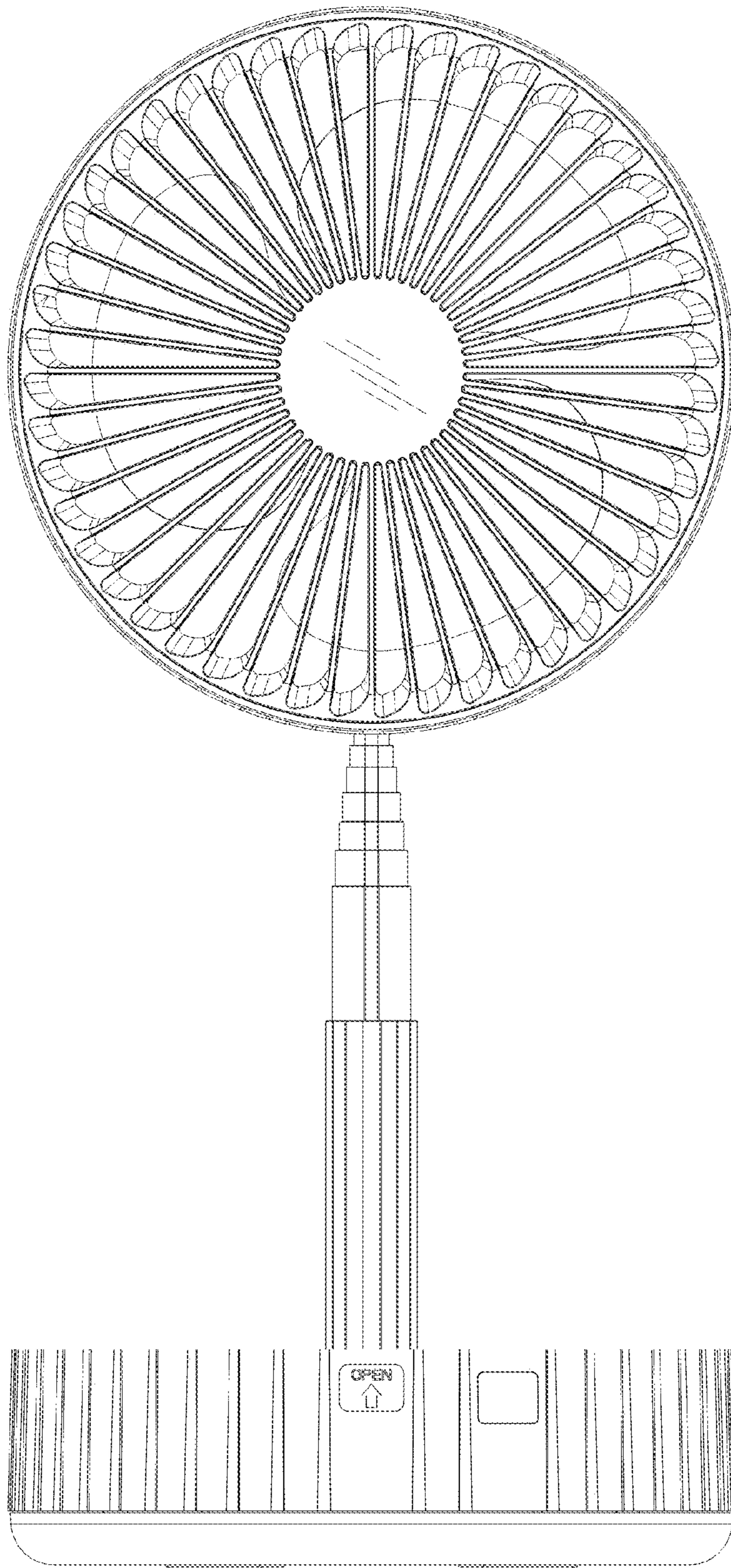


FIG. 3

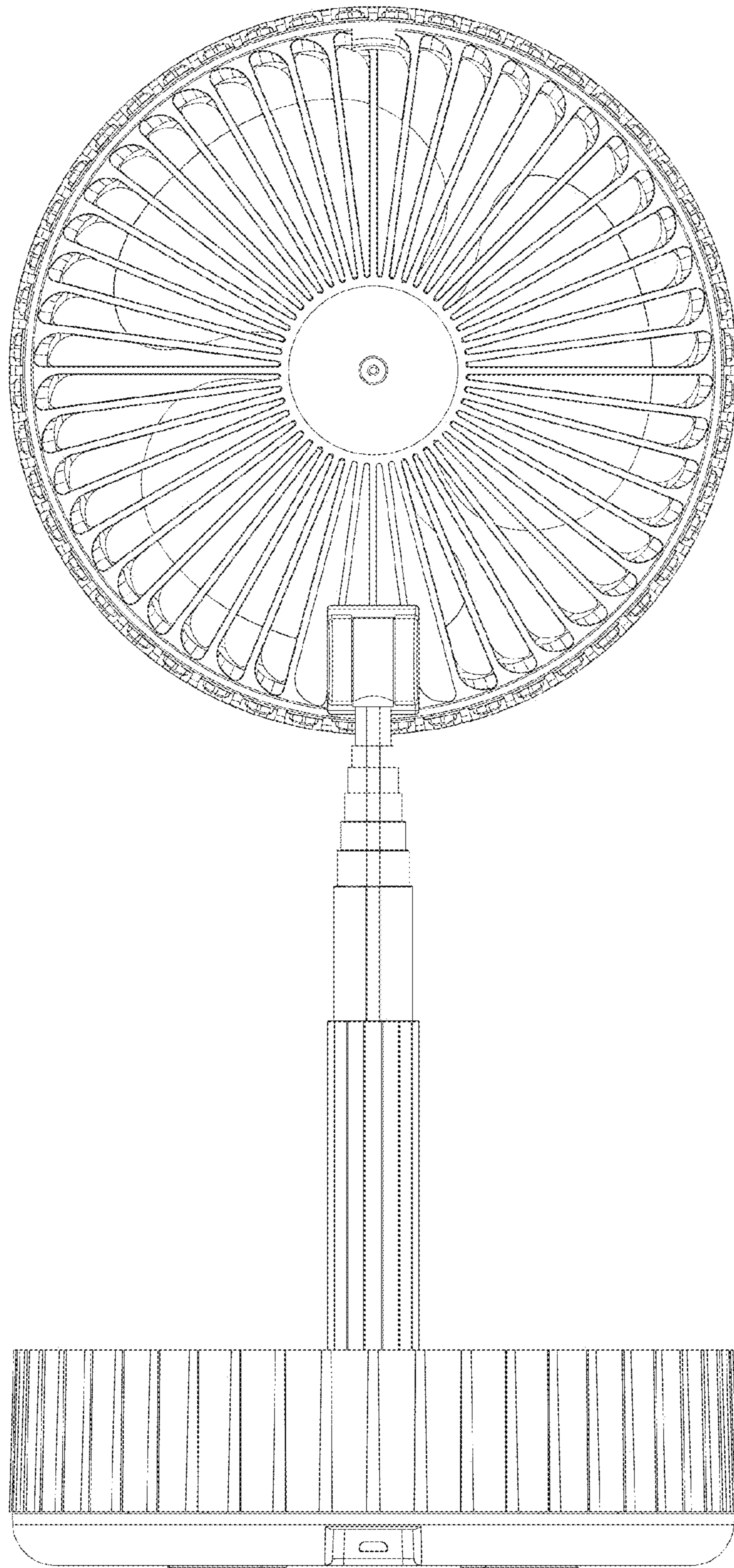


FIG. 4



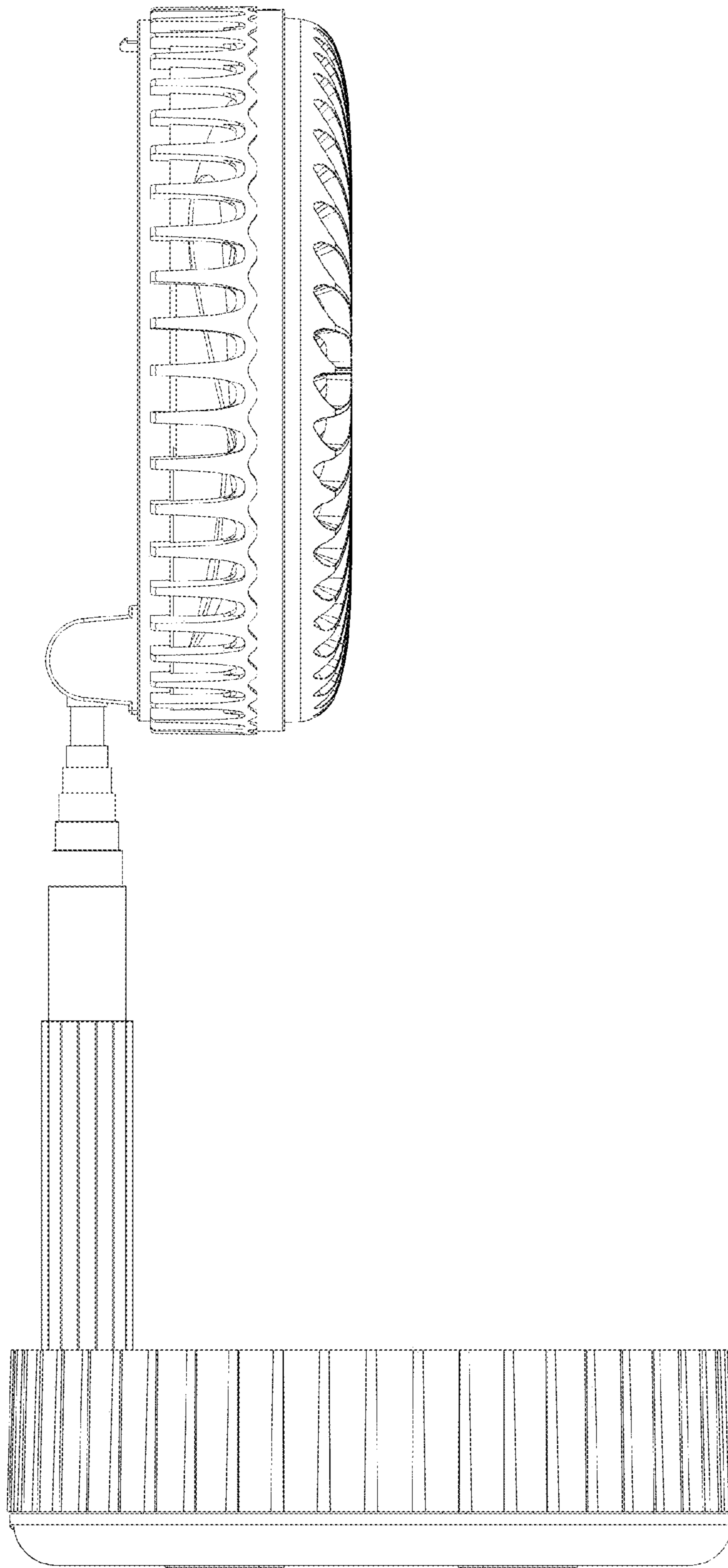


FIG. 5

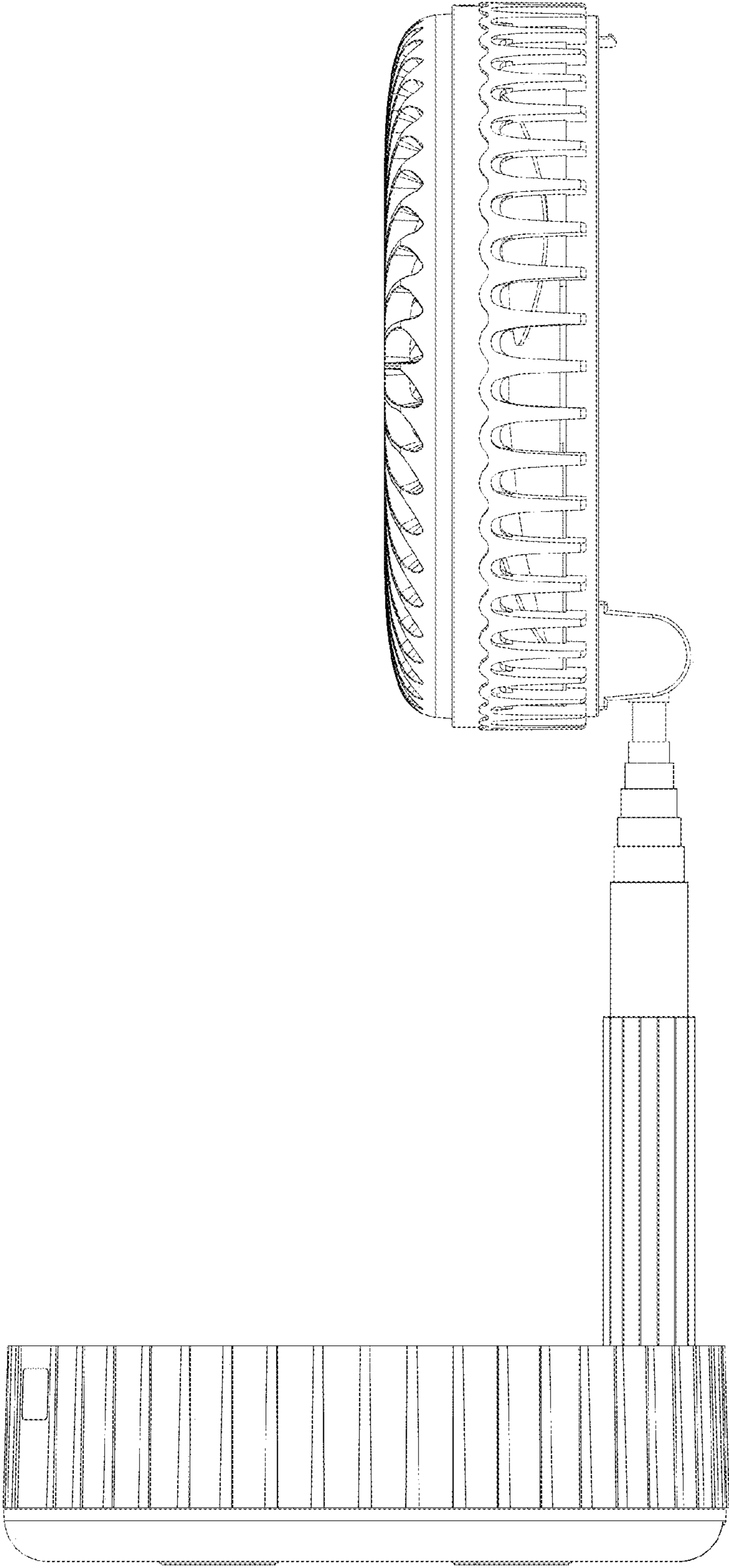


FIG. 6

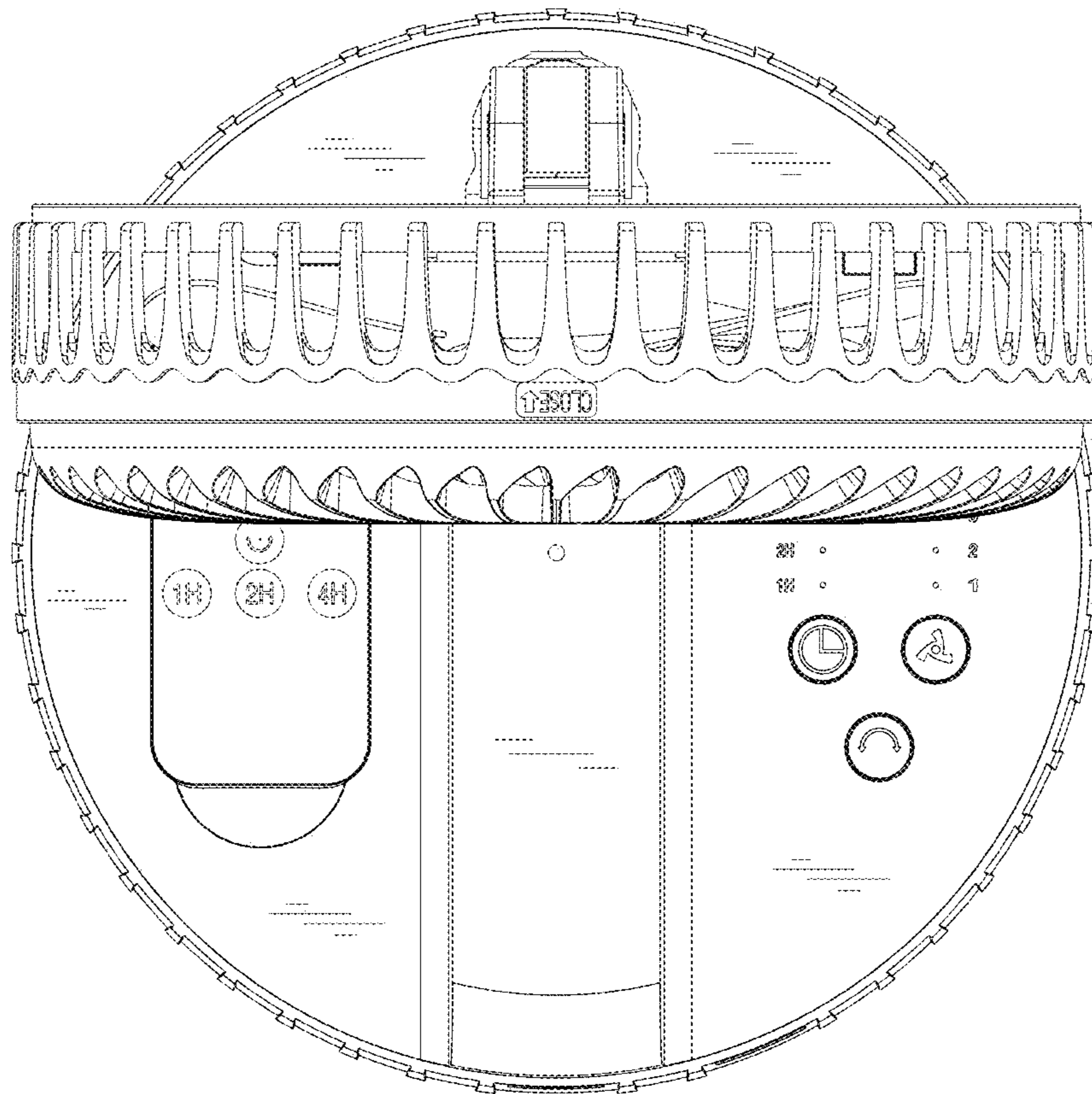


FIG. 7



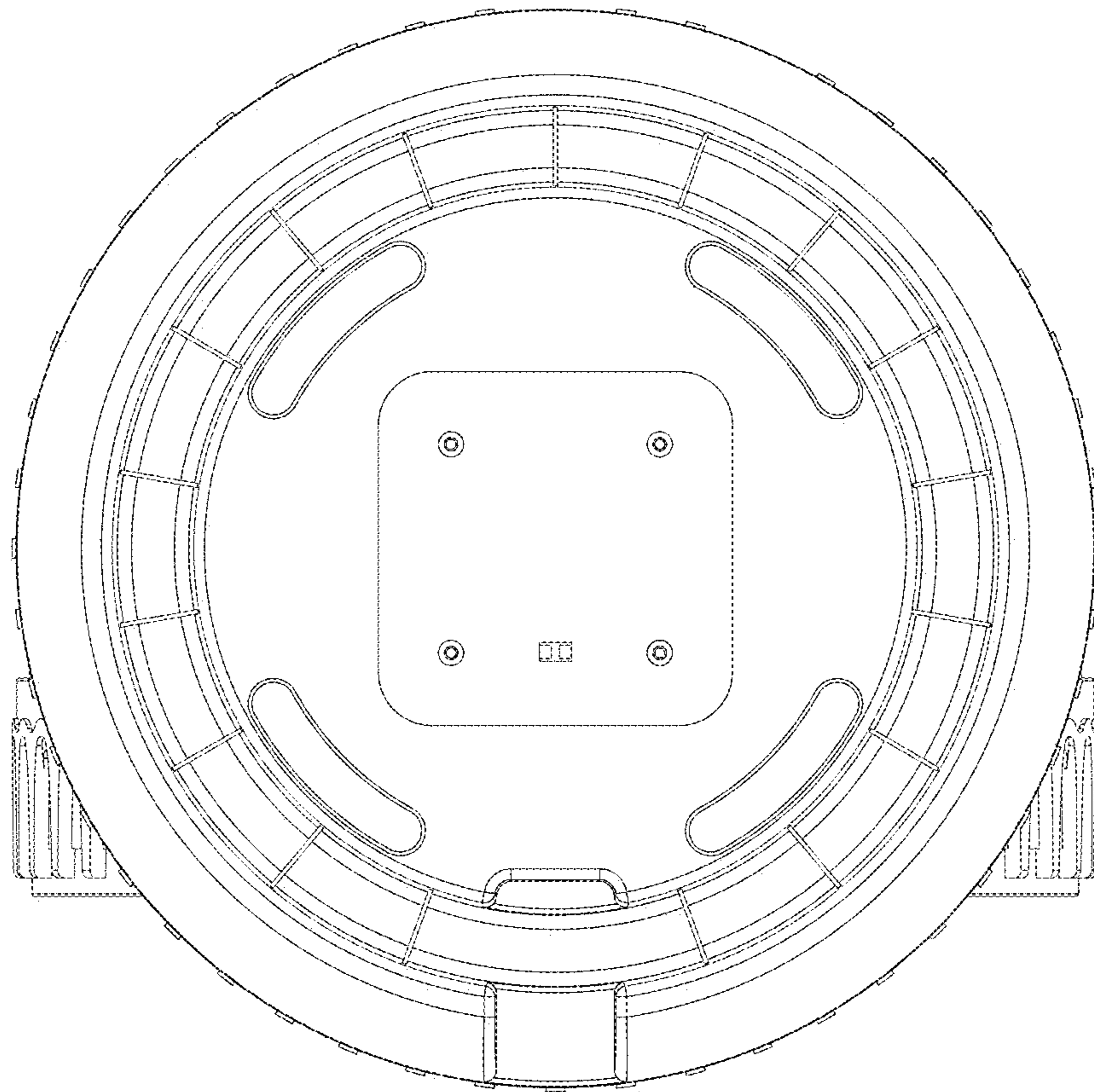


FIG. 8

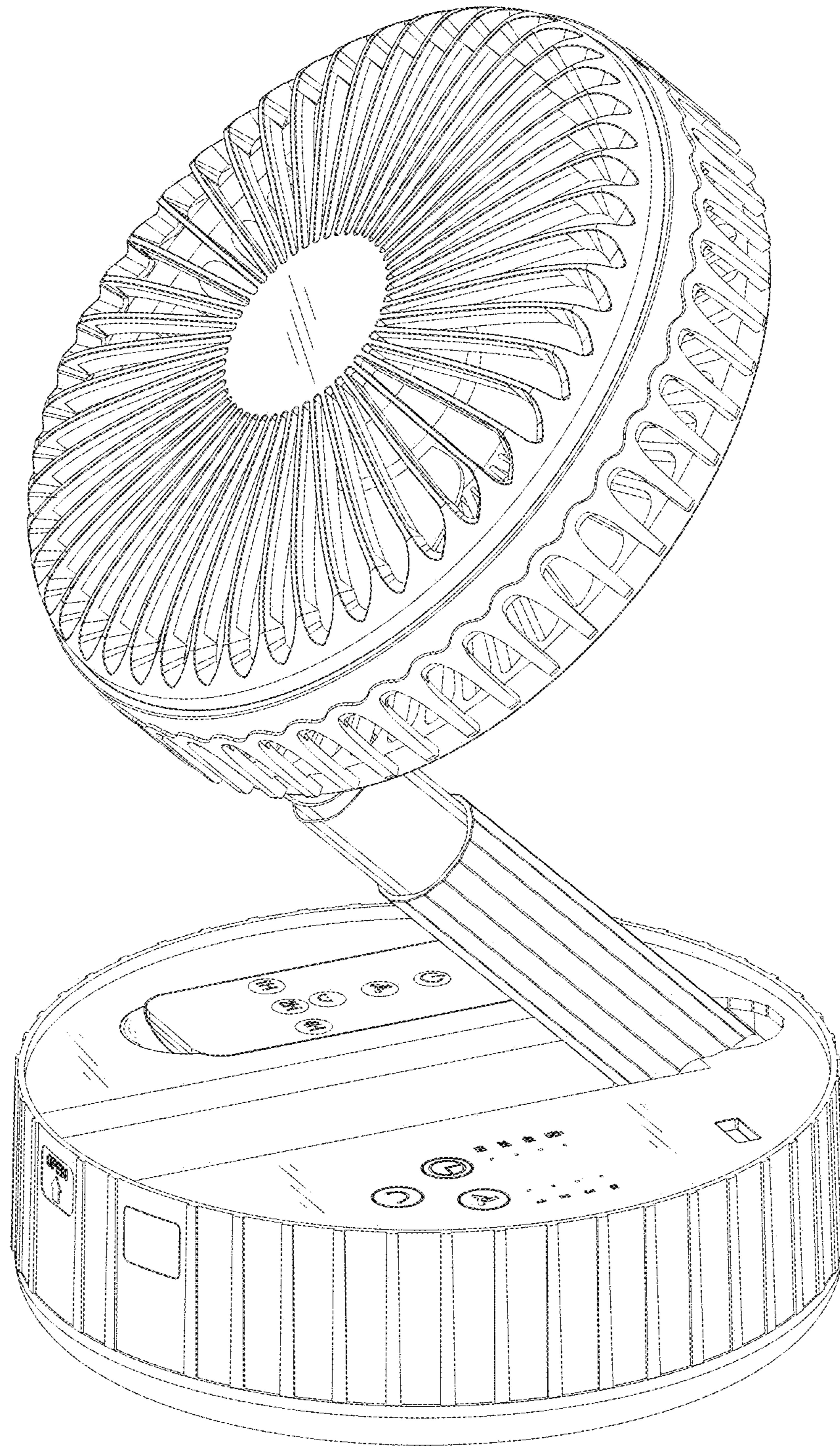


FIG. 9



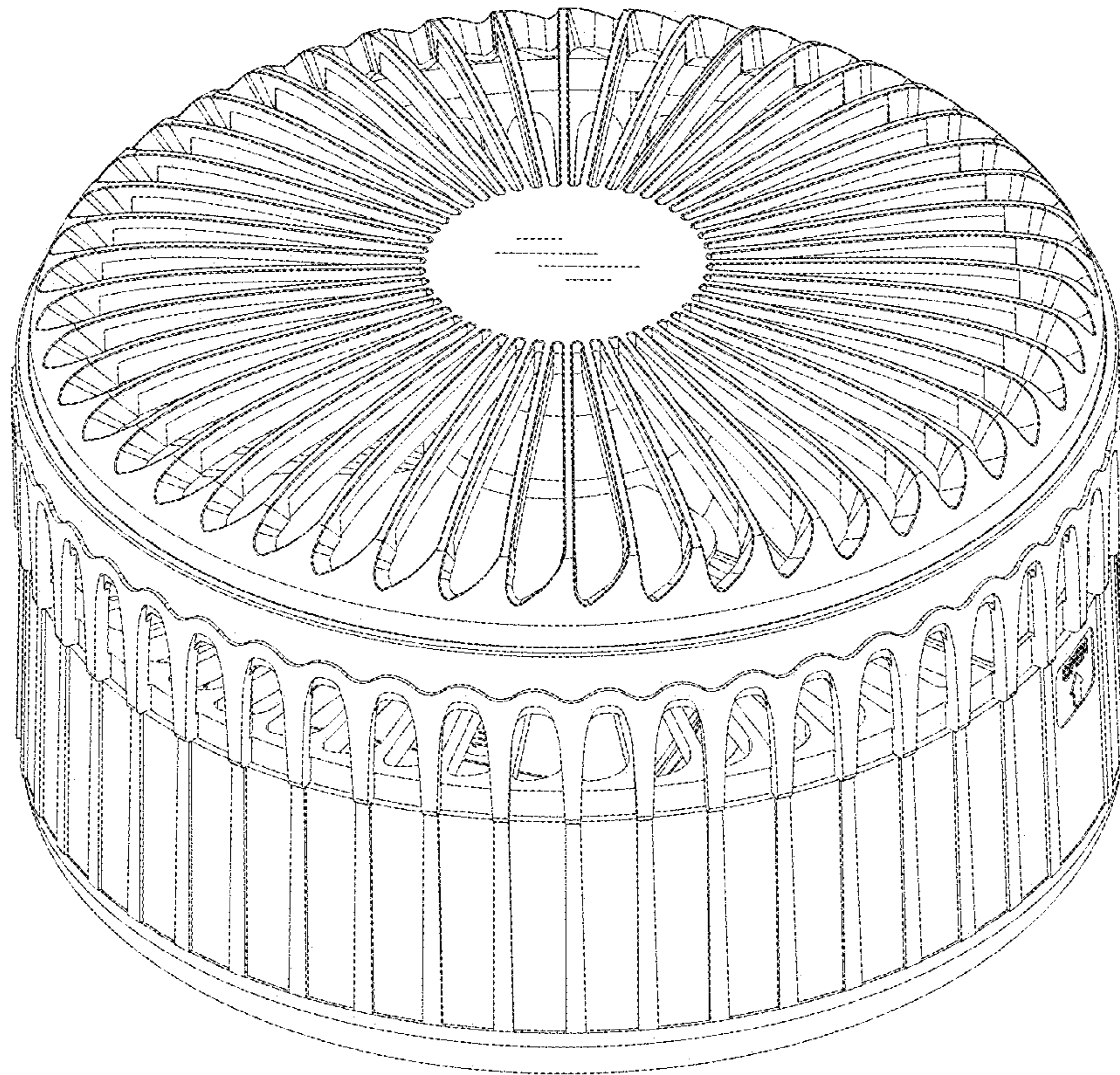


FIG. 10

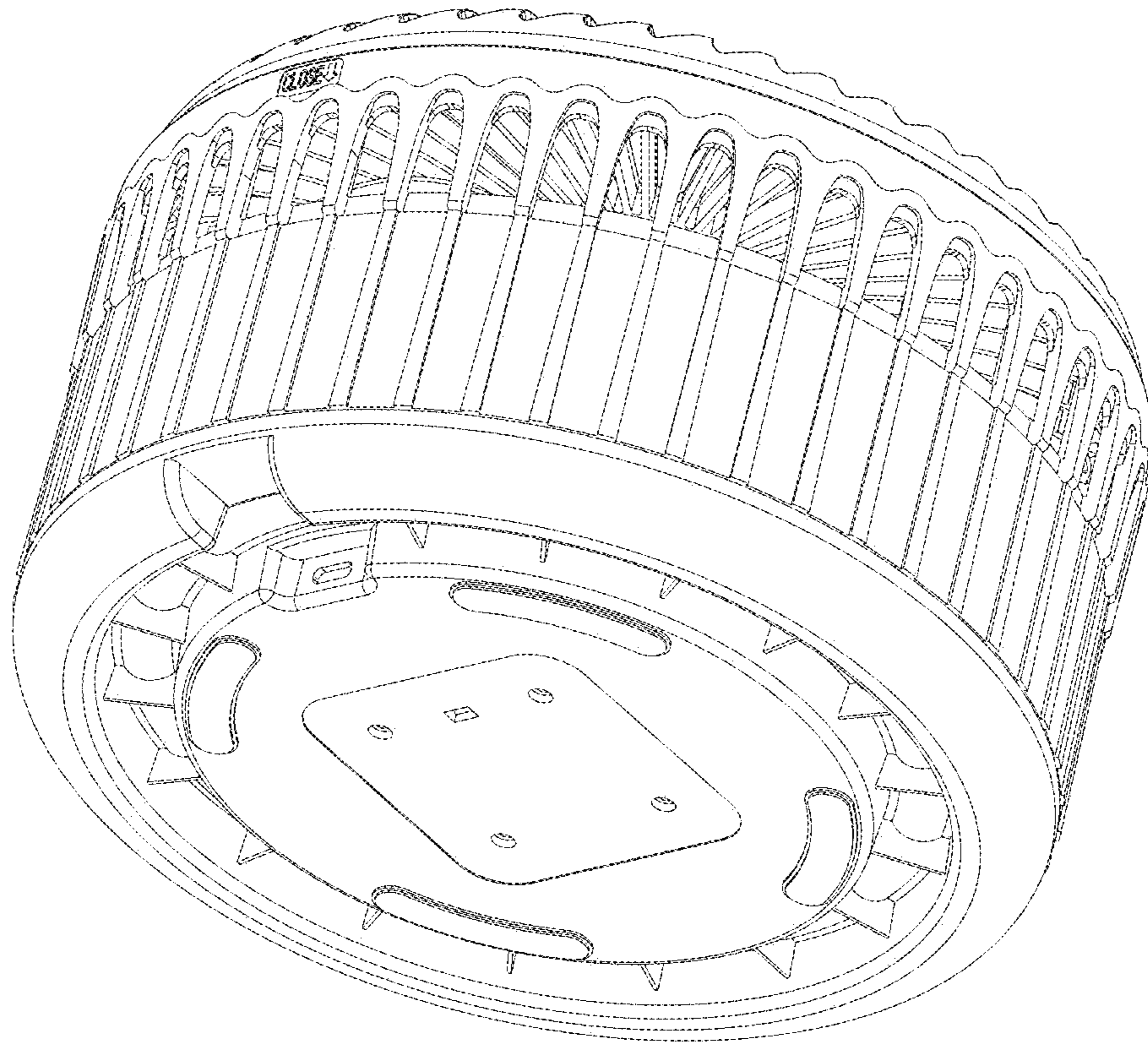


FIG. 11



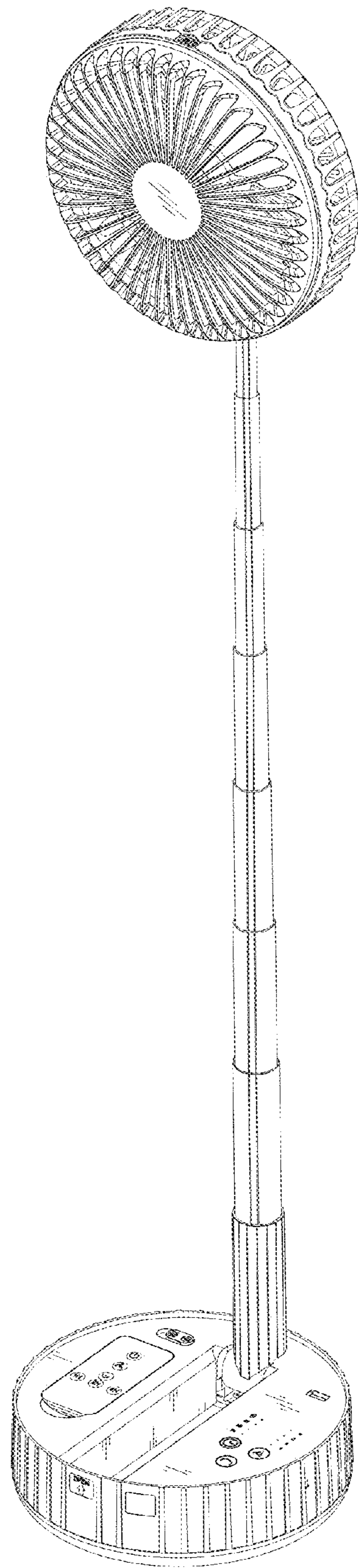


FIG. 12

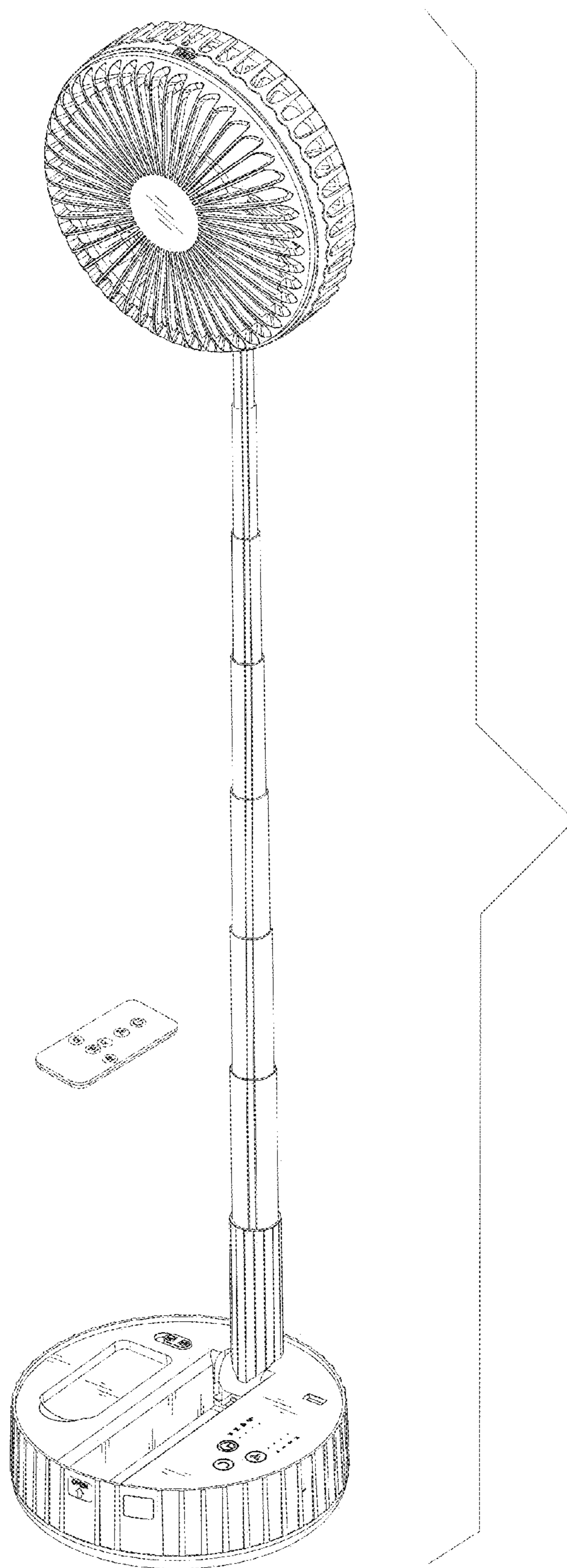


FIG. 13