



US00D944960S

(12) **United States Design Patent** (10) **Patent No.:** **US D944,960 S**  
**Wuidart et al.** (45) **Date of Patent:** **\*\* Mar. 1, 2022**

(54) **PERFUME CAPSULE FOR FRAGRANCE  
DIFFUSER**

(71) Applicant: **ARTIRIS**, Paris (FR)

(72) Inventors: **Aymeric Wuidart**, Levallois-Perret (FR); **David Lopez-Bonet**, Paris (FR)

(73) Assignee: **Artiris**, Paris (FR)

(\*\*) Term: **15 Years**

(21) Appl. No.: **29/697,103**

(22) Filed: **Jul. 3, 2019**

(30) **Foreign Application Priority Data**

Jan. 4, 2020 (EM) ..... 005948650-0003

(51) **LOC (13) Cl.** ..... **23-04**

(52) **U.S. Cl.**  
USPC ..... **D23/366**

(58) **Field of Classification Search**  
USPC ..... D23/209, 355, 356, 358, 359, 360, 364,  
D23/365, 366; D7/316, 505; D9/435,  
D9/444, 504, 519, 529, 686; D11/131.1;  
D28/89; D99/5  
CPC . A61L 9/03; A61L 9/012; A61L 9/015; A61L  
9/037; F41J 1/01  
See application file for complete search history.

(56) **References Cited**

U.S. PATENT DOCUMENTS

D416,995 S \* 11/1999 Malanga ..... D23/365  
D440,294 S \* 4/2001 Bilek ..... D23/365  
D615,149 S \* 5/2010 Reid ..... D23/209  
D711,502 S \* 8/2014 Savoy ..... D23/209  
D718,416 S \* 11/2014 Reilly ..... D23/209  
D735,293 S \* 7/2015 Schwartz ..... D23/209  
D737,518 S \* 8/2015 Yiu ..... D28/62  
D824,441 S \* 7/2018 Fenton ..... D15/144.2

D852,347 S \* 6/2019 Cunningham ..... D23/366  
D865,144 S \* 10/2019 Yoo ..... D23/333  
D879,276 S \* 3/2020 King, Jr. .... D23/365  
D881,366 S \* 4/2020 Kihm ..... D23/366  
D885,519 S \* 5/2020 Suzuki ..... D23/209  
D892,974 S \* 8/2020 Allen ..... D23/209  
D895,095 S \* 9/2020 Li ..... D23/366

**OTHER PUBLICATIONS**

Artiris Fragrance Diffuser [Oct. 5, 2020] found online [Oct. 5, 2020]—<http://artiris-parfum.com/>.\*

\* cited by examiner

*Primary Examiner* — John A Voytek

(74) *Attorney, Agent, or Firm* — The Sladkus Law Group

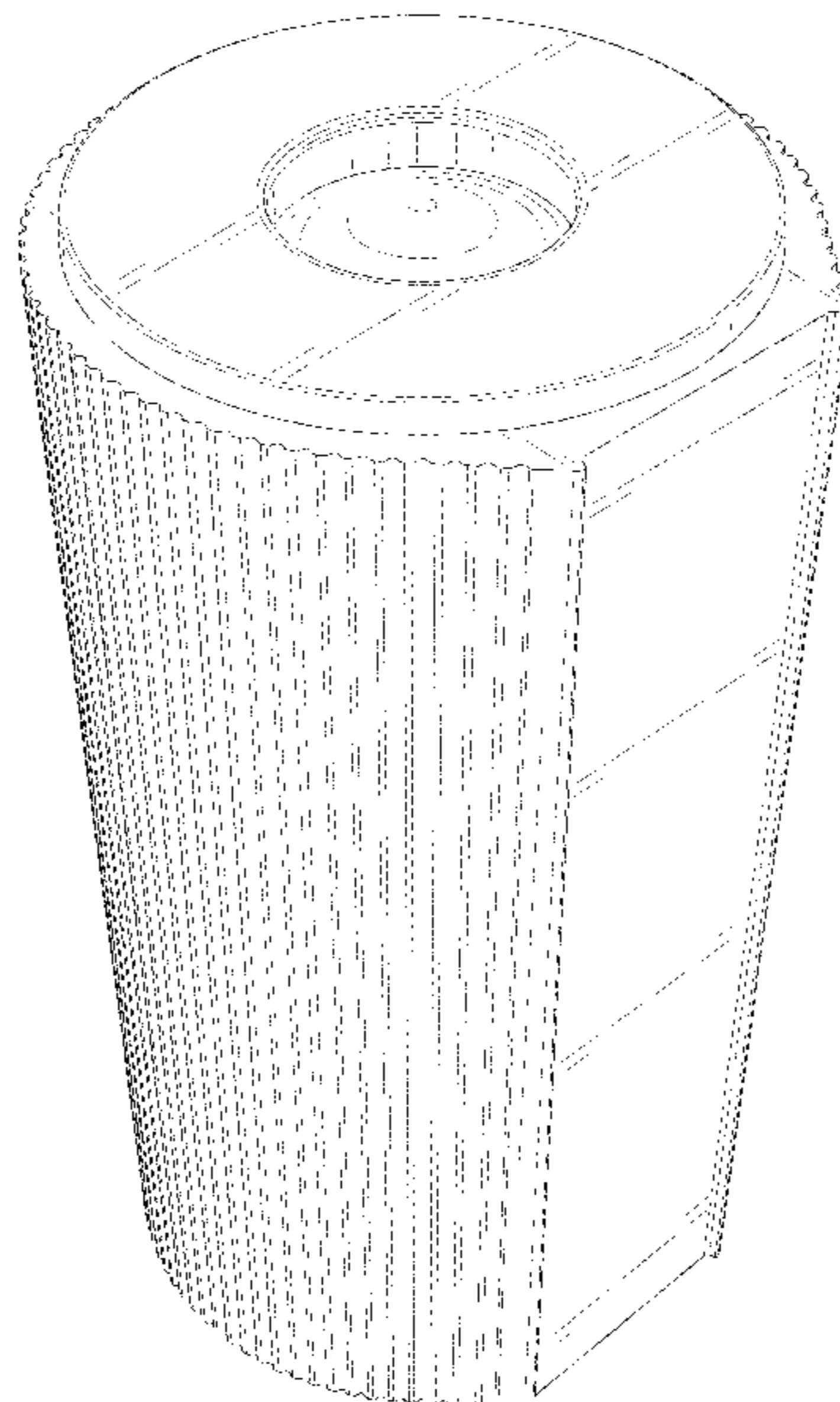
(57) **CLAIM**

The ornamental design for a perfume capsule for fragrance diffuser, as shown and described.

**DESCRIPTION**

FIG. 1 is a front elevational view of a perfume capsule of the present invention;  
FIG. 2 is a rear elevational view of the perfume capsule of FIG. 1;  
FIG. 3 is a right side elevational view of the perfume capsule of FIG. 1;  
FIG. 4 is a left side elevational view of the perfume capsule of FIG. 1;  
FIG. 5 is a top view of the perfume capsule of FIG. 1;  
FIG. 6 is a bottom view of the perfume capsule of FIG. 1; and,  
FIG. 7 is a perspective view of the perfume capsule of FIG. 1.  
The broken lines shown in FIG. 6 are for the purpose of illustrating environmental structure and form no part of the claimed design.

**1 Claim, 6 Drawing Sheets**



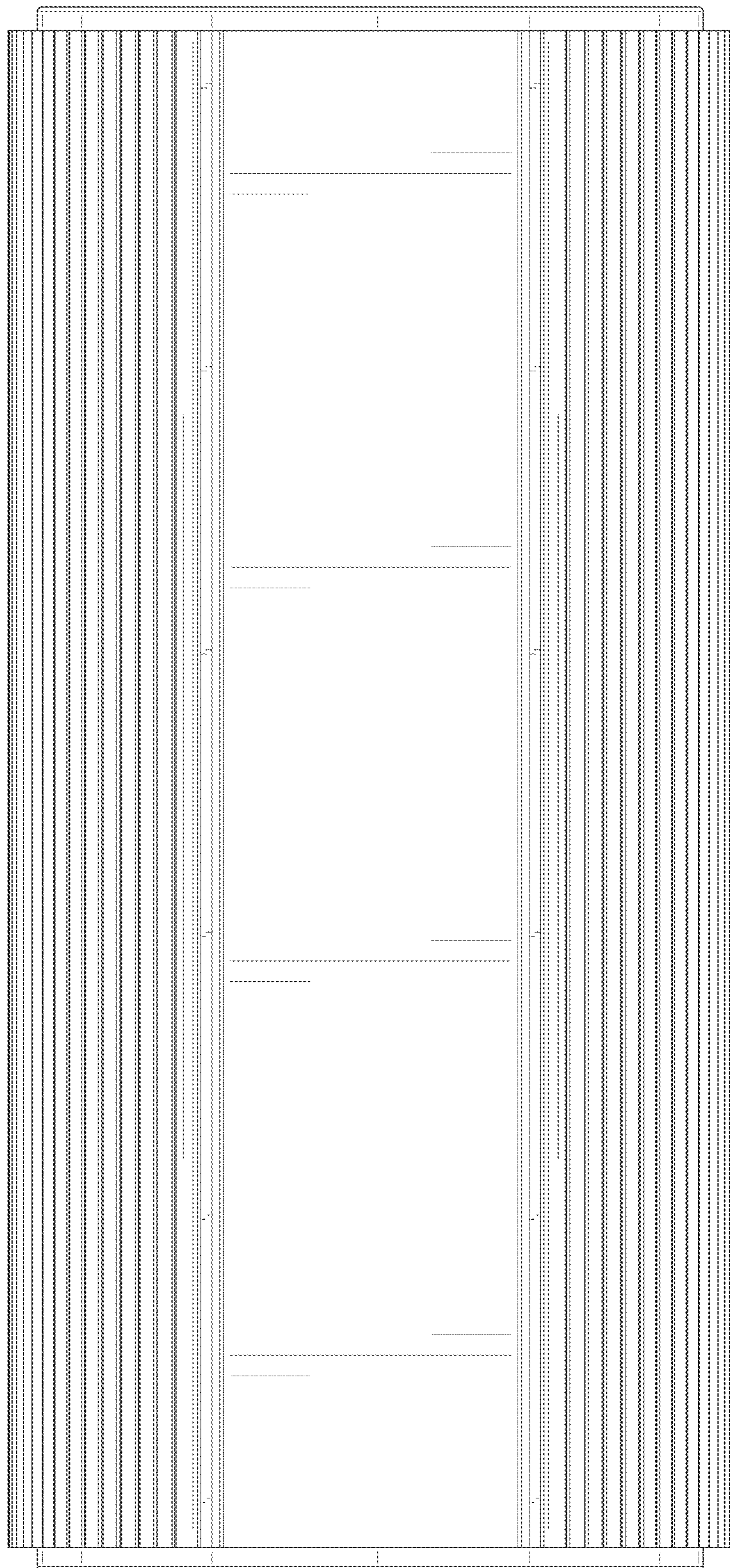


FIG. 1

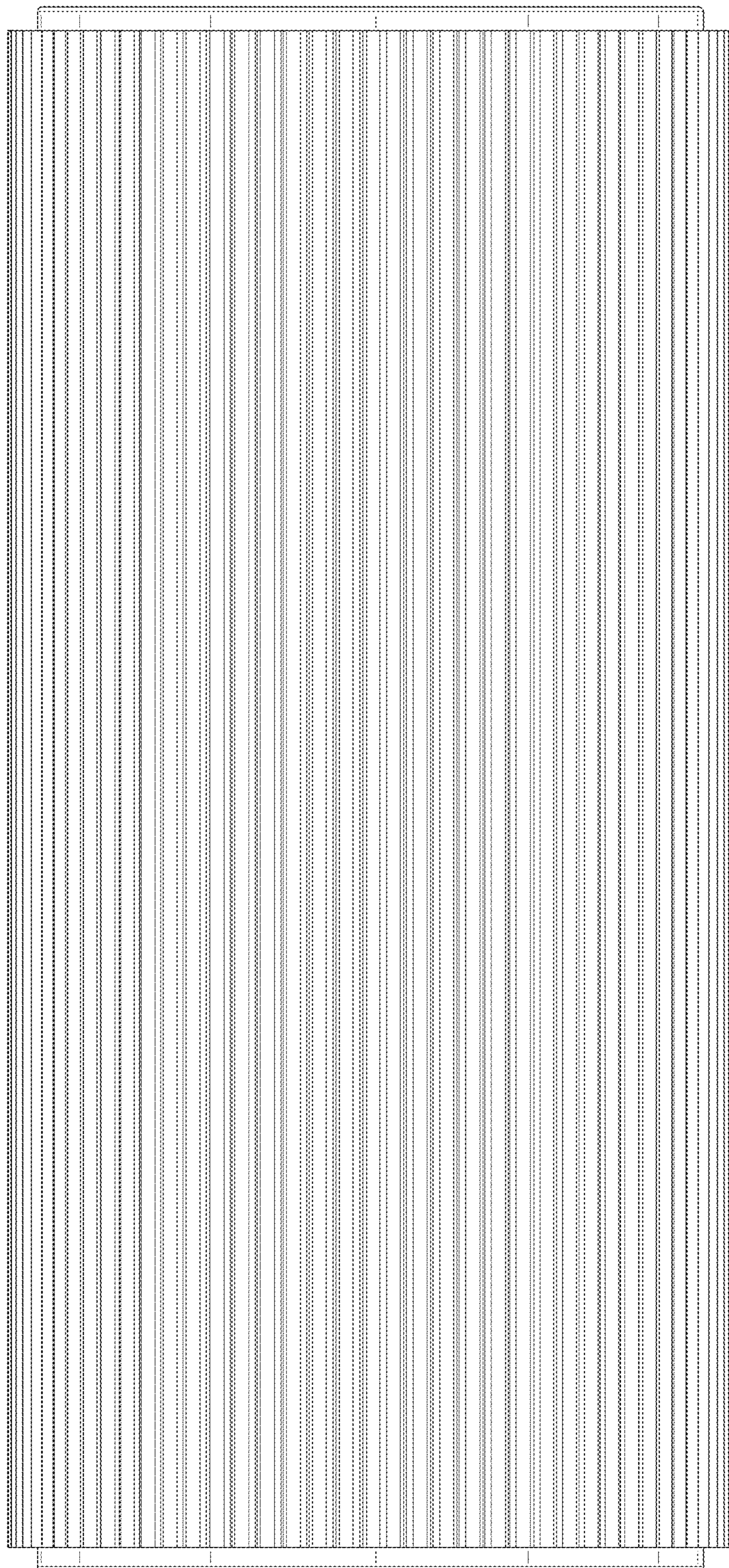


FIG. 2

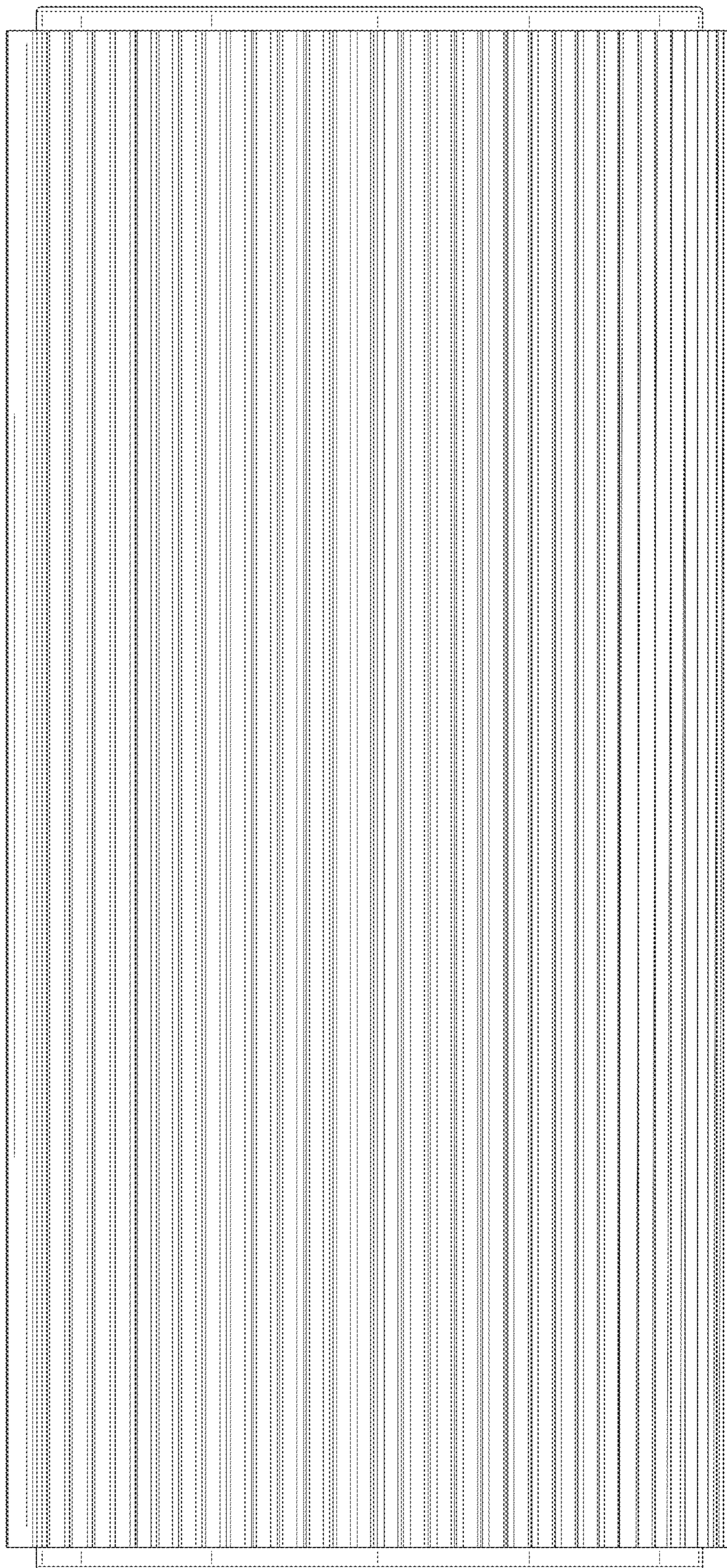


FIG. 3

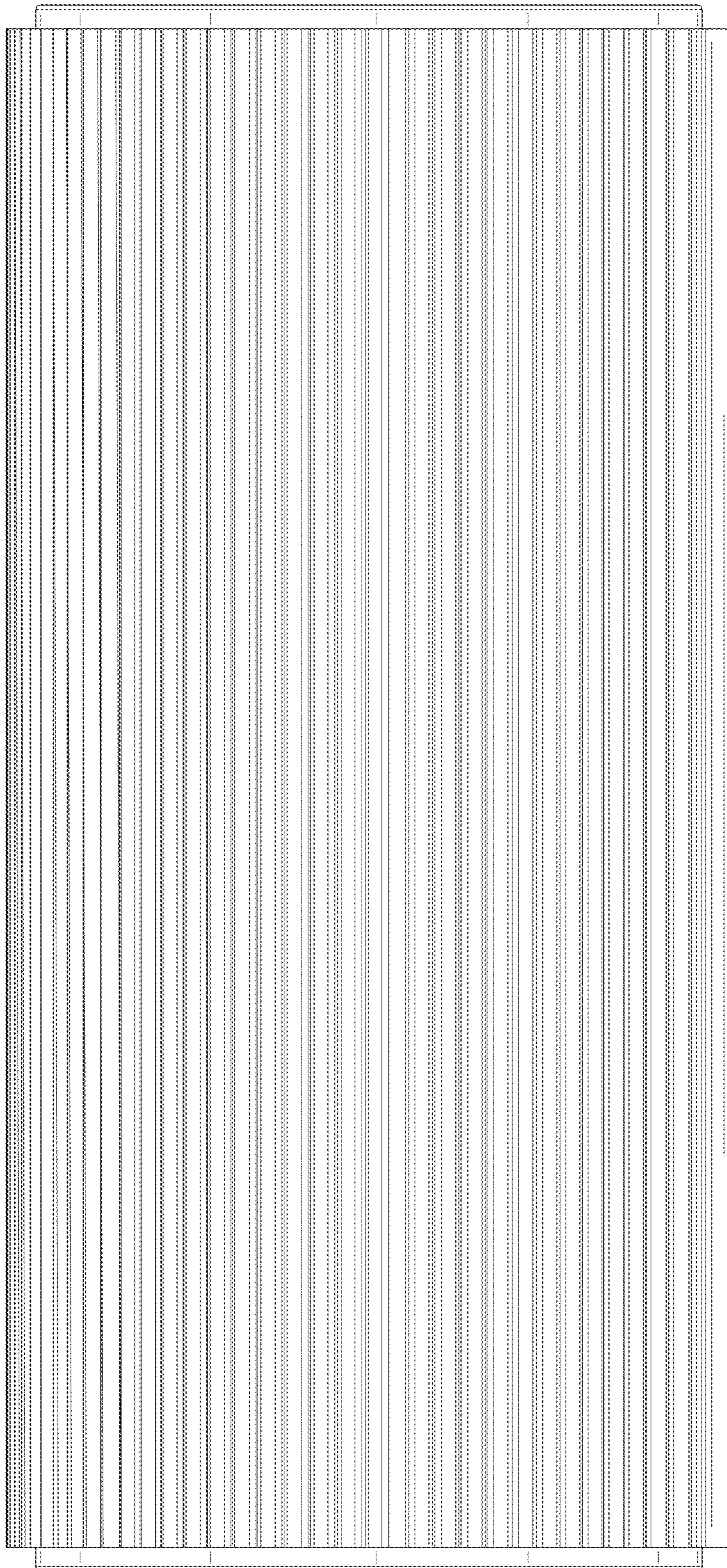


FIG. 4

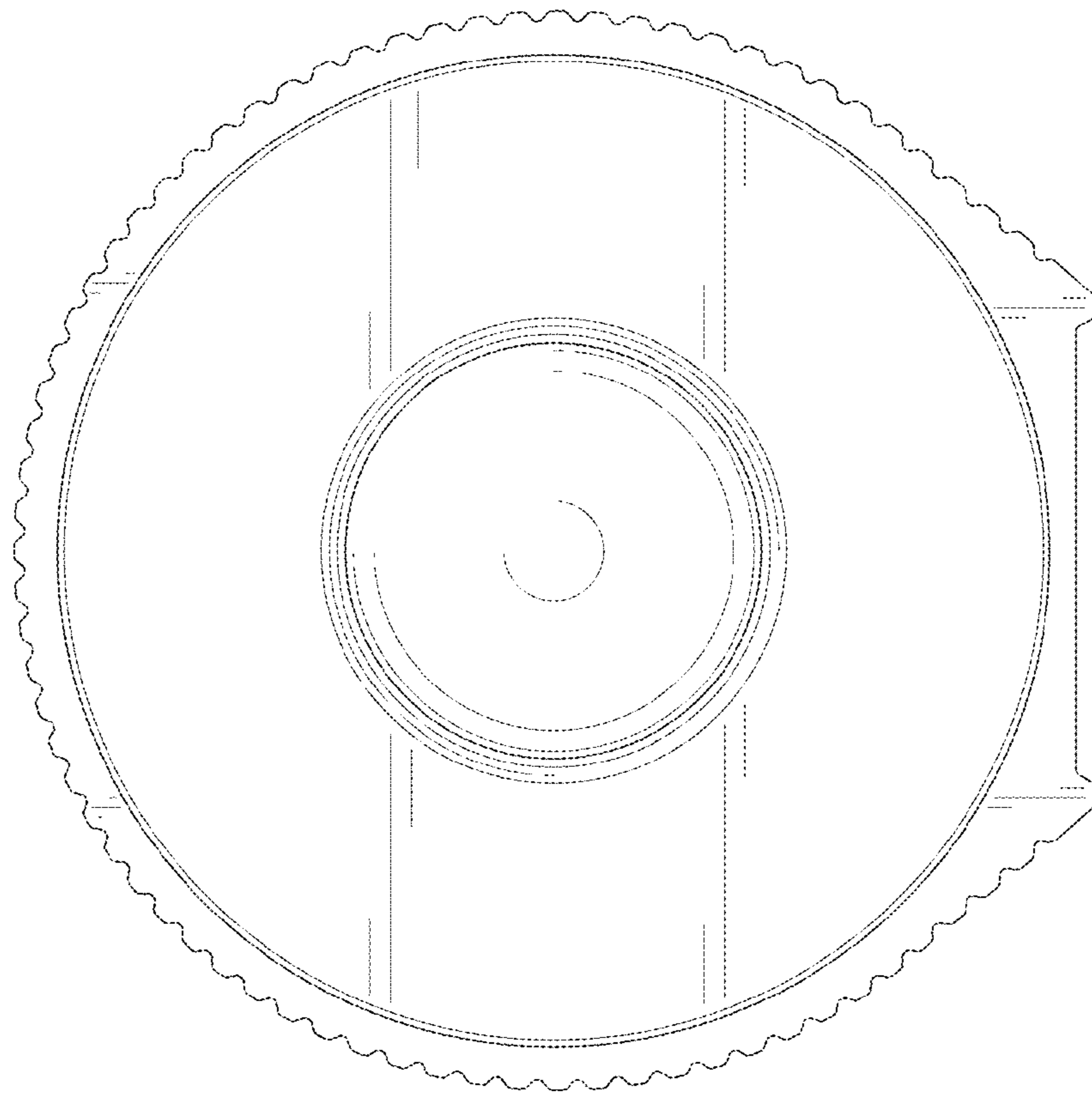


FIG. 5

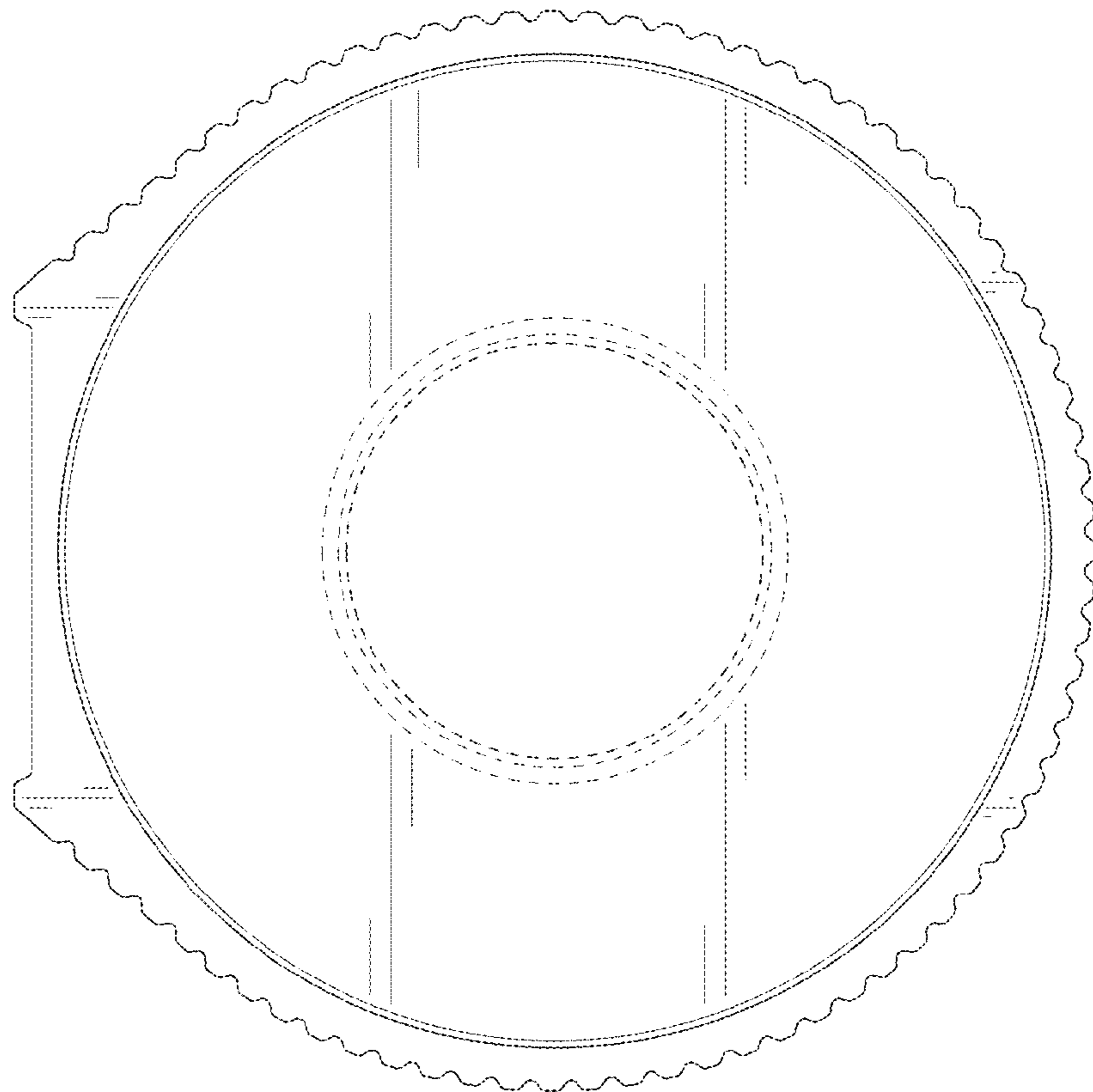


FIG. 6

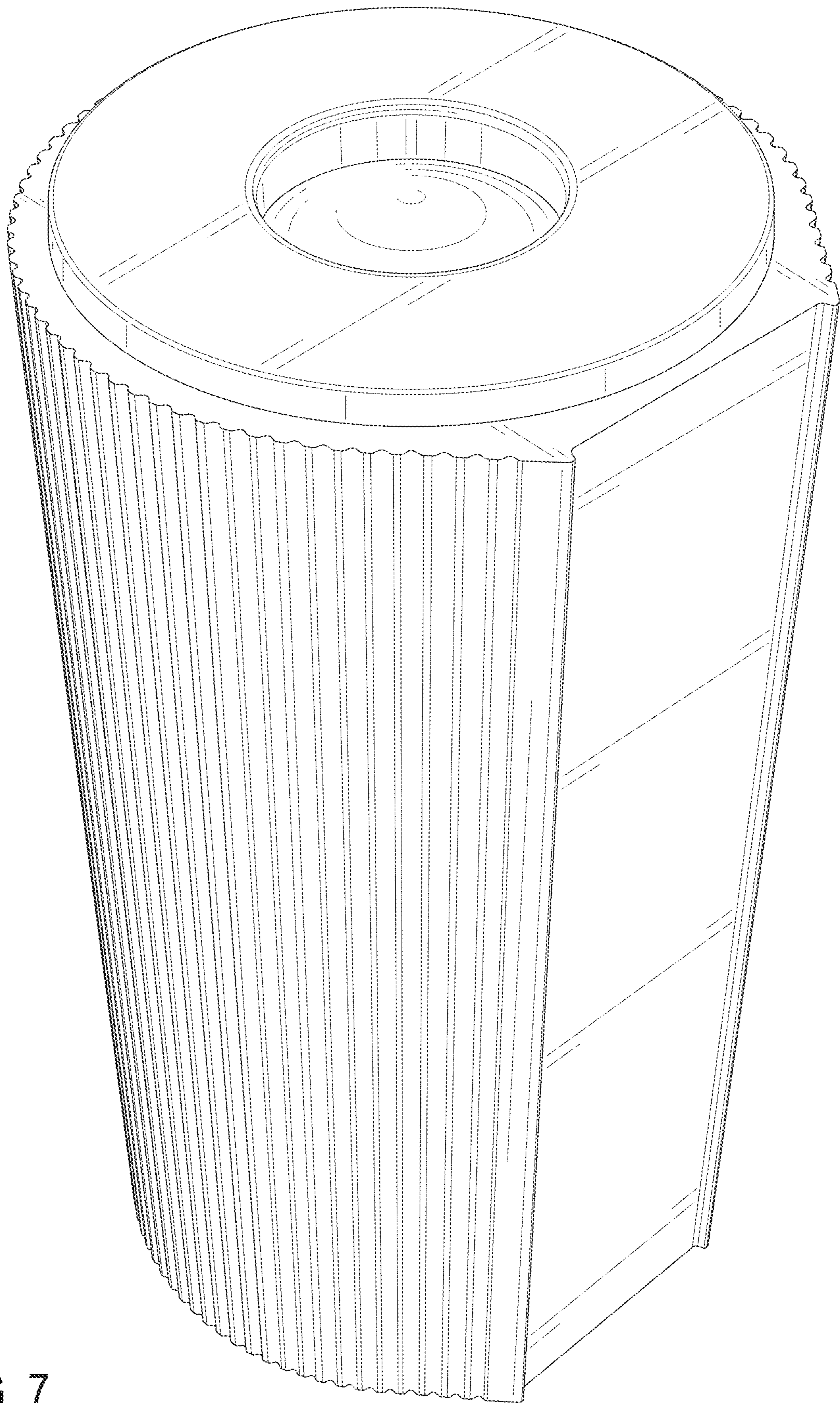


FIG. 7