



US00D944955S

(12) **United States Design Patent**
Kim et al.

(10) **Patent No.:** **US D944,955 S**
(45) **Date of Patent:** **** Mar. 1, 2022**

(54) **AIR CONDITIONER**

FOREIGN PATENT DOCUMENTS

(71) Applicant: **SAMSUNG ELECTRONICS CO., LTD.**, Suwon-si (KR)

EM 000665724-0003 5/2007
EM 002707810-0001 6/2015

(Continued)

(72) Inventors: **Kangdoo Kim**, Suwon-si (KR); **Sangin Lee**, Suwon-si (KR); **Suhyun Yoo**, Suwon-si (KR)

Primary Examiner — Gino Colan
Assistant Examiner — David OBrien

(74) *Attorney, Agent, or Firm* — Cantor Colburn LLP

(73) Assignee: **SAMSUNG ELECTRONICS CO., LTD.**, Gyeonggi-Do (KR)

(**) Term: **15 Years**

(57) **CLAIM**

(21) Appl. No.: **29/727,159**

The ornamental design for an air conditioner, as shown and described.

(22) Filed: **Mar. 9, 2020**

(30) **Foreign Application Priority Data**

DESCRIPTION

Nov. 28, 2019 (KR) 30-2019-0057354

(51) **LOC (13) Cl.** **23-04**

(52) **U.S. Cl.**
USPC **D23/351**

(58) **Field of Classification Search**
USPC D23/333, 335, 351–367, 388; D13/111, D13/102; D15/7–9.3, 144, 144.2; D34/7
CPC . A01G 13/06; A24F 25/00; A61L 9/00; A61L 9/03; A61L 9/04; A61L 9/14; A61L 9/015; A61L 9/032; A61L 2209/14; B05B 7/1686; F24F 1/00; F24F 1/027; F24F 1/02; F24F 1/08; F24F 1/42; F24F 1/56; F24F 1/60; F24F 1/62; F24F 1/64; F24F 1/0007; F24F 3/12; F24F 3/14; F24F 3/16; F24F 3/048; F24F 13/32; F24F 2221/20

See application file for complete search history.

FIG. 1 is a front perspective view of an air conditioner, showing our new design;
FIG. 2 is a front view thereof;
FIG. 3 is a rear view thereof;
FIG. 4 is a left-side view thereof;
FIG. 5 is a right-side view thereof;
FIG. 6 is a top view thereof;
FIG. 7 is a bottom view thereof;
FIG. 8 is another front perspective view the air conditioner in FIG. 1;
FIG. 9 is another front view of the air conditioner in FIG. 1;
FIG. 10 is another rear view of the air conditioner in FIG. 1;
FIG. 11 is another left-side view of the air conditioner it FIG. 1;
FIG. 12 is another right-side view of the air conditioner in FIG. 1;
FIG. 13 is another top view of the air conditioner in FIG. 1;
and,
FIG. 14 is another bottom view of the air conditioner in FIG. 1.
The even-dash broken lines illustrating portions of the air conditioner form no part of the claimed design.

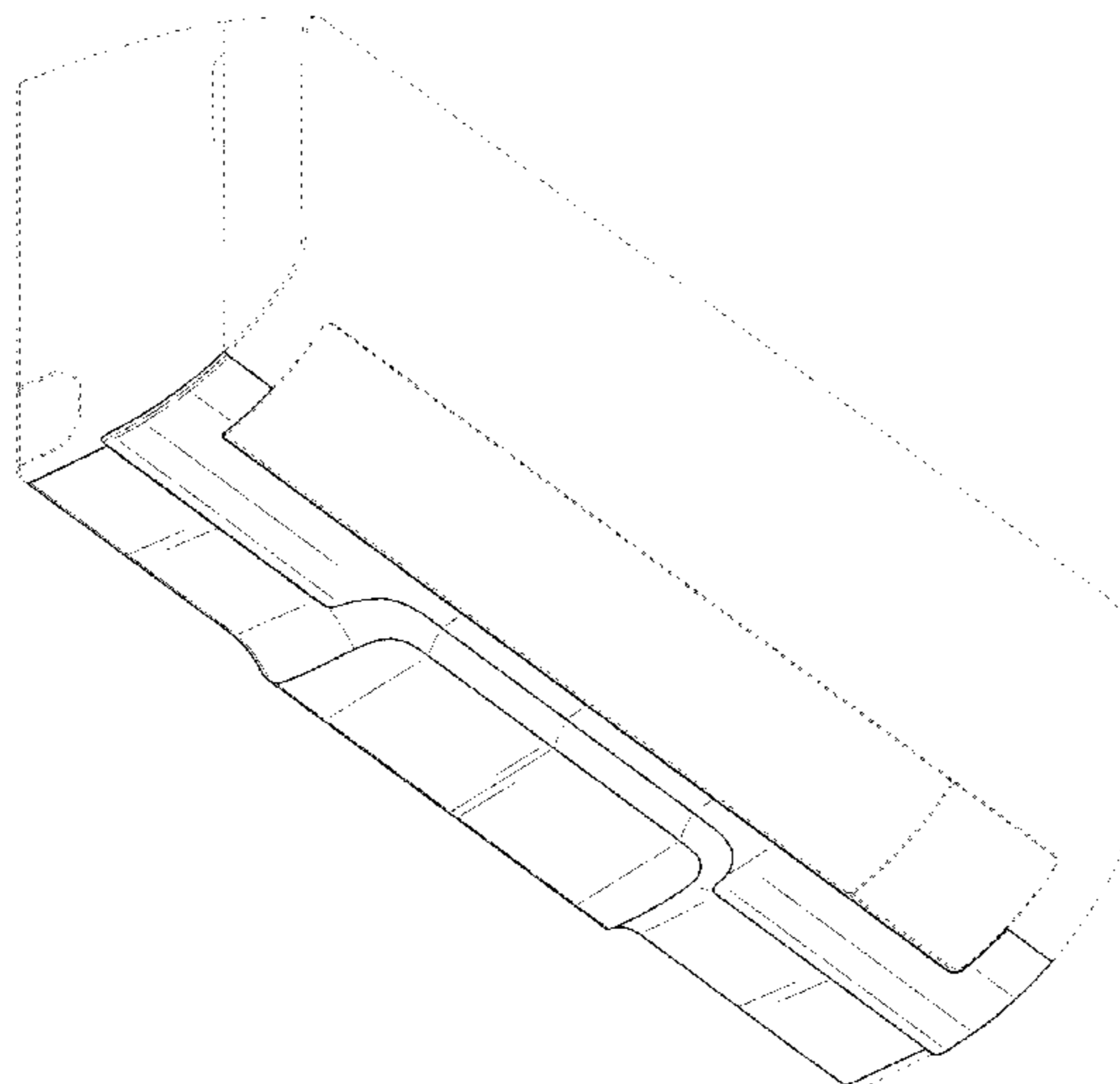
(56) **References Cited**

U.S. PATENT DOCUMENTS

D681,180 S 4/2013 Chouji
D689,179 S * 9/2013 Nishiguchi D23/351

(Continued)

1 Claim, 9 Drawing Sheets



(56)

References Cited

U.S. PATENT DOCUMENTS

D720,445 S	*	12/2014	Murai	D23/351
D761,405 S	*	7/2016	Chouji	D23/351
D775,716 S	*	1/2017	Chouji	D23/351
D814,001 S	*	3/2018	Arai	D23/351
D886,265 S	*	6/2020	Yamamoto	D23/351
D909,554 S	*	2/2021	Ikegaya	D23/351
D922,553 S	*	6/2021	Kim	D23/351

FOREIGN PATENT DOCUMENTS

EM	002762161-0001	9/2015
JP	0903654	5/1994

* cited by examiner

FIG. 1

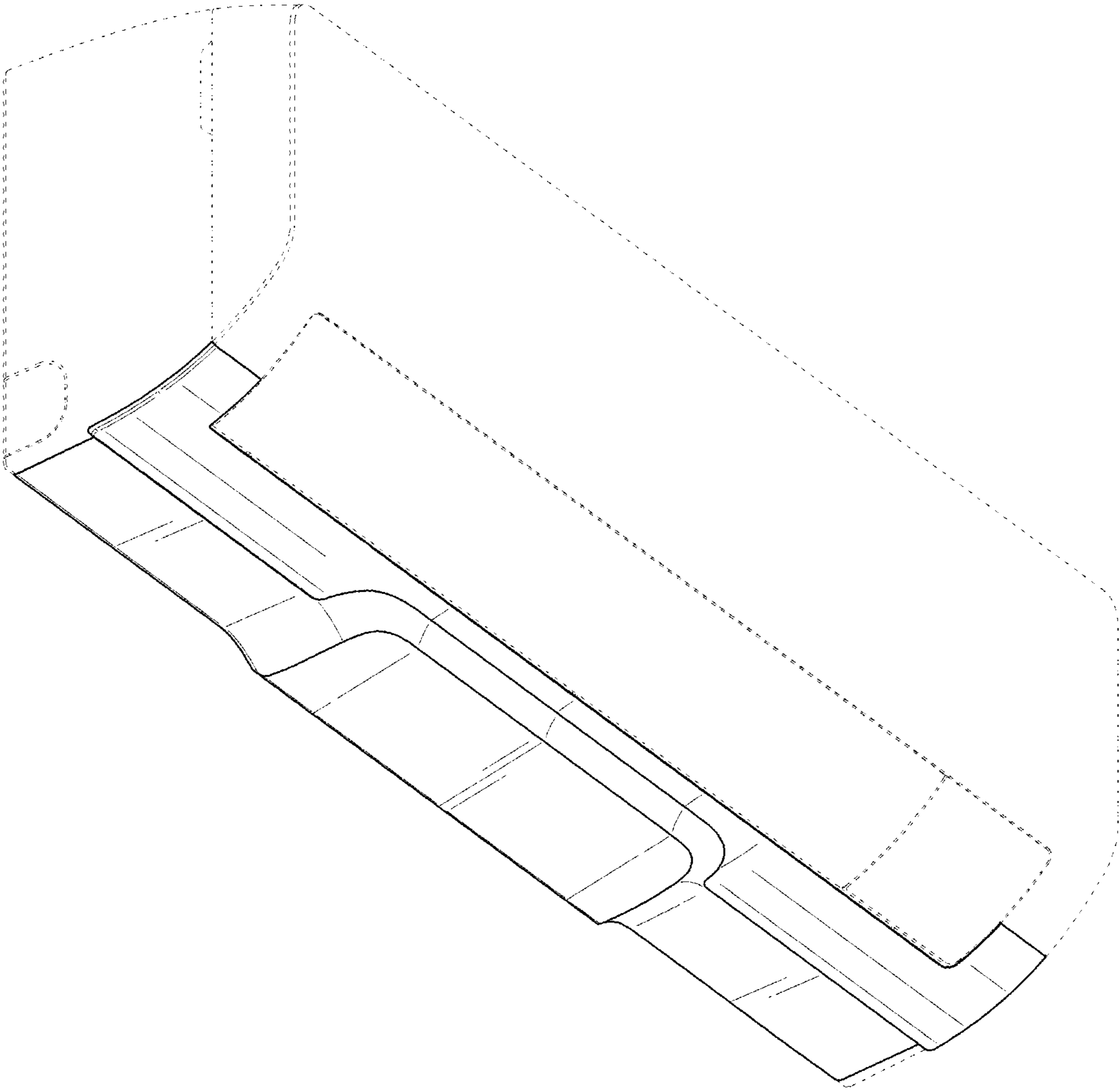


FIG. 2

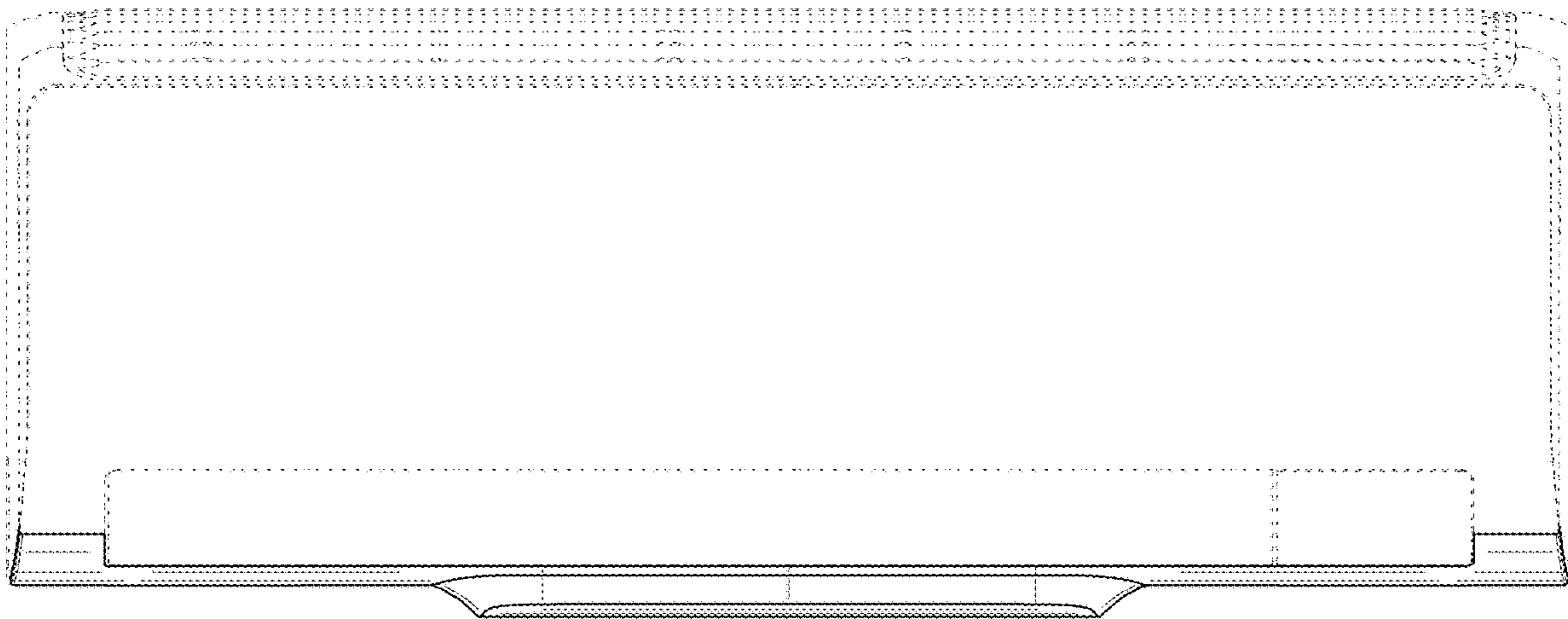


FIG. 3



FIG. 4

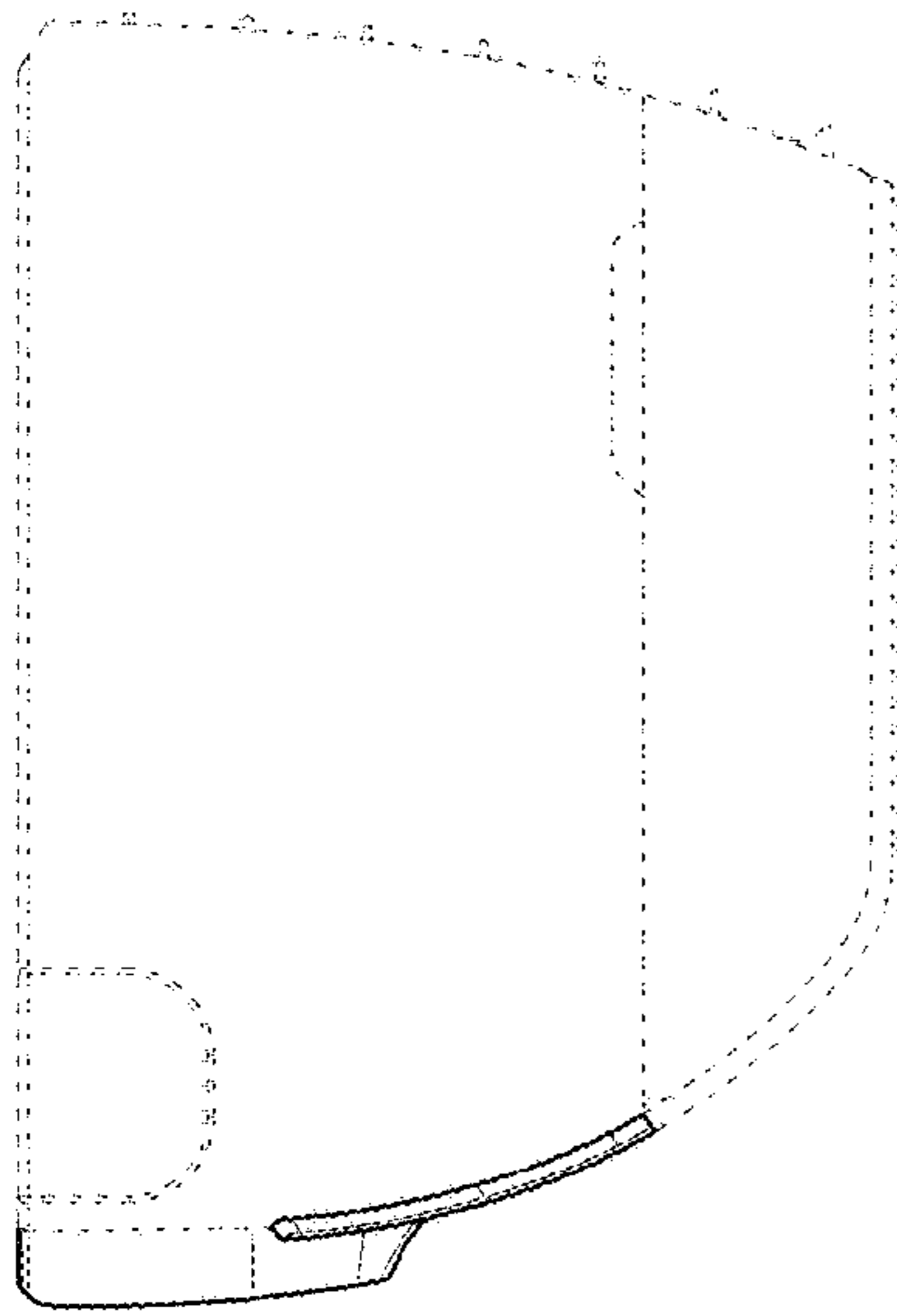


FIG. 5

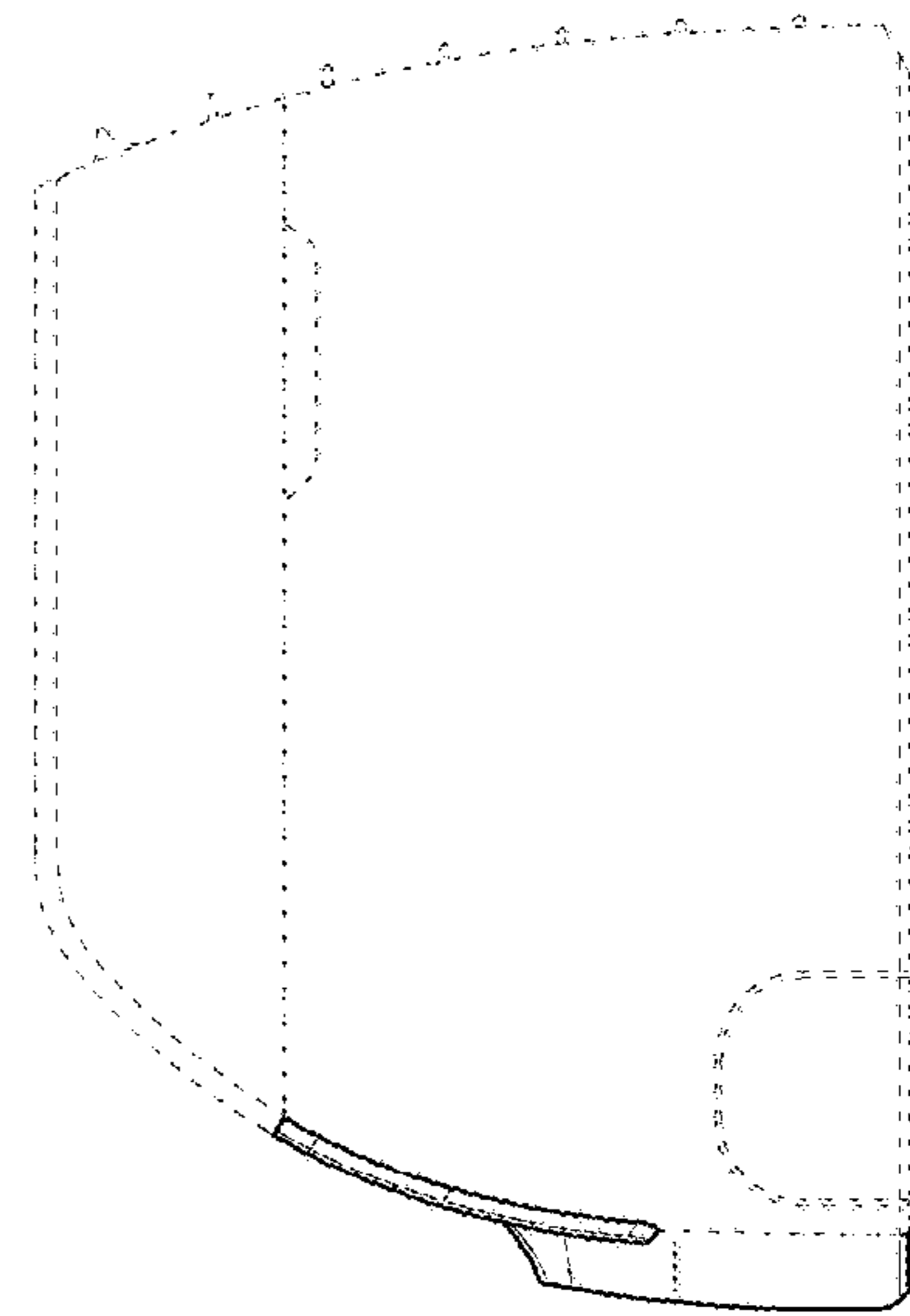


FIG. 6

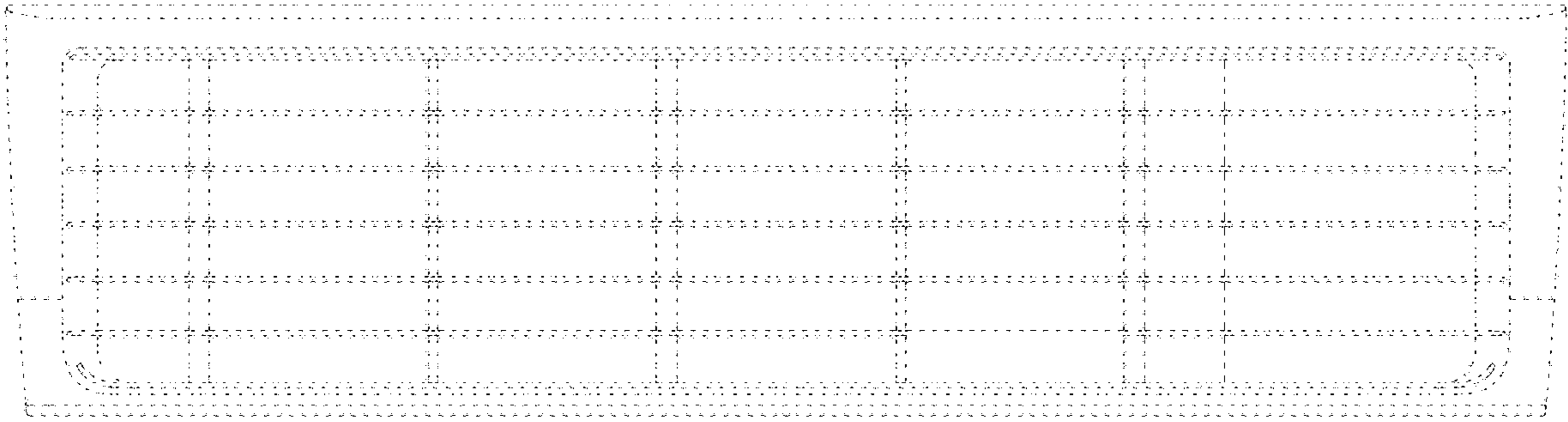


FIG. 7

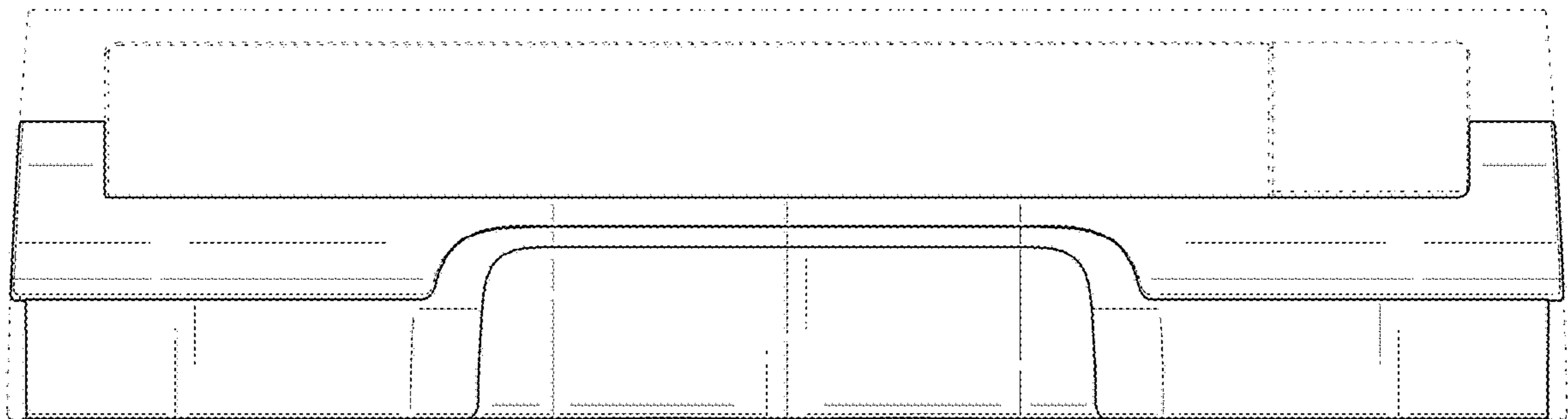


FIG. 8

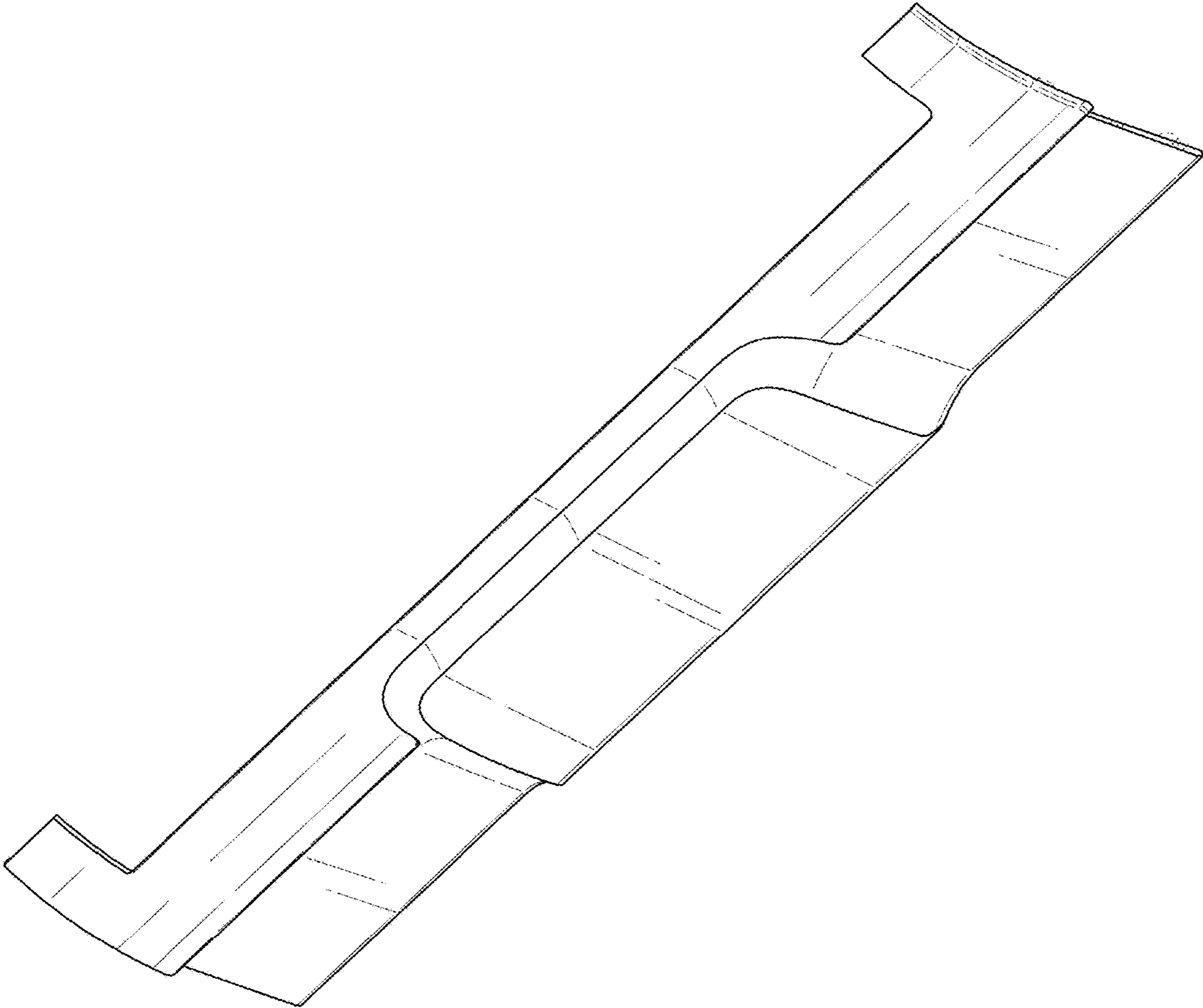


FIG. 9

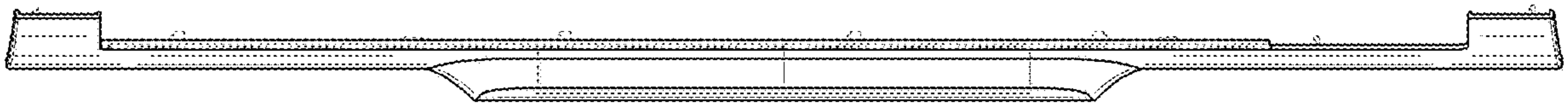


FIG. 10



FIG. 11

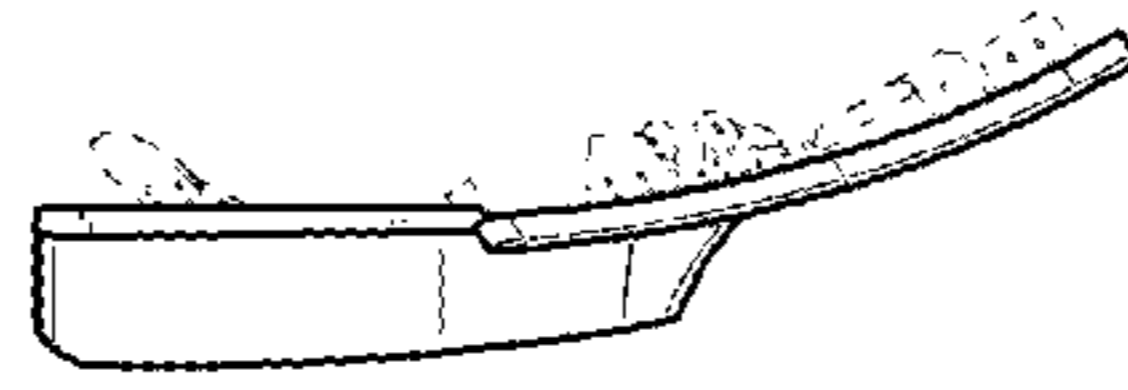


FIG. 12

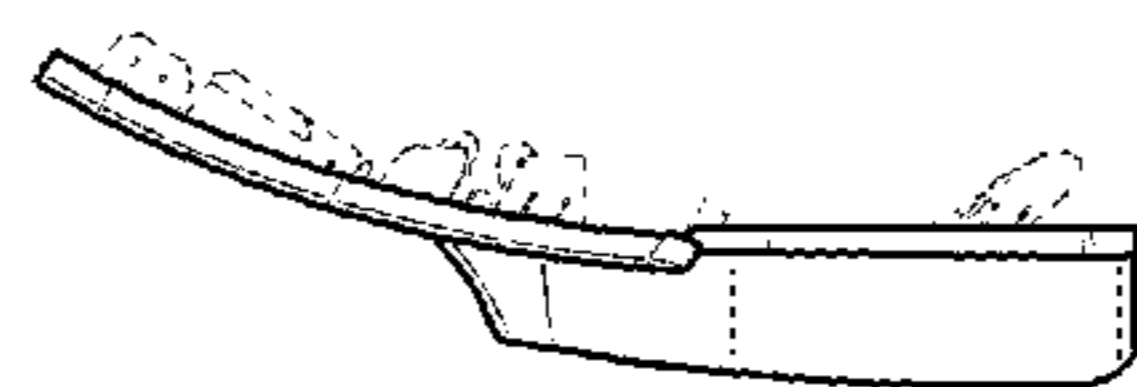


FIG. 13

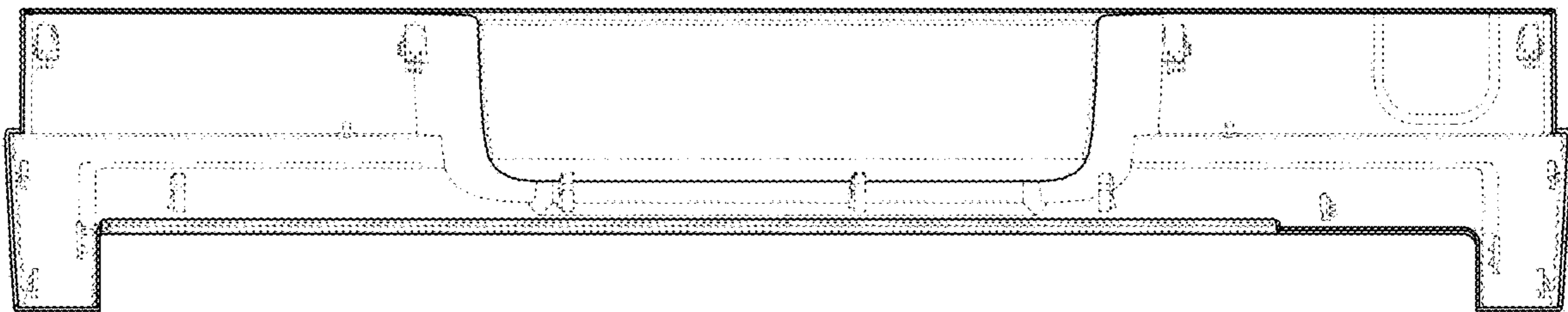


FIG. 14

