



US00D944952S

(12) **United States Design Patent** (10) **Patent No.:** **US D944,952 S**  
**Cheng** (45) **Date of Patent:** **\*\* Mar. 1, 2022**

(54) **BIDET**

(71) Applicant: **Zhejiang IKAHE Sanitary Ware Co., Ltd, Taizhou (CN)**

(72) Inventor: **Geng Cheng, Taizhou (CN)**

(73) Assignee: **Zhejiang IKAHE Sanitary Ware Co., Ltd, Taizhou (CN)**

(\*\*) Term: **15 Years**

(21) Appl. No.: **29/817,560**

(22) Filed: **Dec. 2, 2021**

**Related U.S. Application Data**

(62) Division of application No. 29/758,266, filed on Nov. 13, 2020.

**Foreign Application Priority Data**

May 19, 2020 (CN) ..... 202030231071.9

(51) **LOC (13) Cl.** ..... **23-02**

(52) **U.S. Cl.**  
USPC ..... **D23/311**

(58) **Field of Classification Search**  
USPC ..... D23/295, 300-301, 311-312  
See application file for complete search history.

(56) **References Cited**

U.S. PATENT DOCUMENTS

D387,851 S *	12/1997	Pieters .....	D23/311
D532,496 S *	11/2006	Bates .....	D23/311
D618,325 S *	6/2010	Deng .....	D23/311
D675,301 S *	1/2013	Collignon .....	D23/311
2018/0028797 A1 *	2/2018	Schwab .....	A47K 10/48

\* cited by examiner

*Primary Examiner* — Robert A Delehanty

(74) *Attorney, Agent, or Firm* — IPro, PLLC

(57) **CLAIM**

The ornamental design for a bidet, as shown and described.

**DESCRIPTION**

FIG. 1 is a perspective view of a bidet in a closed state showing our new design;

FIG. 2 is a perspective view viewed from another angle thereof;

FIG. 3 is a front elevation view thereof;

FIG. 4 is a rear elevation view thereof;

FIG. 5 is a left side elevation view thereof;

FIG. 6 is a right side elevation view thereof;

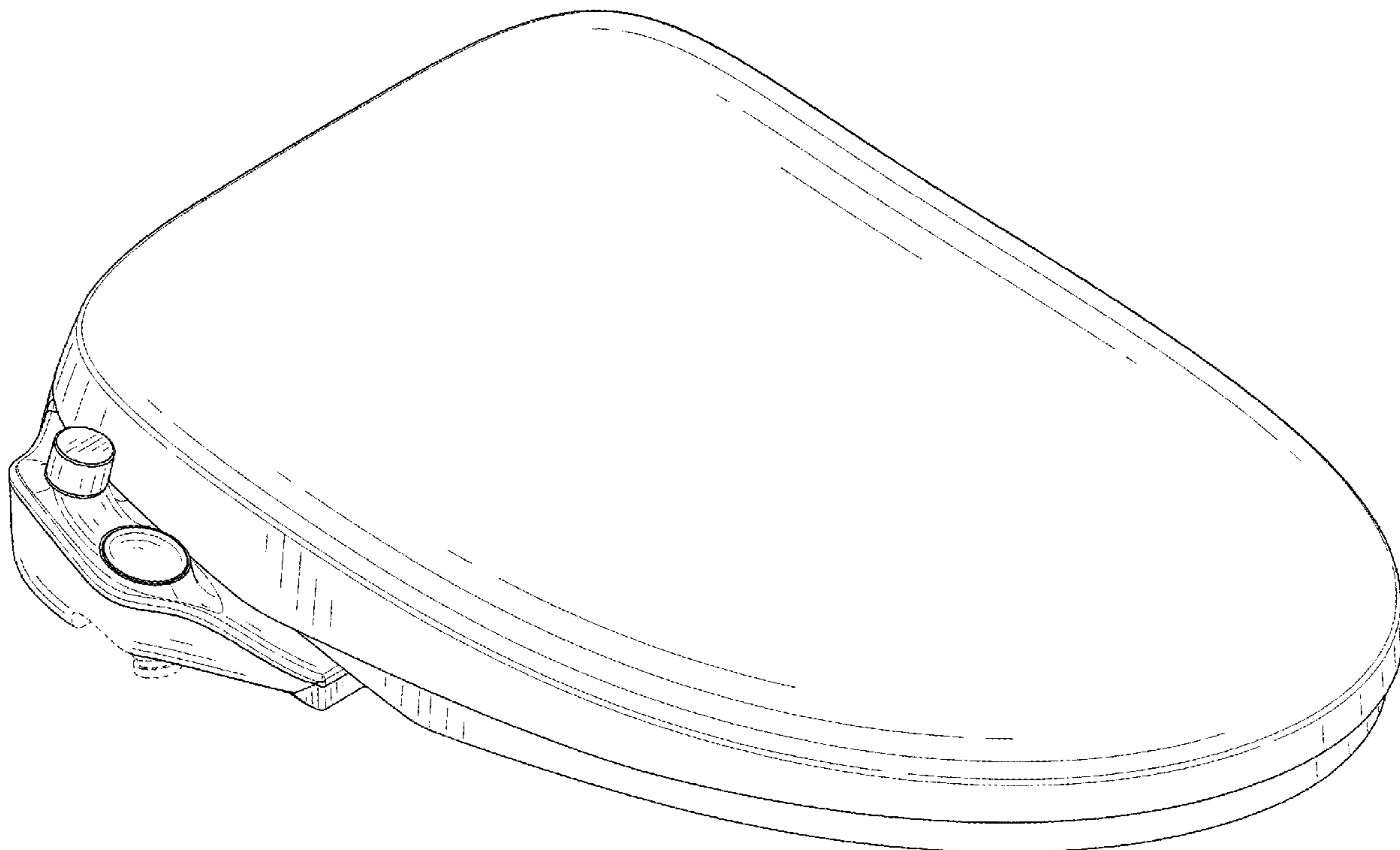
FIG. 7 is a top plan view thereof;

FIG. 8 is a bottom plan view thereof; and,

FIG. 9 is a perspective view in an open state thereof.

The broken lines in the drawings depict portions of the bidet that form no part of the claimed design.

**1 Claim, 9 Drawing Sheets**



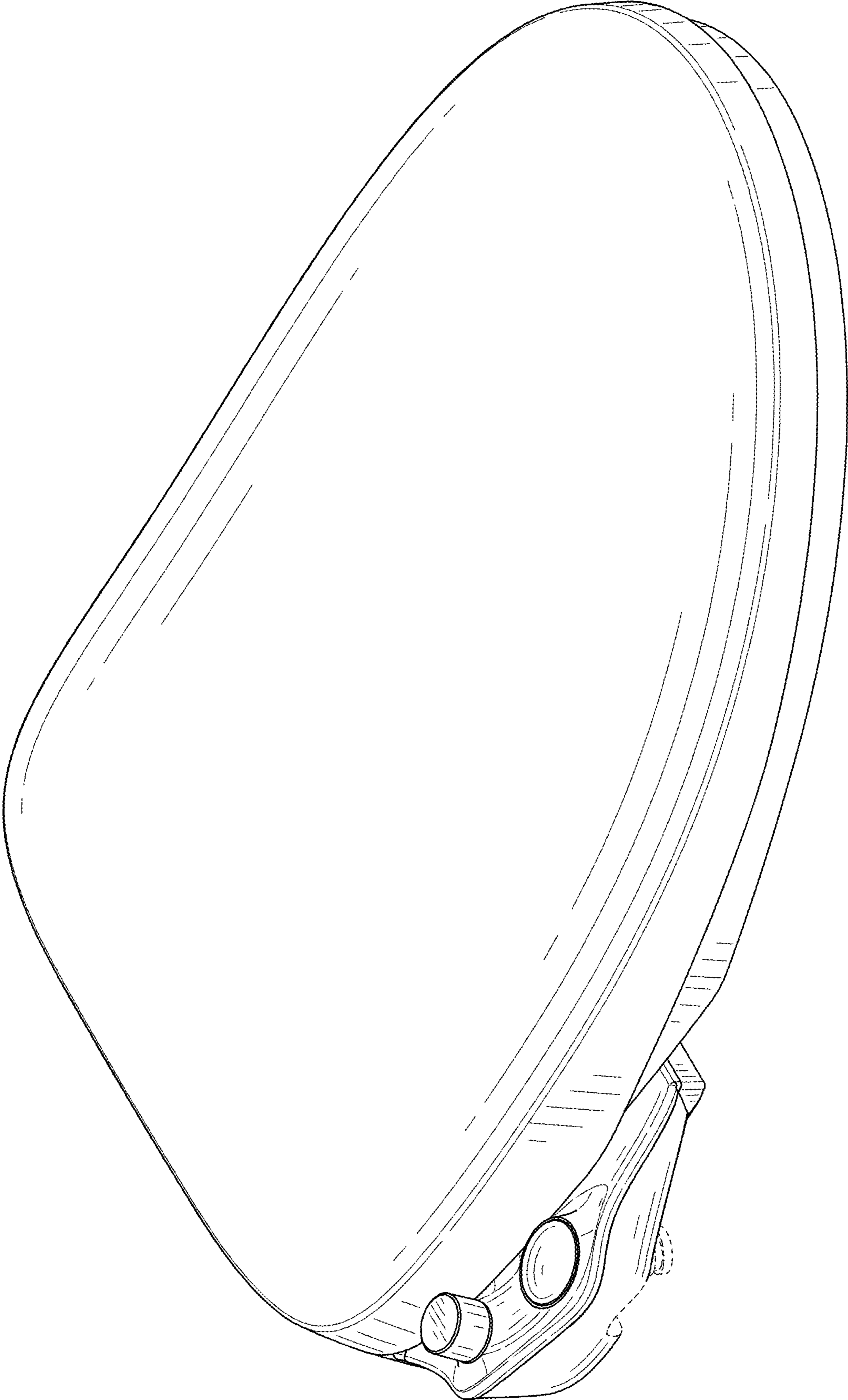


FIG. 1

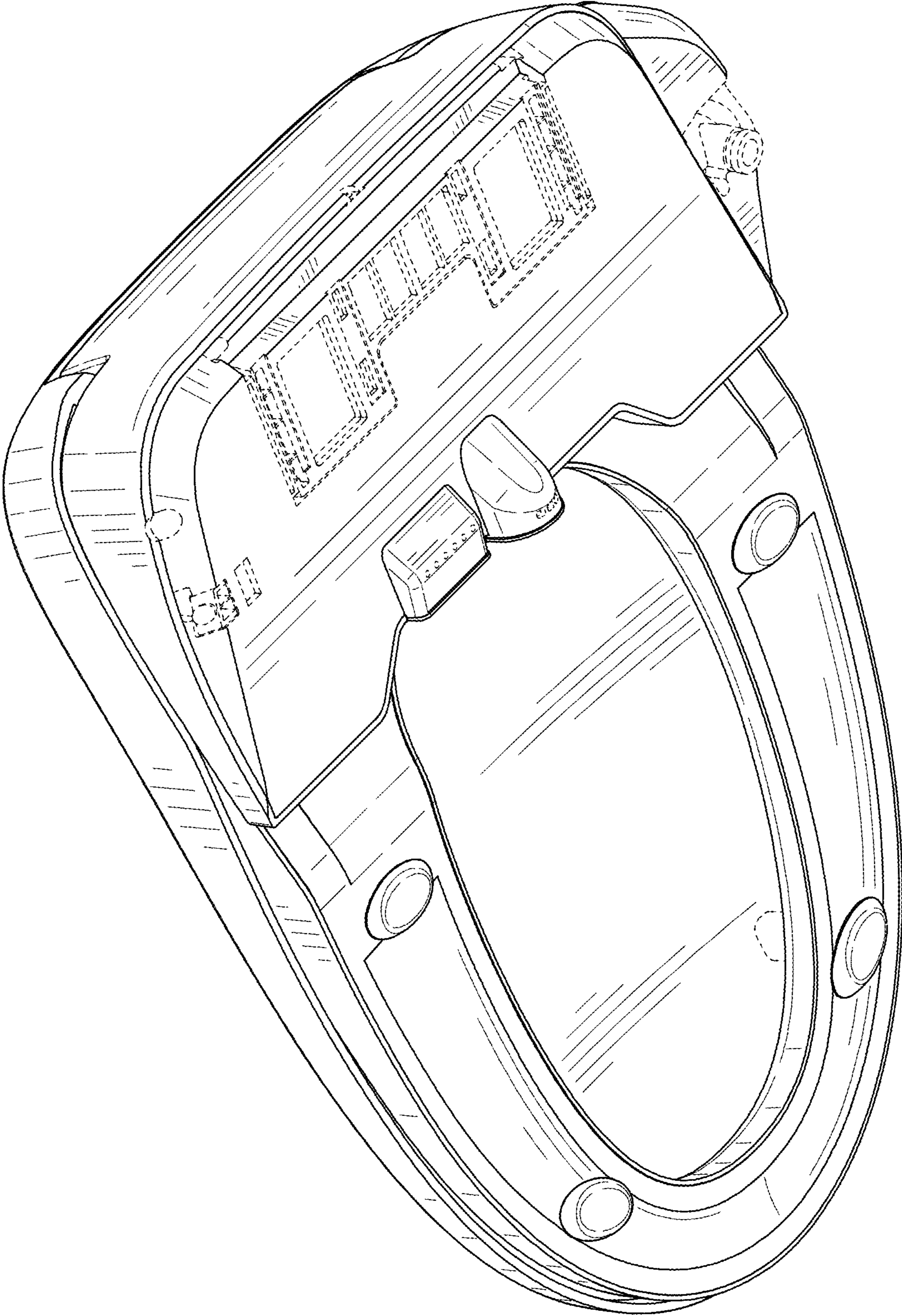


FIG. 2



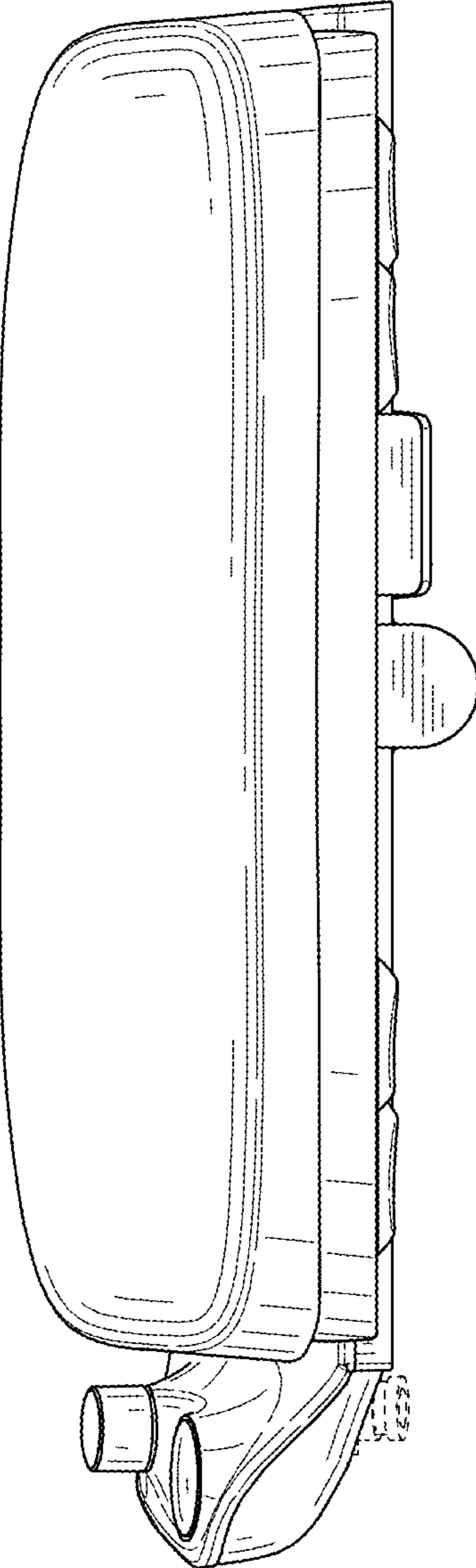


FIG. 3

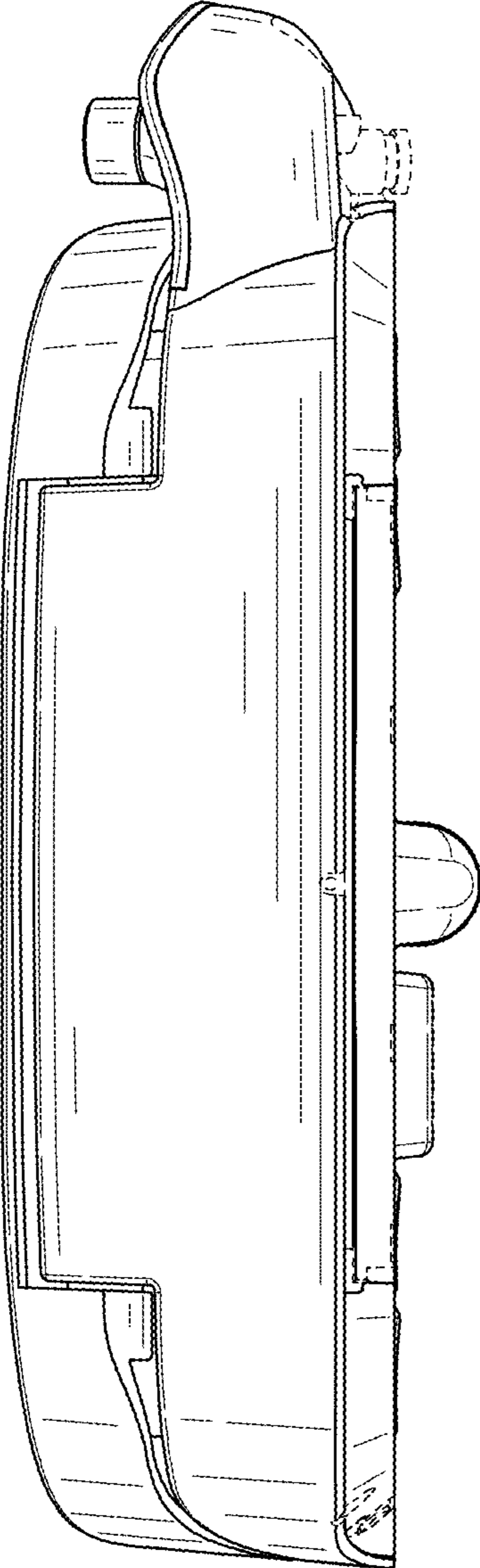


FIG. 4

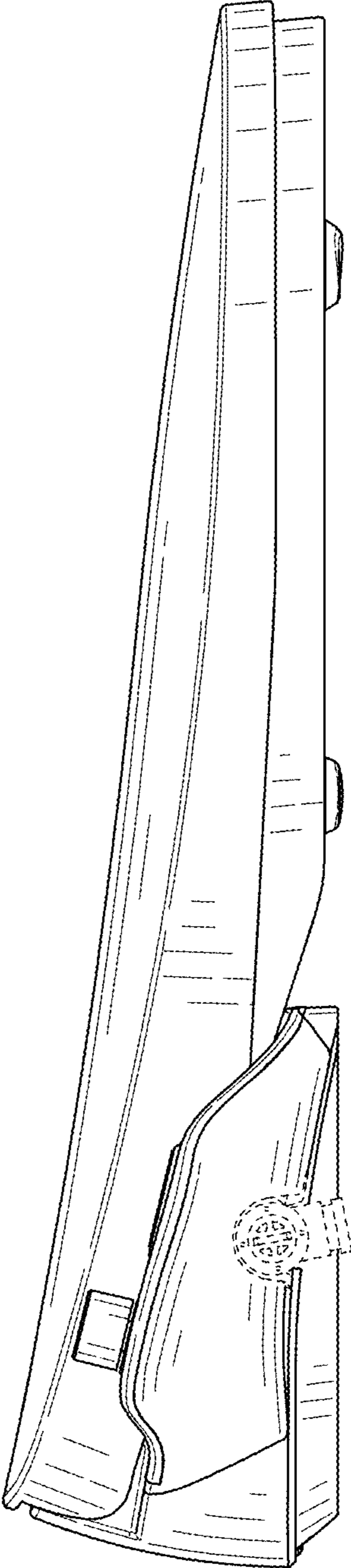


FIG. 5

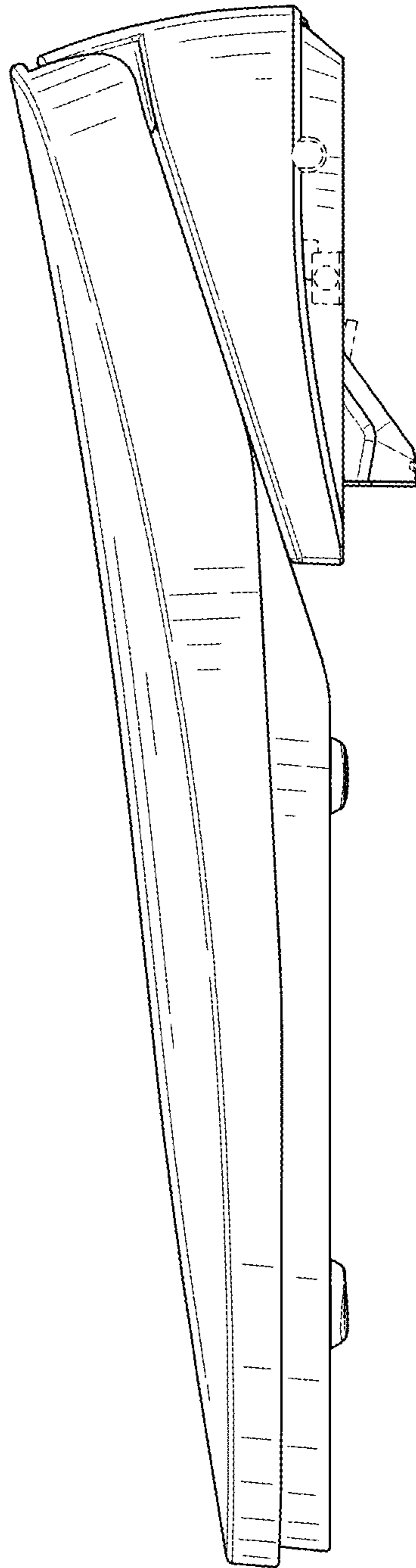


FIG. 6

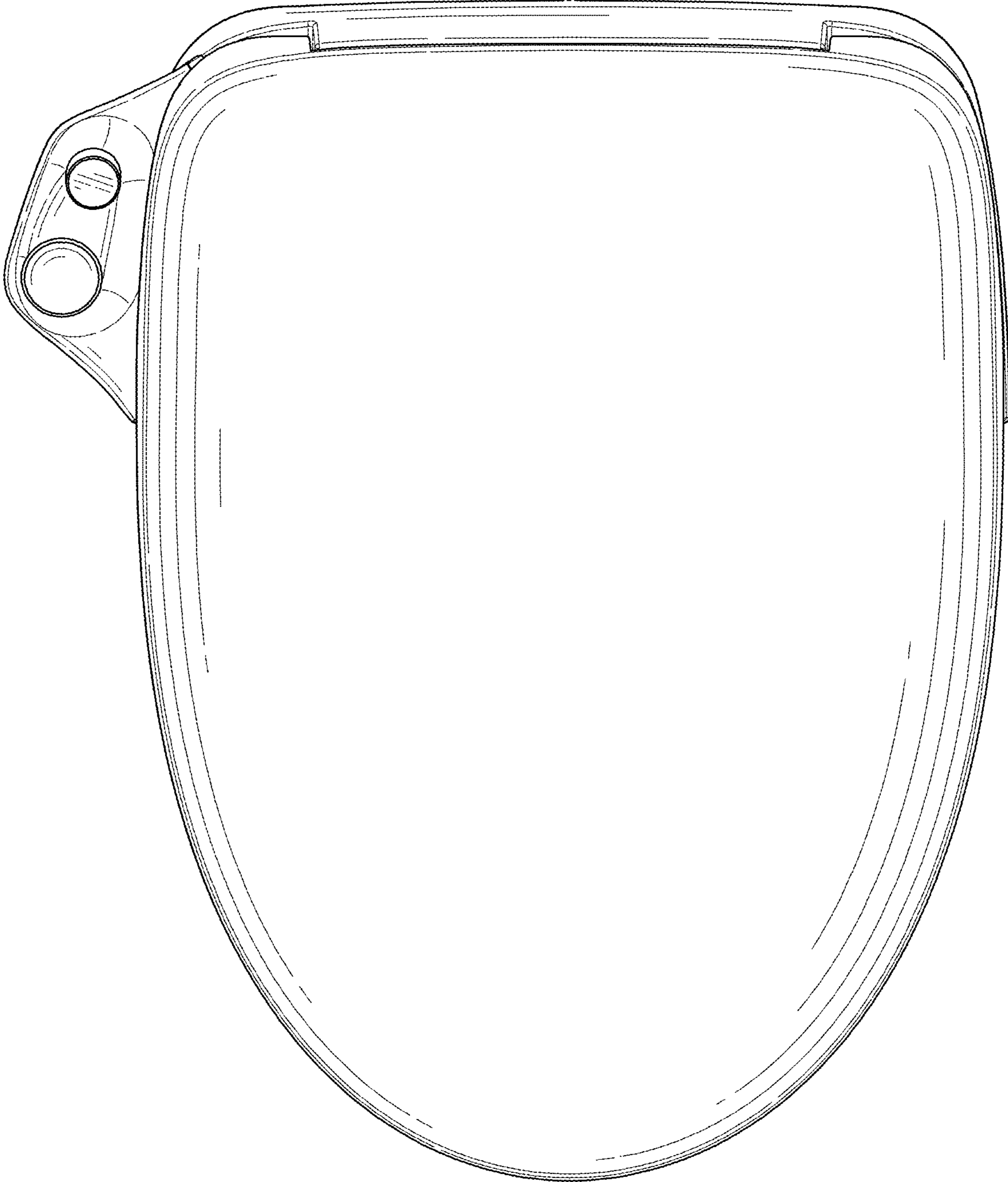


FIG. 7



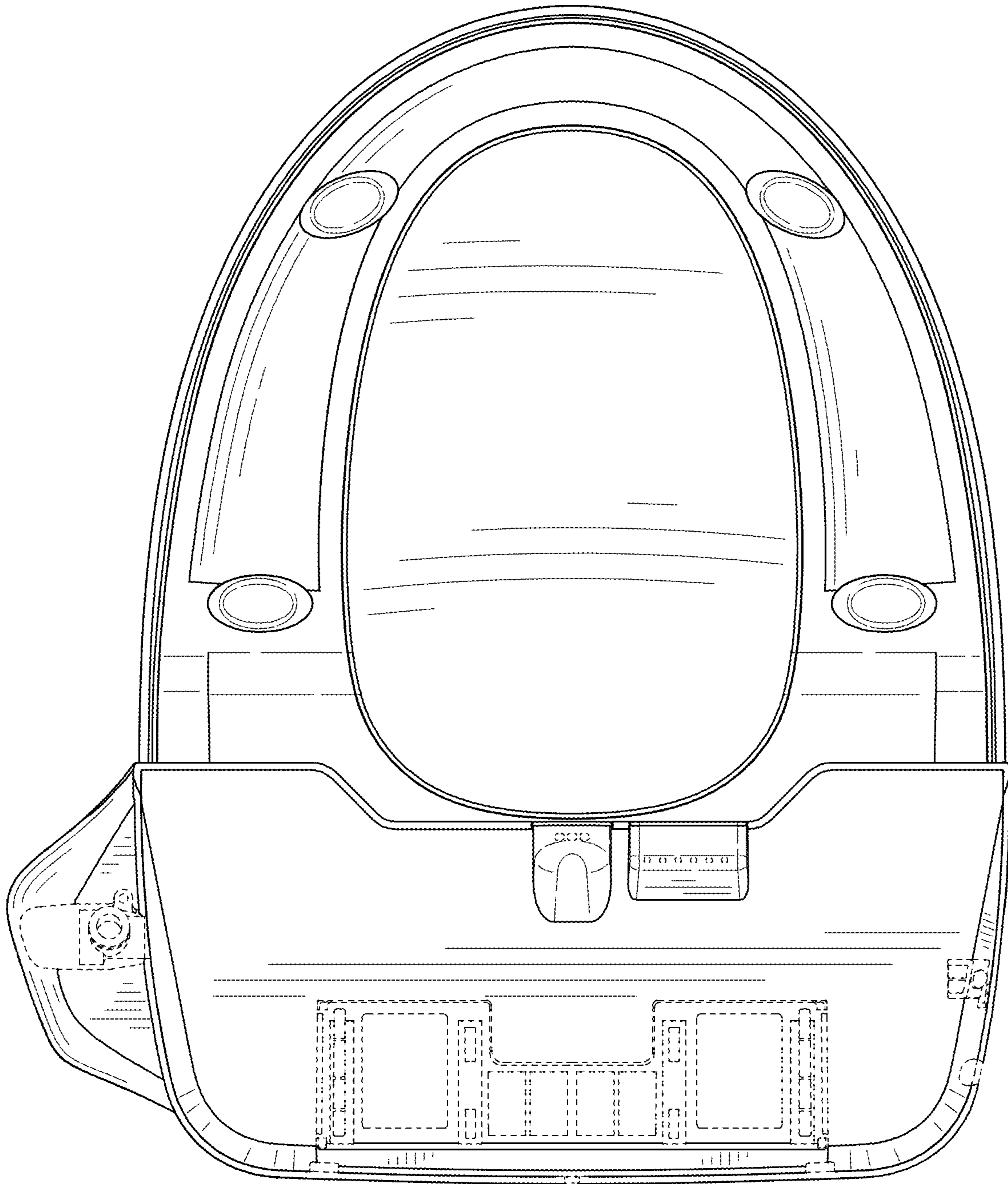


FIG. 8

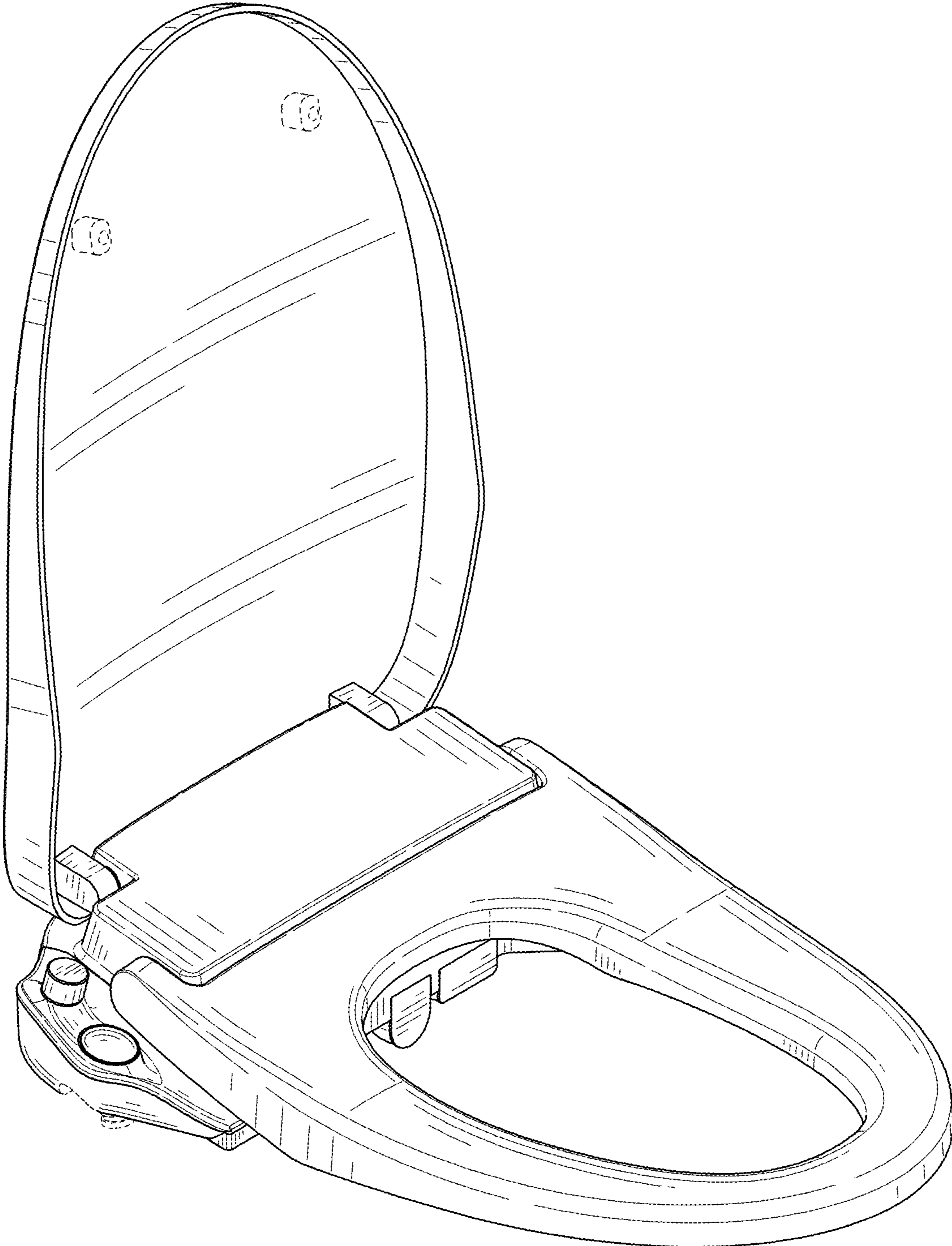


FIG. 9