



US00D944949S

(12) **United States Design Patent** (10) **Patent No.:** **US D944,949 S**  
**Pei** (45) **Date of Patent:** **\*\* Mar. 1, 2022**

(54) **PORTABLE TOILET SEAT**  
(71) Applicant: **Shenzhen Zuoxian Technology Co., Ltd.**, Shenzhen (CN)  
(72) Inventor: **Binjie Pei**, Shenzhen (CN)  
(\*\*) Term: **15 Years**  
(21) Appl. No.: **29/756,513**  
(22) Filed: **Oct. 29, 2020**  
(51) **LOC (13) Cl.** ..... **23-02**  
(52) **U.S. Cl.**  
USPC ..... **D23/299**  
(58) **Field of Classification Search**  
USPC ..... D23/295, 299-301, 311-312  
See application file for complete search history.

(56) **References Cited**  
U.S. PATENT DOCUMENTS  
3,063,061 A \* 11/1962 Bertram ..... A47K 11/06  
4/484  
3,950,794 A \* 4/1976 Dalton ..... A47K 11/02  
4/484  
D355,710 S \* 2/1995 Hostetler ..... D23/299  
D472,618 S \* 4/2003 Sharp ..... D23/299  
D507,045 S \* 7/2005 Battiston ..... D23/304  
2008/0168598 A1\* 7/2008 Cheng ..... A47K 11/04  
4/483

2011/0067739 A1\* 3/2011 Ma ..... A47K 11/04  
135/66  
2016/0262585 A1\* 9/2016 Brown ..... A47K 17/02  
2016/0287038 A1\* 10/2016 Nelson ..... A47K 11/04  
\* cited by examiner

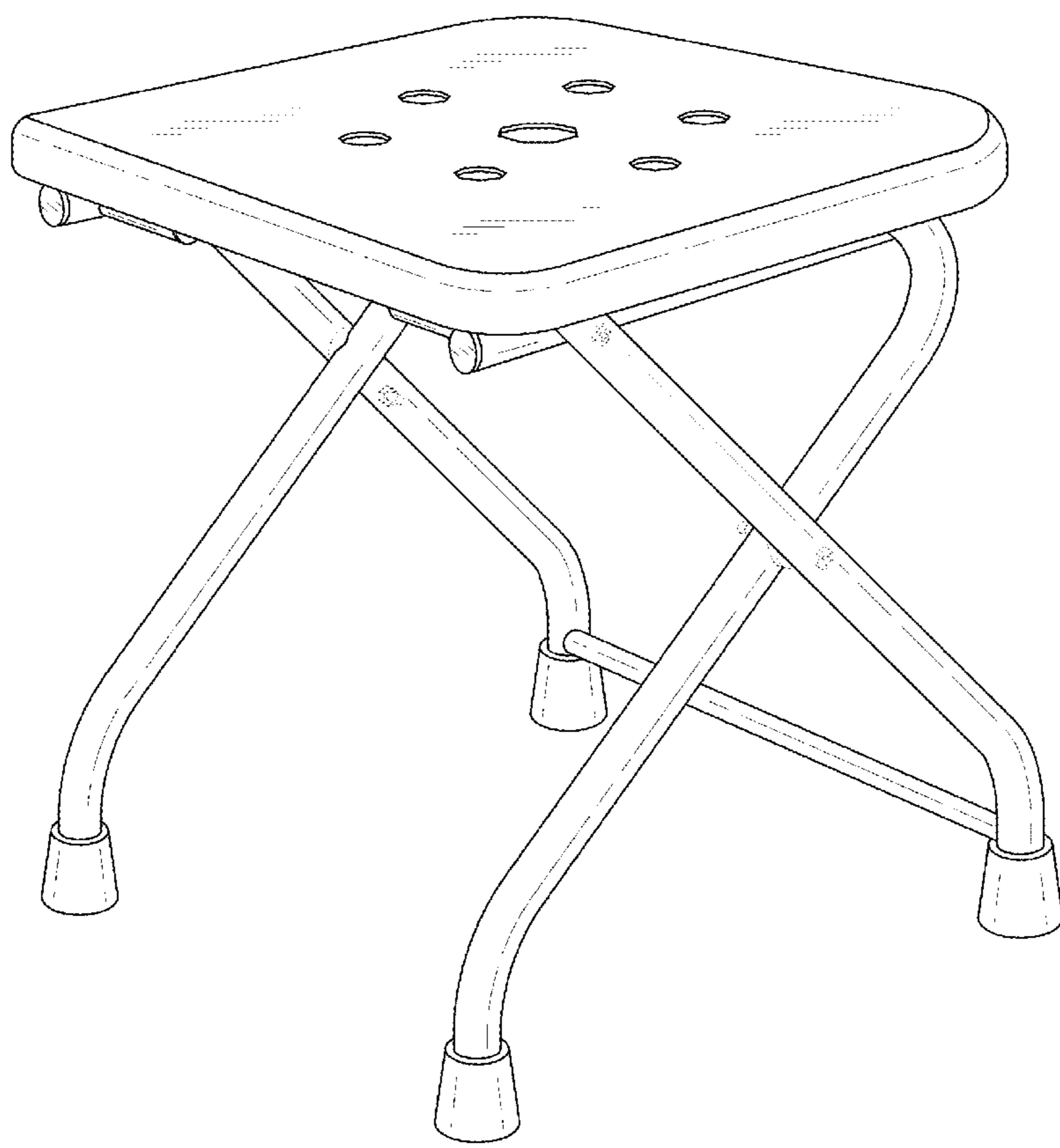
*Primary Examiner* — Robert A Delehanty  
(74) *Attorney, Agent, or Firm* — Rumit Ranjit Kanakia  
(57) **CLAIM**

I claim the ornamental design for a portable toilet seat, as shown and described.

**DESCRIPTION**

FIG. 1 is a perspective view of a portable toilet seat showing my new design;  
FIG. 2 is a front elevation view thereof;  
FIG. 3 is a back elevation view thereof;  
FIG. 4 is a right-side elevation view thereof;  
FIG. 5 is a left-side elevation view thereof;  
FIG. 6 is a top plan view of the toilet seat thereof shown separately for the clarity of illustration;  
FIG. 7 is a bottom plan view of the portable toilet seat shown in FIG. 1;  
FIG. 8 is an exploded plan view thereof;  
FIG. 9 is a partial exploded perspective view thereof;  
FIG. 10 is perspective view thereof shown without the lid; and,  
FIG. 11 is a top plan view of the lid shown separately for clarity of illustration.  
The broken lines are for the purpose of illustrating portions of the article that form no part of the claim.

**1 Claim, 11 Drawing Sheets**



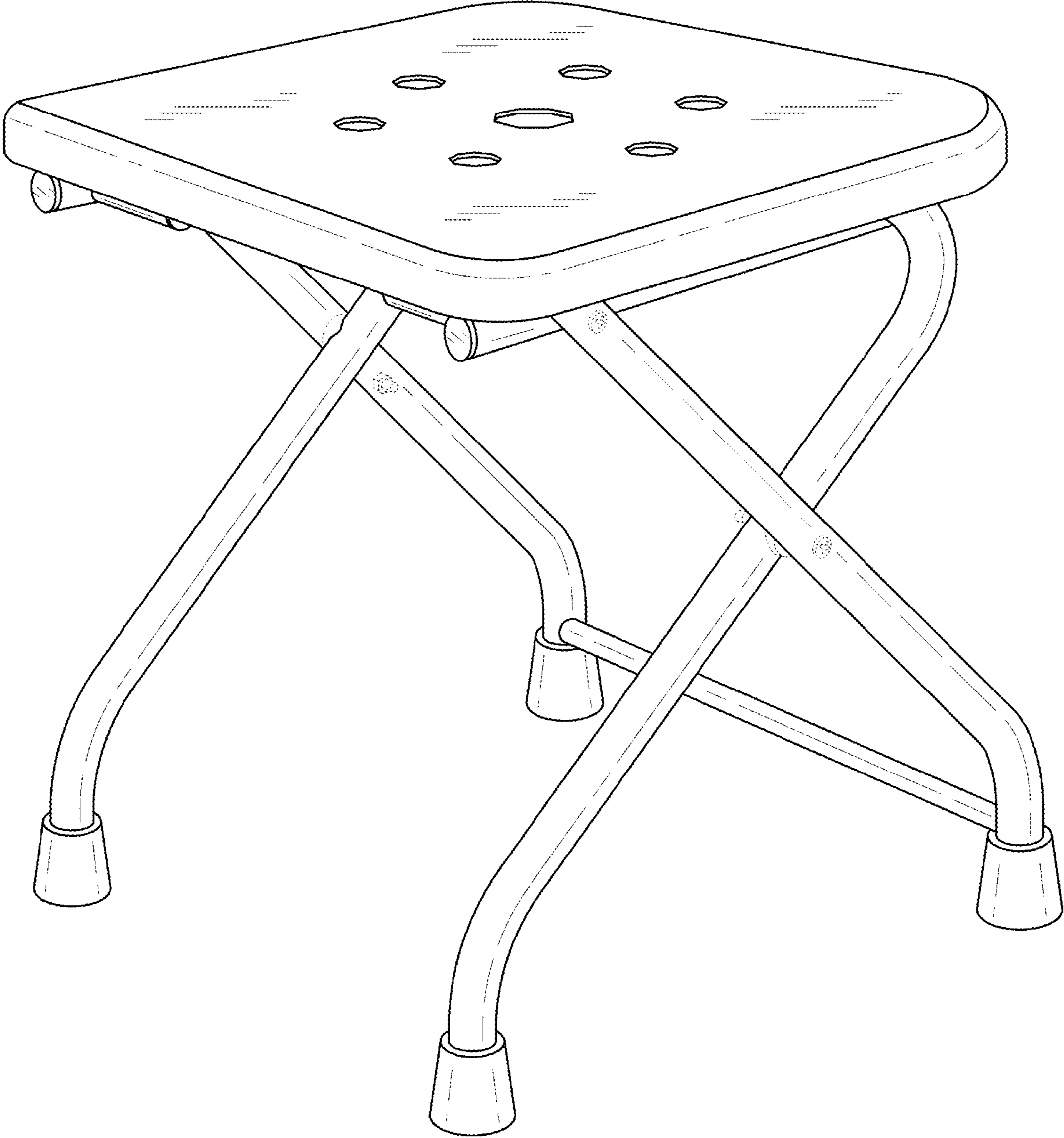


FIG. 1

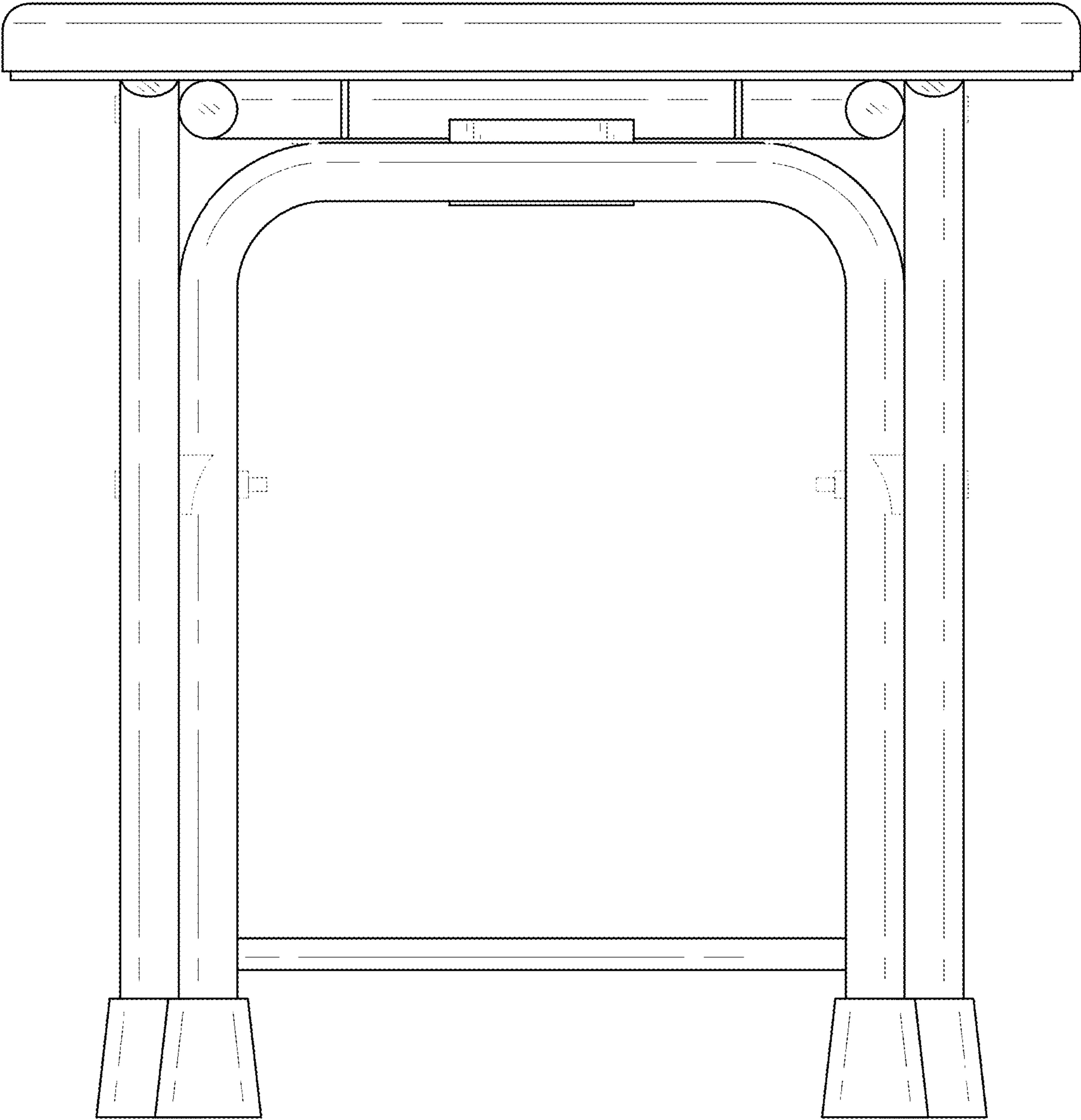


FIG. 2

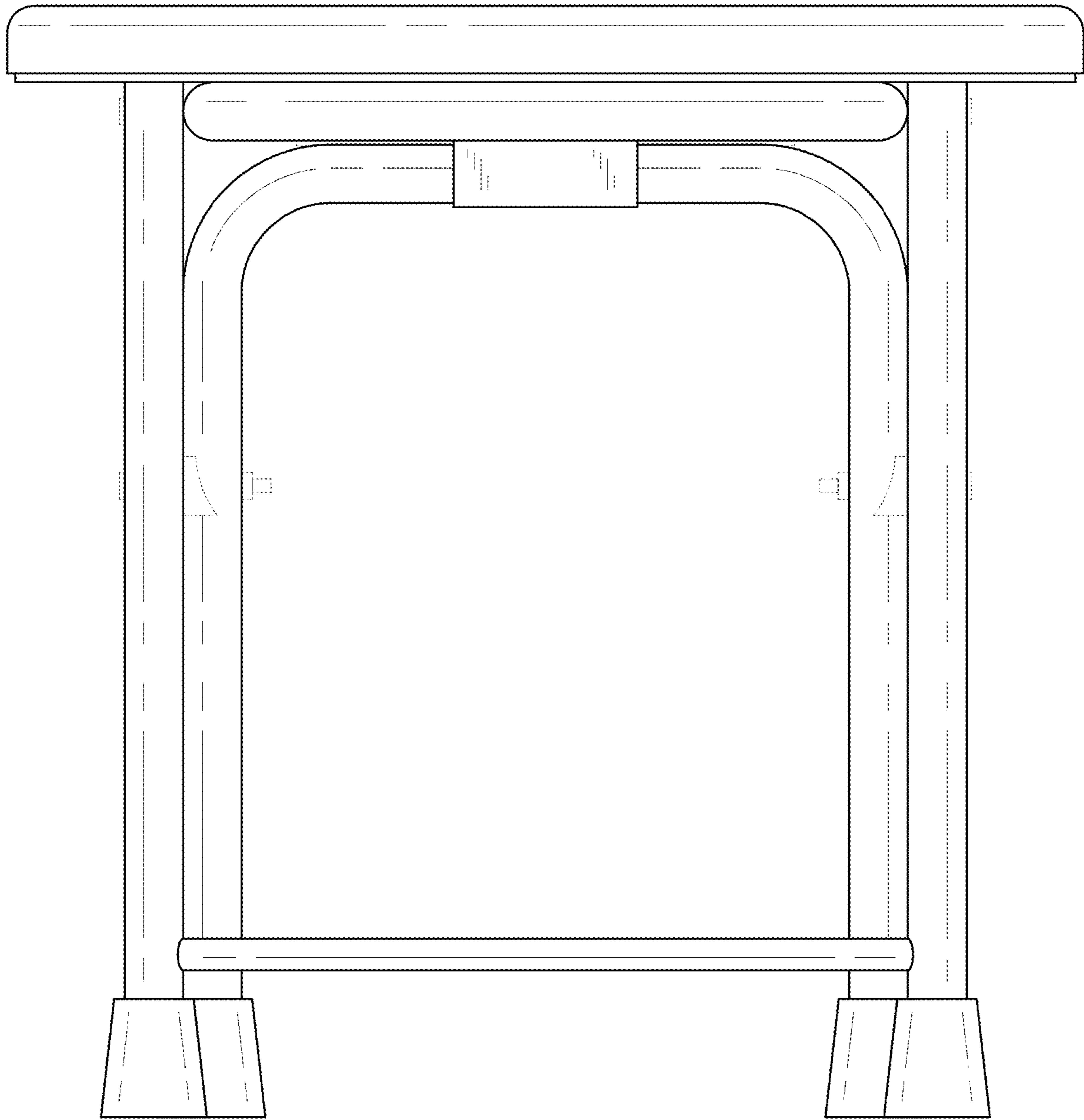


FIG. 3

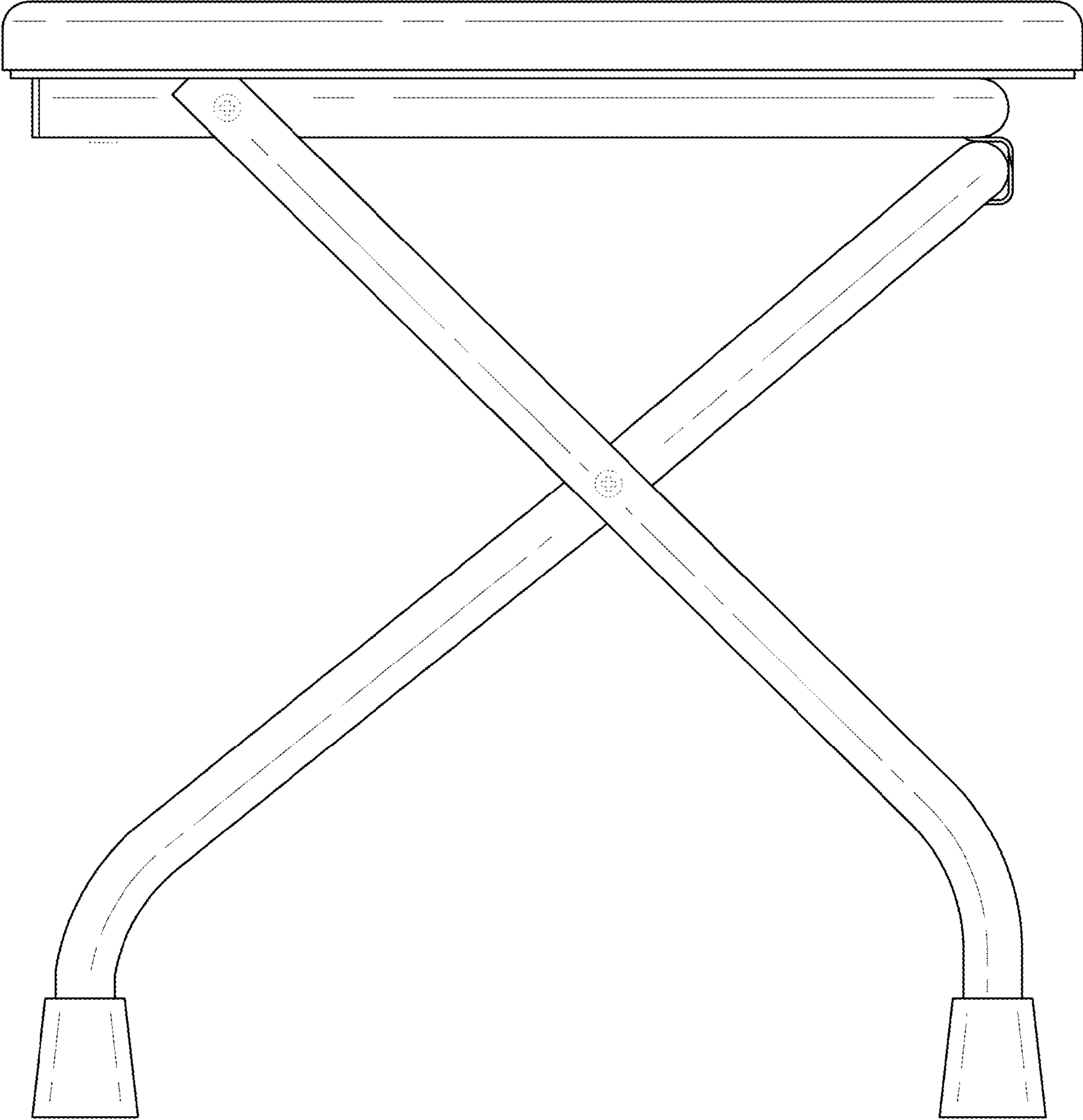


FIG. 4

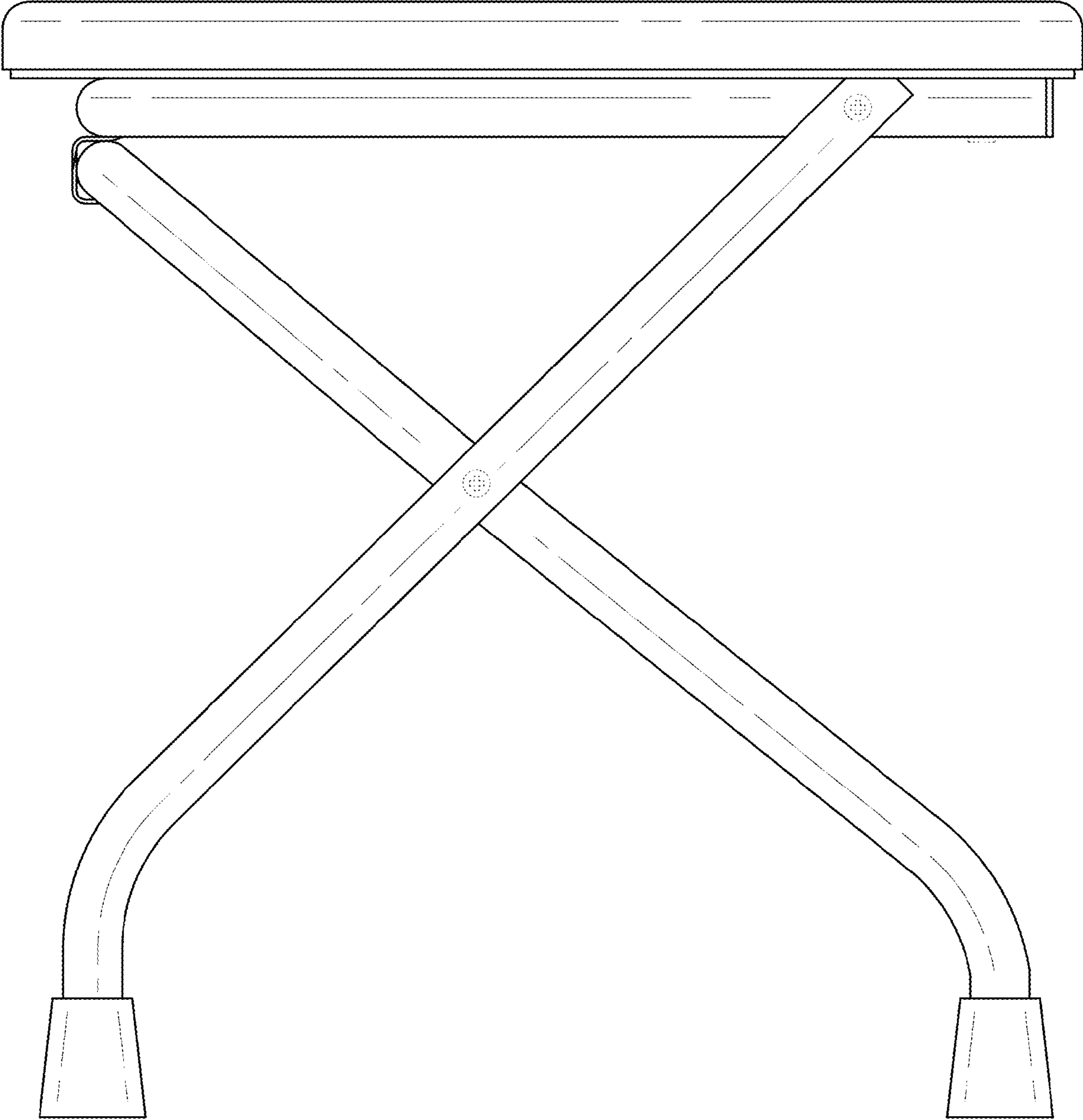


FIG. 5

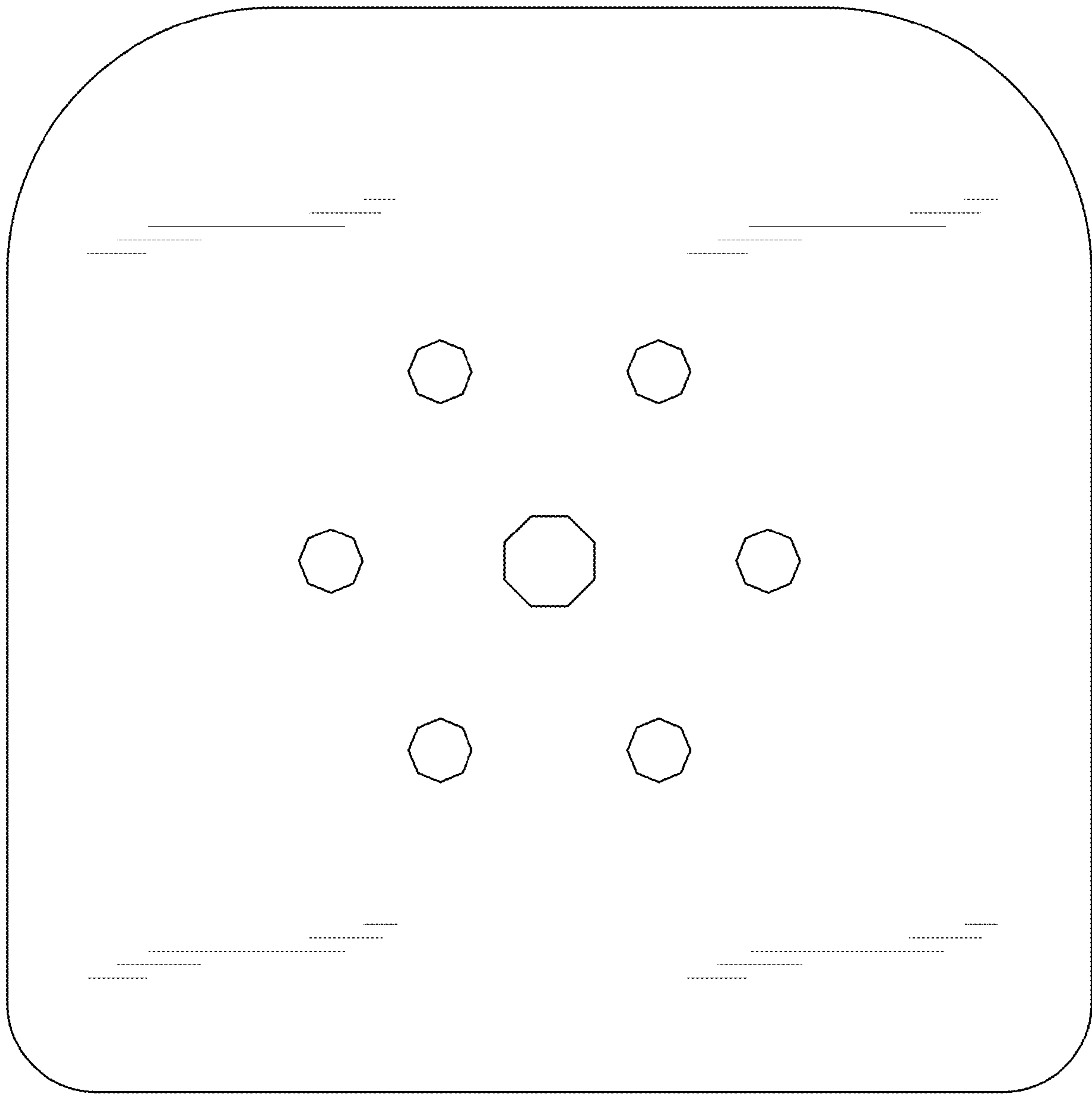


FIG. 6

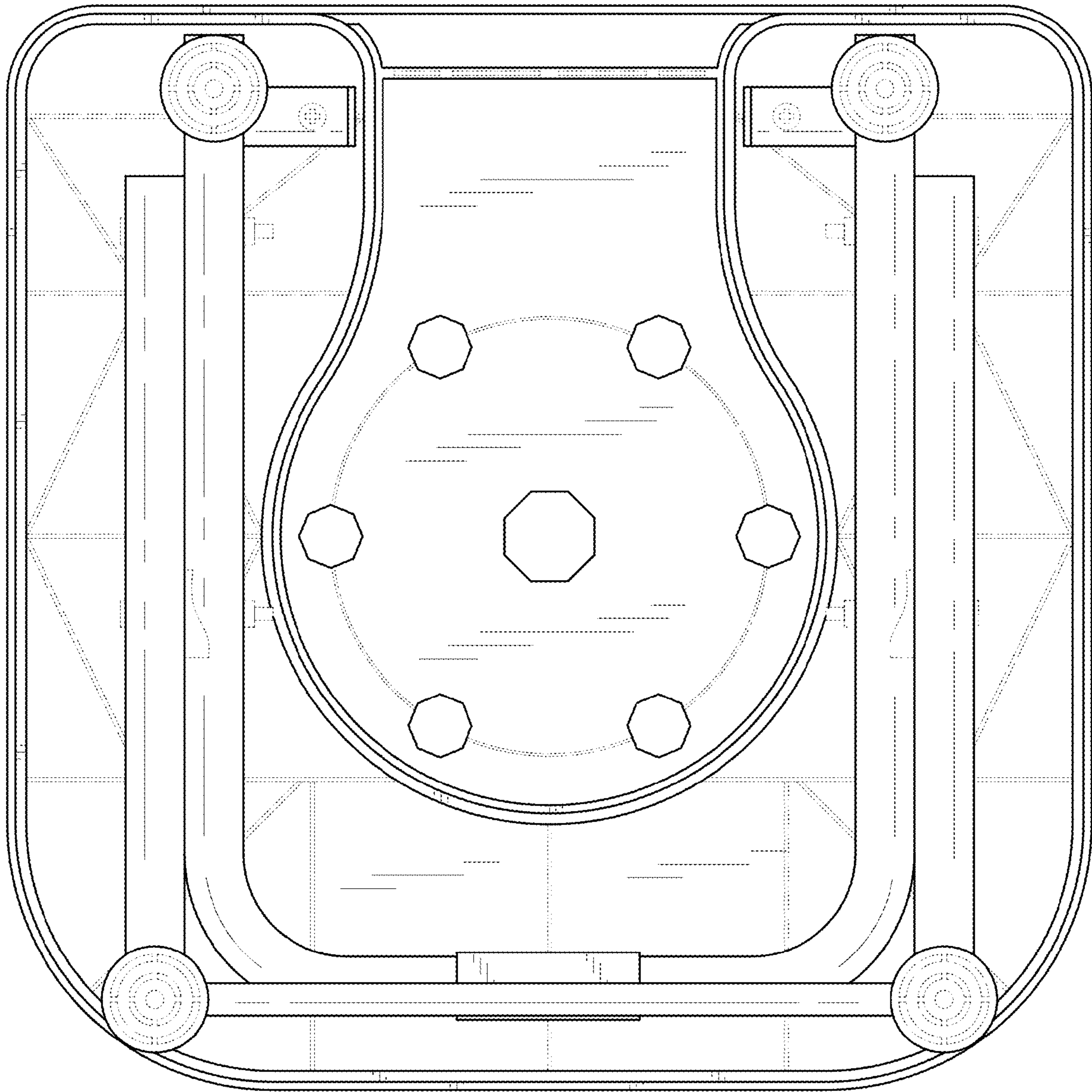


FIG. 7



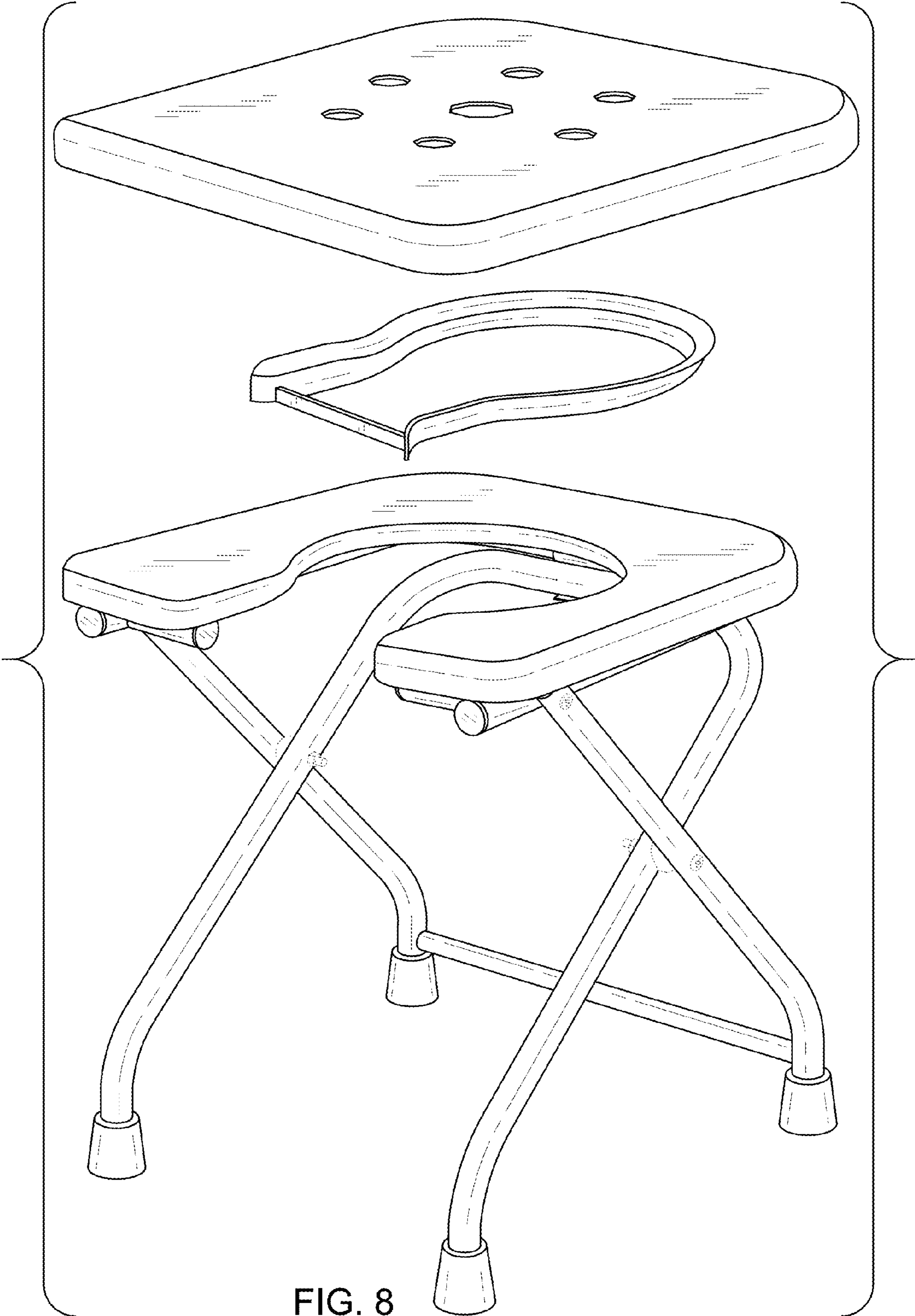


FIG. 8

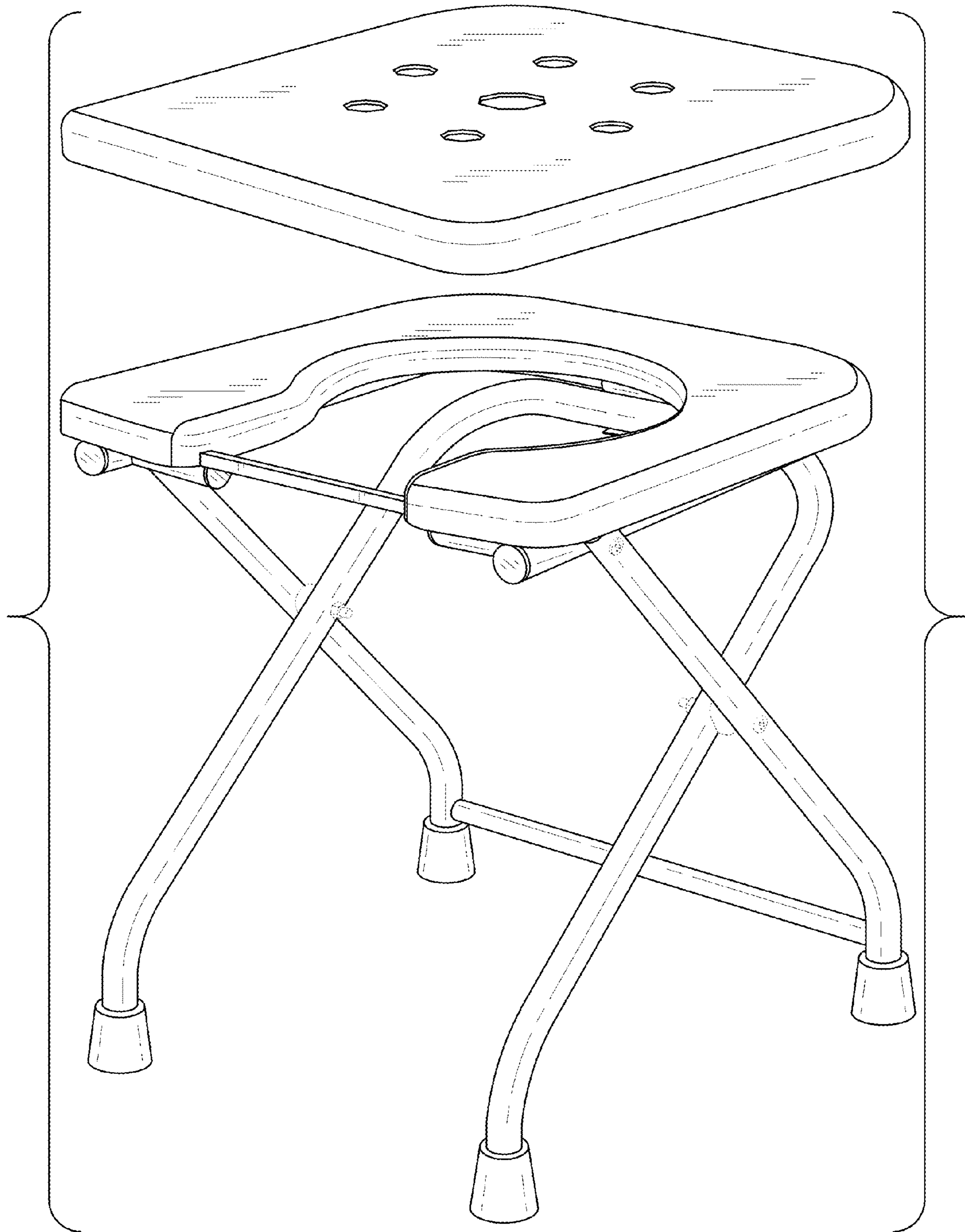


FIG. 9

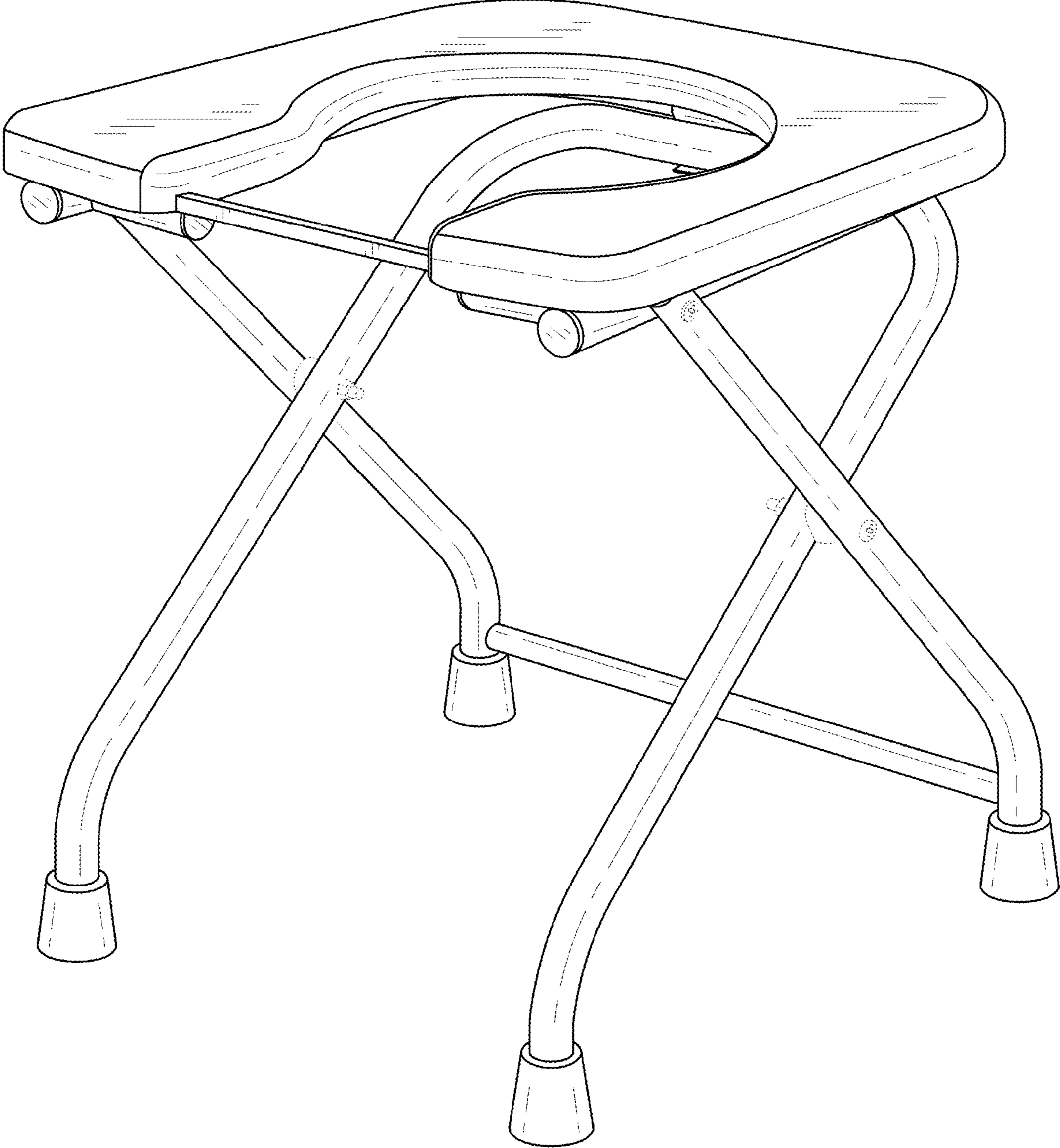


FIG. 10

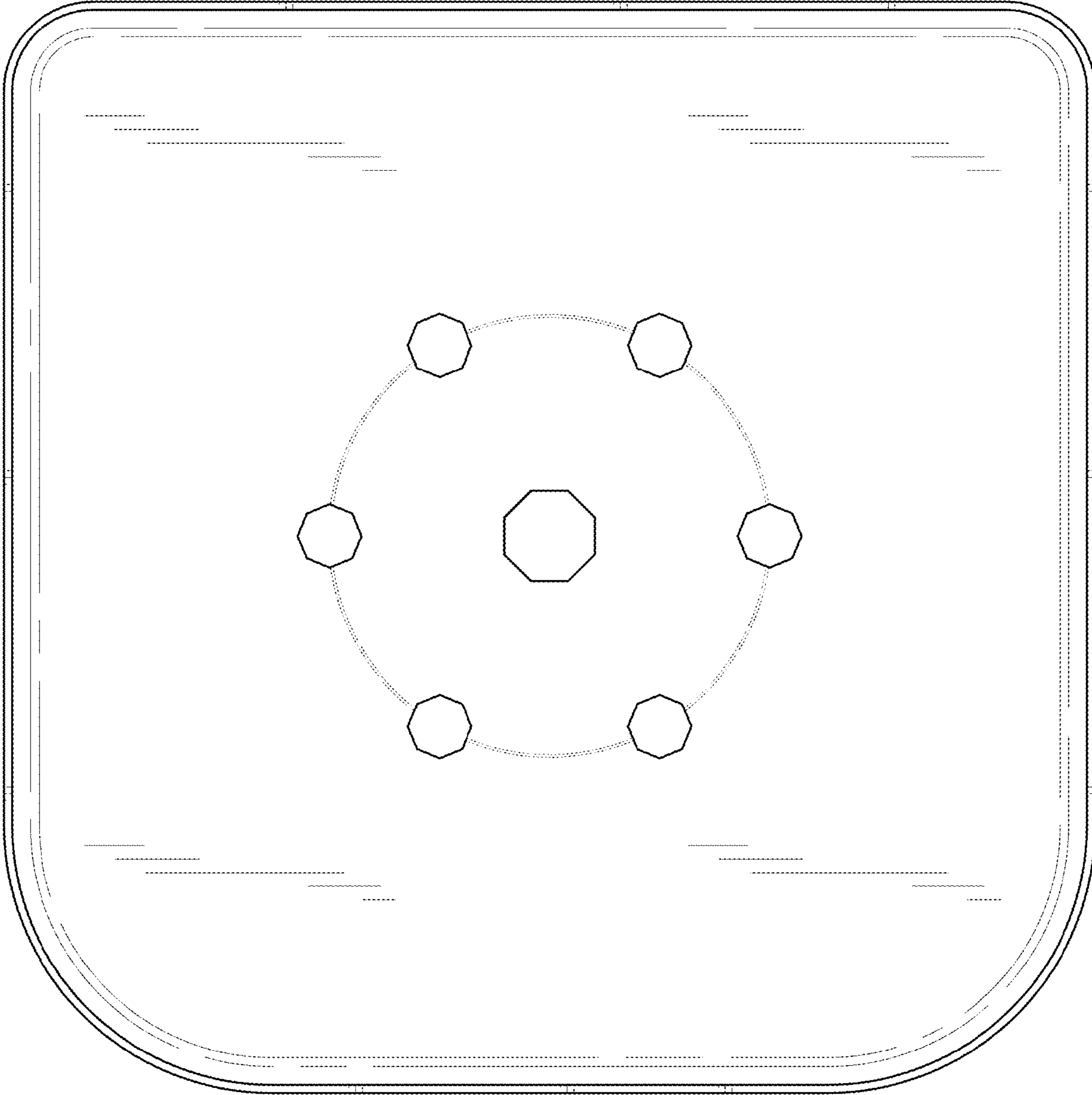


FIG. 11