



US00D944948S

(12) **United States Design Patent** (10) **Patent No.:** **US D944,948 S**  
**Chang** (45) **Date of Patent:** **\*\* Mar. 1, 2022**

(54) **SWIVEL AIR HOSE CONNECTOR**

(71) Applicant: **Solomon Chang**, Keelung (TW)

(72) Inventor: **Solomon Chang**, Keelung (TW)

(\*\*) Term: **15 Years**

(21) Appl. No.: **29/723,908**

(22) Filed: **Feb. 11, 2020**

(51) **LOC (13) Cl.** ..... **23-01**

(52) **U.S. Cl.**  
USPC ..... **D23/262**

(58) **Field of Classification Search**

USPC ..... D23/233, 249, 259, 262, 263–266, 393;  
D32/31; 285/5, 7, 272–273, 127.1, 133.4,  
285/148.22, 190, 239, 334.5; 251/148;  
138/DIG. 4

CPC . F16L 57/07; F16L 3/003; F16L 25/14; F16L  
43/00; F16L 9/18

See application file for complete search history.

(56) **References Cited**

**U.S. PATENT DOCUMENTS**

- 3,210,099 A \* 10/1965 Franck ..... F16L 27/093  
285/190
- D258,381 S \* 2/1981 Lewis ..... D10/85
- D268,612 S \* 4/1983 Sutcliffe ..... D23/264
- D270,369 S \* 8/1983 Fleckenstein ..... D23/264
- D282,772 S \* 2/1986 Fleury ..... D23/263
- D295,552 S \* 5/1988 Huber ..... D23/264
- D295,553 S \* 5/1988 Huber ..... D23/264
- D317,818 S \* 6/1991 Huber ..... D23/264
- D332,483 S \* 1/1993 Lin ..... D23/264
- D429,627 S \* 8/2000 Gradwell ..... D23/262
- D550,334 S \* 9/2007 De Alba ..... D23/259
- 7,614,605 B2 \* 11/2009 Chen ..... B25C 1/04  
173/169
- D784,122 S \* 4/2017 Grangruth ..... D8/382

**OTHER PUBLICATIONS**

A+MAX All Steel Industrial Pneumatic Swivel Fitting, 360 degrees;  
Amazon First Available Date May 27, 2021; Visited Online Dec. 1,  
2021; [https://www.amazon.com/SP720-14M4-Industrial-Pneumatic-Fitting-available/dp/B095YFV6SR/ref=psdc\\_3753811\\_t4\\_B08HM5VG27](https://www.amazon.com/SP720-14M4-Industrial-Pneumatic-Fitting-available/dp/B095YFV6SR/ref=psdc_3753811_t4_B08HM5VG27) (Year: 2021).\*

Paint Spray Gun Swivel Fitting NPS Female Thread; Amazon First Available Date Sep. 19, 2020; Visited Online Dec. 1, 2021; [https://www.amazon.com/dp/B08HM5VG27/ref=sspa\\_dk\\_detail\\_4?psc=1&pd\\_rd\\_w=45jsk&pf\\_rd\\_p=9fd3ea7c-b77c-42ac-b43b-c872d3f37c38&pd\\_rd\\_wg=OsdKO&pf\\_rd\\_r=W3HVGvVHJAWDK73TMNWGM&pd\\_rd\\_r=ecc0a81d-746e-41a8-8d69-a830a8e805e4&spLa=ZW5jcnlwdGVkUXVhbGlmaWVyPUEyMzBINjA4VDA2M1dEJmVuY3J5cHRIZEikPUEwOTE4MzlxMzg2Mk81UjY1NFpMNyZlbnNyeXB0ZWRBZEikPUEwMjg0Mzc3MzM5TzVCOUhCUzAwSCZ3aWRnZXROYW11PXNwX2RldGFpbCZlY3Rpb249Y2xpY2tSZW RpcmVjdCZkb05vdExvZ0NsaWNrPXRydWU=](https://www.amazon.com/dp/B08HM5VG27/ref=sspa_dk_detail_4?psc=1&pd_rd_w=45jsk&pf_rd_p=9fd3ea7c-b77c-42ac-b43b-c872d3f37c38&pd_rd_wg=OsdKO&pf_rd_r=W3HVGvVHJAWDK73TMNWGM&pd_rd_r=ecc0a81d-746e-41a8-8d69-a830a8e805e4&spLa=ZW5jcnlwdGVkUXVhbGlmaWVyPUEyMzBINjA4VDA2M1dEJmVuY3J5cHRIZEikPUEwOTE4MzlxMzg2Mk81UjY1NFpMNyZlbnNyeXB0ZWRBZEikPUEwMjg0Mzc3MzM5TzVCOUhCUzAwSCZ3aWRnZXROYW11PXNwX2RldGFpbCZlY3Rpb249Y2xpY2tSZW RpcmVjdCZkb05vdExvZ0NsaWNrPXRydWU=) (Year: 2020).\*

WYNNsky Industrial ¼" NPT Male Thread Swivel Air Plug; Amazon First Available Date Oct. 23, 2017; Visited Online Dec. 1, 2021; [https://www.amazon.com/WYNNsky-Industrial-Thread-Automotive-Coupler/dp/B076PXX2DM/ref=dp\\_prsubs\\_2?pd\\_rd\\_i=B076PXX2DM&th=1](https://www.amazon.com/WYNNsky-Industrial-Thread-Automotive-Coupler/dp/B076PXX2DM/ref=dp_prsubs_2?pd_rd_i=B076PXX2DM&th=1) (Year: 2017).\*

WYNNsky ¼" NPT 360 Degree Swivel Air Hose Connector; Amazon First Available Date May 28, 2018; Visited Online Dec. 1, 2021; <https://www.amazon.com/WYNNsky-Degree-Connector-Industrial-Fittings/dp/B07DCHQ93F> (Year: 2018).\*

\* cited by examiner

*Primary Examiner* — Amy C Wierenga

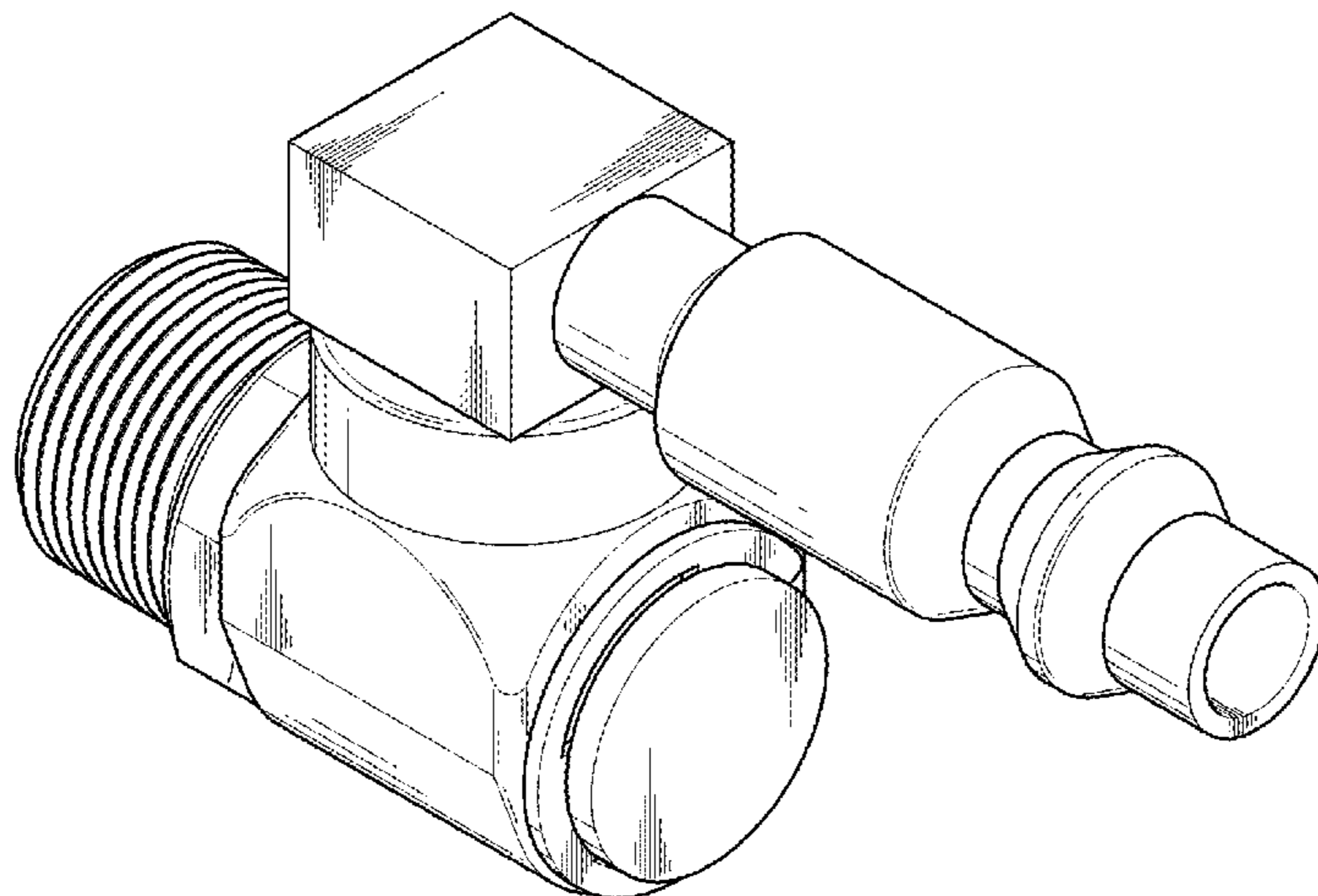
(57) **CLAIM**

The ornamental design for a swivel air hose connector, as shown.

**DESCRIPTION**

FIG. 1 is a perspective view of a swivel air hose connector showing my new design;  
FIG. 2 is a front view thereof;  
FIG. 3 is a rear view thereof;  
FIG. 4 is a left view thereof;  
FIG. 5 is a right view thereof;  
FIG. 6 is a top view thereof; and,  
FIG. 7 is a bottom view thereof.

**1 Claim, 4 Drawing Sheets**



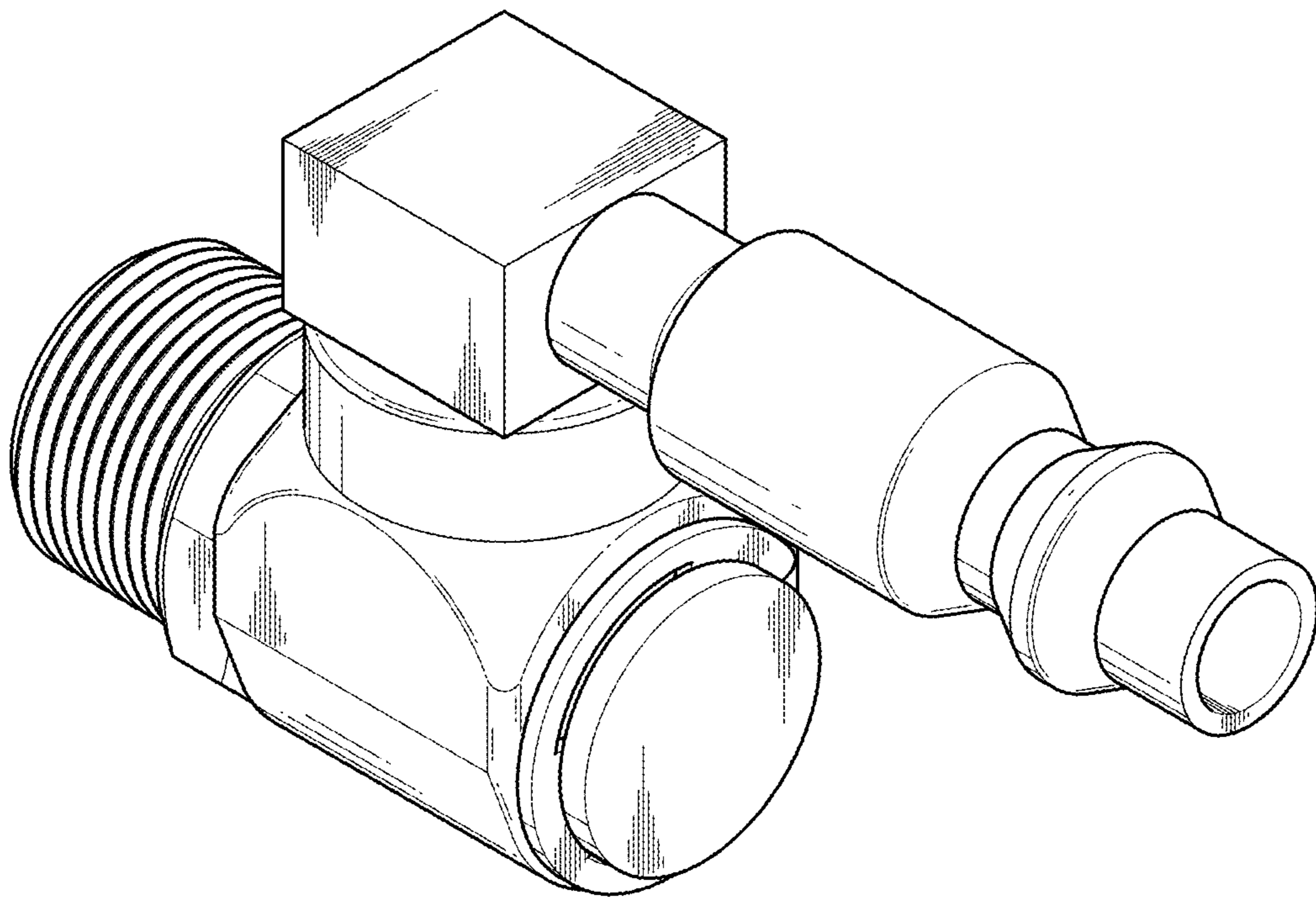


Fig. 1

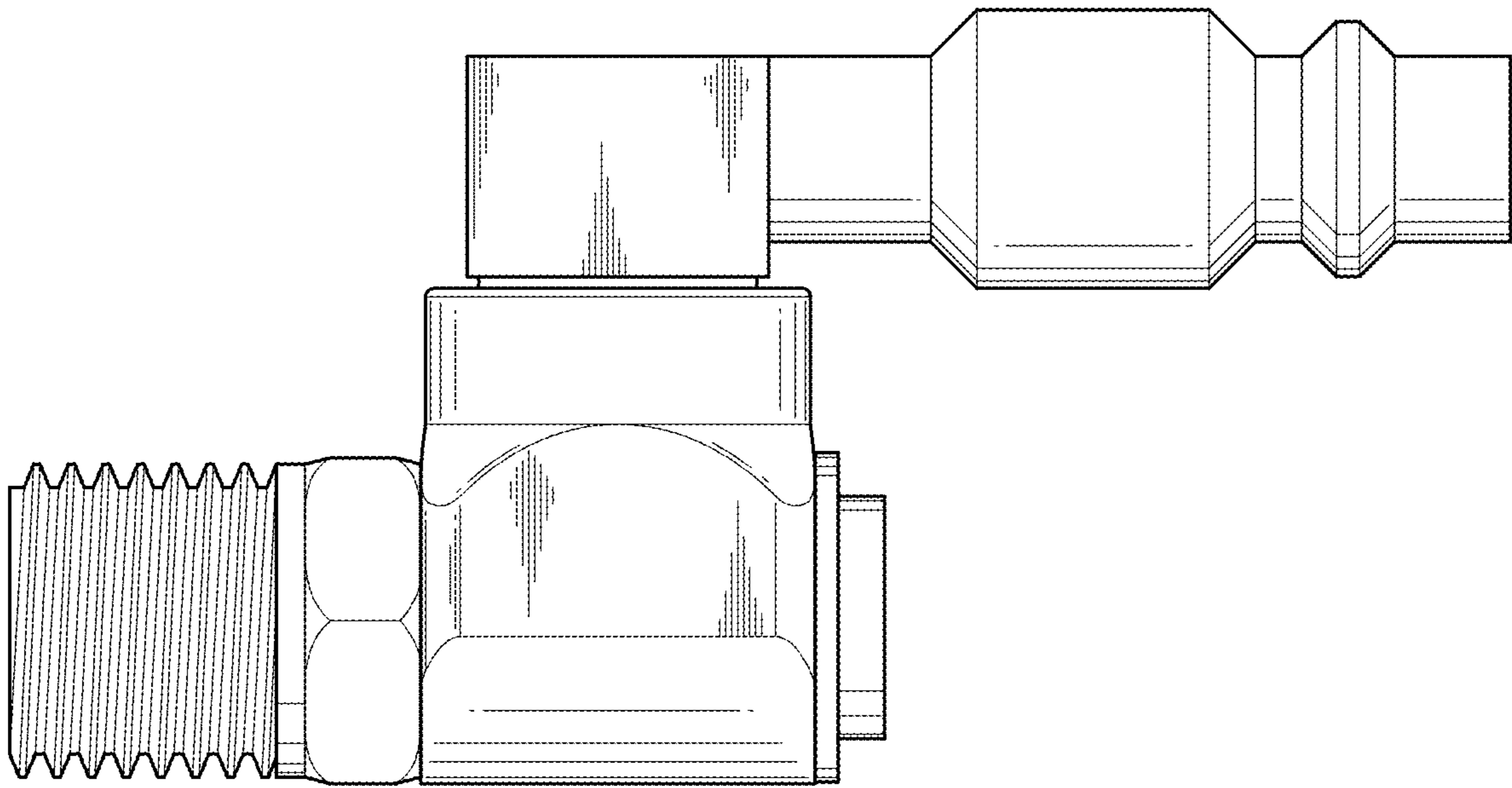


Fig.2

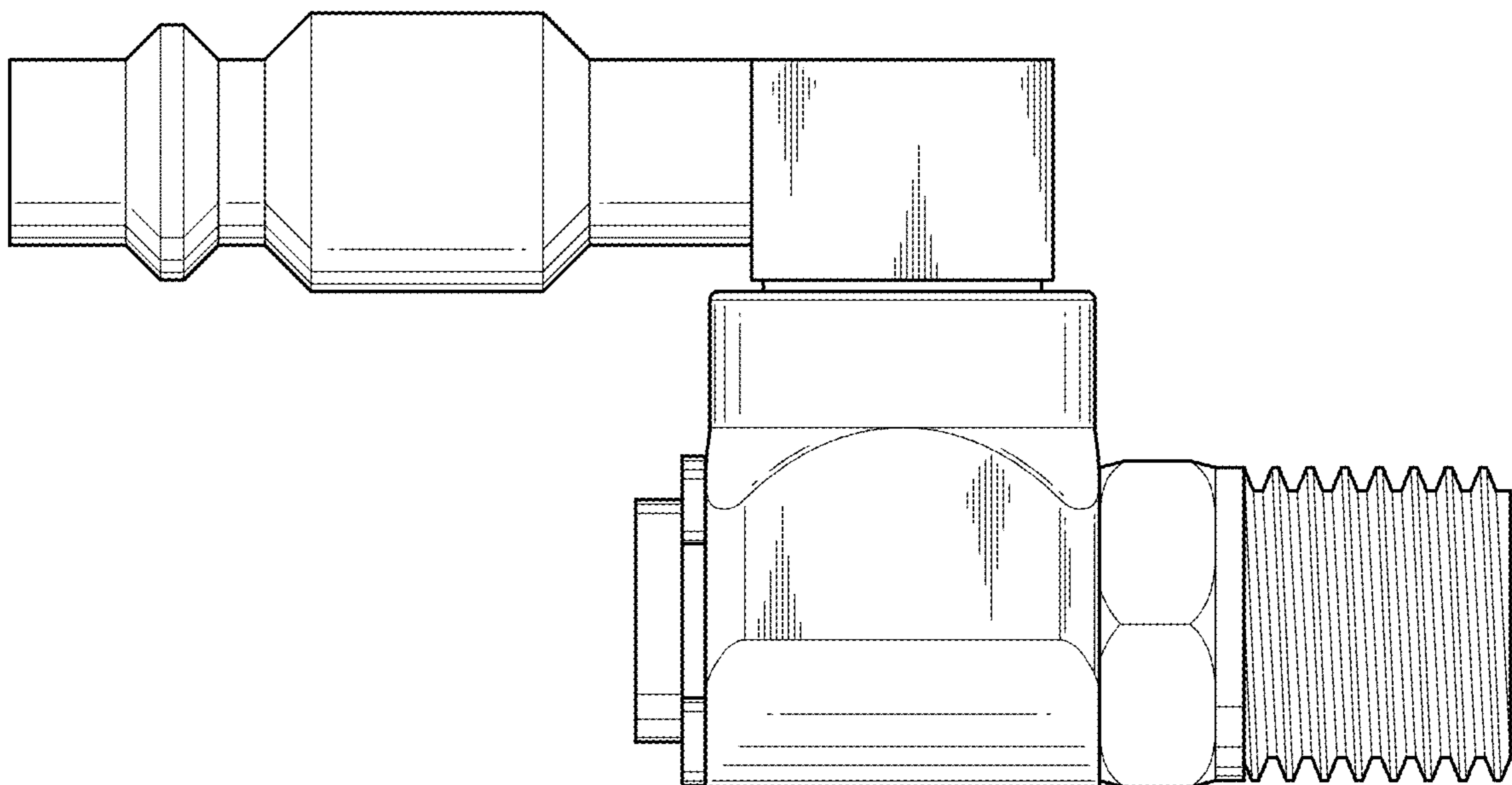


Fig.3

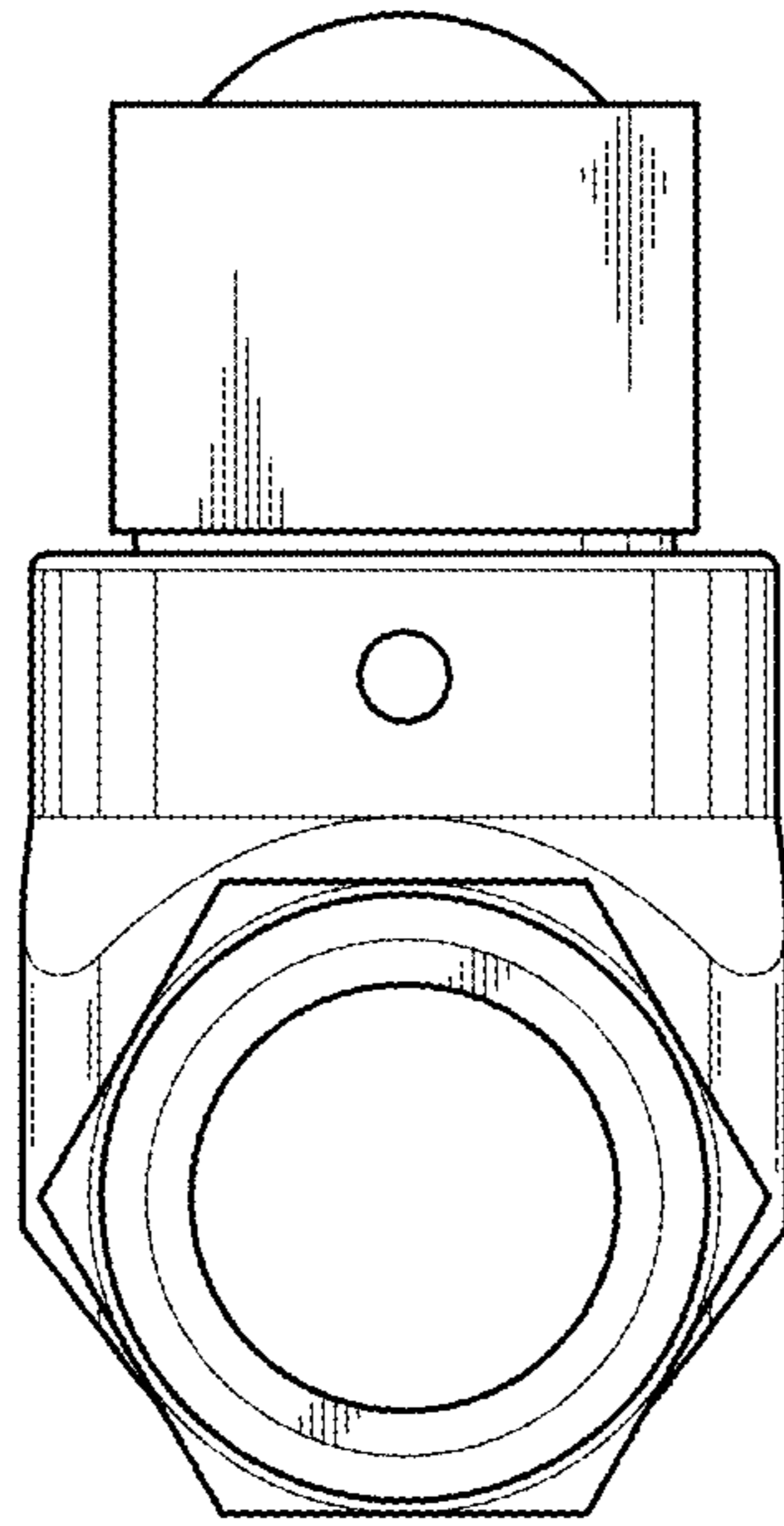


Fig.4

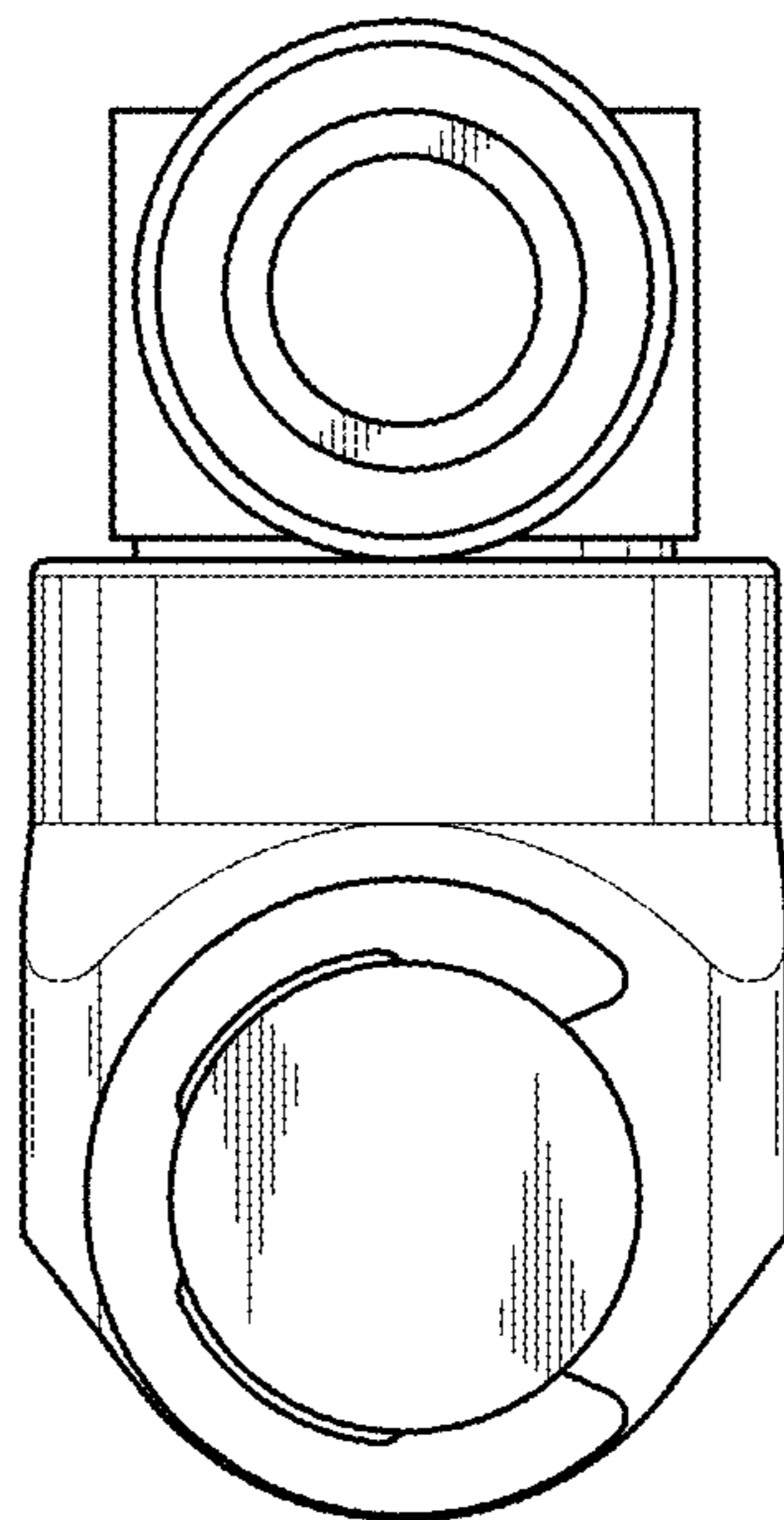


Fig.5

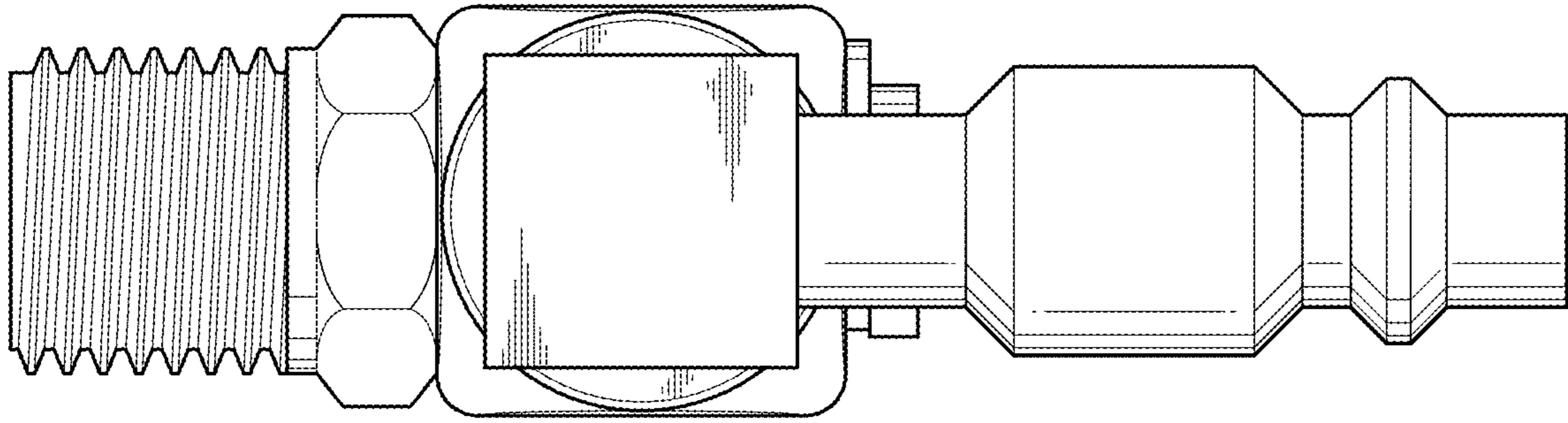


Fig. 6

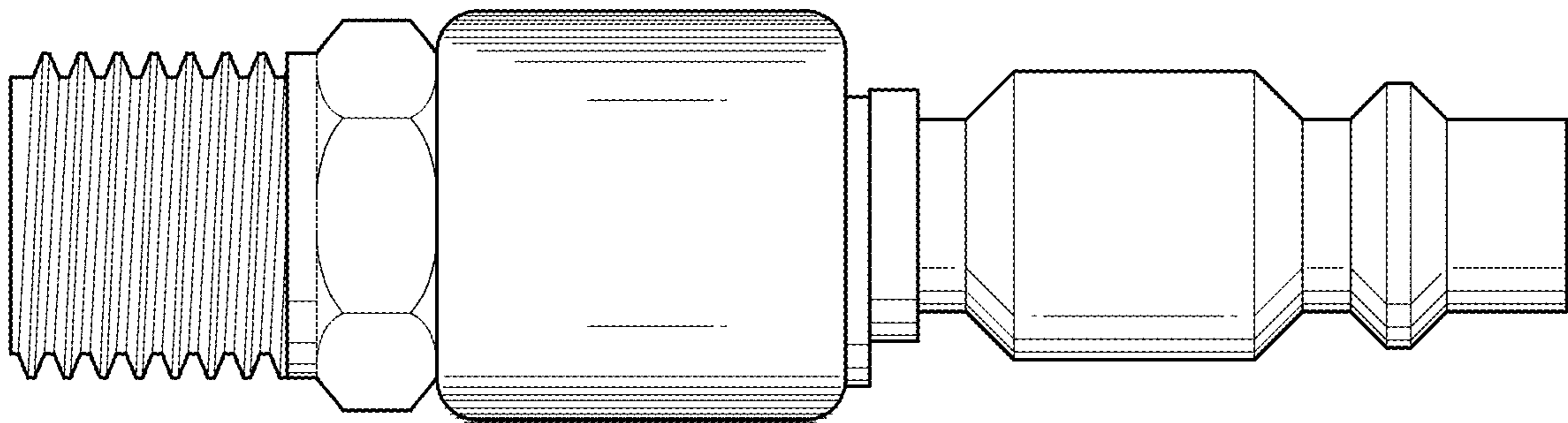


Fig. 7