

US00D944947S

(12) **United States Design Patent**
Han

(10) **Patent No.:** **US D944,947 S**
(45) **Date of Patent:** **** Mar. 1, 2022**

(54) **RELEASE GREASE COUPLER**
(71) Applicant: **Huabing Han**, Hangzhou (CN)
(72) Inventor: **Huabing Han**, Hangzhou (CN)
(**) Term: **15 Years**

8,720,487 B2 * 5/2014 Cooley F16L 37/34
137/614.05
10,041,616 B2 * 8/2018 Danielson F16L 25/14
2015/0115601 A1 * 4/2015 Boucher F16L 37/407
285/325
2018/0299065 A1 * 10/2018 Hung F16K 15/044
2019/0120413 A1 * 4/2019 Verma F16L 37/121

(21) Appl. No.: **29/720,346**

(22) Filed: **Jan. 13, 2020**

(30) **Foreign Application Priority Data**

Jul. 31, 2019 (CN) 201930411490.8

(51) **LOC (13) Cl.** **23-01**

(52) **U.S. Cl.**
USPC **D23/262**; D23/226

(58) **Field of Classification Search**
USPC D23/213, 226, 245, 259, 262, 266;
D8/14.1, 108, 112-113, 129, 133, 135,
D8/137-138; 222/335, 470-474, 571;
184/28-29, 105.1-105.3; 285/305, 308,
285/316-318, 322
CPC F16N 23/00; F16L 11/00
See application file for complete search history.

(56) **References Cited**

U.S. PATENT DOCUMENTS

935,268 A * 9/1909 Levedahl F16K 31/52408
251/240
2,070,013 A * 2/1937 Krannak F16L 37/127
285/316
2,285,010 A * 6/1942 Bullock F16K 21/14
251/101
2,678,848 A * 5/1954 Grewe F16K 21/04
239/572
D215,287 S * 9/1969 Nordeen D23/226
3,779,586 A * 12/1973 Rossiter F16L 37/407
285/308
3,885,713 A * 5/1975 Weitzel F16N 3/12
222/153.14
D359,343 S * 6/1995 Dawson D23/262

OTHER PUBLICATIONS

UTOOL Grease Gun Coupler; First Available Date Sep. 10, 2020; Visited Online Oct. 28, 2021; https://www.amazon.com/dp/B08HRR97GN/ref=sspa_dk_detail_2?pd_rd_i=B08HRR97GN&pd_rd_w=dgHDq&pf_rd_p=9fd3ea7c-b77c-42ac-b43b-c872d3f37c38&pd_rd_wg=1&pd_rd_r=f21d799a-96ab-4db5-a618-U3yhZ&pf_03c260692c06&spLa=ZW5jenlwdGVkUXVhbGlmaWVyPUEzRU4yWIZVVjRGRkxGJmVuY3J5cHRIZEikPUEwODk1ODY4TIQ5V0ZDRkoyM0IFJmVuY3J5cHRIZEFkSWQ9QTAwMjgzMDczS0ZVNE5WNUUpDUE1OJndpZGdldE5hbWU9c3BfZGV0YWIsJmFjdGlvbGlja1JIZGlyZWNoJmRvTm90TG9nQ2xpY2s9dHJlZQ&th=1 (Year: 2020).*

* cited by examiner

Primary Examiner — Amy C Wierenga

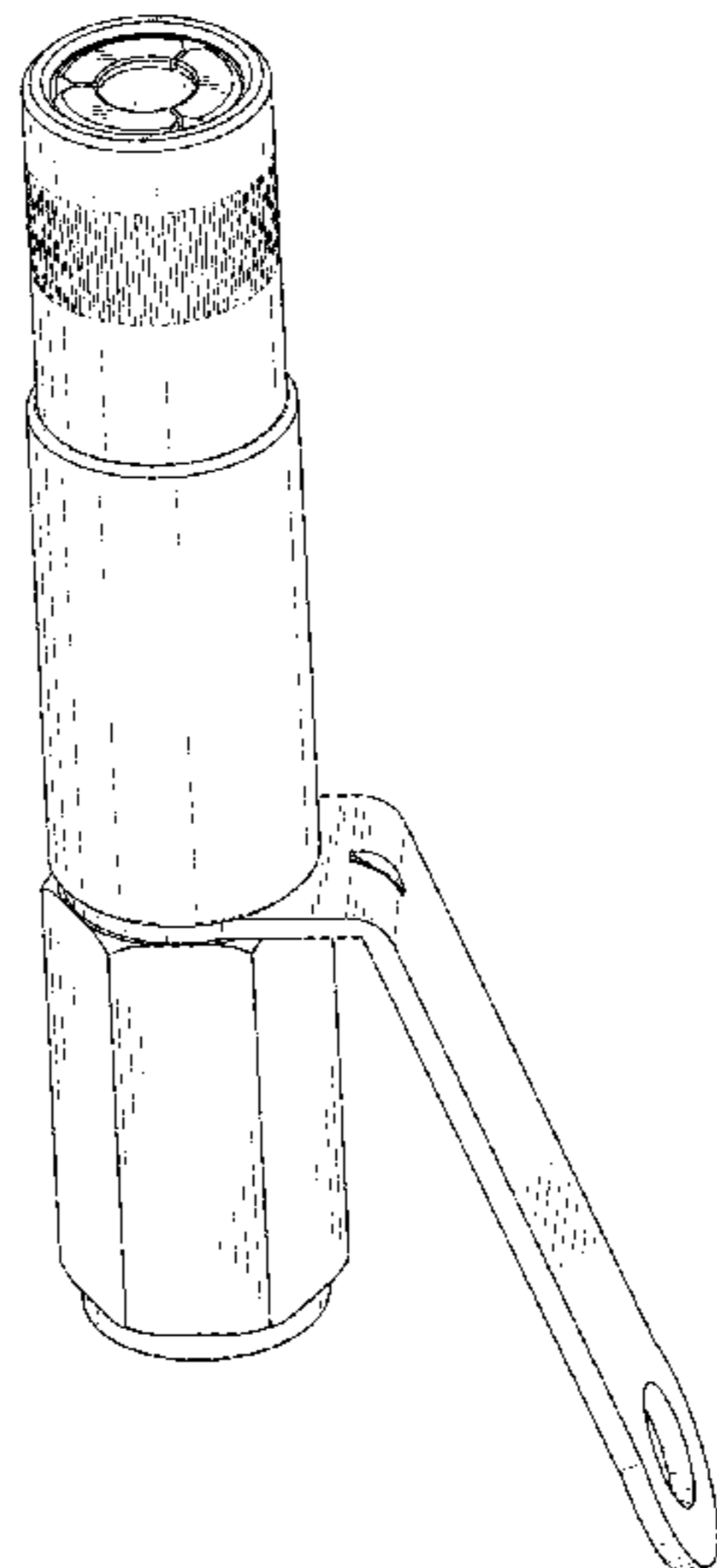
(57) **CLAIM**

The ornamental design for a release grease coupler, as shown and described.

DESCRIPTION

FIG. 1 is a perspective view of a release grease coupler showing my new design;
FIG. 2 is a front view thereof;
FIG. 3 is a rear view thereof;
FIG. 4 is a right side view thereof;
FIG. 5 is a left side view thereof;
FIG. 6 is a top plan view thereof; and,
FIG. 7 is a bottom plan, view thereof.
The broken lines in the figures illustrate portions of the release grease coupler that form no part of the claimed design.

1 Claim, 7 Drawing Sheets



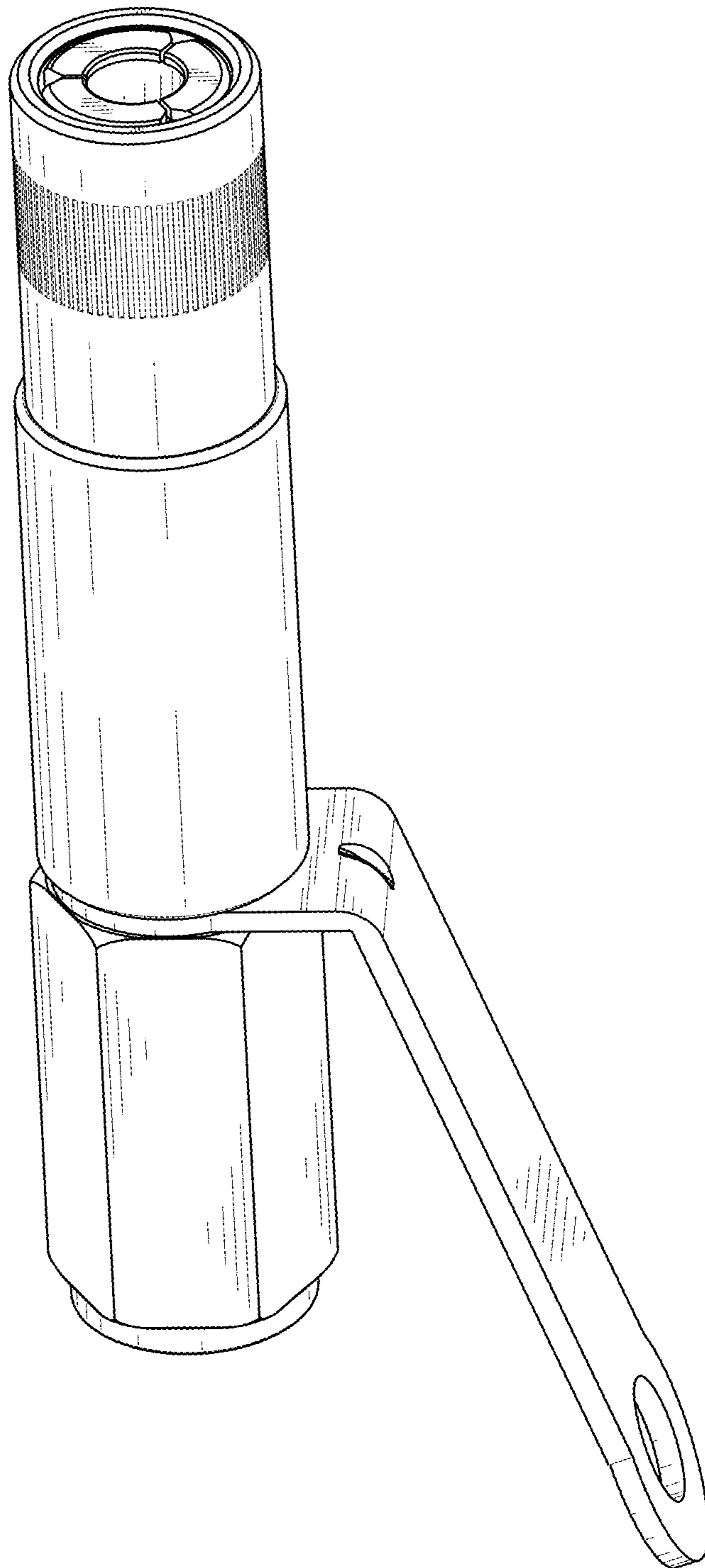


FIG. 1

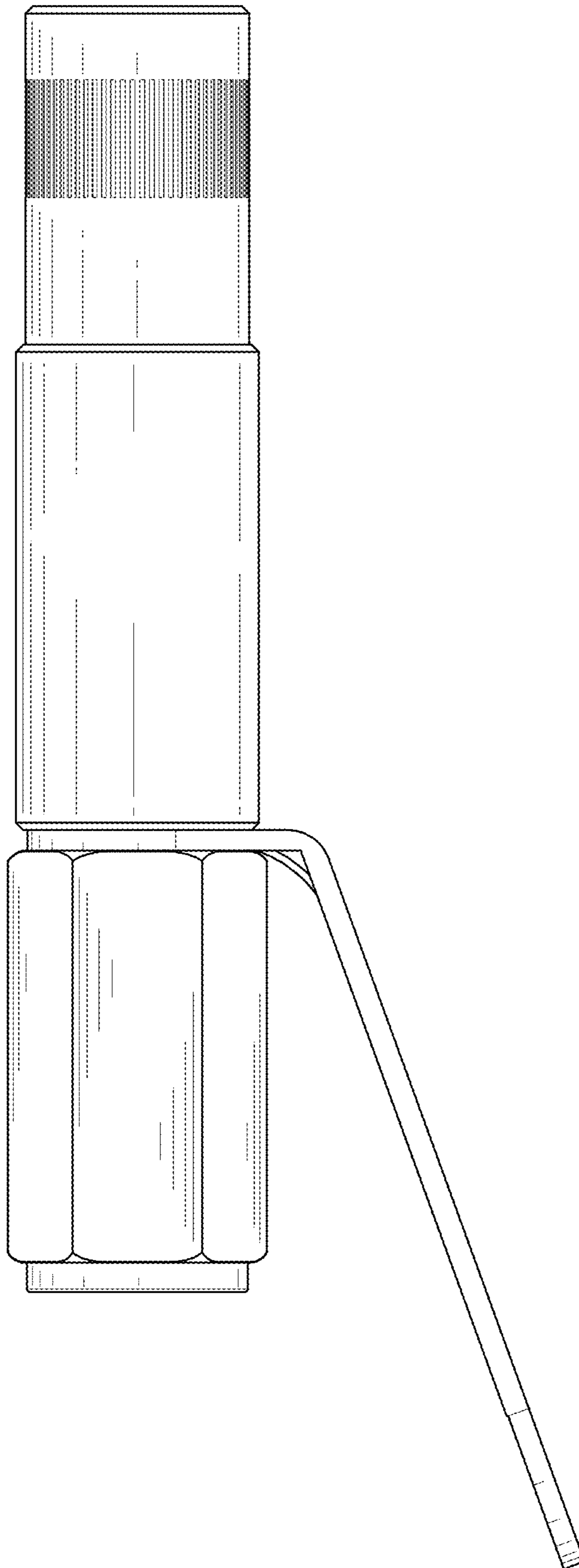


FIG. 2

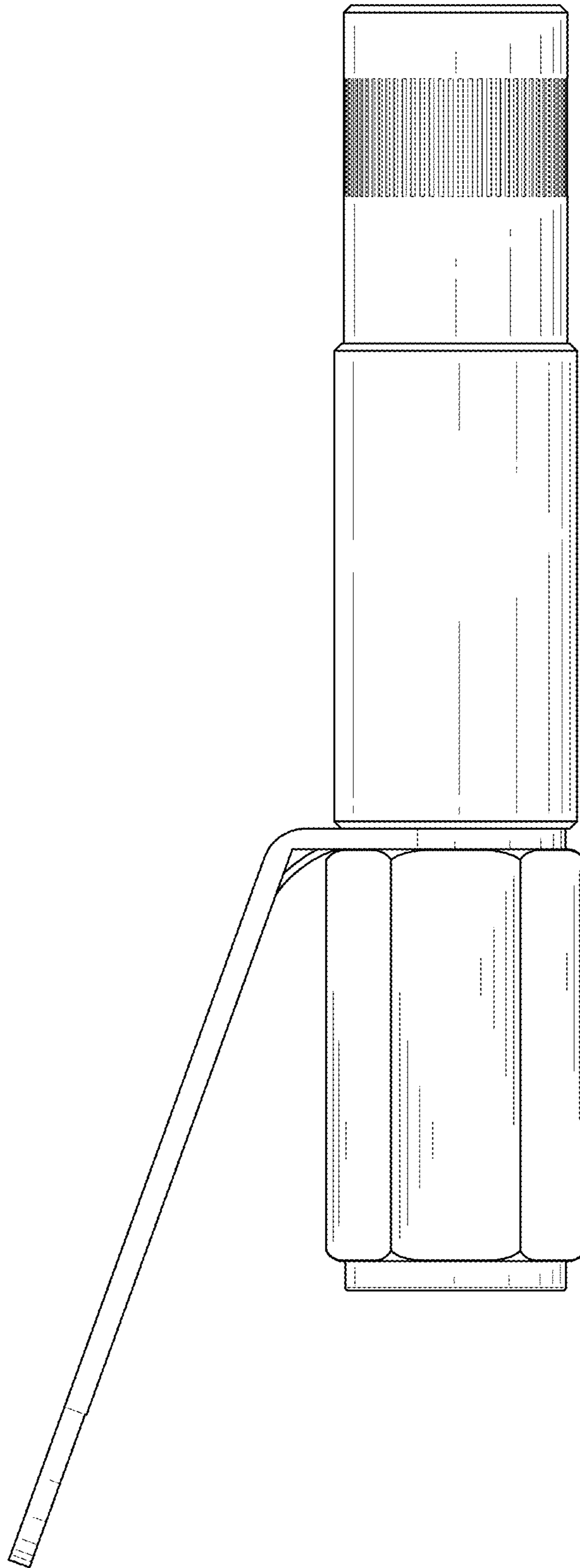


FIG. 3

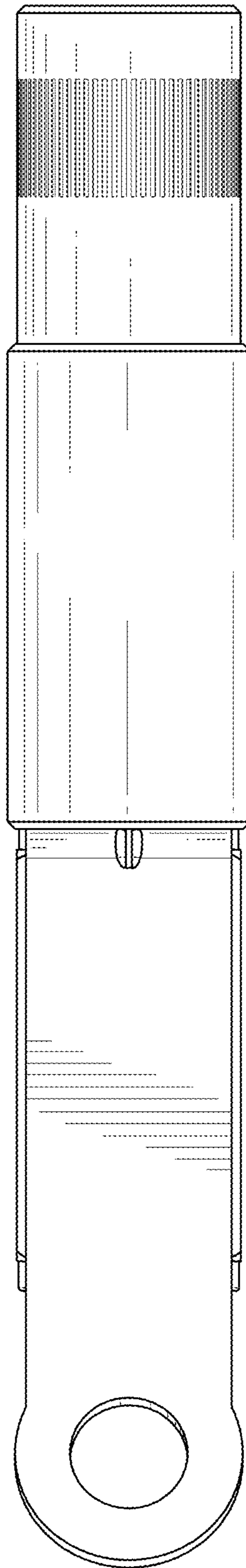


FIG. 4

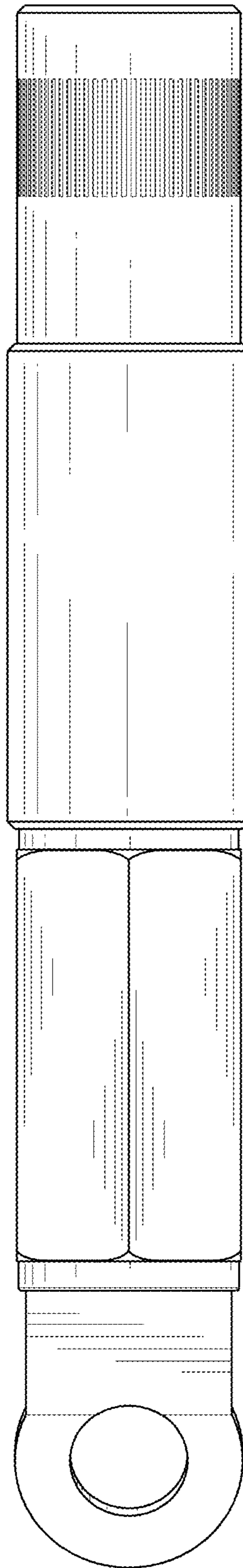


FIG. 5

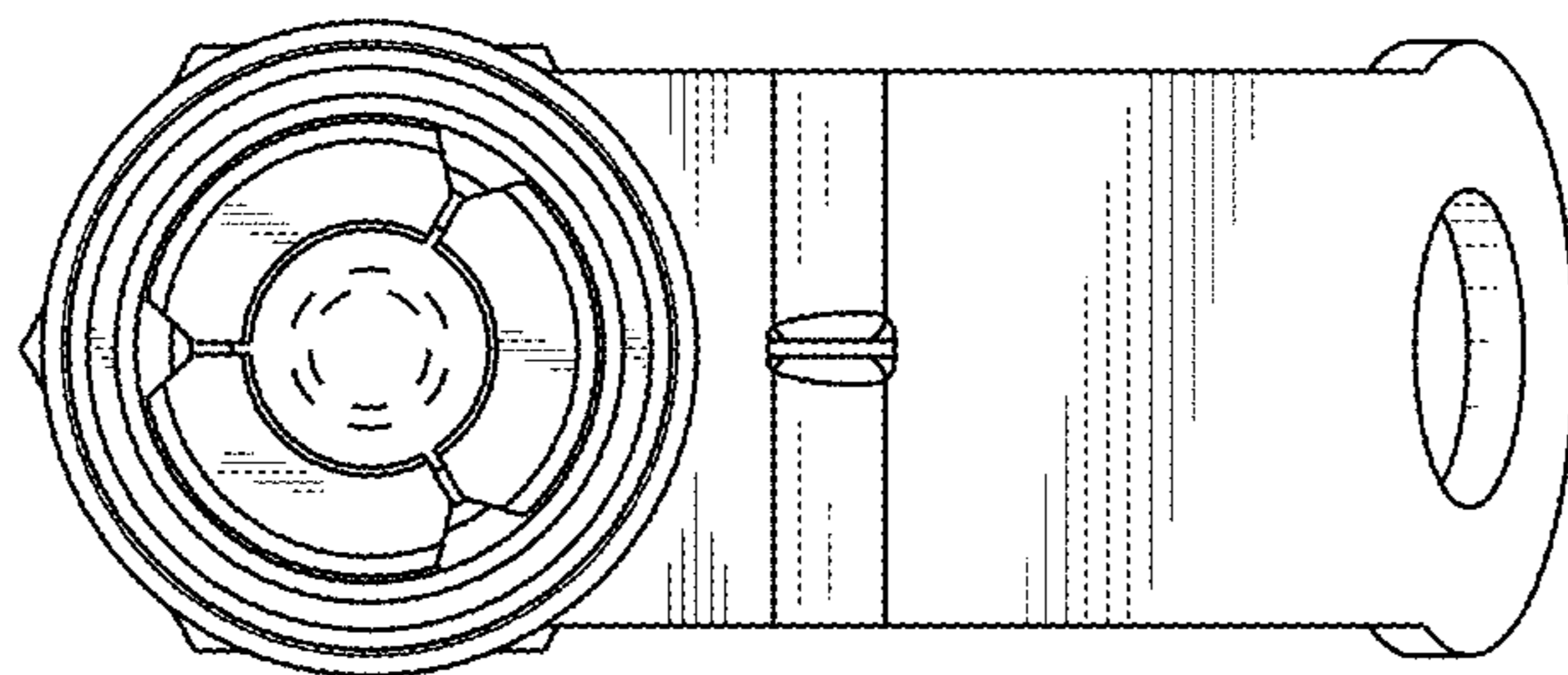


FIG. 6

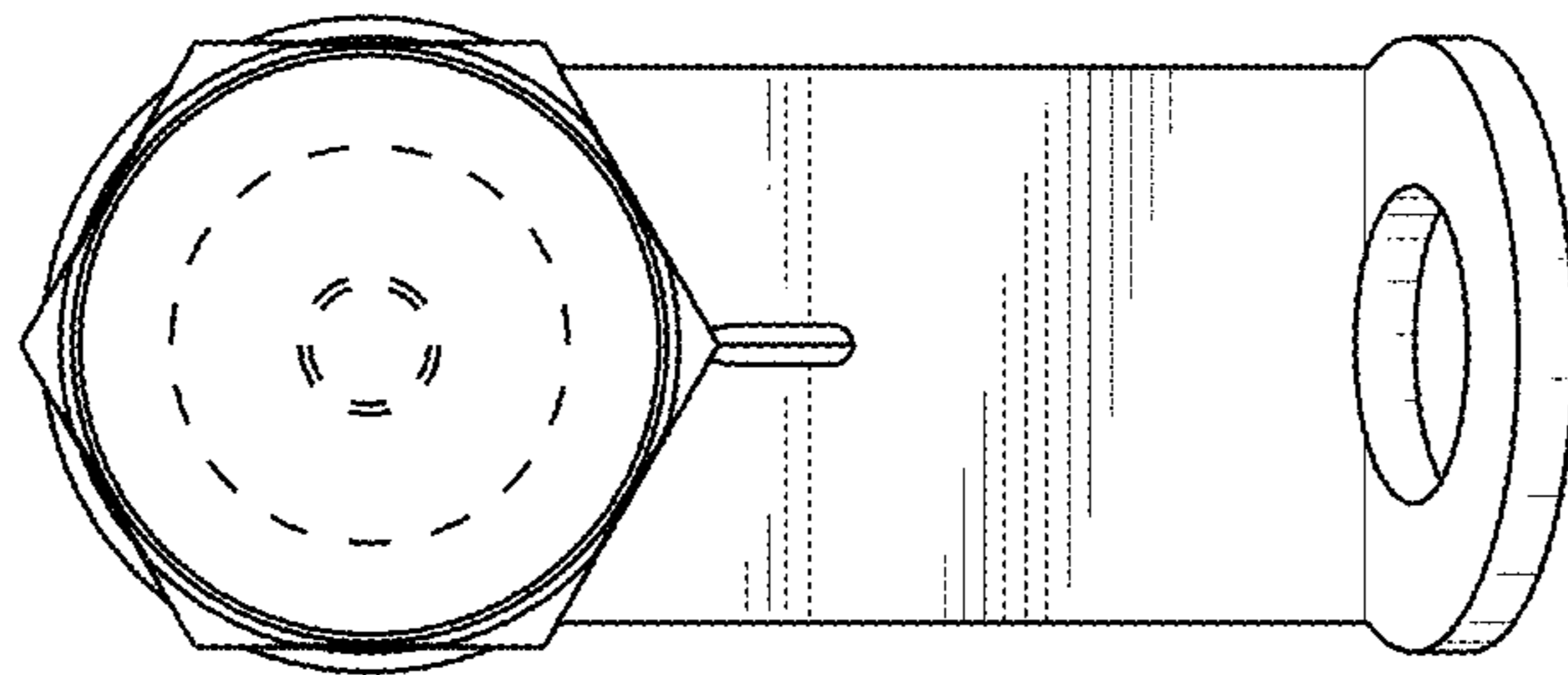


FIG. 7