



US00D944940S

(12) **United States Design Patent**
Charles

(10) **Patent No.:** **US D944,940 S**
(45) **Date of Patent:** **** Mar. 1, 2022**

(54) **CONNECTOR FOR A SANITIZING MACHINE**

(71) Applicant: **SoClean, Inc.**, Peterborough, NH (US)

(72) Inventor: **Robert A. Charles**, New Boston, NH (US)

(73) Assignee: **SOCLEAN, INC.**, Peterborough, NH (US)

(**) Term: **15 Years**

(21) Appl. No.: **29/725,769**

(22) Filed: **Feb. 27, 2020**

(51) **LOC (13) Cl.** **23-01**

(52) **U.S. Cl.**
USPC **D23/259**; D24/129

(58) **Field of Classification Search**
USPC D23/233, 249, 259, 262, 303, 363, 386,
D23/365; D24/108, 110, 110.5–110.6,
D24/127, 129, 217, 110.4, 112;
128/207.12–207.13, 207.16, 207.18;
285/319, 7, 9.2, 82, 93, 148.19,
285/148.21–148.2; D32/25; D8/382
CPC A61L 2209/134; F16L 2201/10
See application file for complete search history.

(56) **References Cited**

U.S. PATENT DOCUMENTS

- 5,392,775 A * 2/1995 Adkins, Jr. A61F 2/20
128/207.14
- 5,642,726 A * 7/1997 Owens A61M 16/0463
128/200.26
- 5,806,515 A * 9/1998 Bare A61F 2/203
128/207.15
- 6,253,766 B1 * 7/2001 Niles A61M 16/08
128/204.24
- D655,405 S * 3/2012 Winter D24/110.6

(Continued)

OTHER PUBLICATIONS

Resmed, VPAP III ST-A with QuickNav, Clinical Guide, 2008, 52 pages.

(Continued)

Primary Examiner — Amy C Wierenga

(74) *Attorney, Agent, or Firm* — Grossman, Tucker, Perrault & Pflieger, PLLC

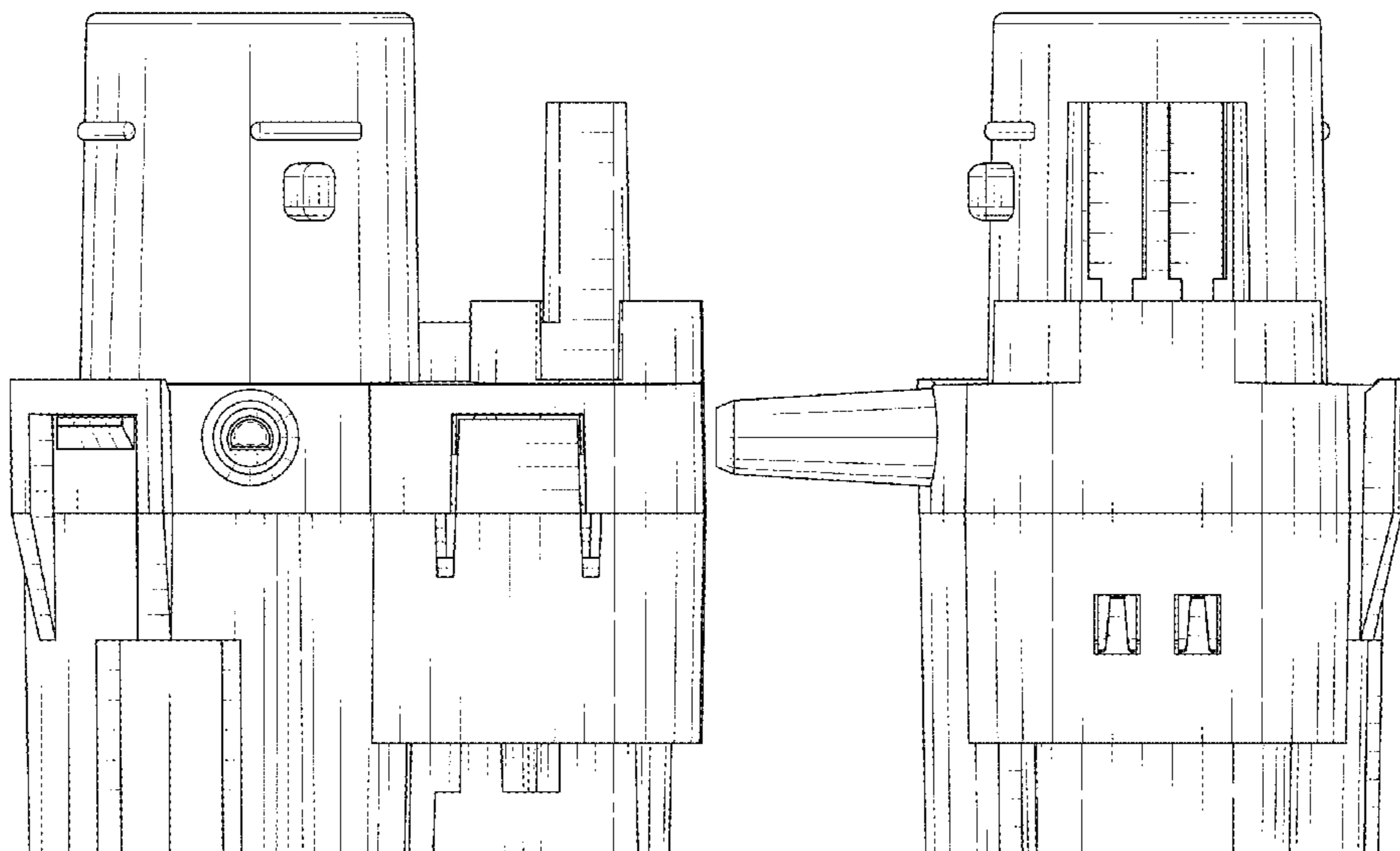
(57) **CLAIM**

The ornamental design for a connector for a sanitizing machine, as shown and described.

DESCRIPTION

FIG. 1 is a front view of a connector for a sanitizing machine, showing the new design;
 FIG. 2 is a rear view thereof;
 FIG. 3 is a left side view thereof;
 FIG. 4 is a right side view thereof;
 FIG. 5 is a bottom view thereof;
 FIG. 6 is a top view thereof;
 FIG. 7 is a front top perspective view thereof;
 FIG. 8 is a front bottom perspective view thereof;
 FIG. 9 is a front left top perspective view thereof;
 FIG. 10 is a front right top perspective view thereof;
 FIG. 11 is a front right bottom perspective view thereof;
 FIG. 12 is a front left bottom perspective view thereof;
 FIG. 13 is a right side top perspective view thereof;
 FIG. 14 is a right side bottom perspective view thereof;
 FIG. 15 is a rear top perspective view thereof;
 FIG. 16 is a rear top right perspective view thereof;
 FIG. 17 is a rear top left perspective view thereof;
 FIG. 18 is a rear bottom perspective view thereof;
 FIG. 19 is a rear bottom left perspective view thereof; and,
 FIG. 20 is a rear bottom right perspective view thereof.
 Broken lines in the figures show portions of the connector for a sanitizing machine that form no part of the claimed design.

1 Claim, 10 Drawing Sheets



(56)

References Cited

U.S. PATENT DOCUMENTS

D695,890 S * 12/2013 Bowden D24/110.6
8,770,198 B2 7/2014 Yee et al.
D731,049 S * 6/2015 Winter D24/110
D856,510 S * 8/2019 Scheirlinck D24/110.4
D876,617 S * 2/2020 Scheirlinck D24/110.4
2009/0260629 A1* 10/2009 Yee A61M 16/127
128/204.18
2014/0338669 A1* 11/2014 Zhao A61M 16/085
128/204.18
2015/0320962 A1* 11/2015 Bafle A61M 16/0638
128/204.18
2019/0321617 A1* 10/2019 Gulliver A61M 39/1011

OTHER PUBLICATIONS

Resmed LTD, VPAPTM IV and VPAP IVTM ST, Product Training,
Jun. 2008, 27 pages.
Design U.S. Appl. No. 29/725,774, filed Feb. 27, 2020.

* cited by examiner

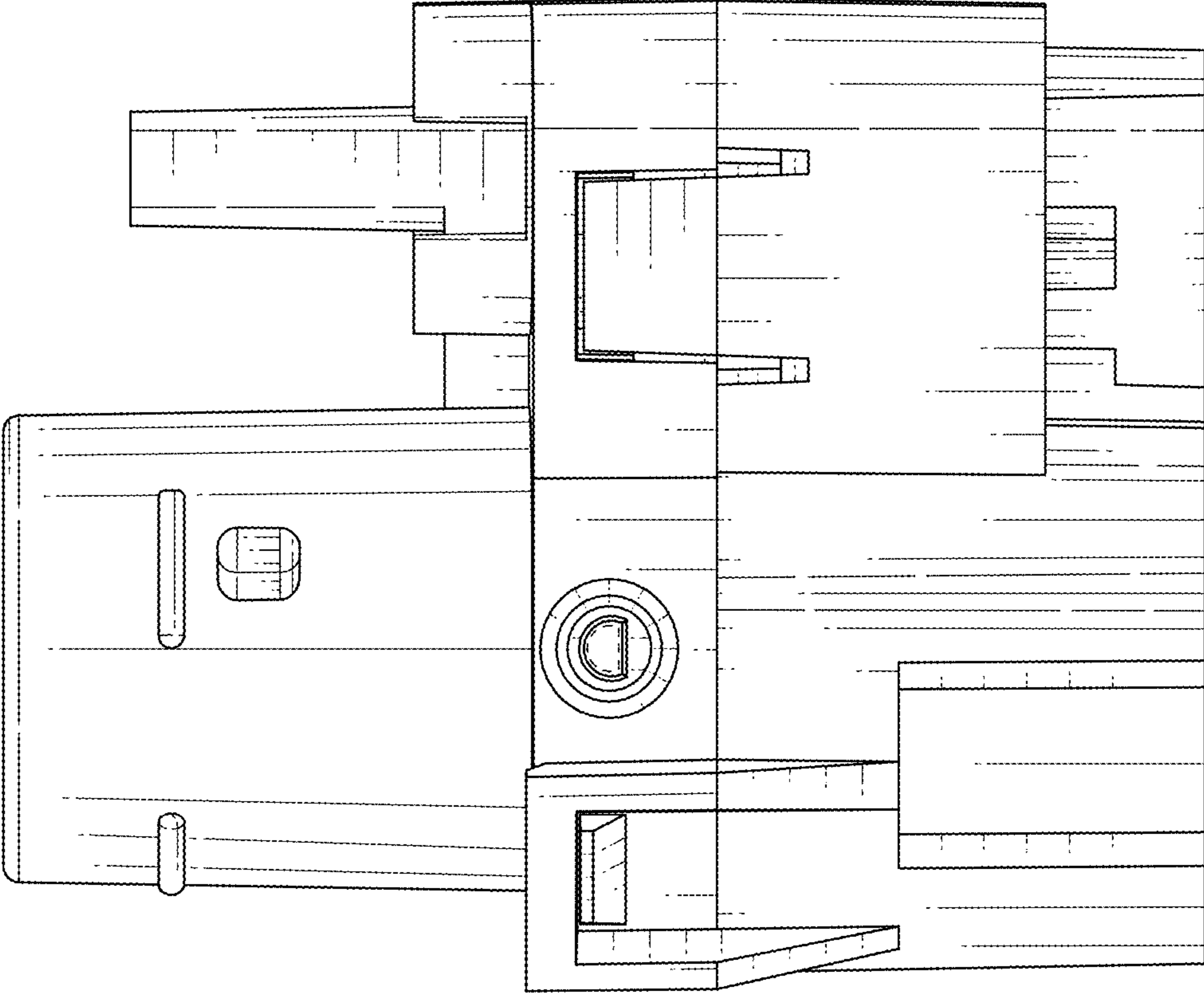


FIG. 2

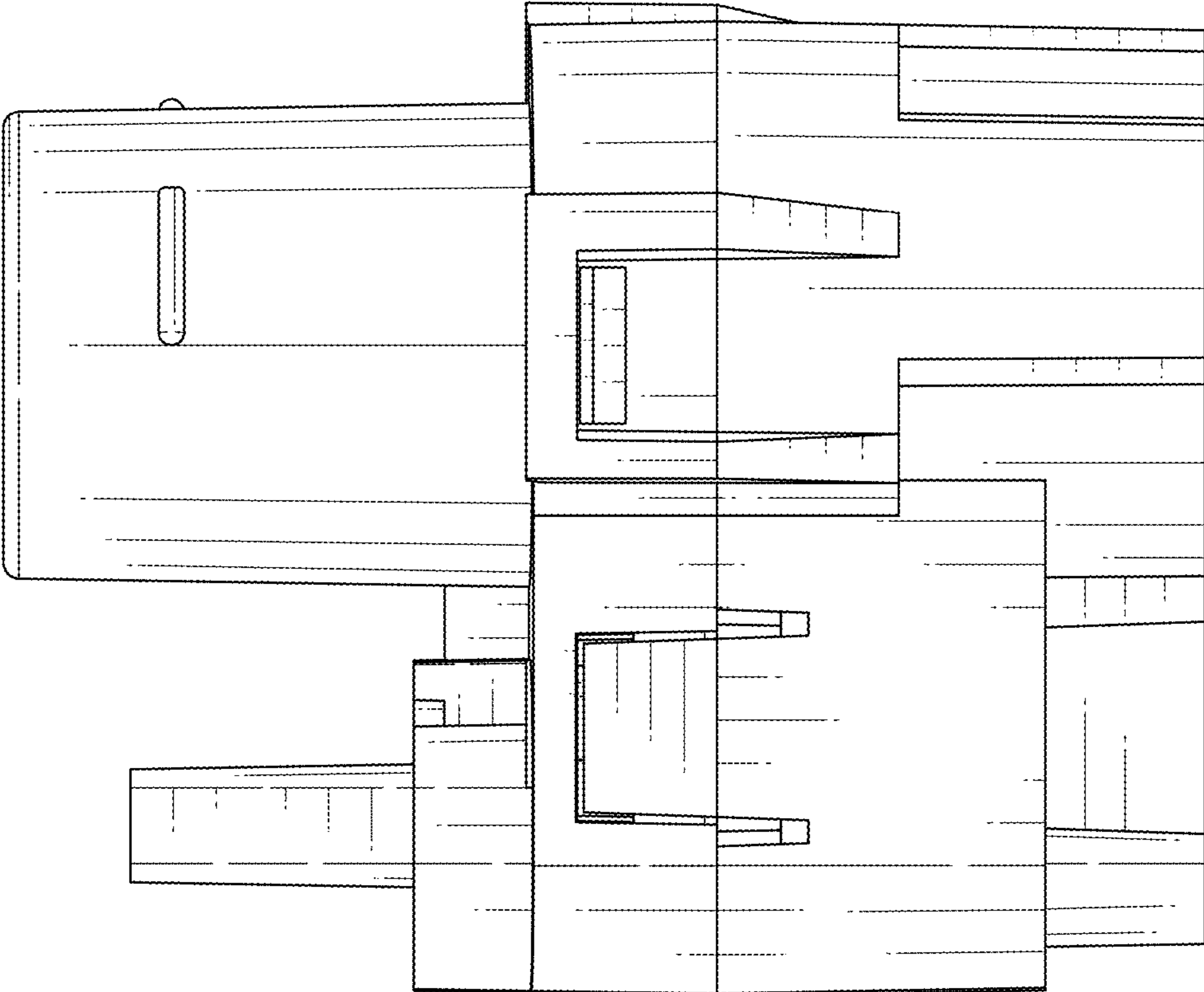


FIG. 1

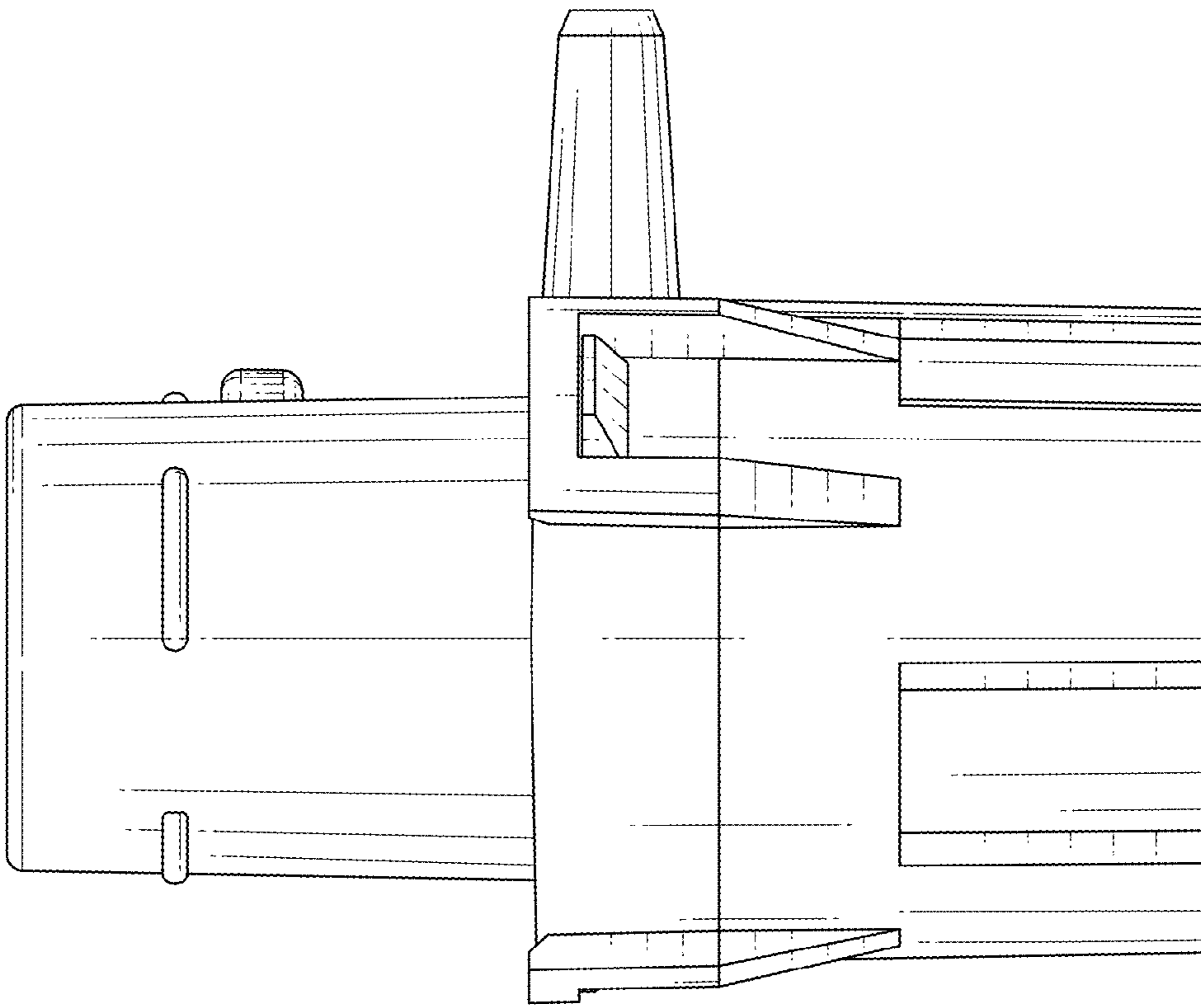


FIG. 4

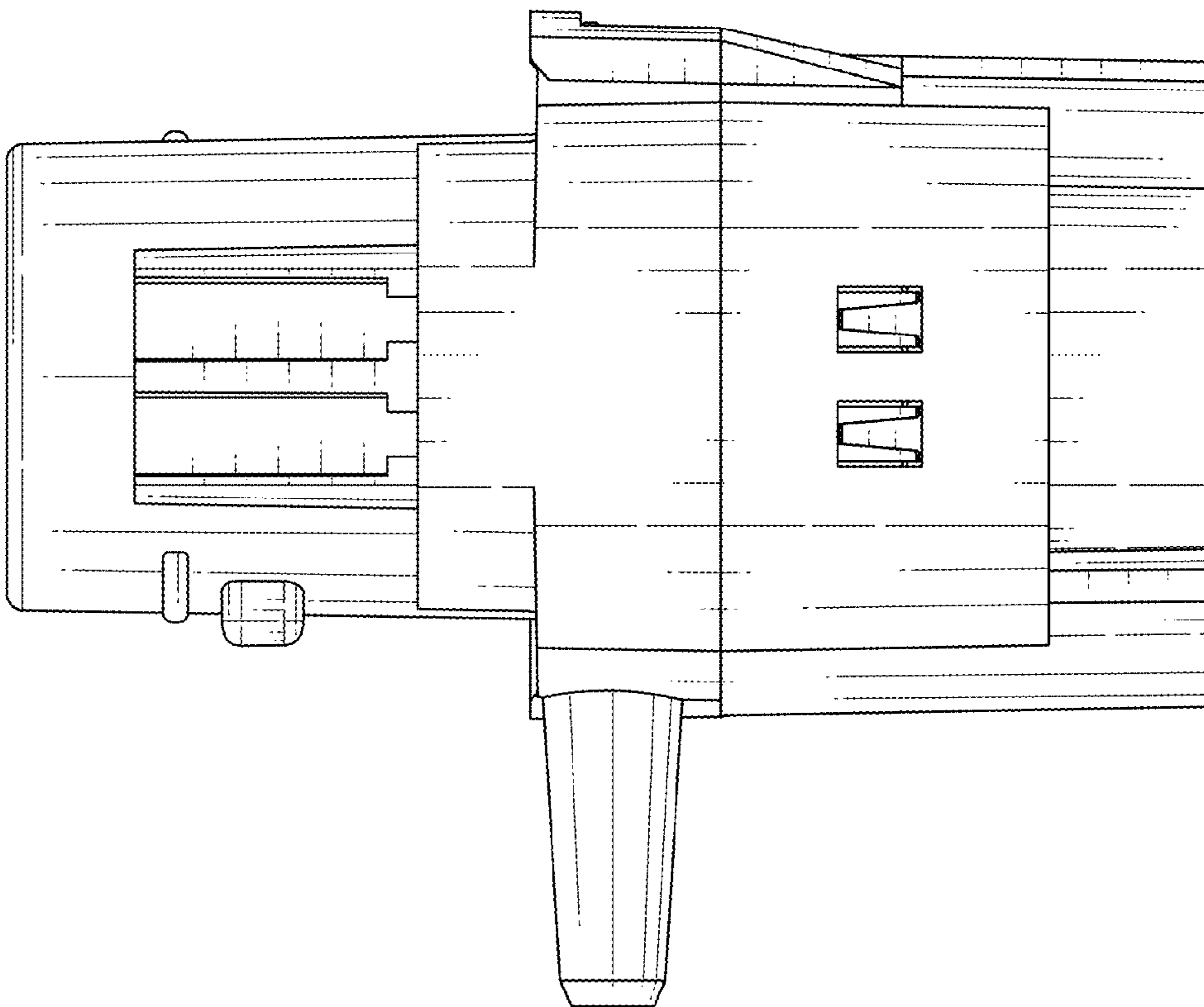


FIG. 3

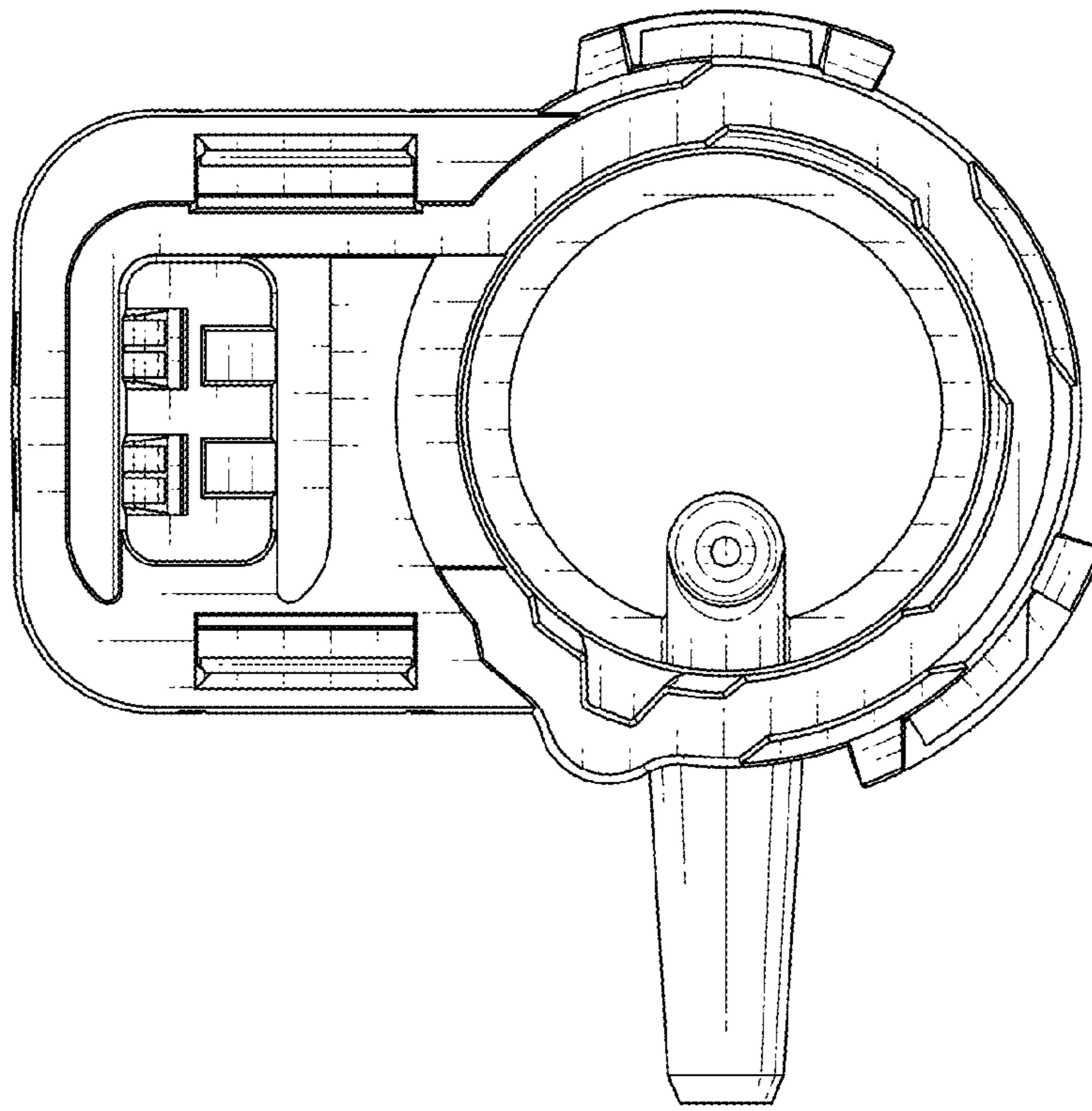


FIG. 5

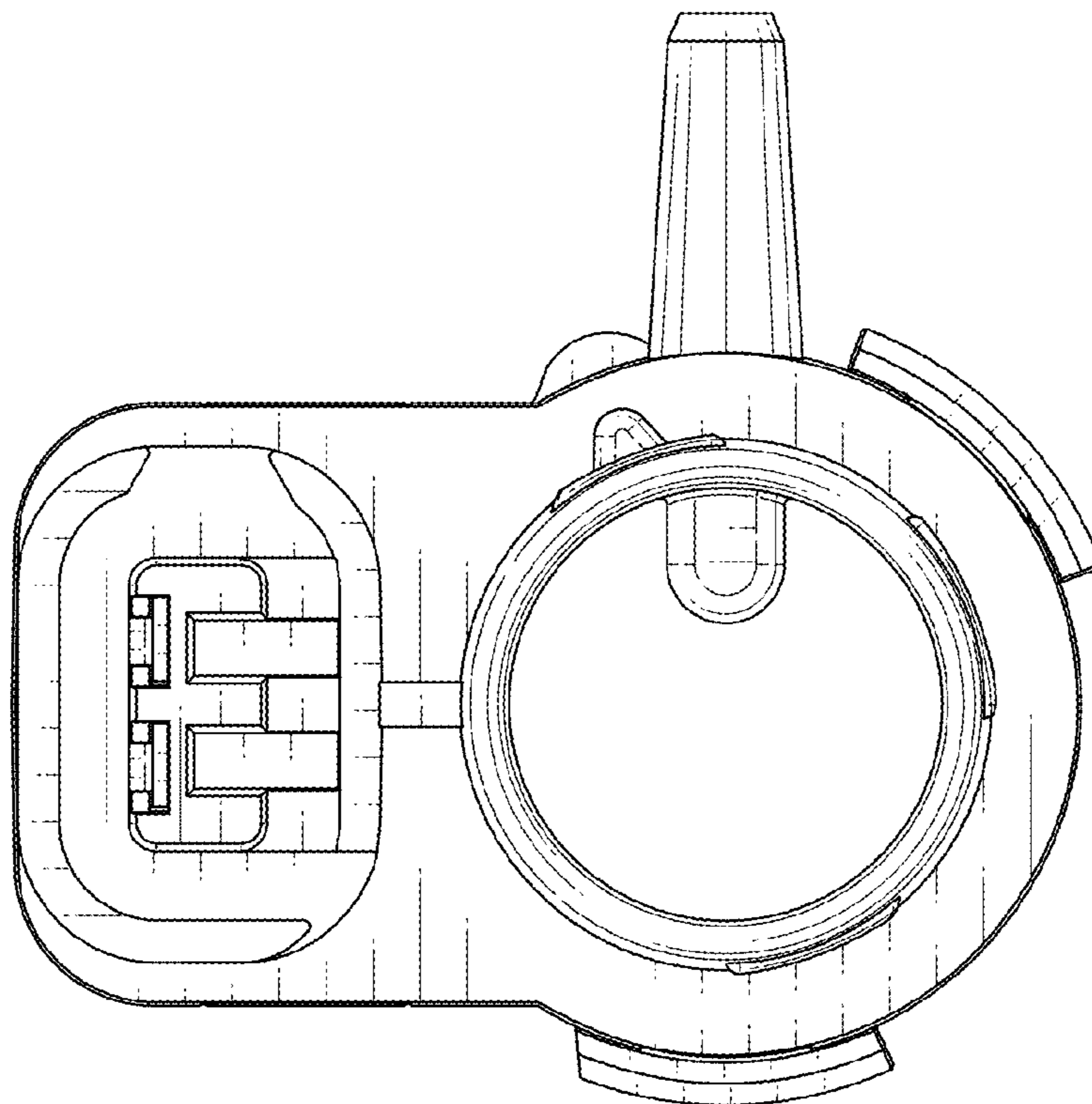


FIG. 6

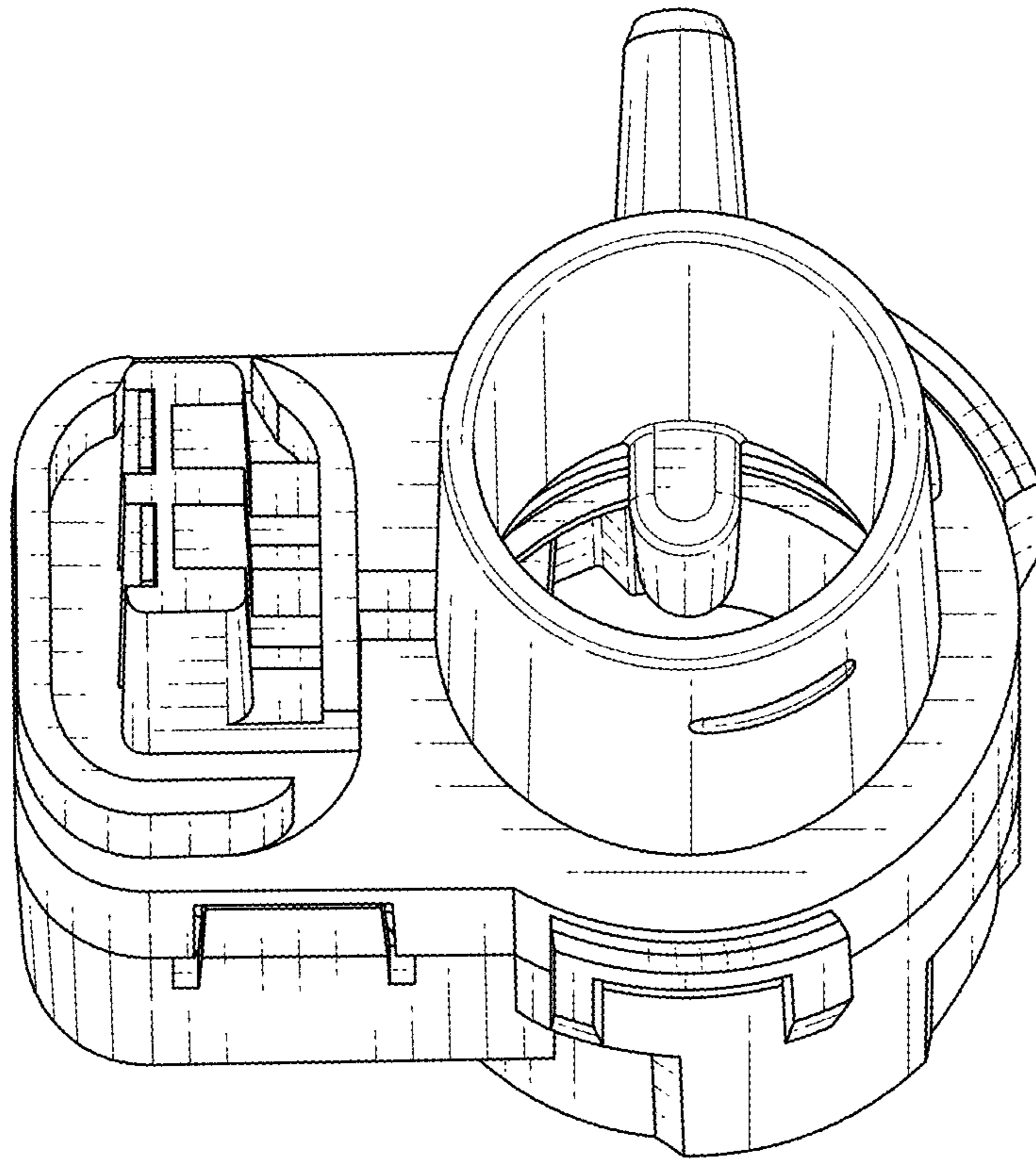


FIG. 7

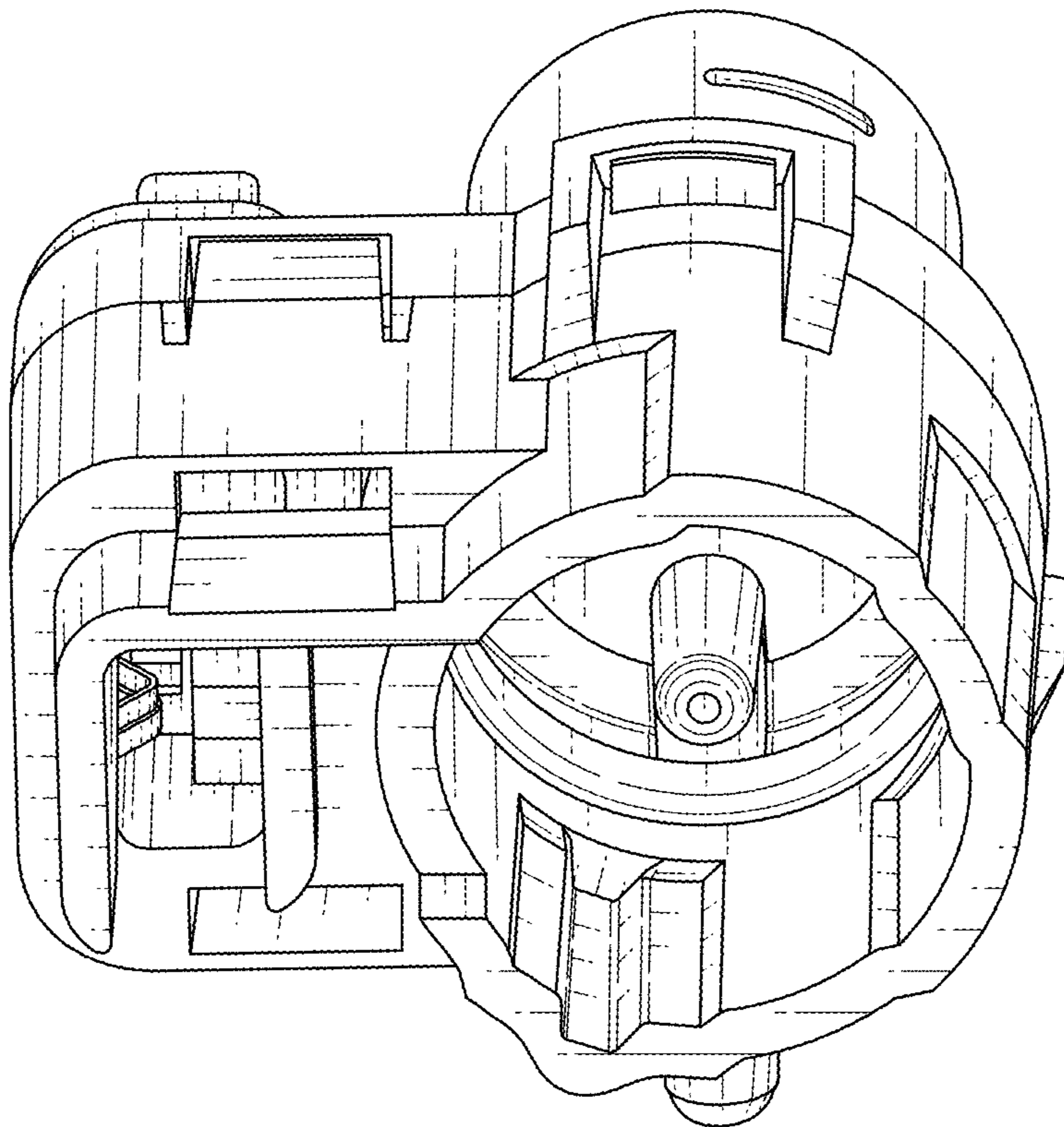


FIG. 8

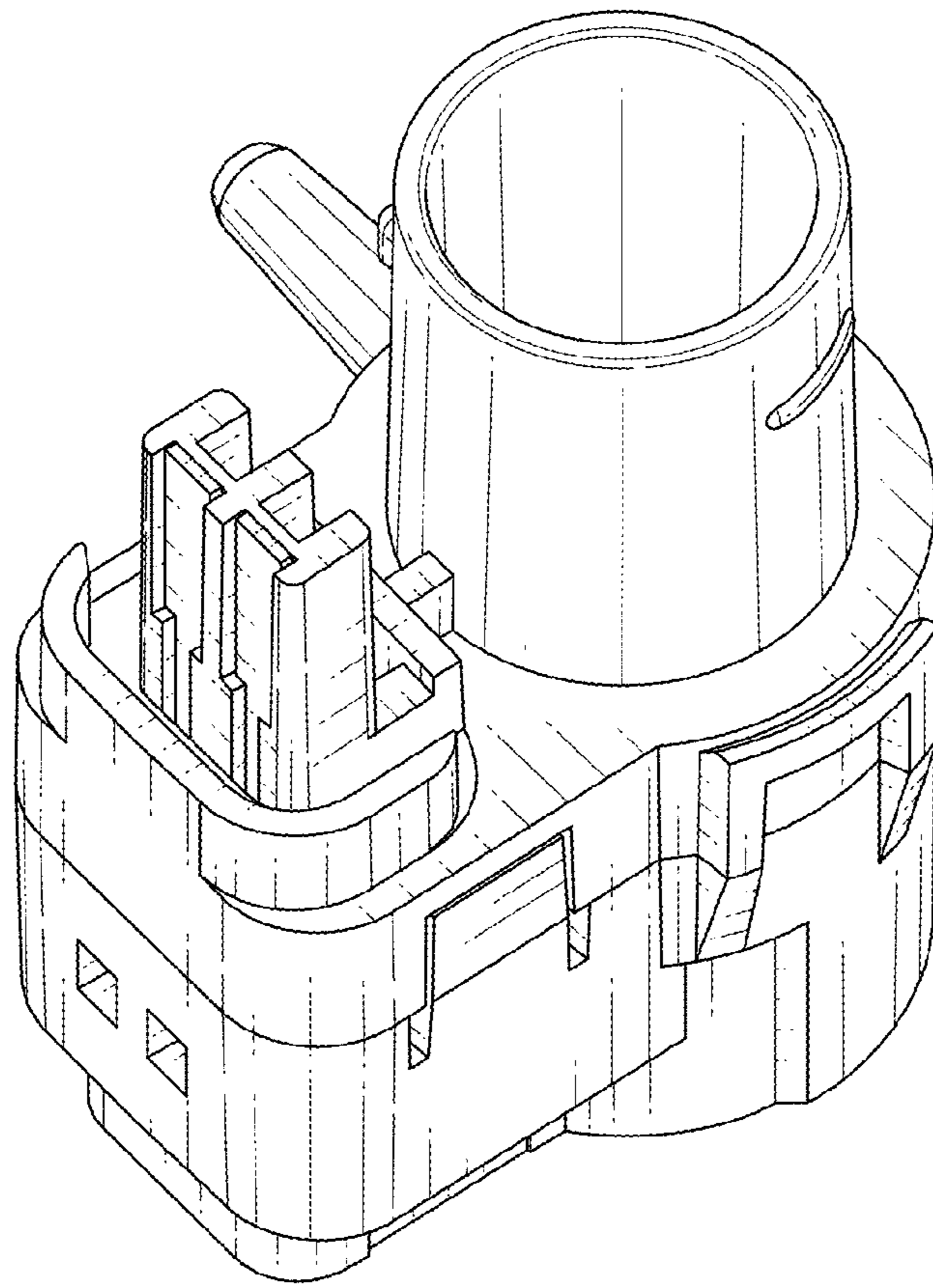


FIG. 9

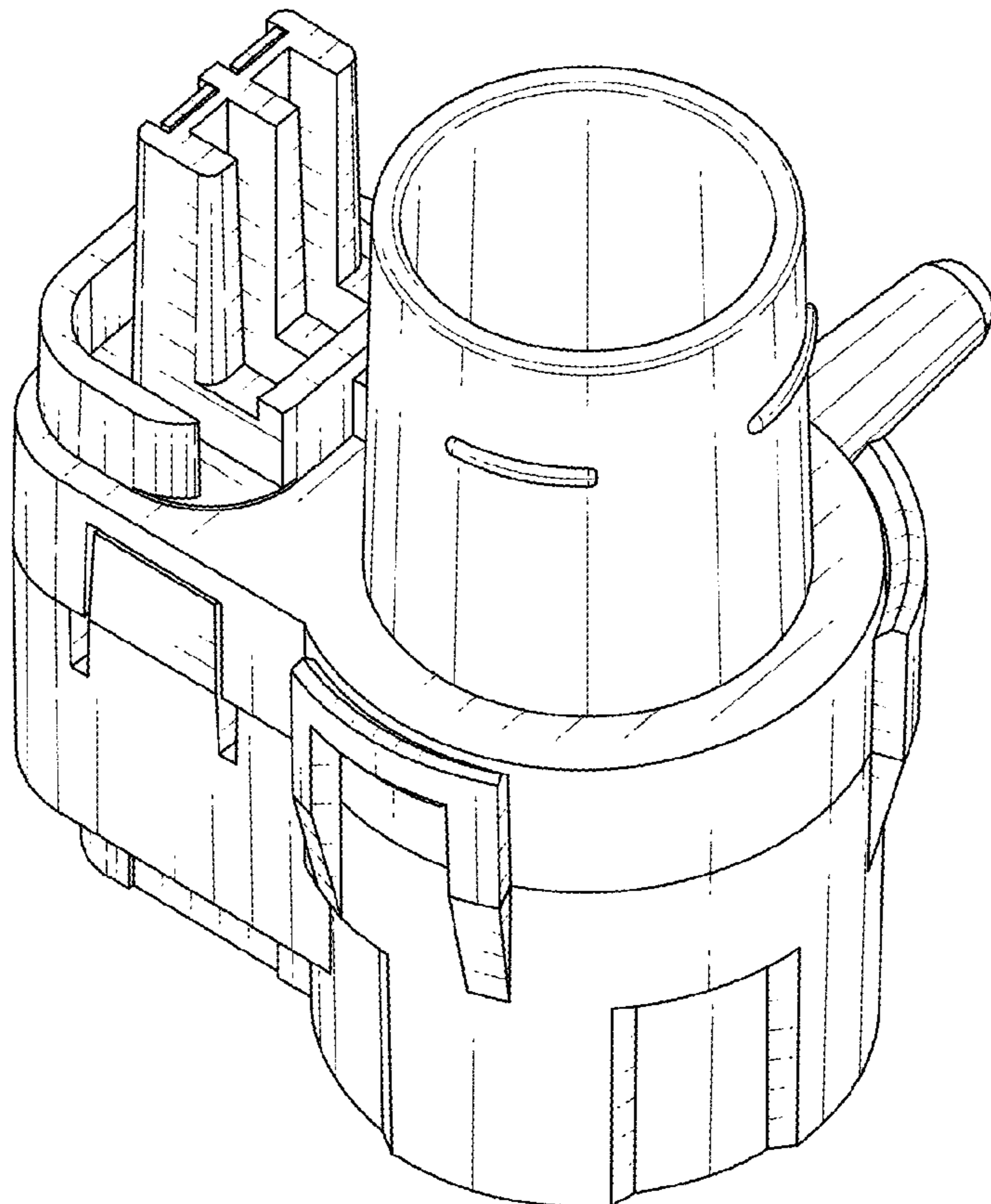


FIG. 10

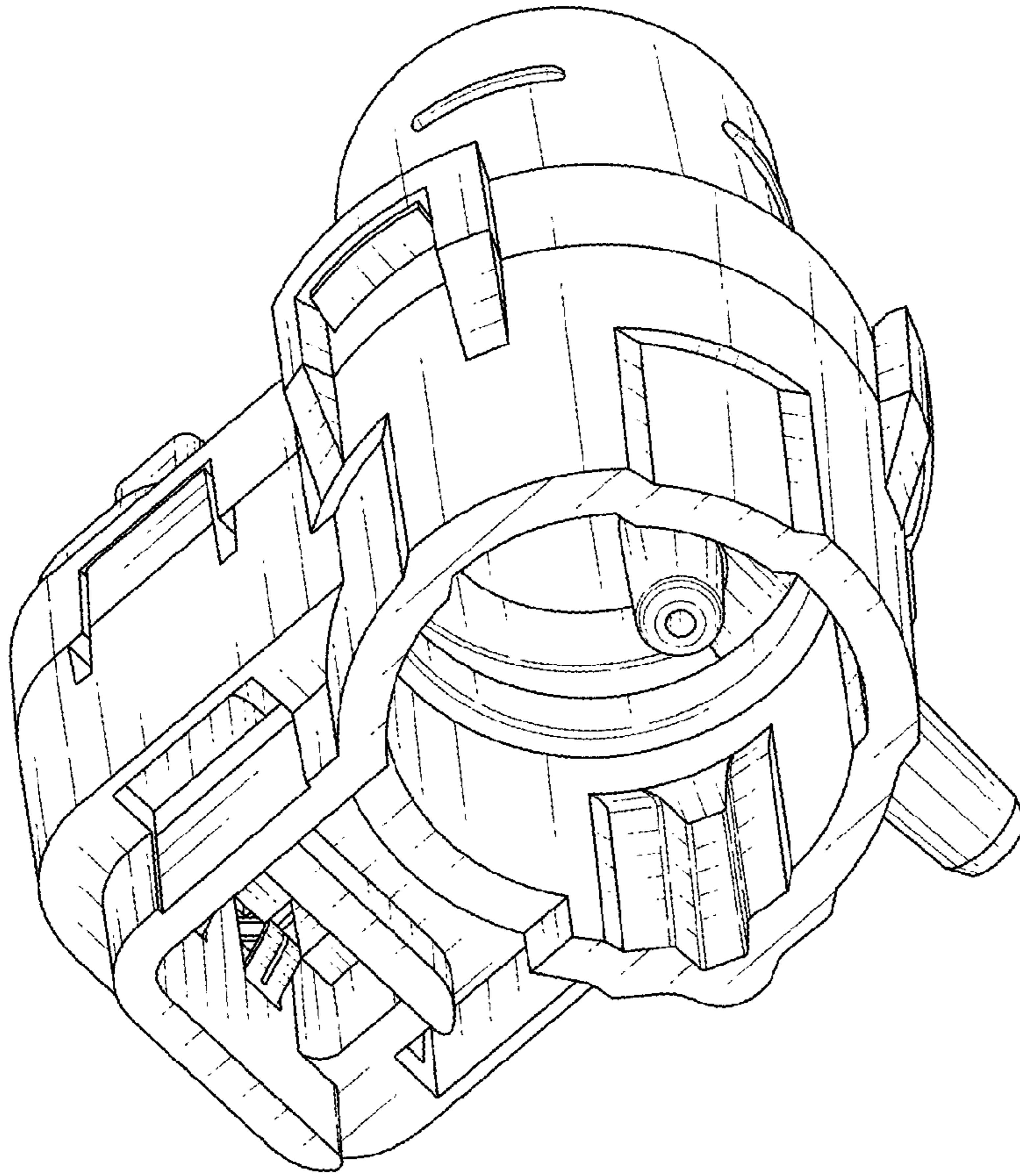


FIG. 11

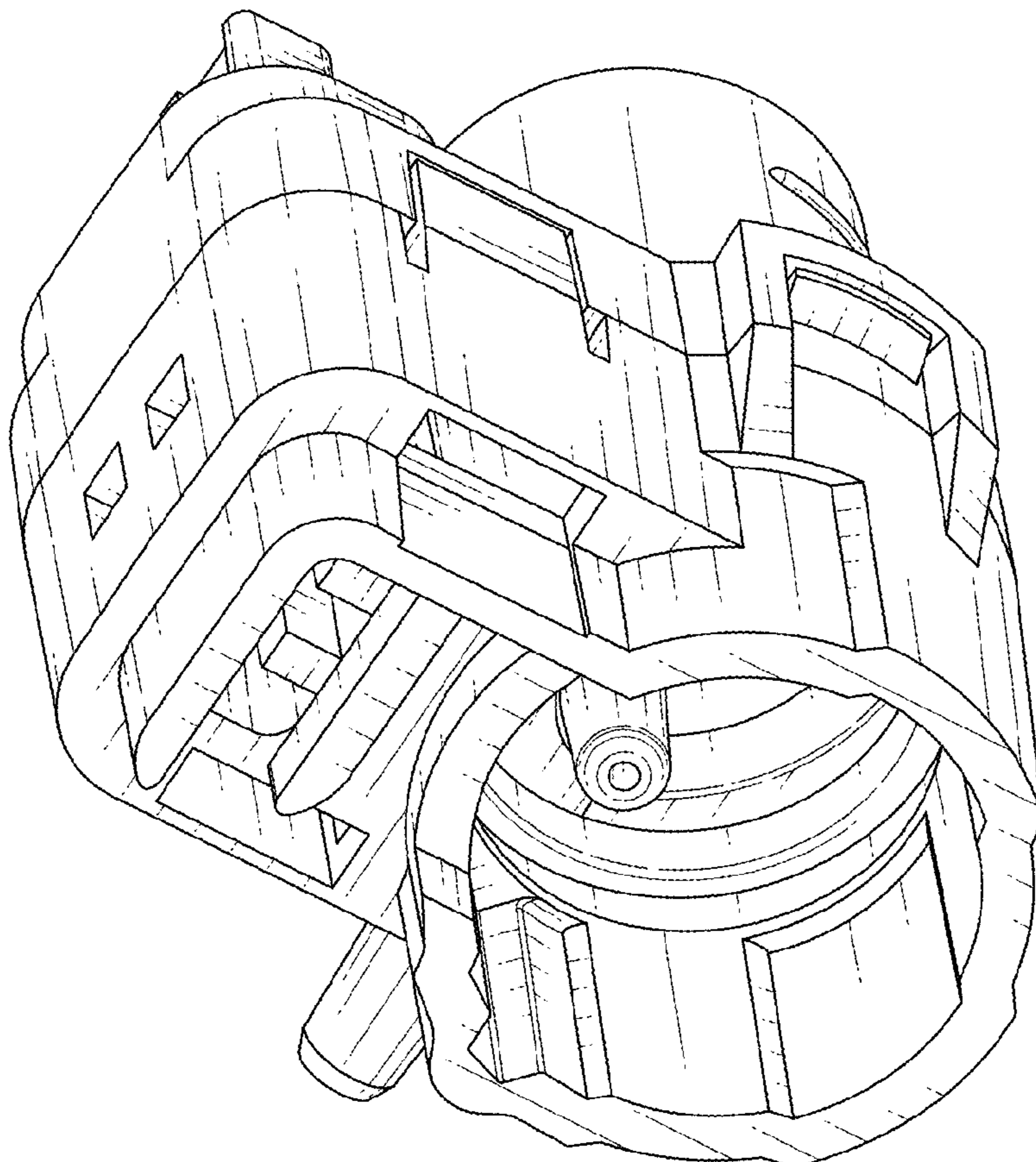


FIG. 12

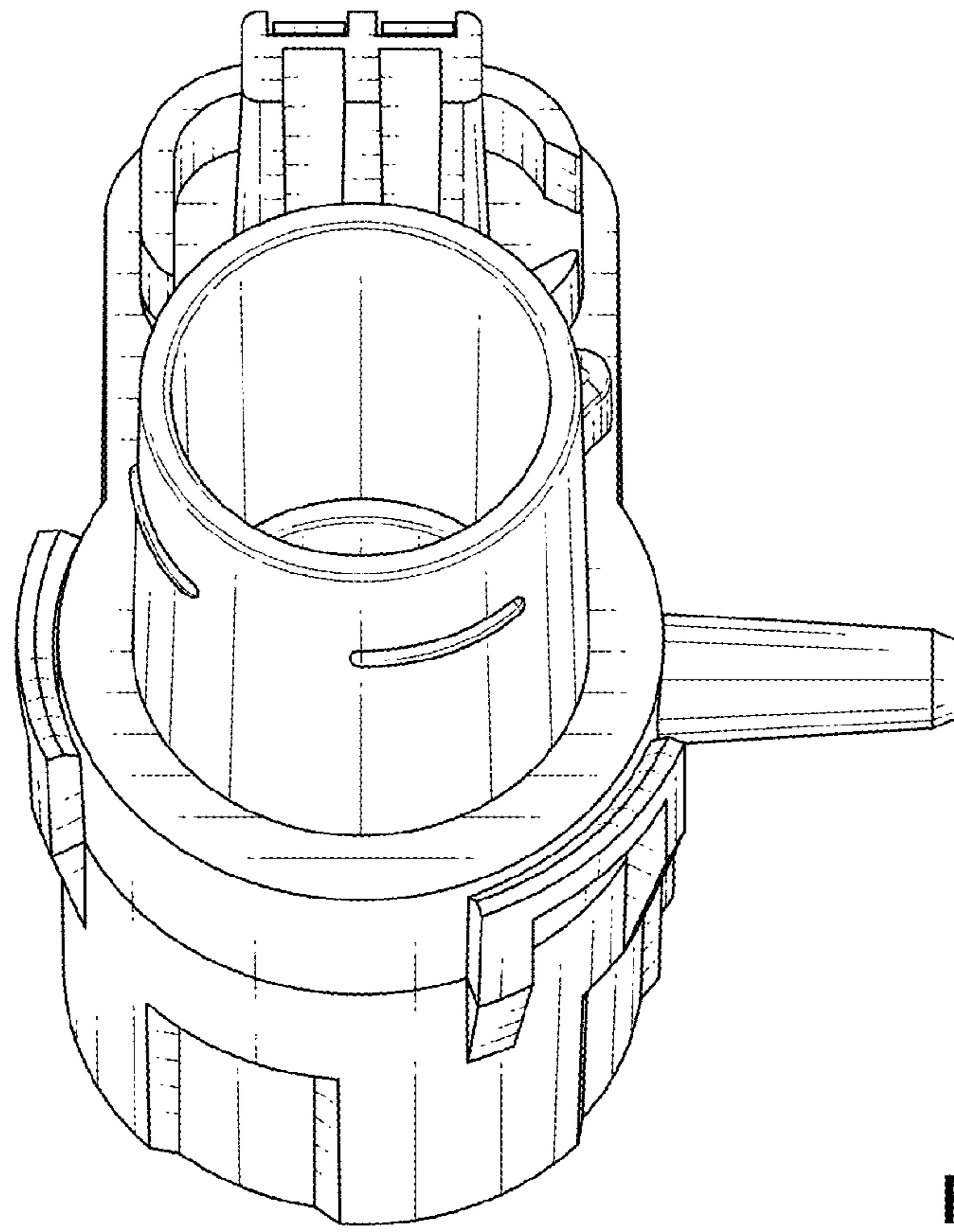


FIG. 13

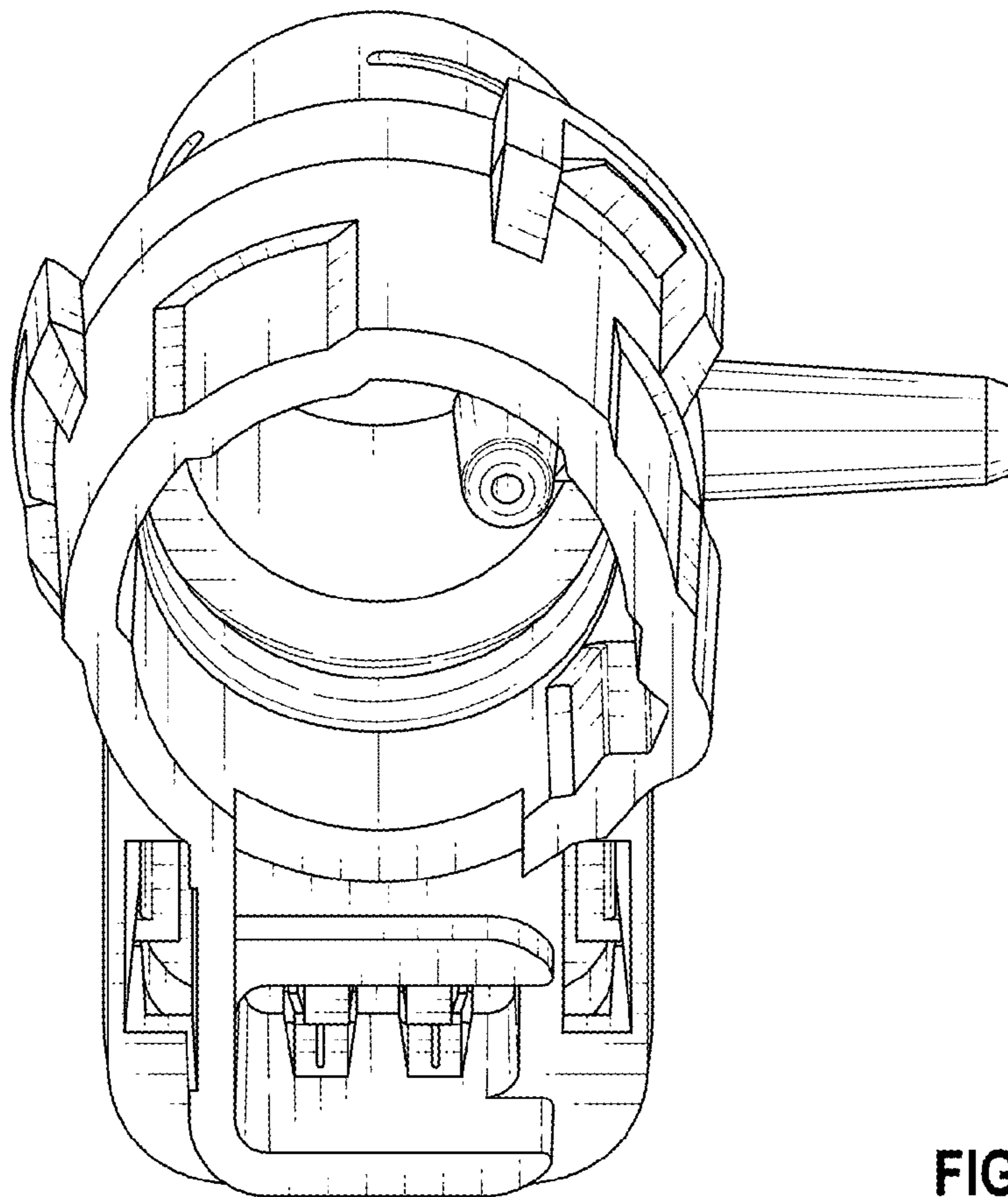


FIG. 14

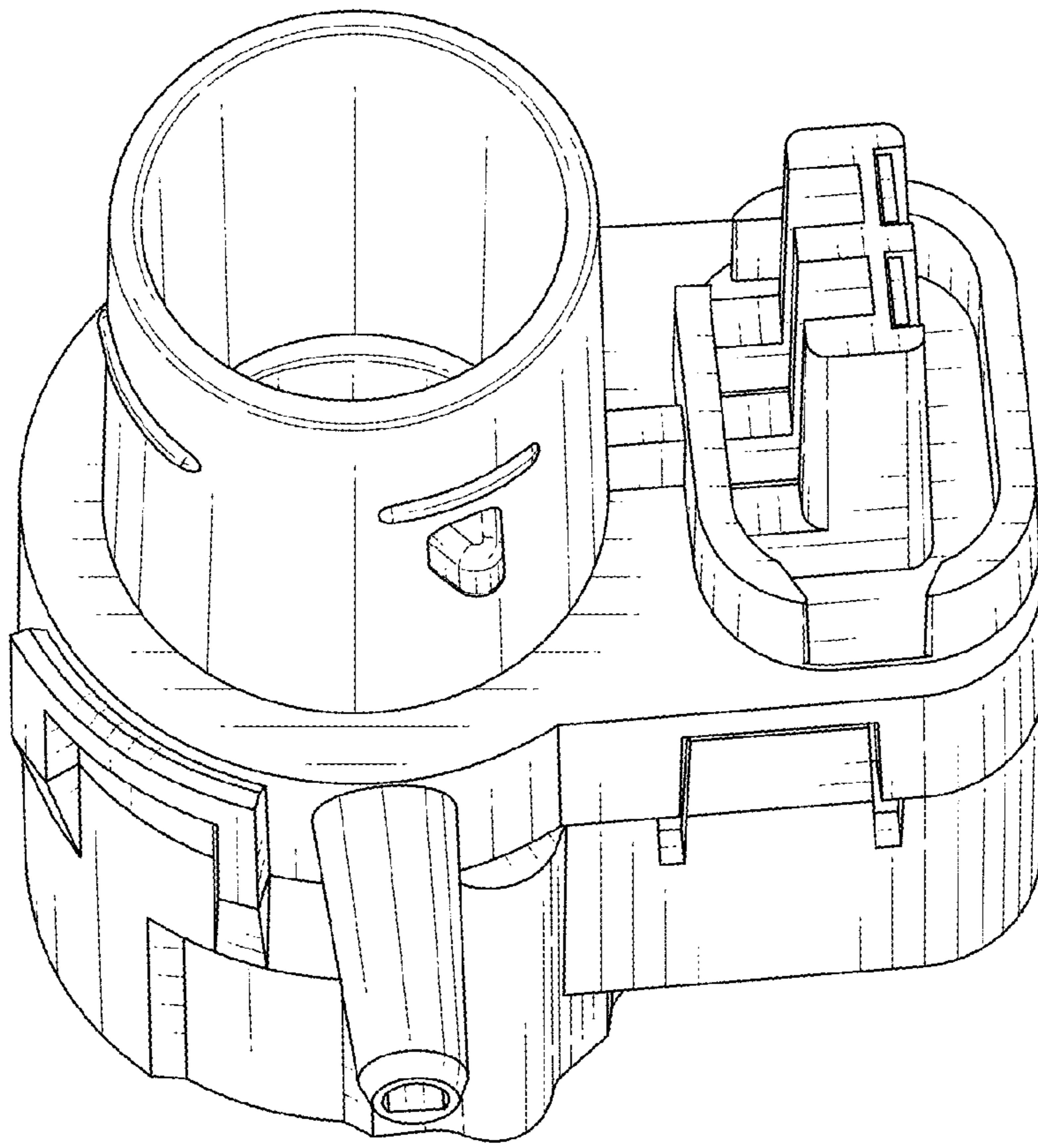


FIG. 15

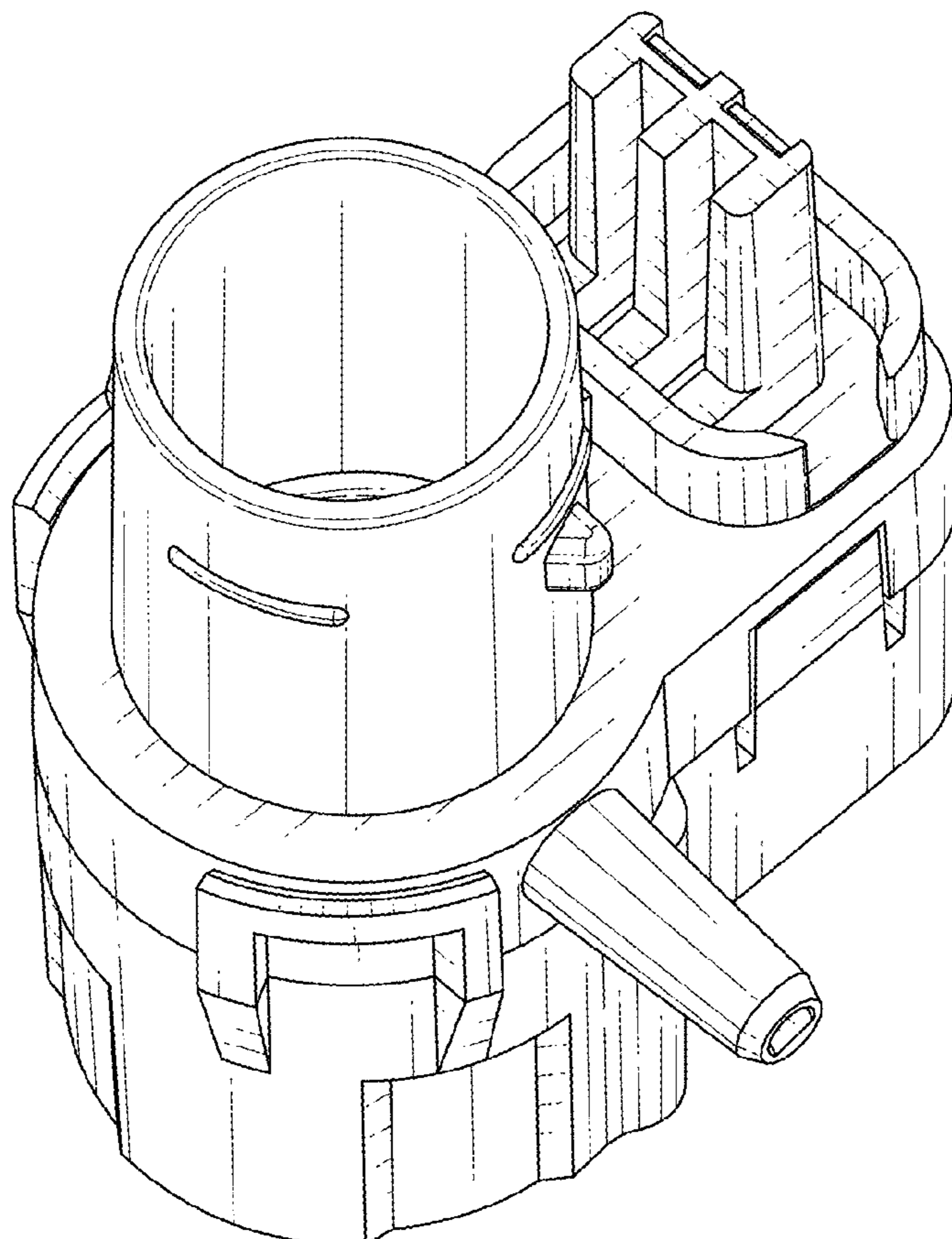


FIG. 16

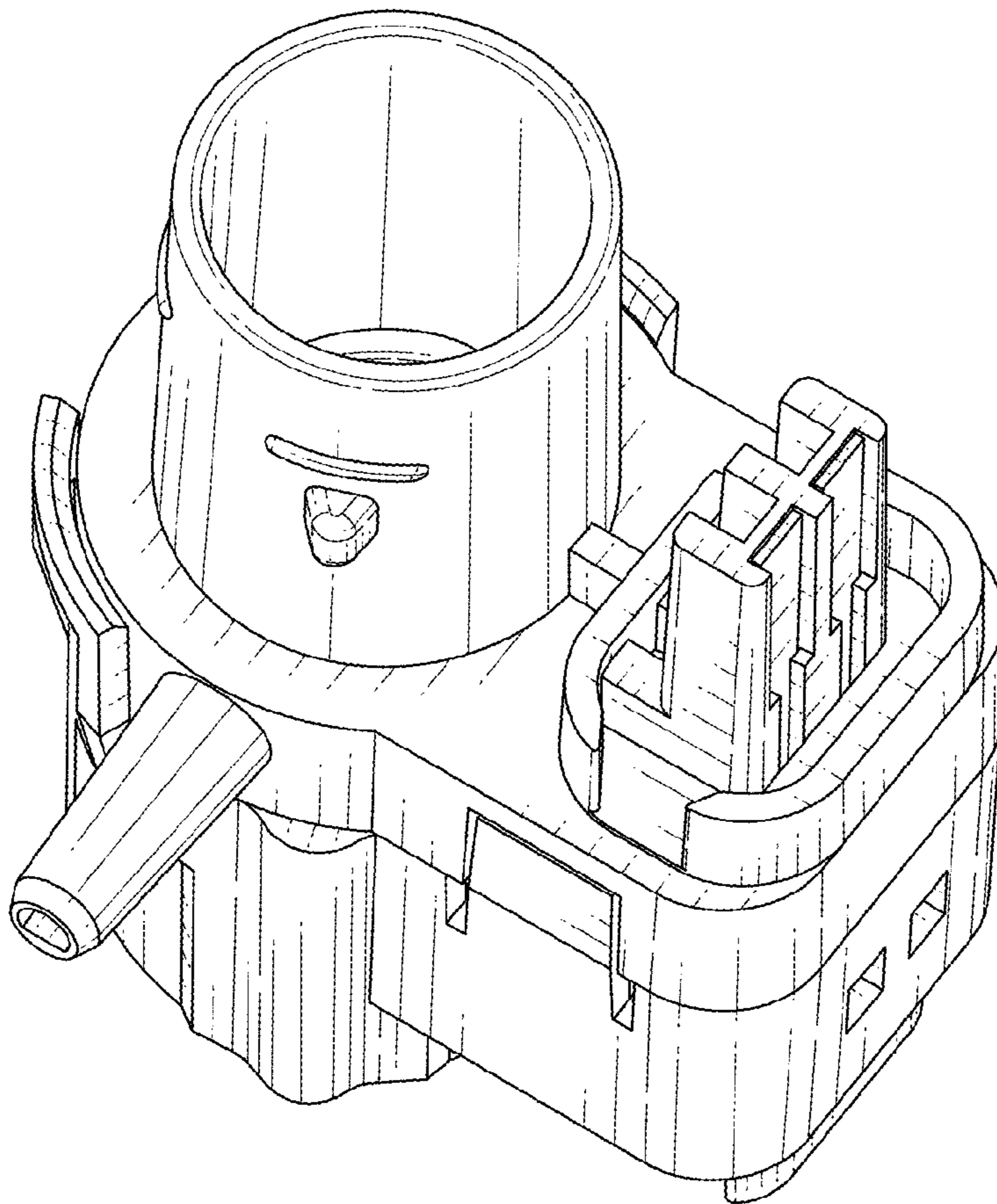


FIG. 17

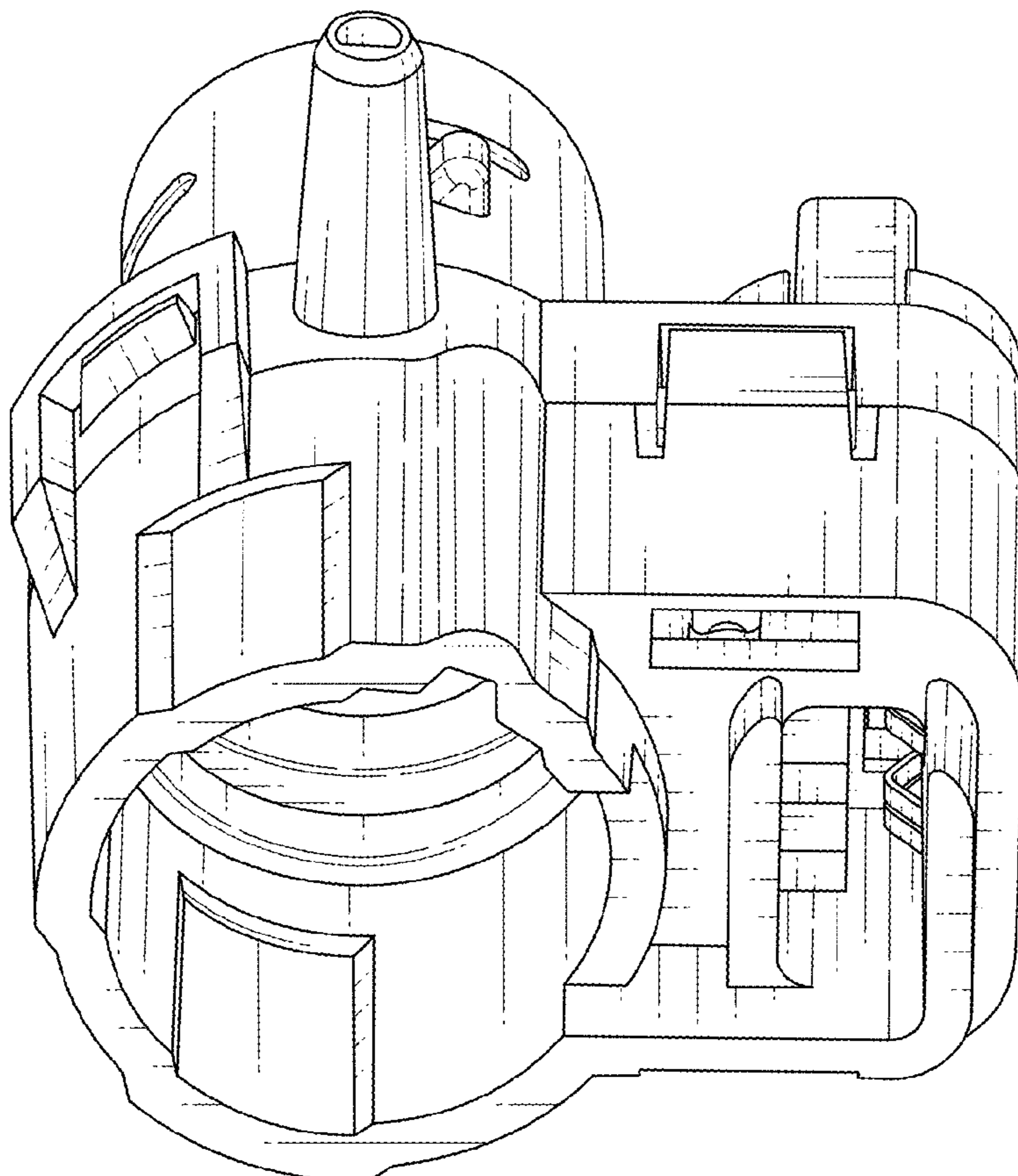


FIG. 18

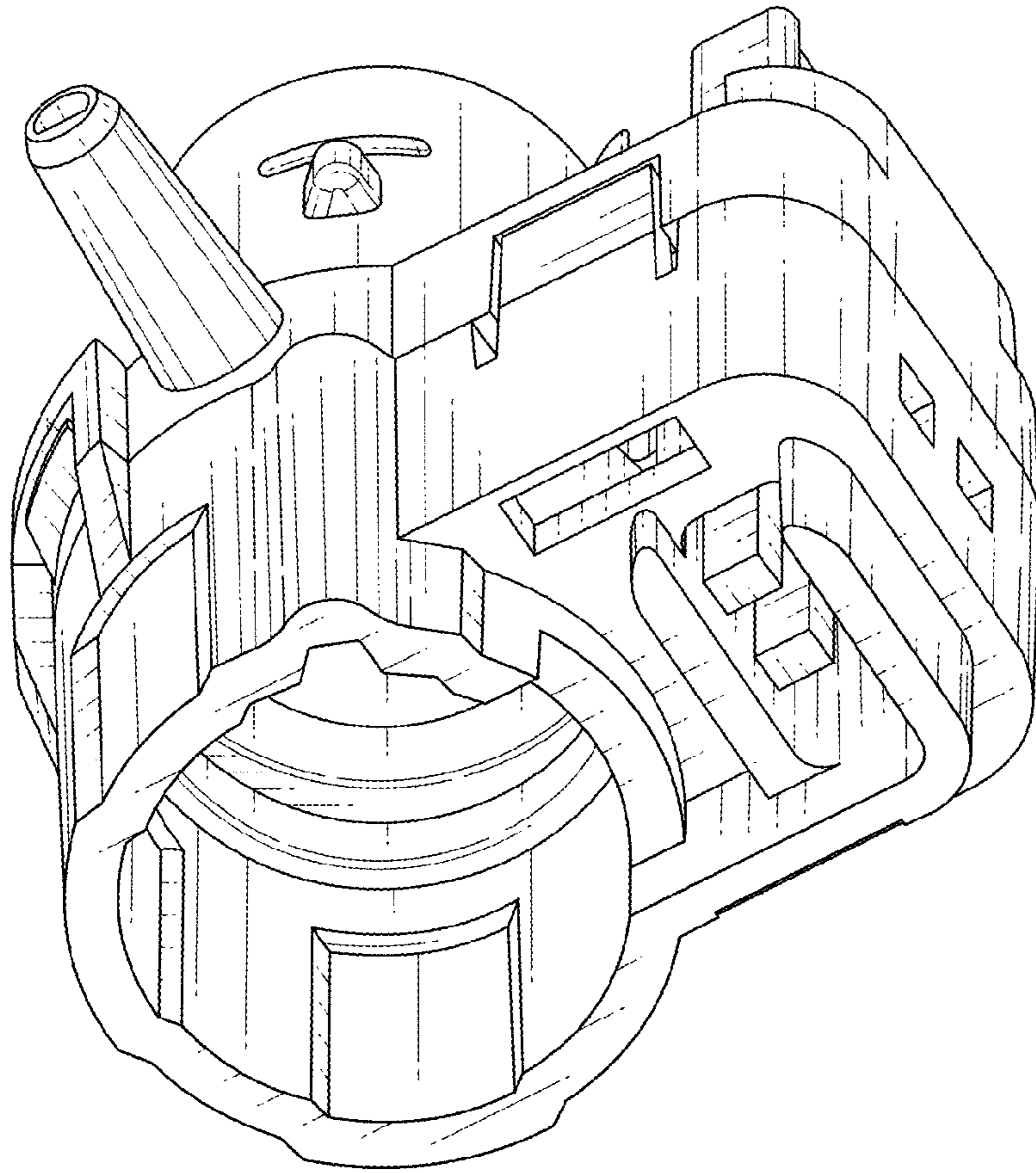


FIG. 19

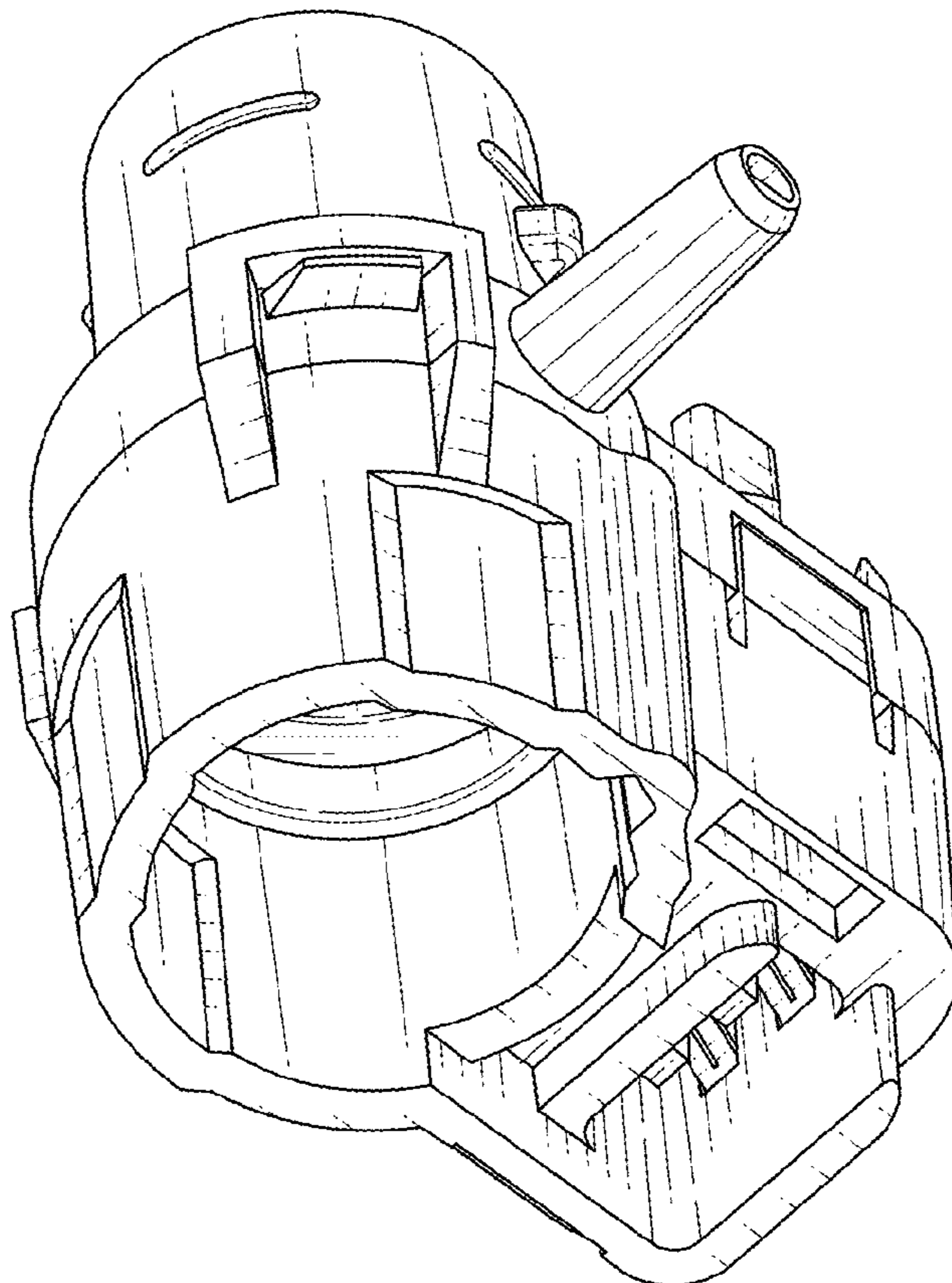


FIG. 20