



US00D944939S

(12) **United States Design Patent**
Chaves

(10) **Patent No.:** **US D944,939 S**

(45) **Date of Patent:** **** Mar. 1, 2022**

(54) **CONNECTOR FOR A SANITIZING MACHINE**

(71) Applicant: **SoClean, Inc.**, Peterborough, NH (US)

(72) Inventor: **Alex Chaves**, Hudson, NH (US)

(73) Assignee: **SOCLEAN, INC.**, Peterborough, NH (US)

(**) Term: **15 Years**

(21) Appl. No.: **29/725,727**

(22) Filed: **Feb. 26, 2020**

(51) **LOC (13) Cl.** **23-01**

(52) **U.S. Cl.**

USPC **D23/259**; D24/129

(58) **Field of Classification Search**

USPC D23/233, 249, 259, 262, 303, 363, 386,
D23/365; D24/108, 110, 110.5–110.6,
D24/127, 129, 217, 110.4, 112;
128/207.12–207.13, 207.16, 207.18;
285/319, 7, 9.2, 82, 93, 148.19,
285/148.21–148.2; D32/25; D8/382

CPC A61L 2209/134; F16L 2201/10

See application file for complete search history.

(56) **References Cited**

U.S. PATENT DOCUMENTS

3,172,406	A *	3/1965	Bird	A61M 11/002	128/200.21
D238,712	S *	2/1976	Gray	D24/110	
5,392,775	A *	2/1995	Adkins, Jr.	A61F 2/20	128/207.14
5,642,726	A *	7/1997	Owens	A61M 16/0463	128/200.26
5,806,515	A *	9/1998	Bare	A61F 2/203	128/207.15
8,770,198	B2	7/2014	Yee et al.			
9,974,917	B2 *	5/2018	Bafle	A61M 16/0875	
D856,510	S *	8/2019	Scheirlinck	D24/110.4	

D876,617	S *	2/2020	Scheirlinck	D24/110.4	
2009/0260629	A1 *	10/2009	Yee	A61M 16/127	128/204.18
2014/0338669	A1 *	11/2014	Zhao	A61M 16/085	128/204.18
2015/0320962	A1 *	11/2015	Bafle	A61M 16/0638	128/204.18
2016/0082218	A1 *	3/2016	Lau	A61M 16/0672	128/202.27

(Continued)

OTHER PUBLICATIONS

RESMED, VPAP III ST-A with QuickNav, Clinical Guide, 2008, 52 pages.

(Continued)

Primary Examiner — Amy C Wierenga

(74) *Attorney, Agent, or Firm* — Grossman, Tucker, Perrault & Pflieger, PLLC

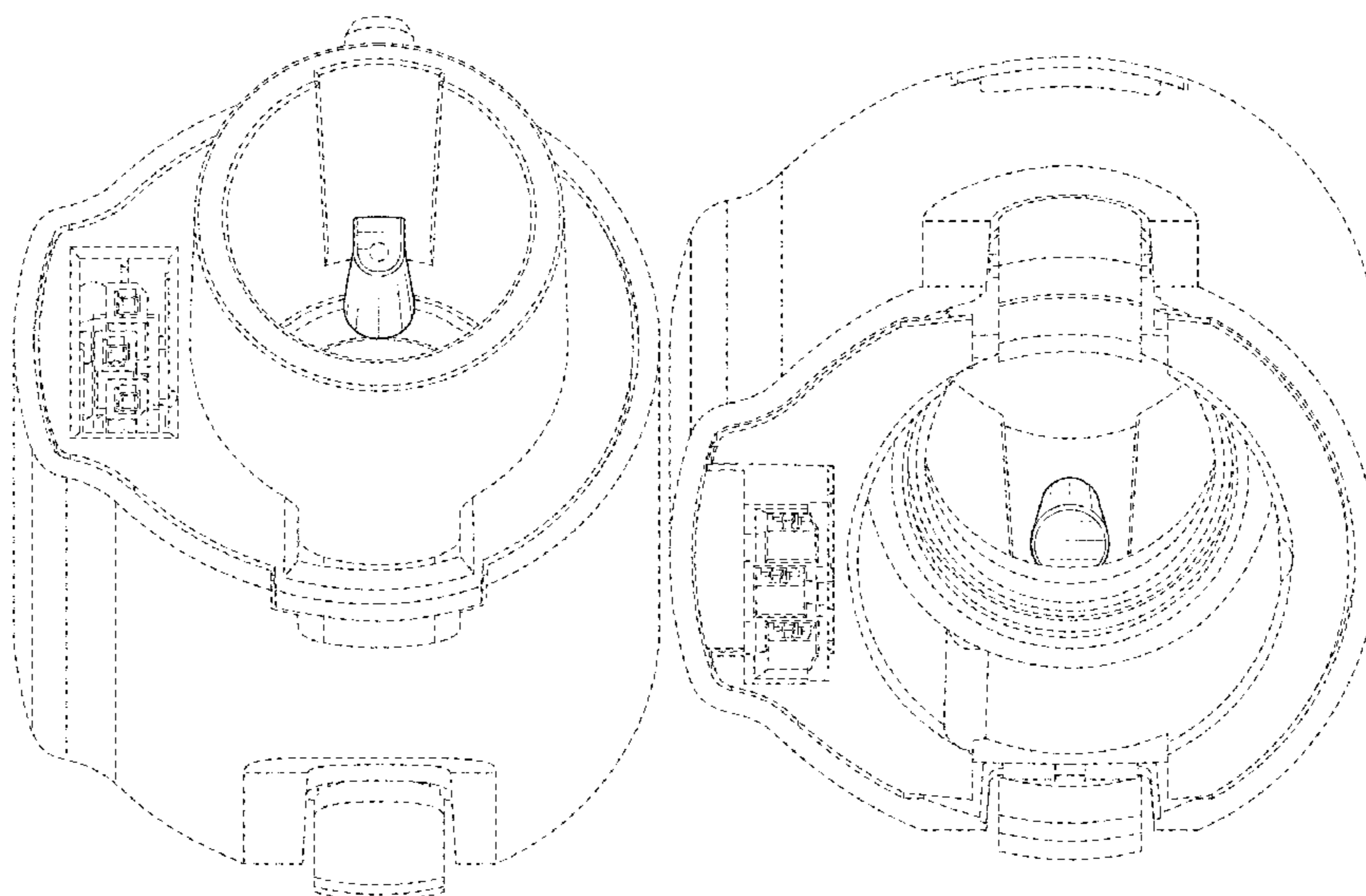
(57) **CLAIM**

The ornamental design for a connector for a sanitizing machine, as shown and described.

DESCRIPTION

FIG. 1 is a bottom view of a connector for a sanitizing machine, showing the new design; FIG. 2 is a top view thereof; FIG. 3 is a front top perspective view thereof; FIG. 4 is a front bottom perspective view thereof; FIG. 5 is a front left top perspective view thereof; FIG. 6 is a front right top perspective view thereof; FIG. 7 is a front right bottom perspective view thereof; FIG. 8 is a front left bottom perspective view thereof; FIG. 9 is a right side top perspective view thereof; and, FIG. 10 is a right side bottom perspective view thereof. The broken lines in the figures show portions of the connector for a sanitizing machine that form no part of the claimed design.

1 Claim, 5 Drawing Sheets



(56)

References Cited

U.S. PATENT DOCUMENTS

2019/0321617 A1* 10/2019 Gulliver A61M 39/1011

OTHER PUBLICATIONS

RESMED Ltd, VPAPTM IV and VPAPTM IV ST, Product Training,
Jun. 2008, 27 pages.
Design U.S. Appl. No. 29/725,728, filed Feb. 26, 2020.

* cited by examiner

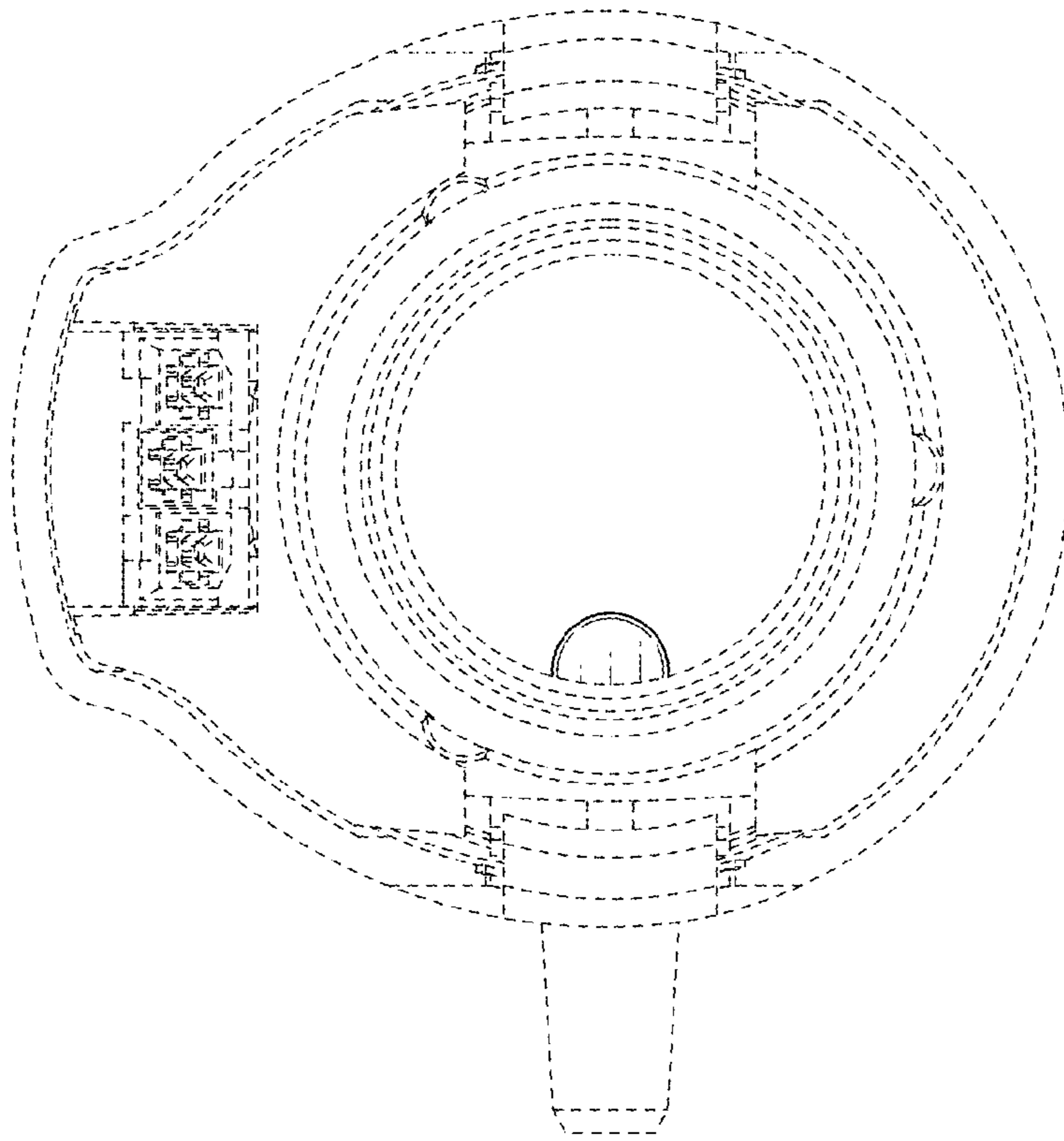


FIG. 1

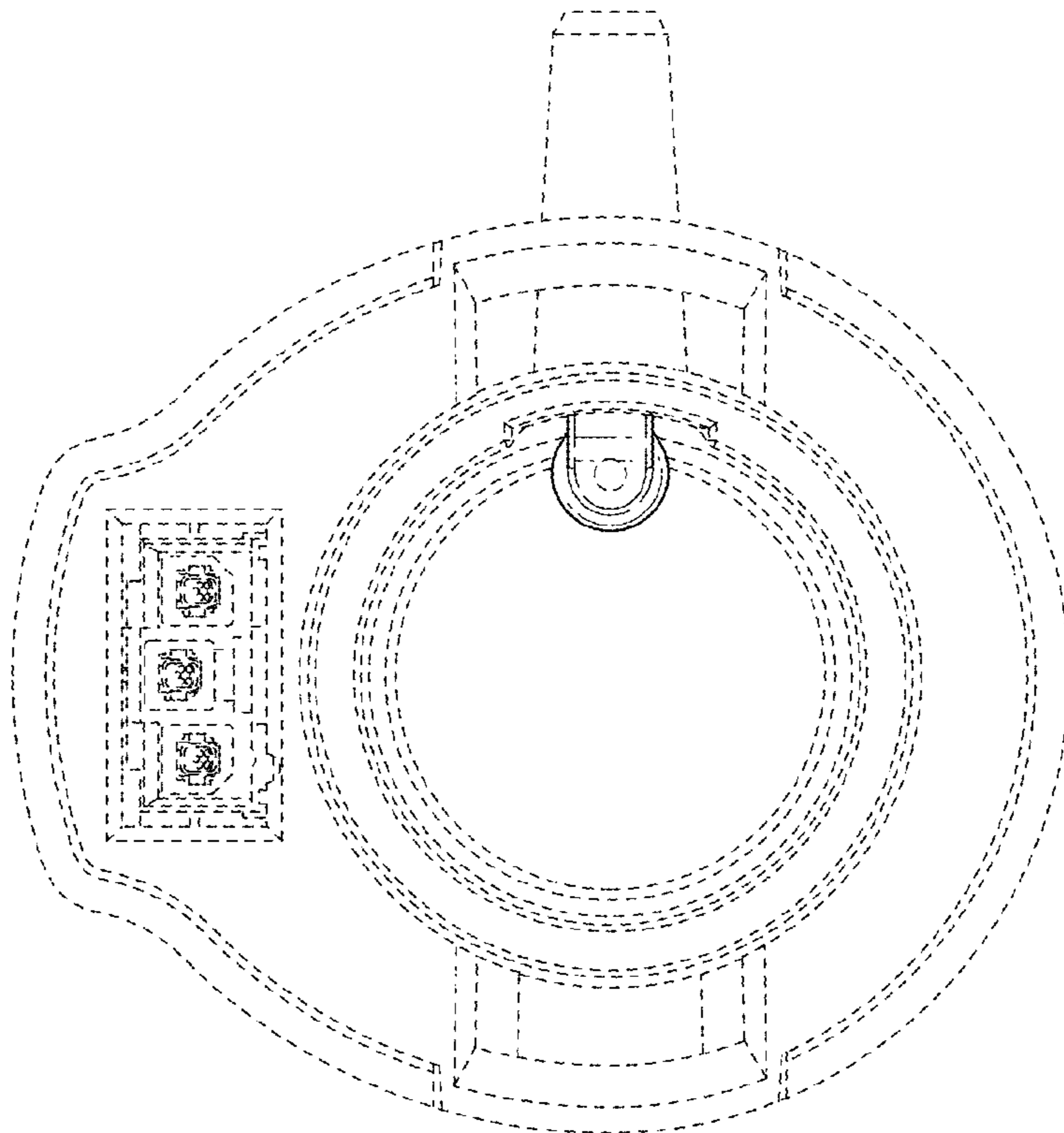


FIG. 2

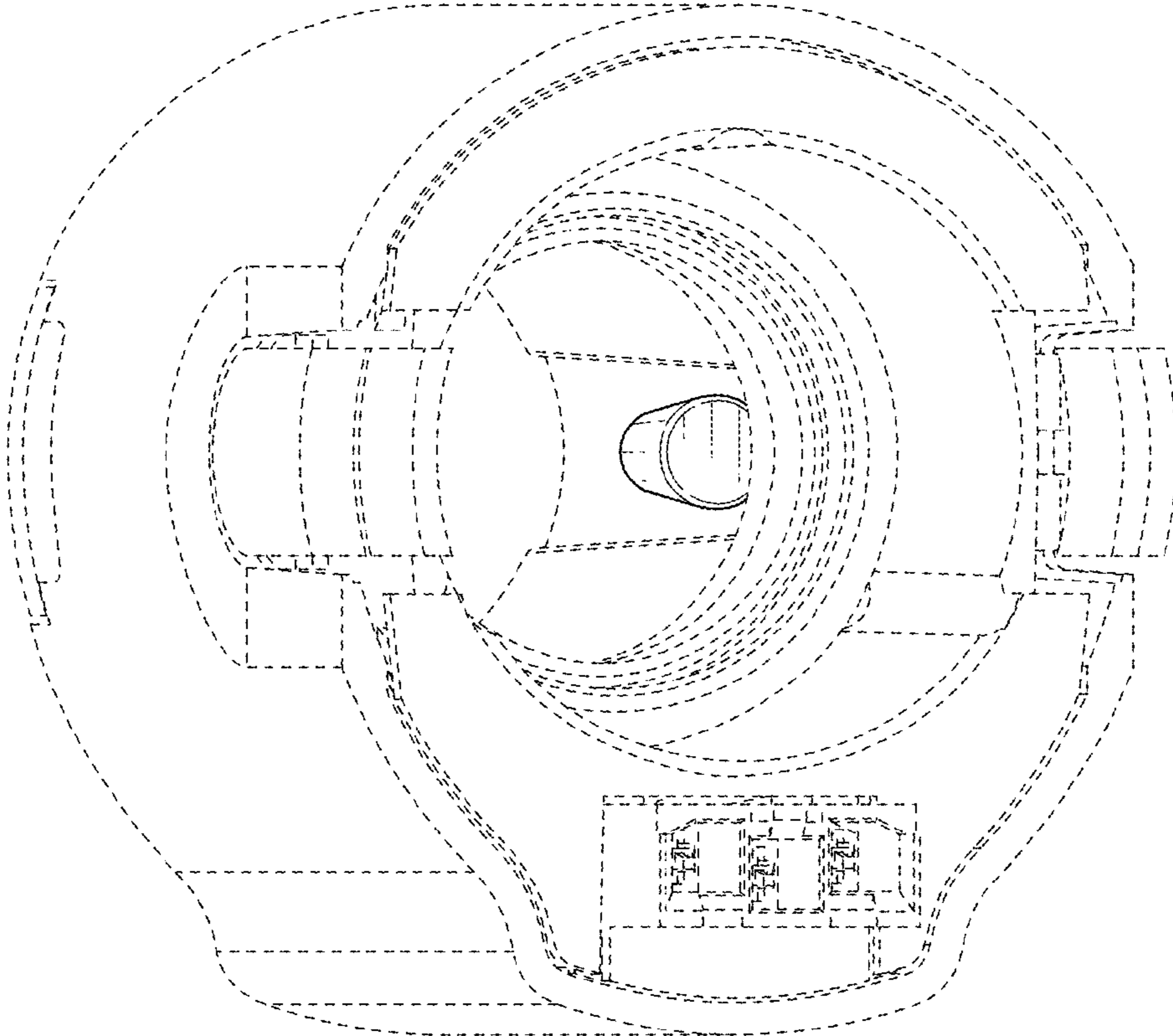


FIG. 4

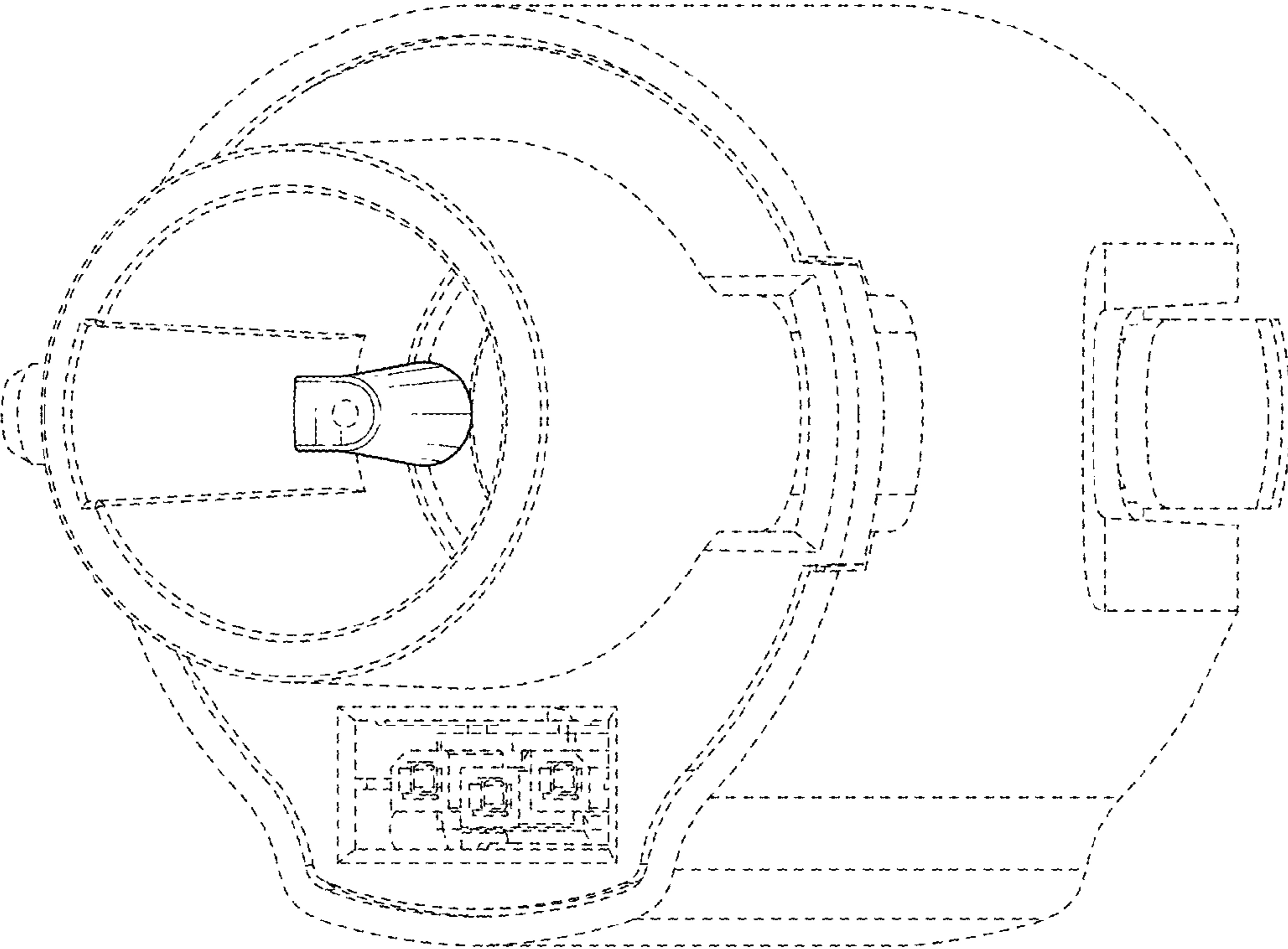


FIG. 3

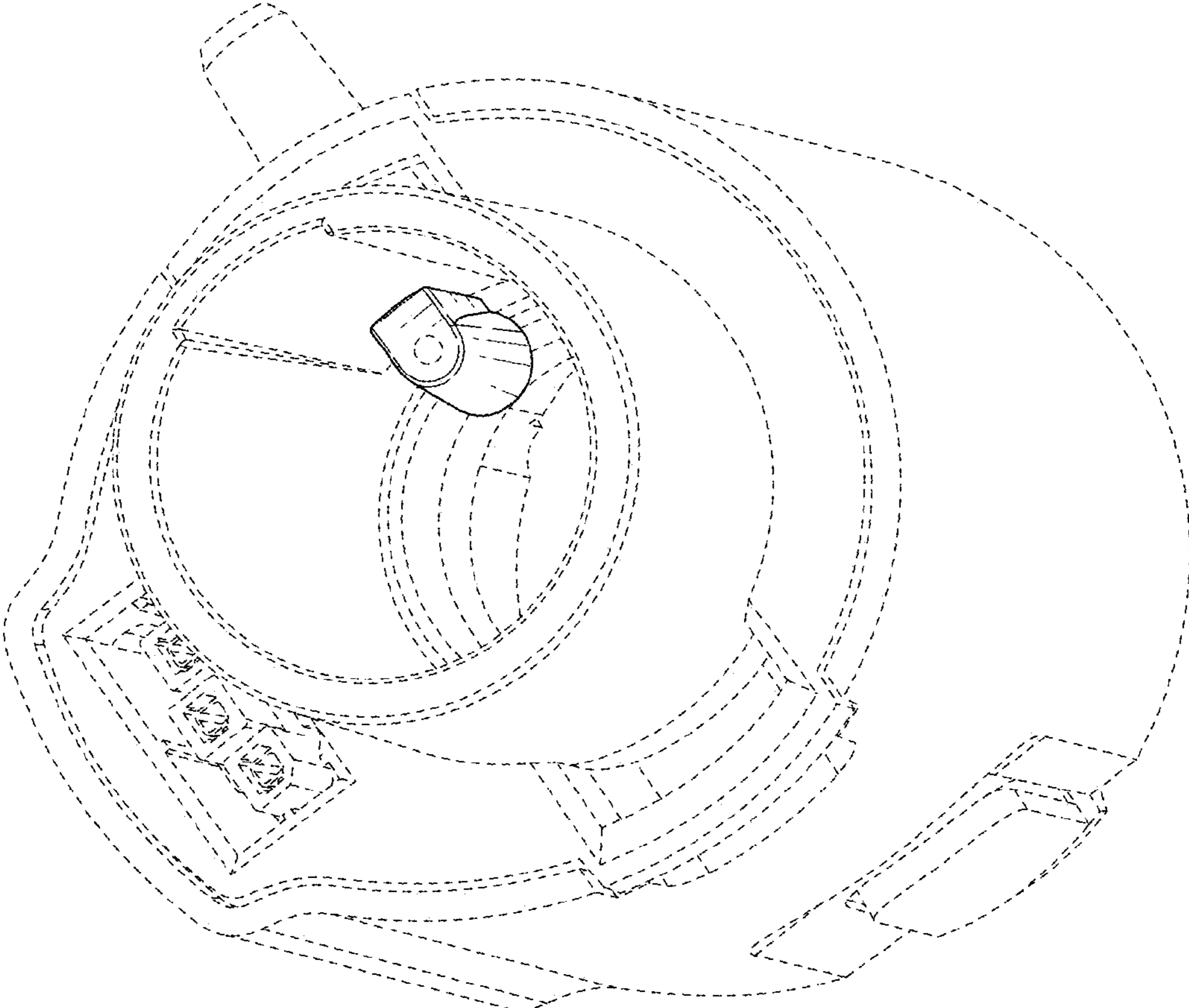


FIG. 6

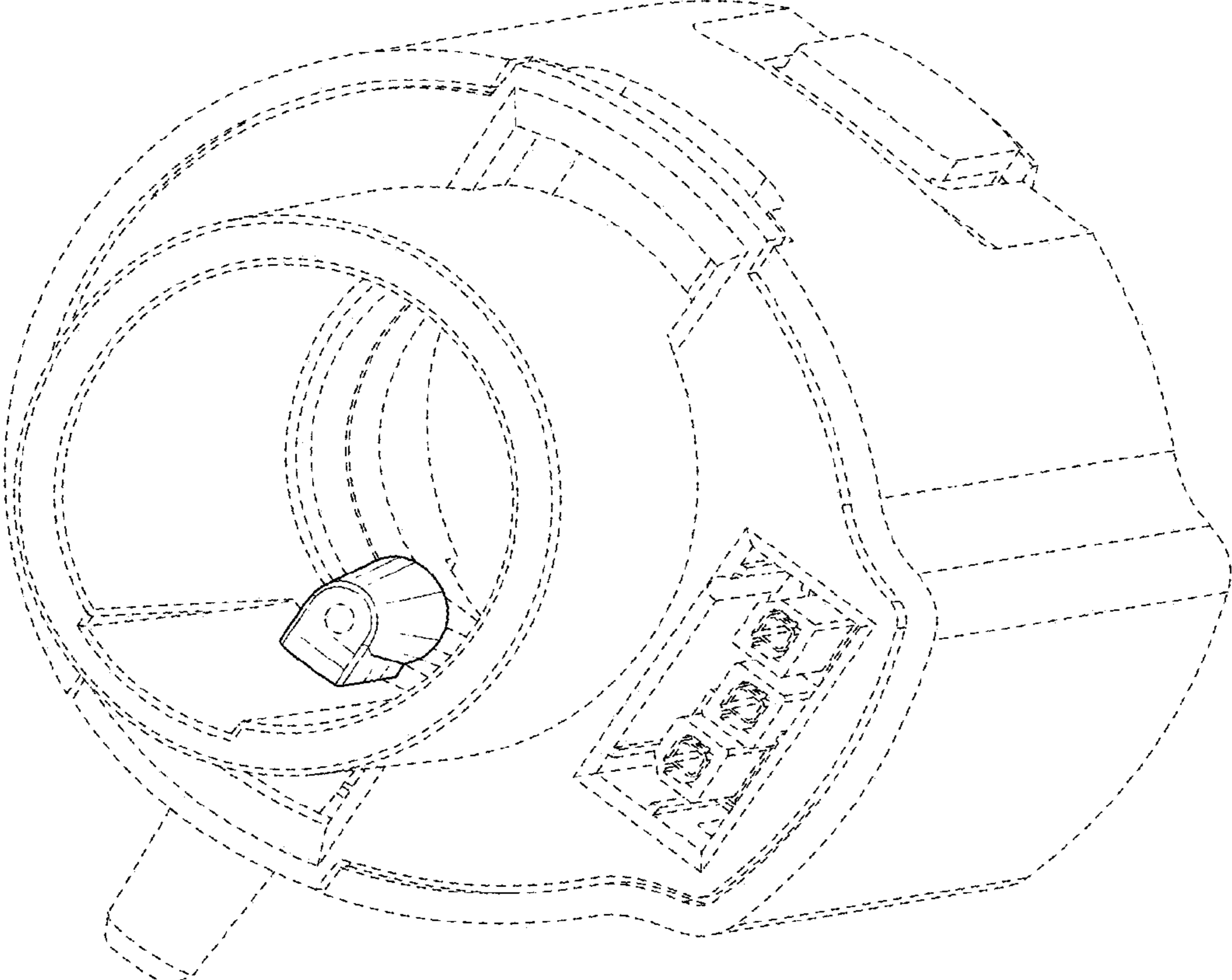


FIG. 5

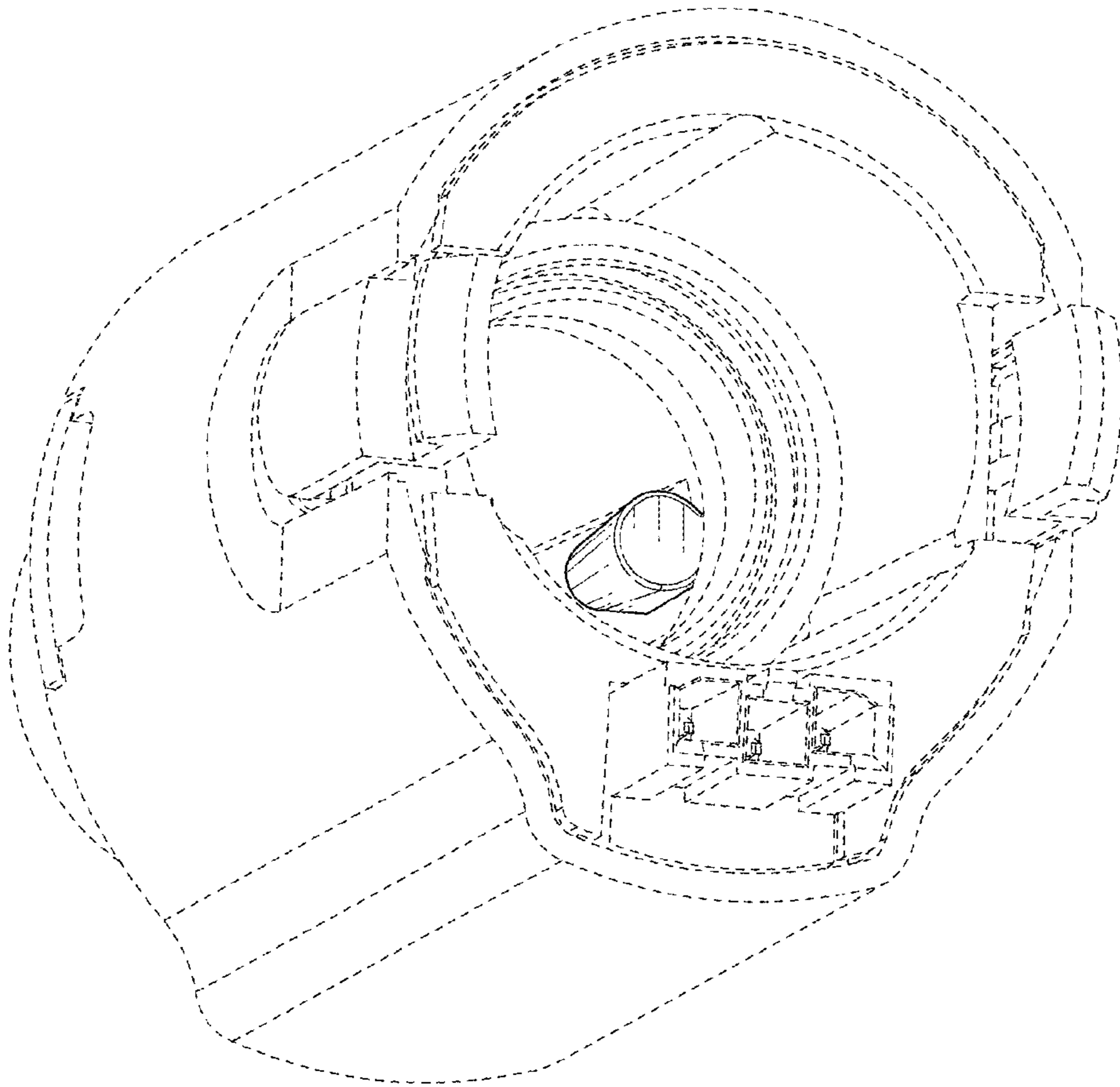


FIG. 8

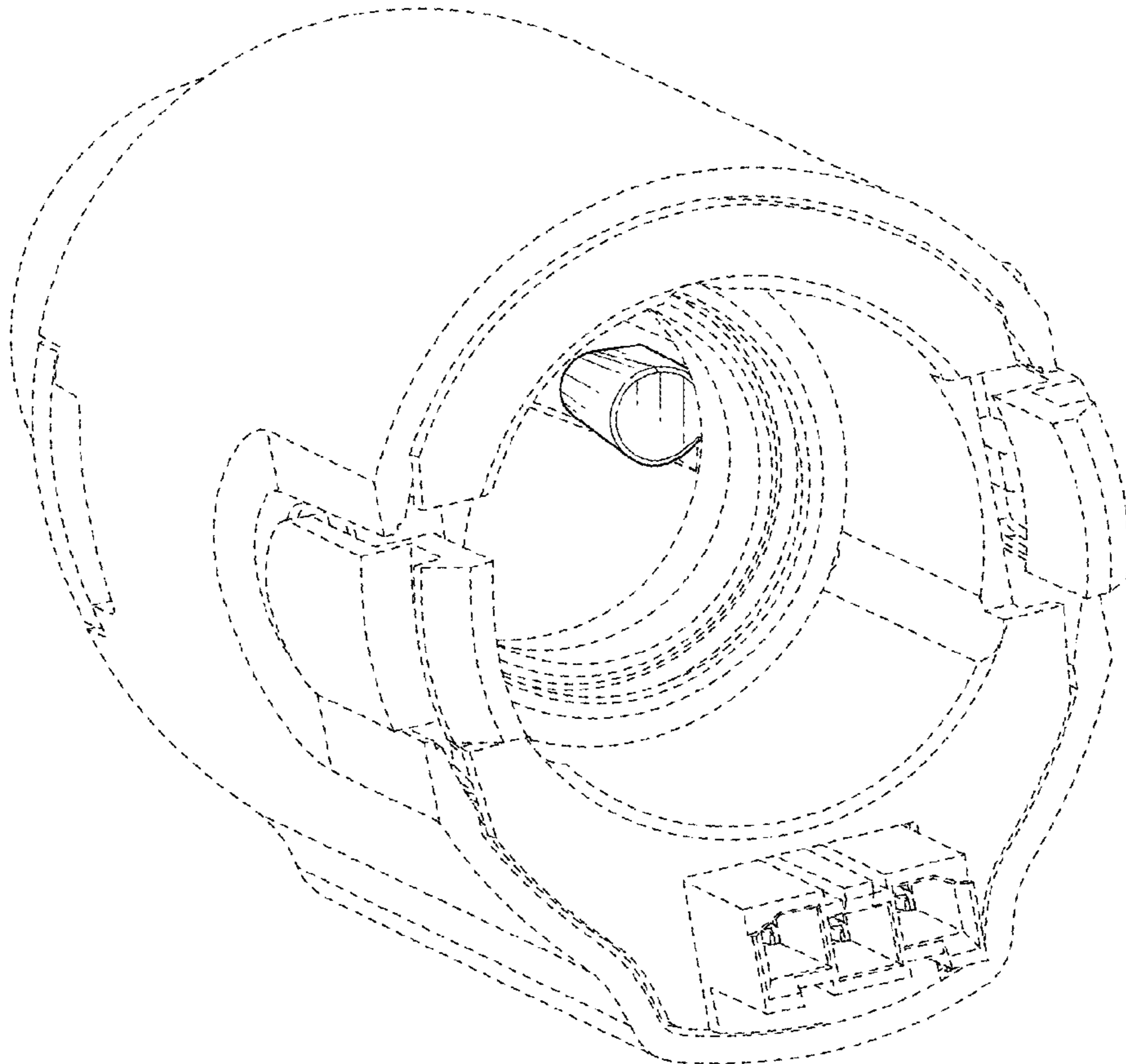


FIG. 7

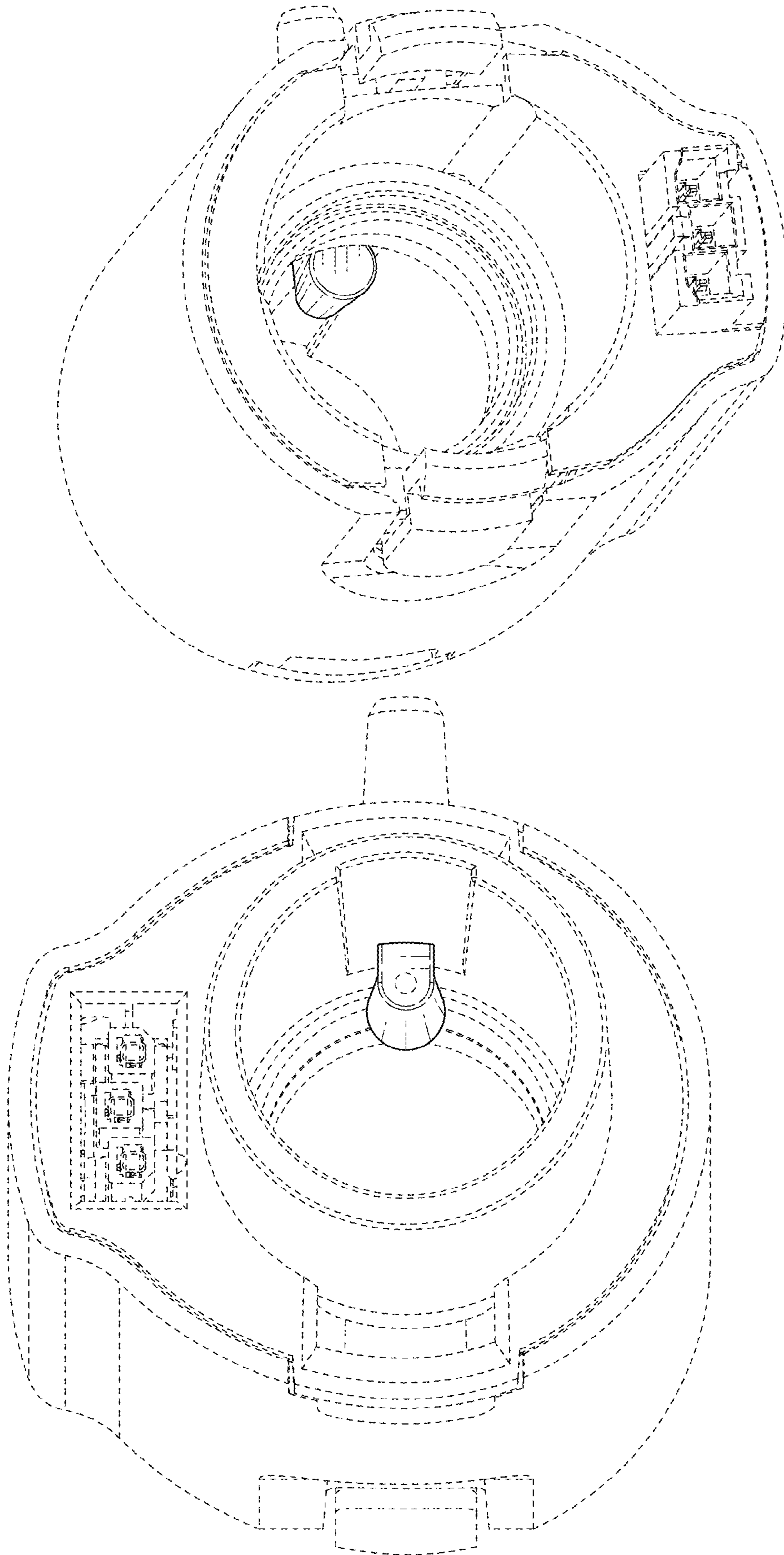


FIG. 10

FIG. 9