



US00D944936S

(12) **United States Design Patent**
Chaves et al.

(10) **Patent No.:** **US D944,936 S**
(45) **Date of Patent:** **** Mar. 1, 2022**

(54) **CONNECTOR FOR A SANITIZING MACHINE**

(71) Applicant: **SoClean, Inc.**, Peterborough, NH (US)

(72) Inventors: **Alex Chaves**, Hudson, NH (US);
Robert A. Charles, New Boston, NH (US)

(73) Assignee: **SOCLEAN INC.**, Peterborough, NH (US)

(**) Term: **15 Years**

(21) Appl. No.: **29/725,702**

(22) Filed: **Feb. 26, 2020**

(51) **LOC (13) Cl.** **23-01**

(52) **U.S. Cl.**
USPC **D23/259**; D24/129

(58) **Field of Classification Search**
USPC D23/233, 249, 259, 262, 303, 363, 386,
D23/365; D24/108, 110, 110.5–110.6,
D24/127, 129, 217, 110.4, 112;
128/207.12–207.13, 207.16, 207.18;
285/319, 7, 9.2, 82, 93, 148.19,
285/148.21–148.2; D32/25; D8/382
CPC A61L 2209/134; F16L 2201/10
See application file for complete search history.

(56) **References Cited**

U.S. PATENT DOCUMENTS

D238,712 S * 2/1976 Gray D24/110
5,392,775 A * 2/1995 Adkins, Jr. A61F 2/20
128/207.14
5,806,515 A * 9/1998 Bare A61F 2/203
128/207.15
D429,330 S * 8/2000 Hoenig D24/110.6
(Continued)

OTHER PUBLICATIONS

IntelliPAP Setup for SoClean 2 CPAP Sanitizer—CPAPXchange;
Video frame 0:13/1:52 and 1:44/1:52; YouTube Video Publish Date

May 6, 2014; Visited Online Oct. 20, 2021; <https://www.youtube.com/watch?v=oYGdm2ql70g&t=1s> (Year: 2014).*

(Continued)

Primary Examiner — Amy C Wierenga
(74) *Attorney, Agent, or Firm* — Grossman, Tucker,
Perrault & Pflieger, PLLC

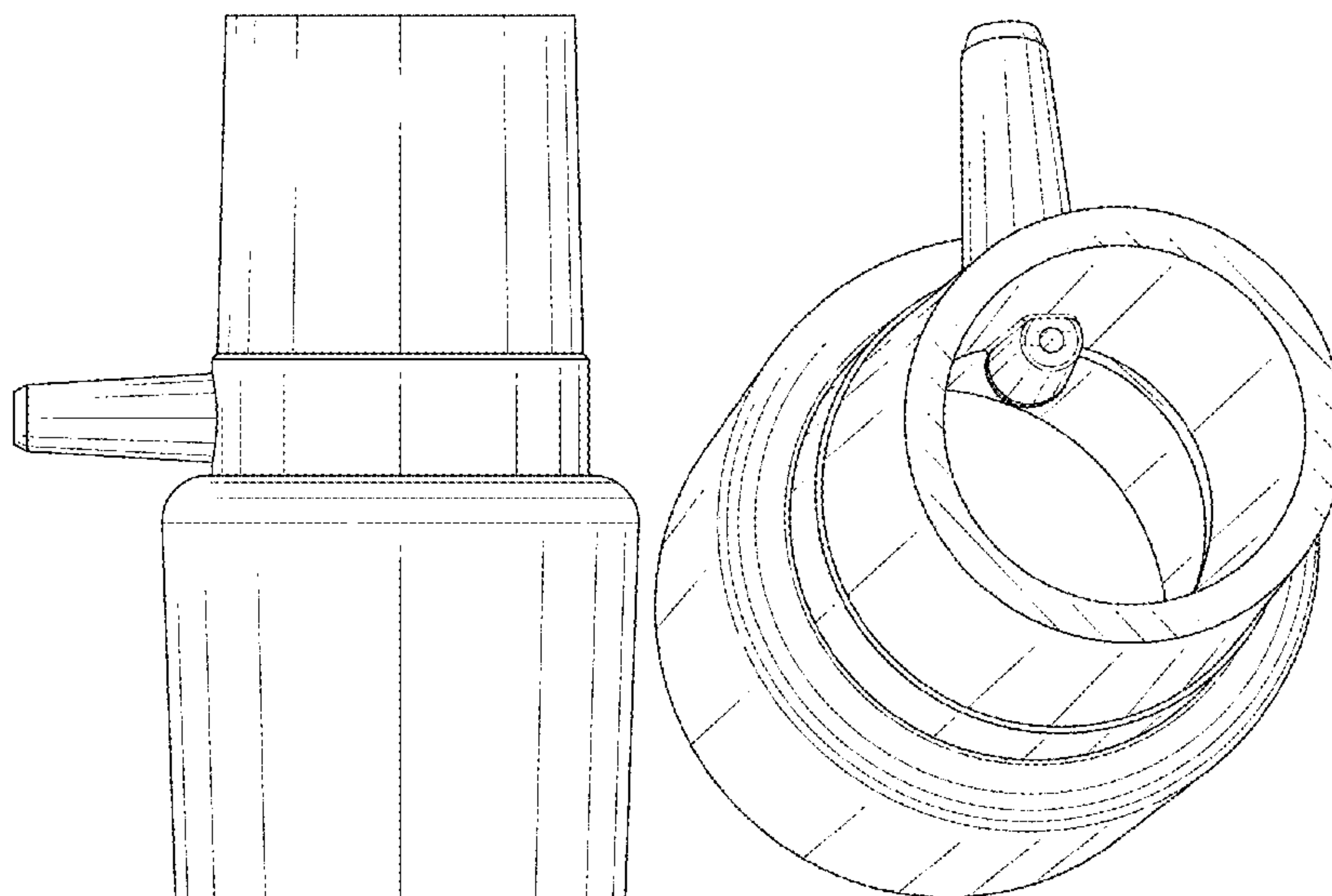
(57) **CLAIM**

The ornamental design for a connector for a sanitizing machine, as shown and described.

DESCRIPTION

FIG. 1 is a front view of a connector for a sanitizing machine, showing the new design;
FIG. 2 is a rear view thereof;
FIG. 3 is a left side view thereof;
FIG. 4 is a right side view thereof;
FIG. 5 is a bottom view thereof;
FIG. 6 is a top view thereof;
FIG. 7 is a front top perspective view thereof;
FIG. 8 is a front bottom perspective view thereof;
FIG. 9 is a front left top perspective view thereof;
FIG. 10 is a front right top perspective view thereof;
FIG. 11 is a front right bottom perspective view thereof;
FIG. 12 is a front left bottom perspective view thereof;
FIG. 13 is a right side top perspective view thereof;
FIG. 14 is a right side bottom perspective view thereof;
FIG. 15 is rear top perspective view thereof;
FIG. 16 is a rear top right perspective view thereof;
FIG. 17 is a rear top left perspective view thereof;
FIG. 18 is a rear bottom perspective view thereof;
FIG. 19 is a rear bottom left perspective view thereof; and,
FIG. 20 is a rear bottom right perspective view thereof.
The broken lines in the drawings depict portions of the connector for a sanitizing machine that form no part of the claimed design.

1 Claim, 10 Drawing Sheets



(56)

References Cited

U.S. PATENT DOCUMENTS

D695,890 S * 12/2013 Bowden D24/110.6
8,770,198 B2 7/2014 Yee et al.
D724,198 S * 3/2015 Oostman D24/110.6
D856,510 S * 8/2019 Scheirlinck D24/110.4
D876,617 S * 2/2020 Scheirlinck D24/110.4
D901,004 S * 11/2020 Scheirlinck D24/110.4
2009/0260629 A1* 10/2009 Yee A61M 16/127
128/204.18
2014/0338669 A1* 11/2014 Zhao A61M 16/085
128/204.18
2015/0320962 A1* 11/2015 Bafle A61M 16/0638
128/204.18
2016/0067438 A1* 3/2016 Rollins, III A61M 16/0605
128/203.29

OTHER PUBLICATIONS

Resmed, VPAP III ST-A with QuickNav, Clinical Guide, 2008, 52 pages.

Resmed Ltd, VPAPTM IV and VPAP IVTM ST, Product Training, Jun. 2008, 27 pages.

Design U.S. Appl. No. 29/725,707, filed Feb. 26, 2020.

* cited by examiner

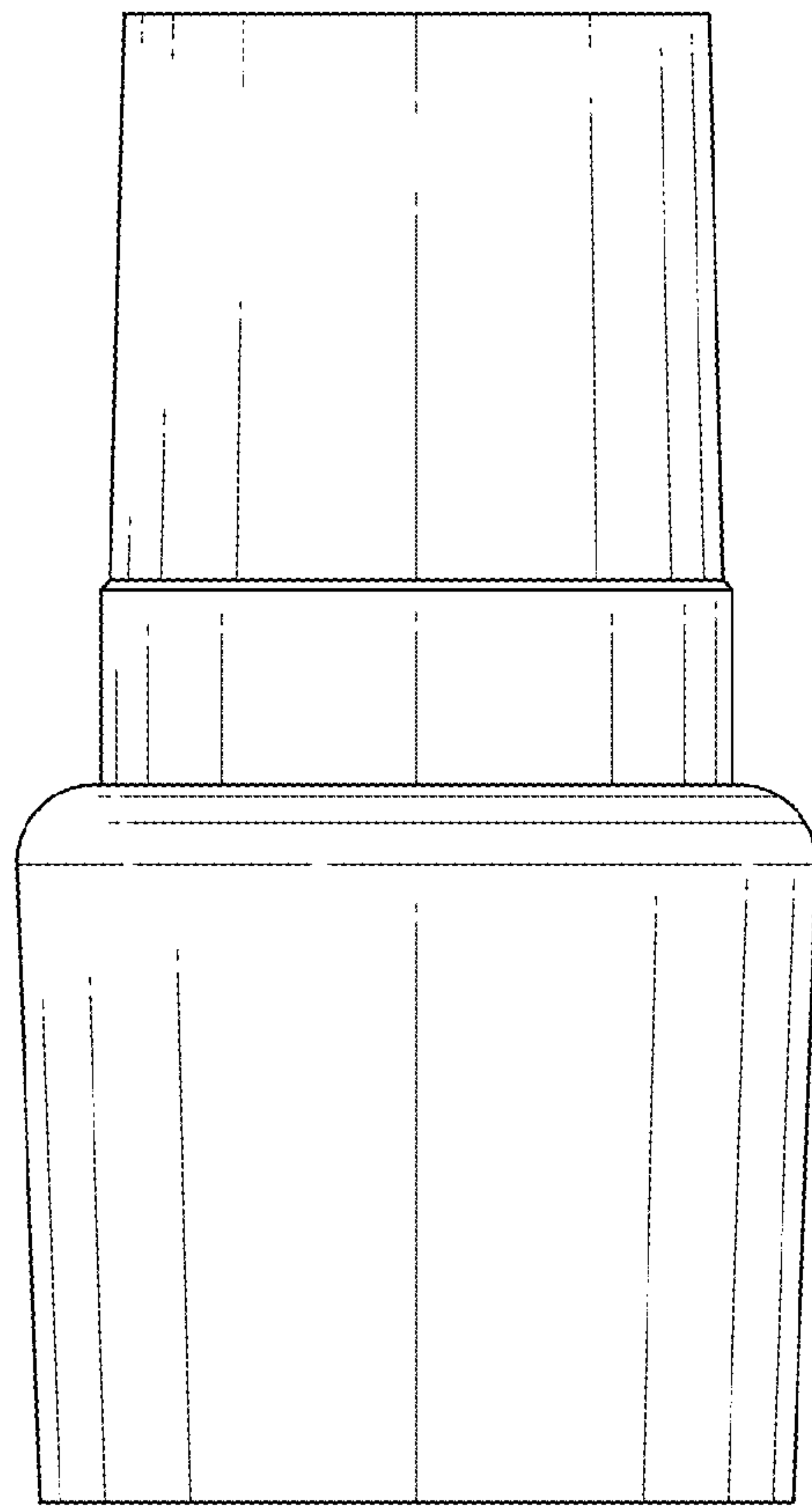


FIG. 1

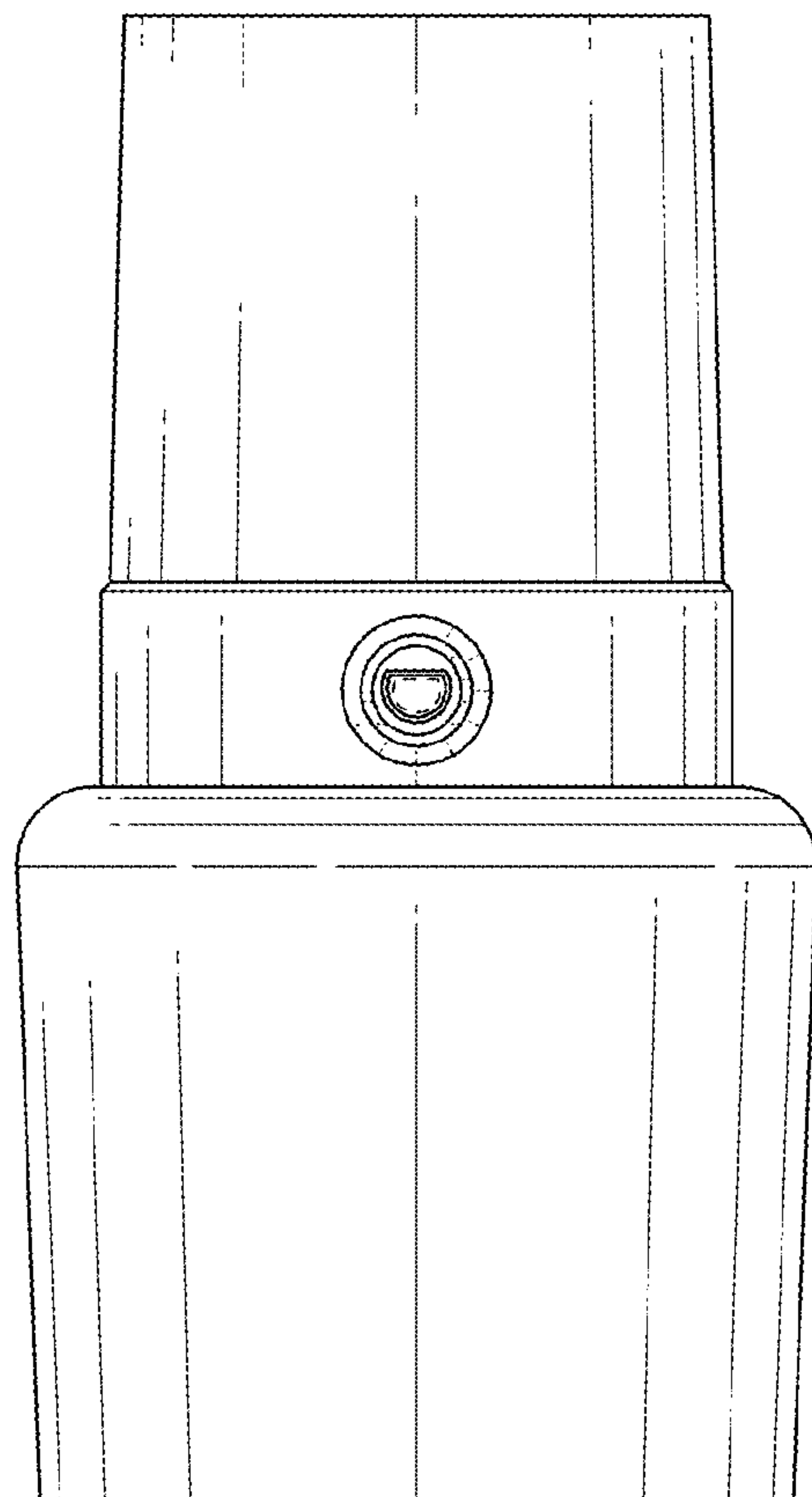


FIG. 2

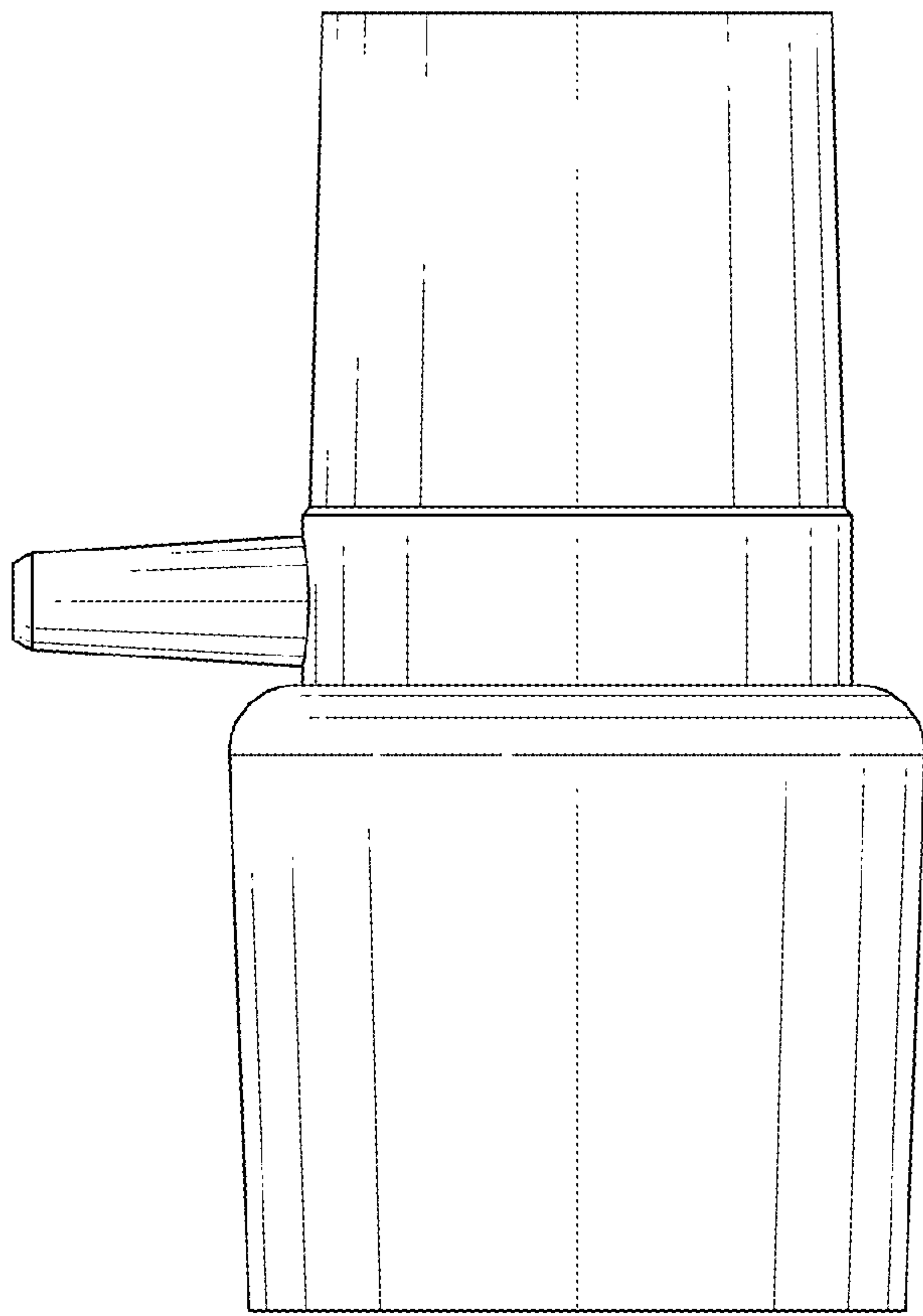


FIG. 3

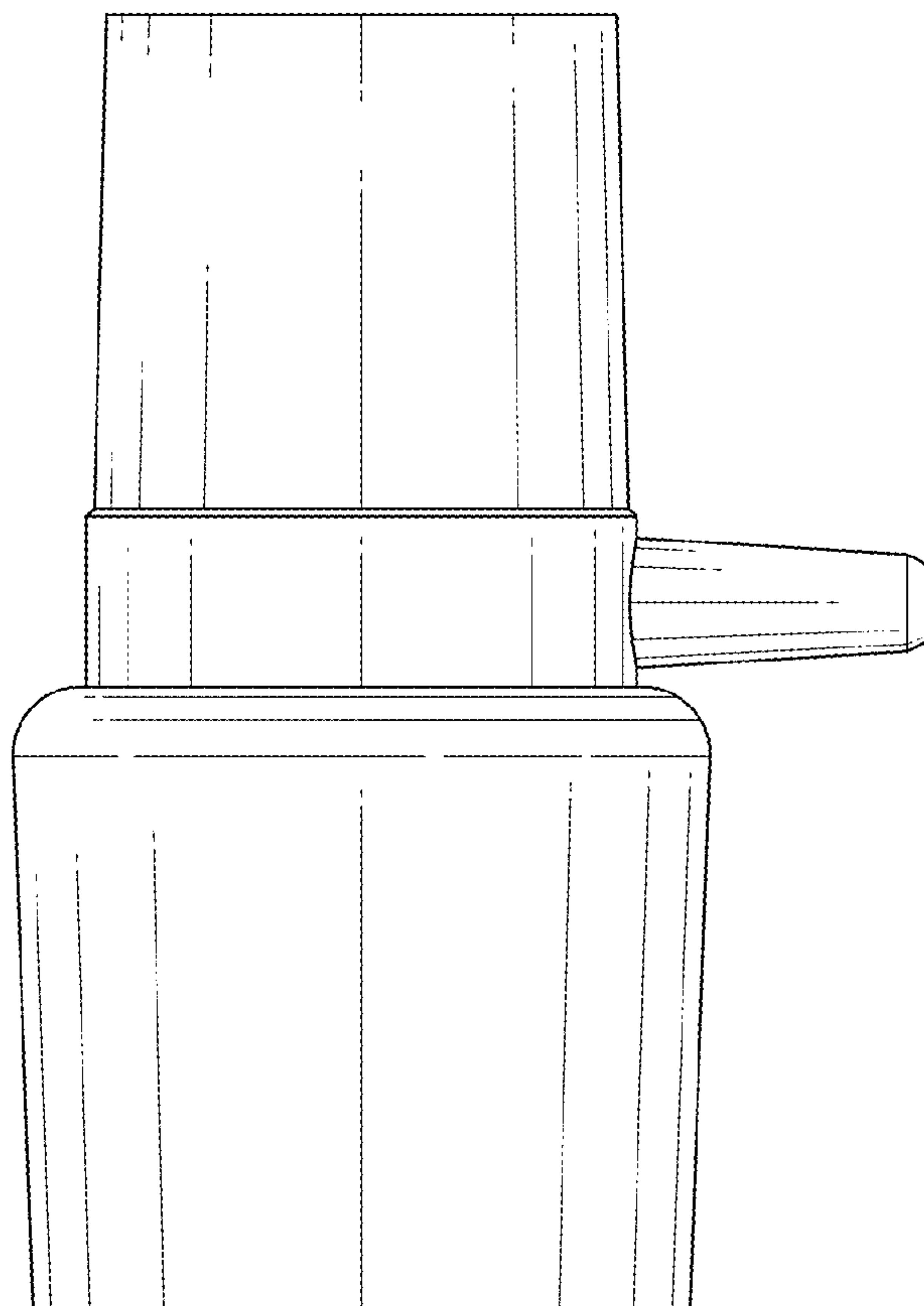


FIG. 4

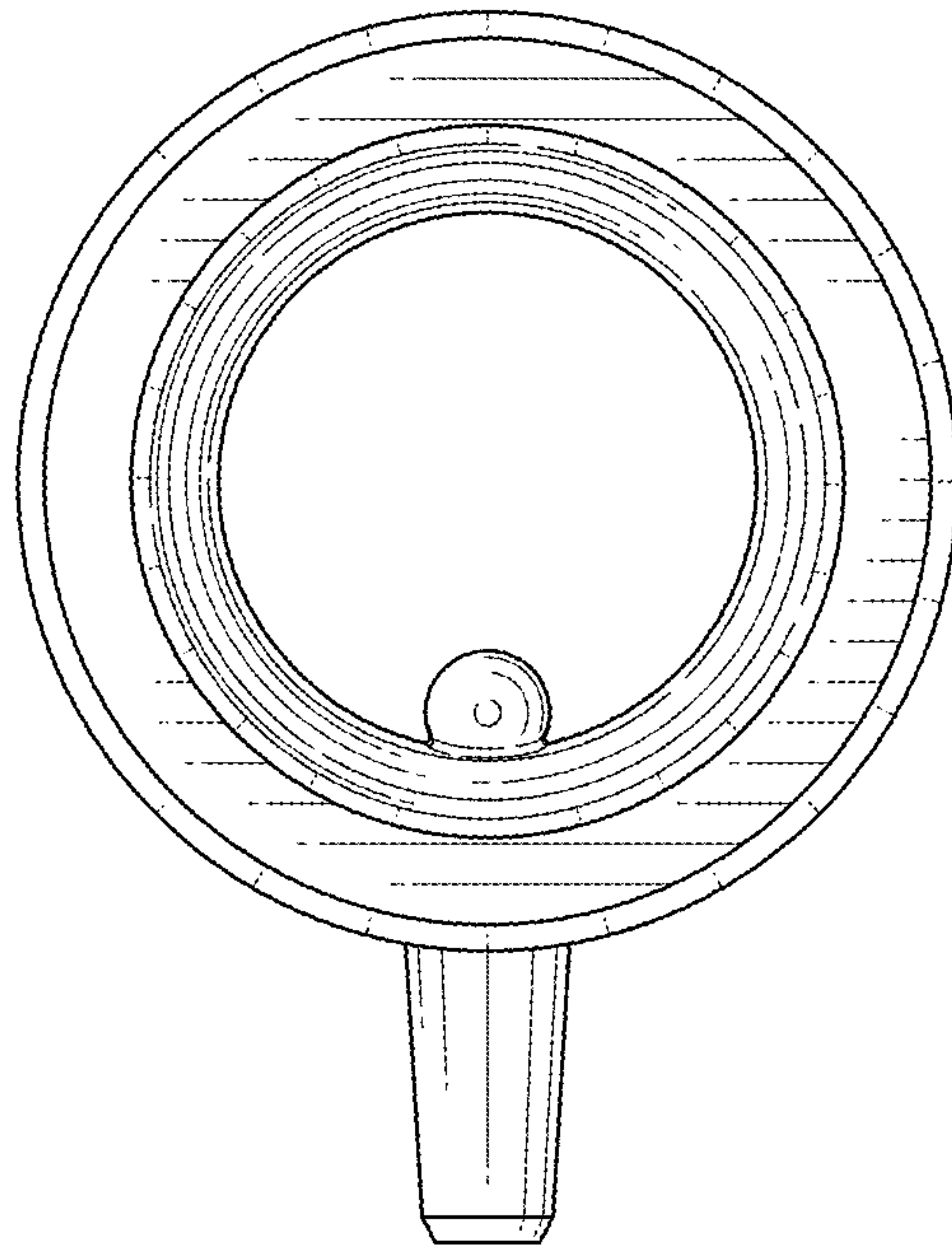


FIG. 5

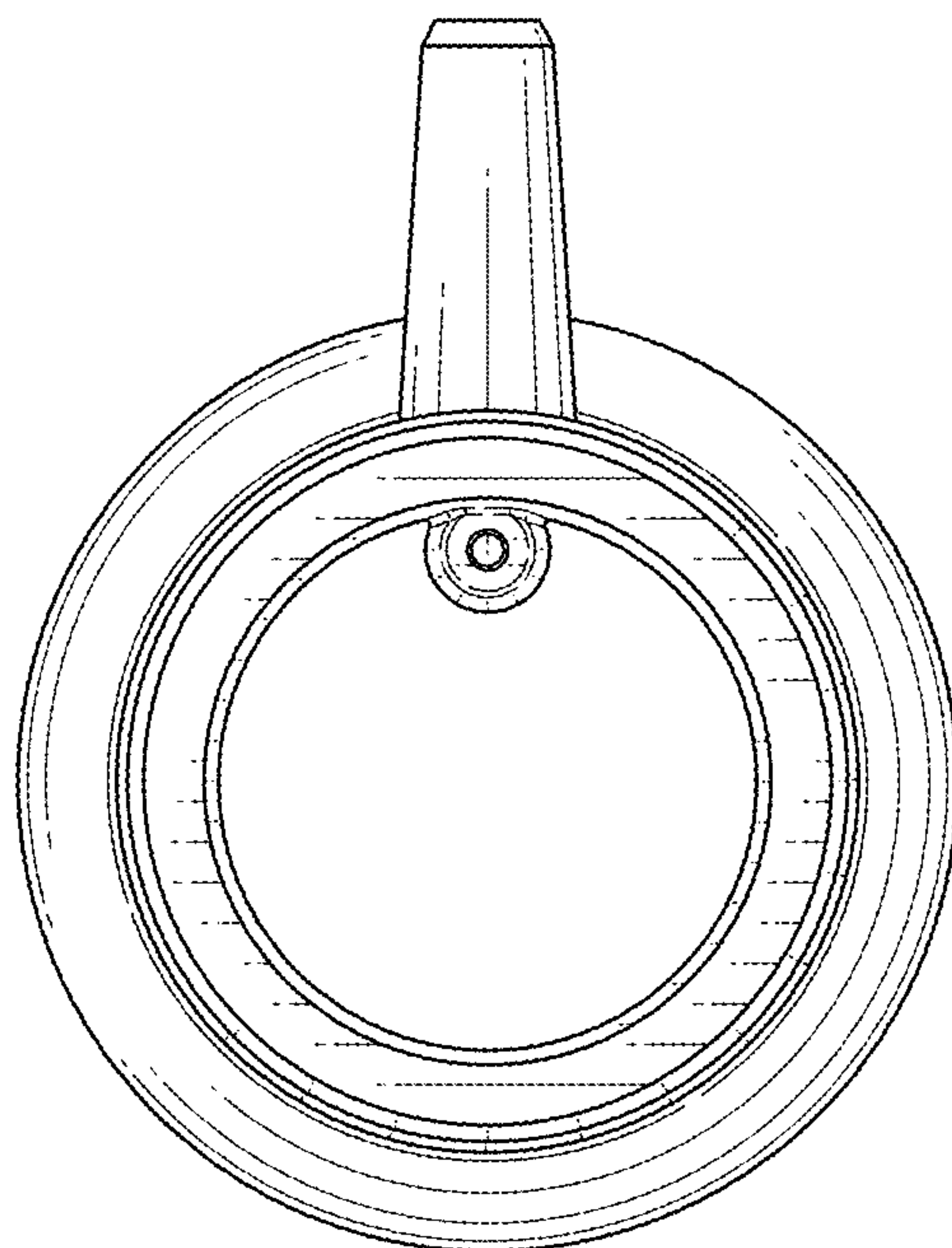


FIG. 6

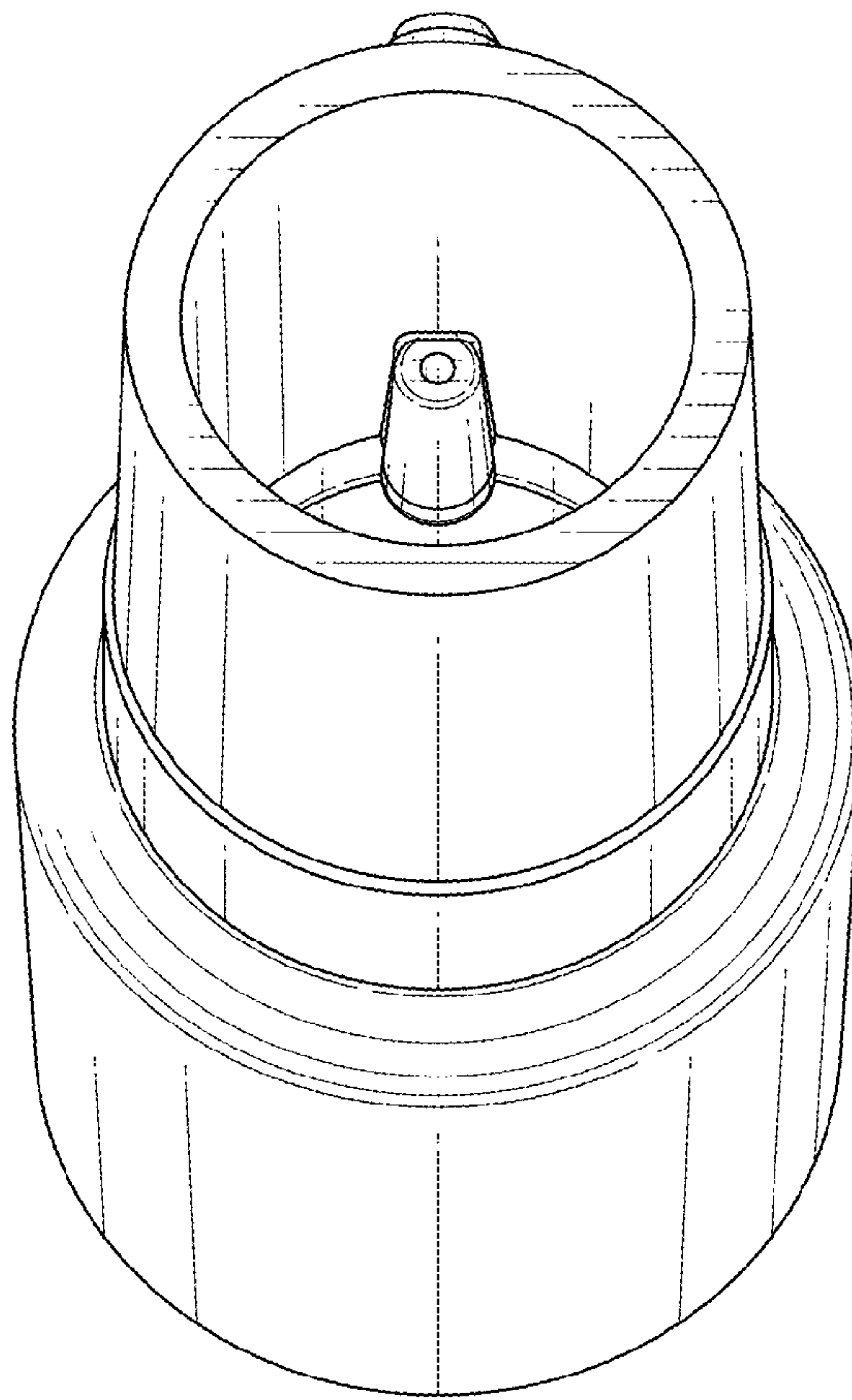


FIG. 7

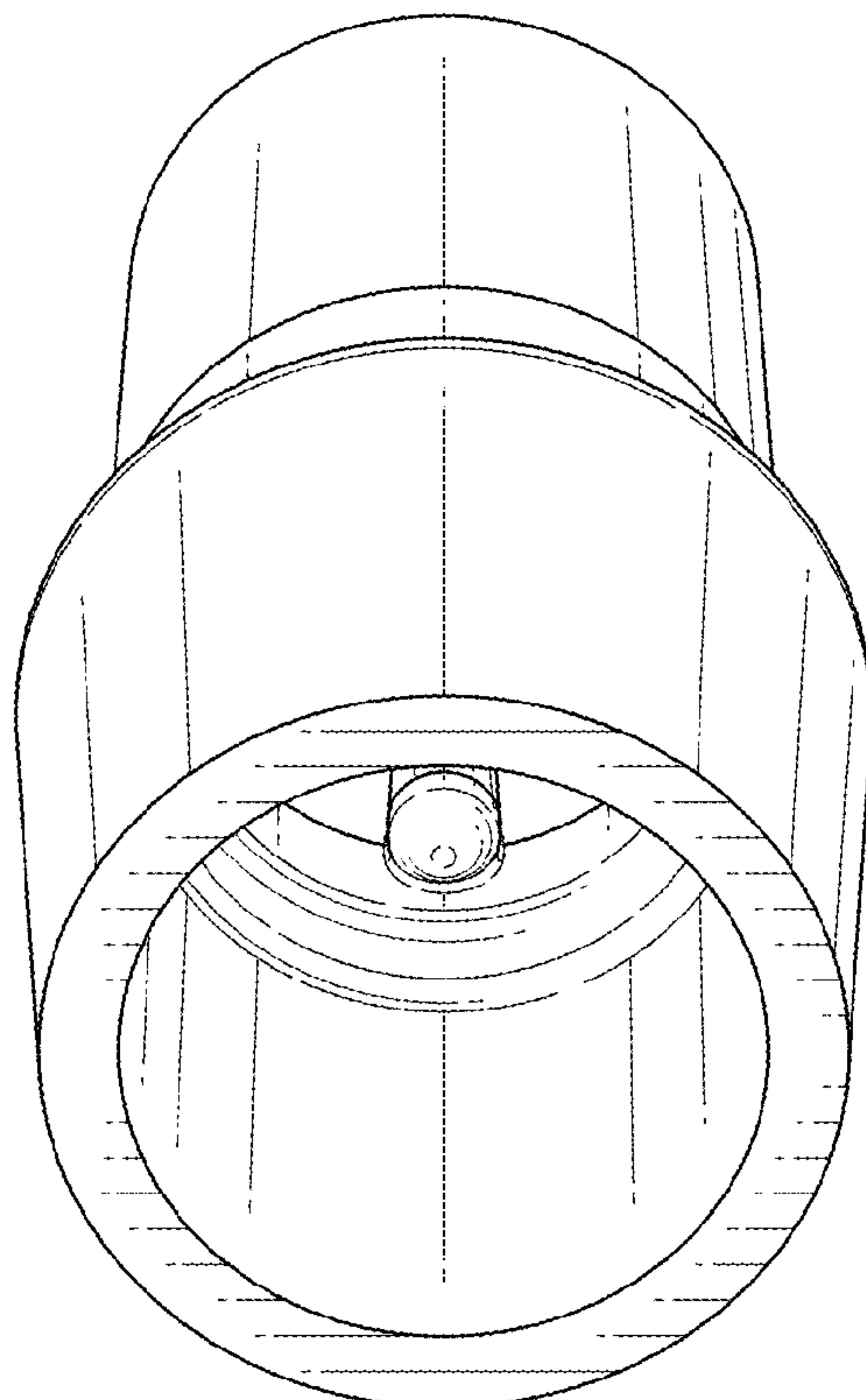


FIG. 8

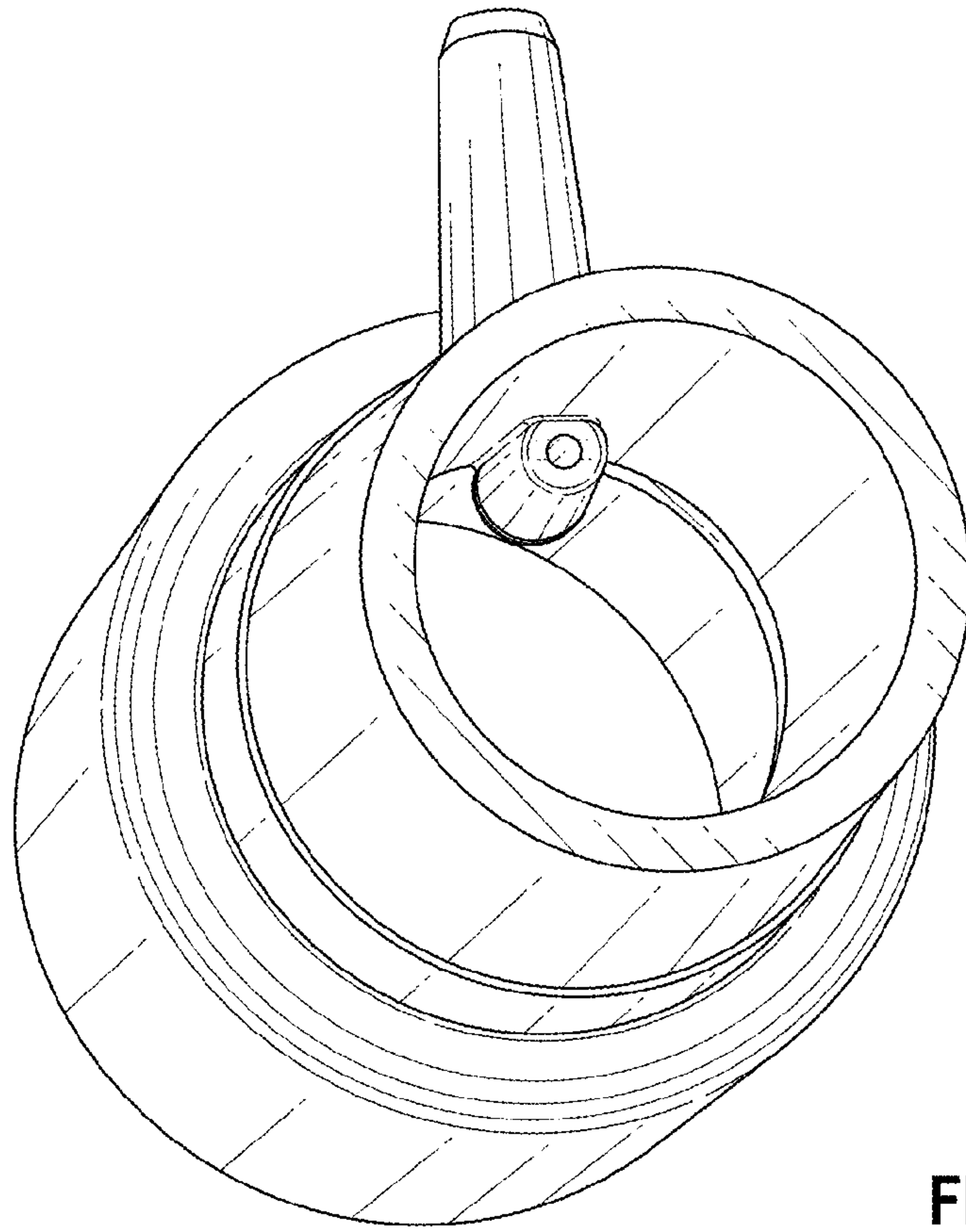


FIG. 9

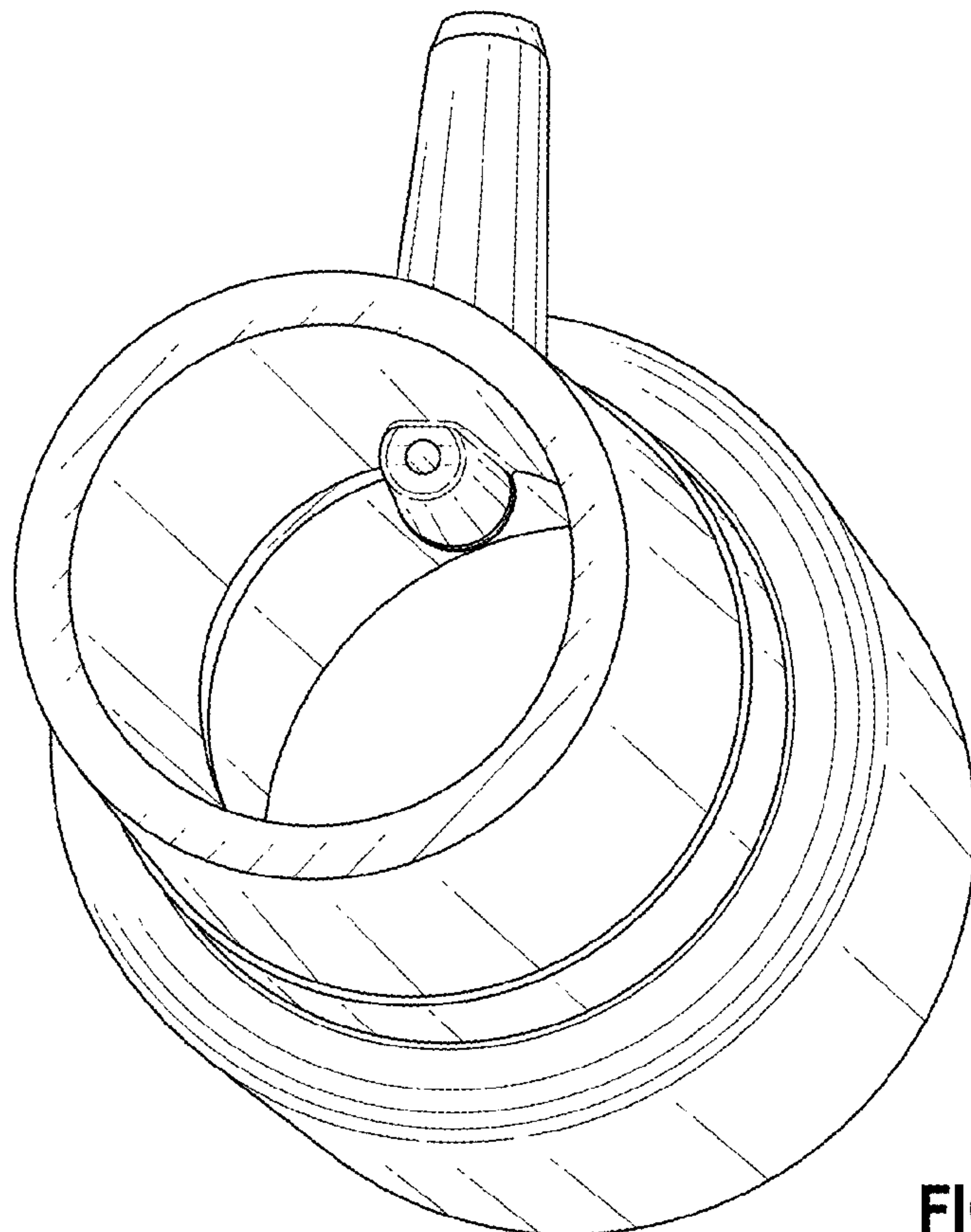


FIG. 10

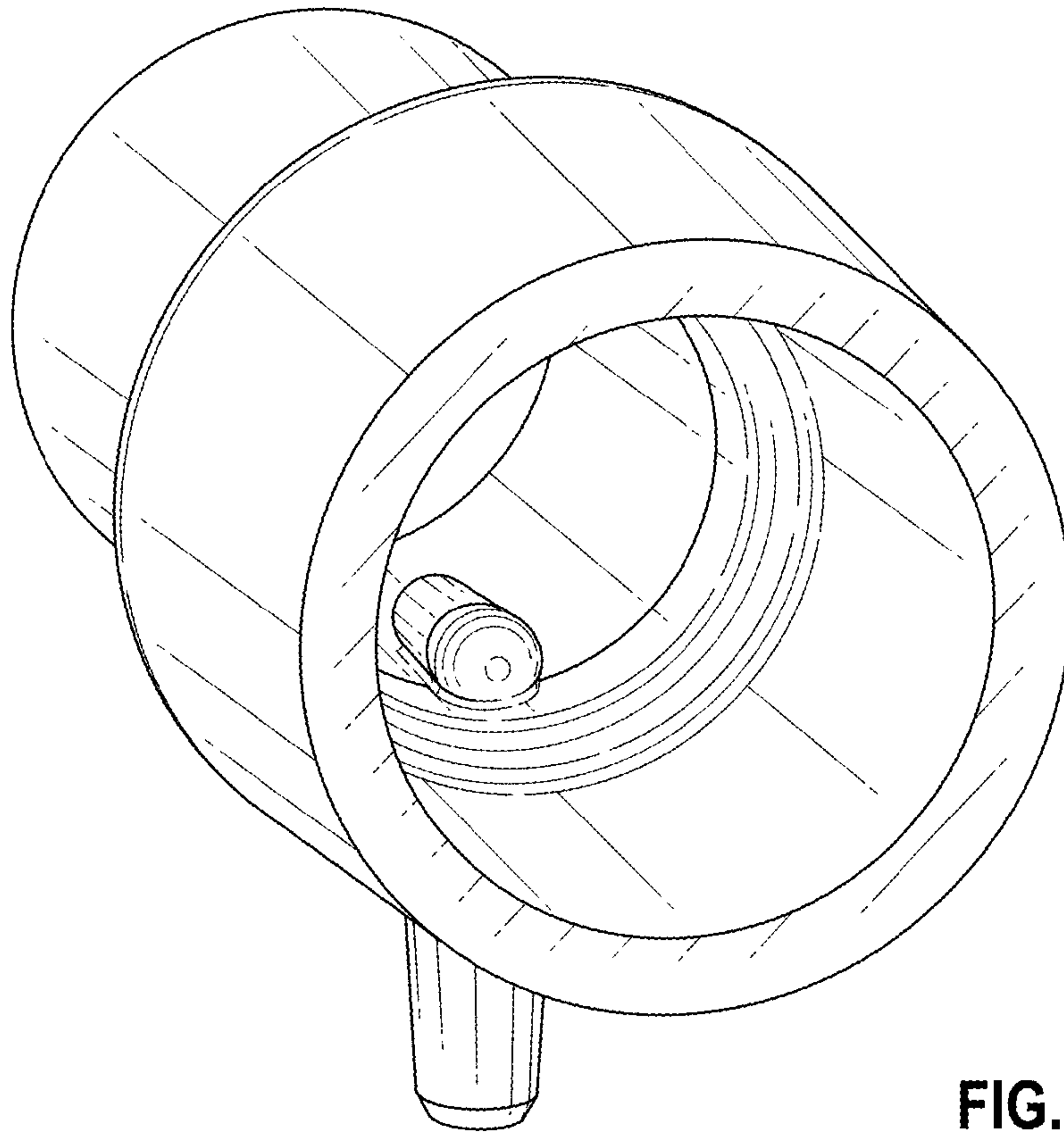


FIG. 11

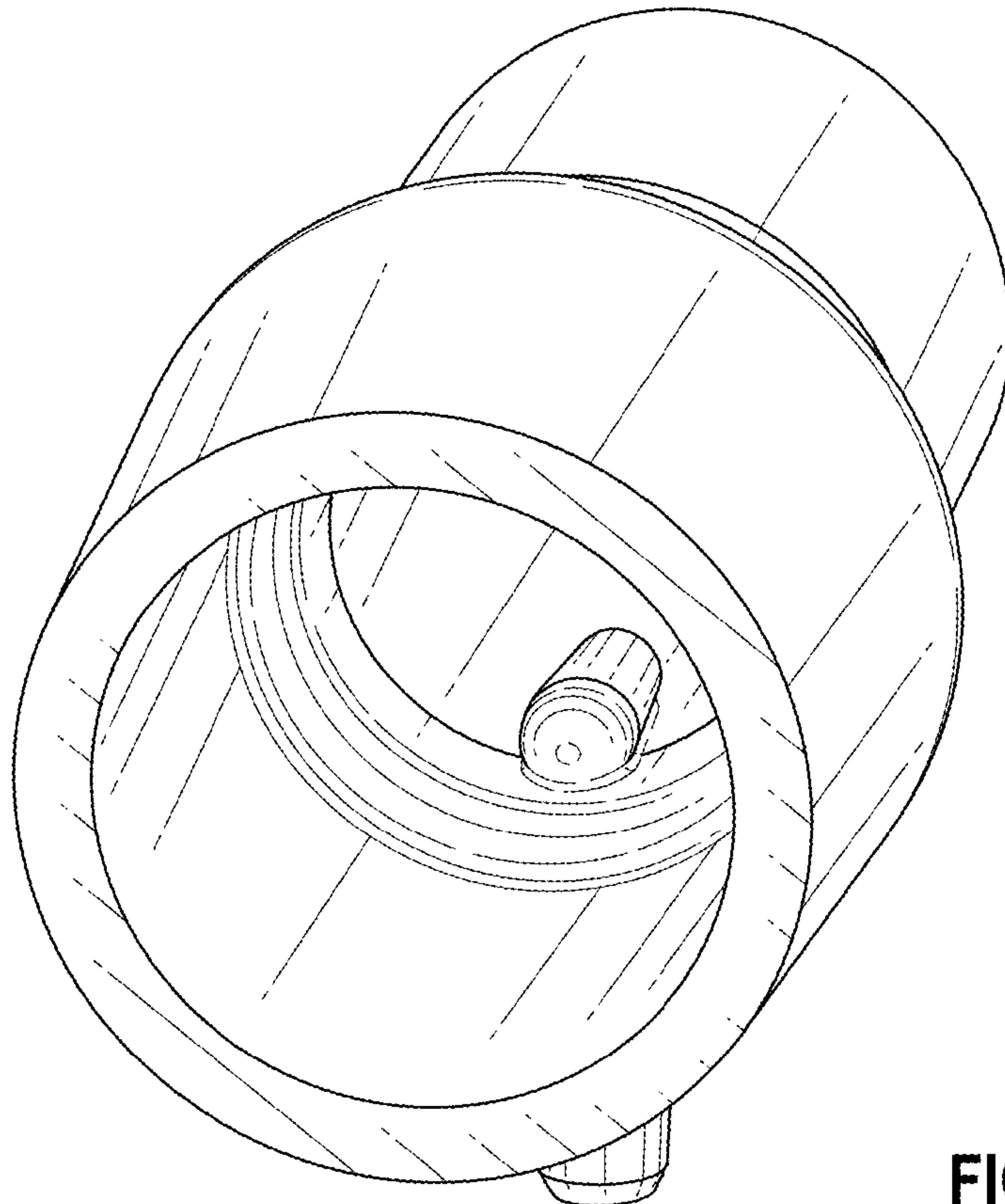


FIG. 12

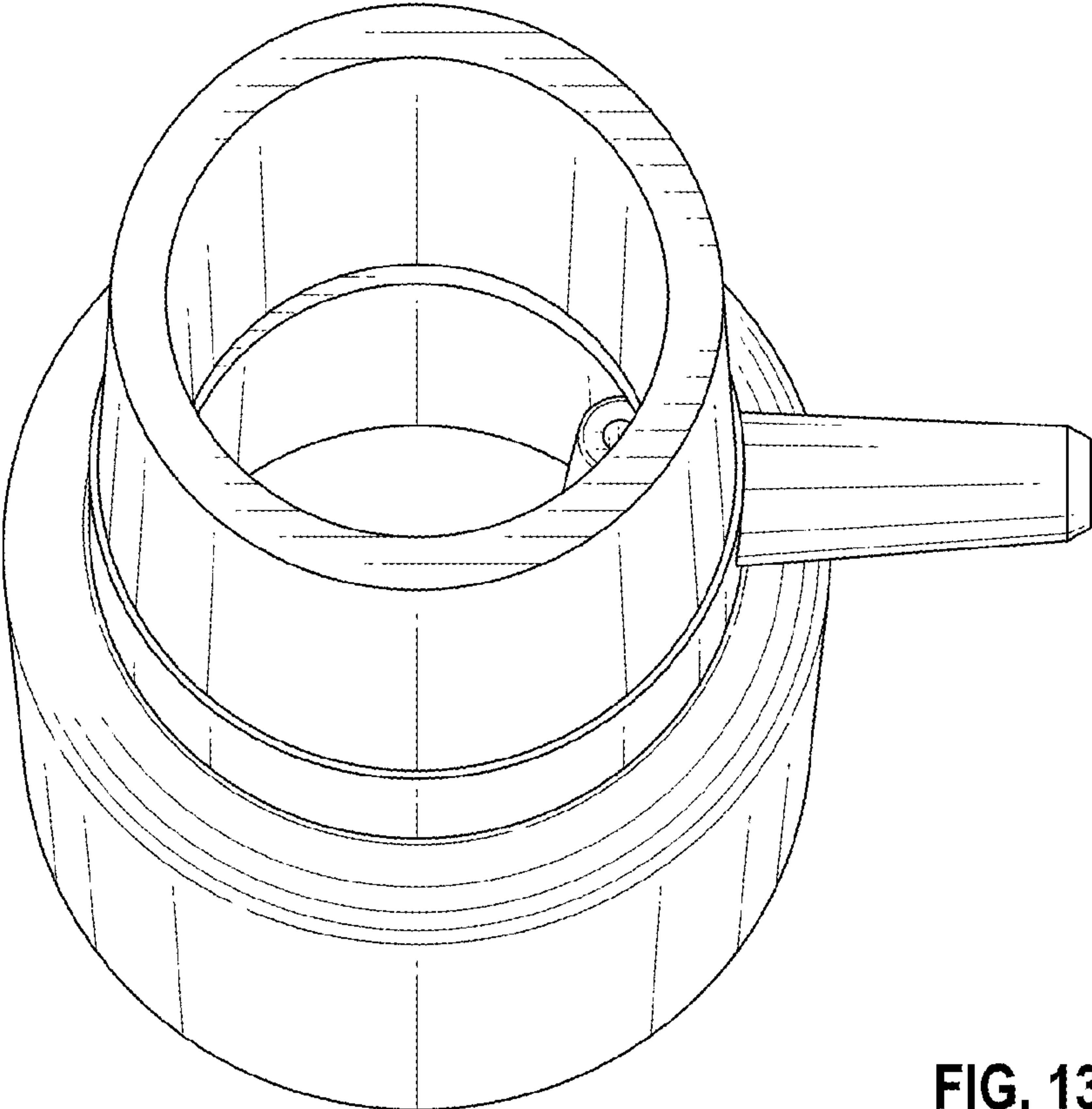


FIG. 13

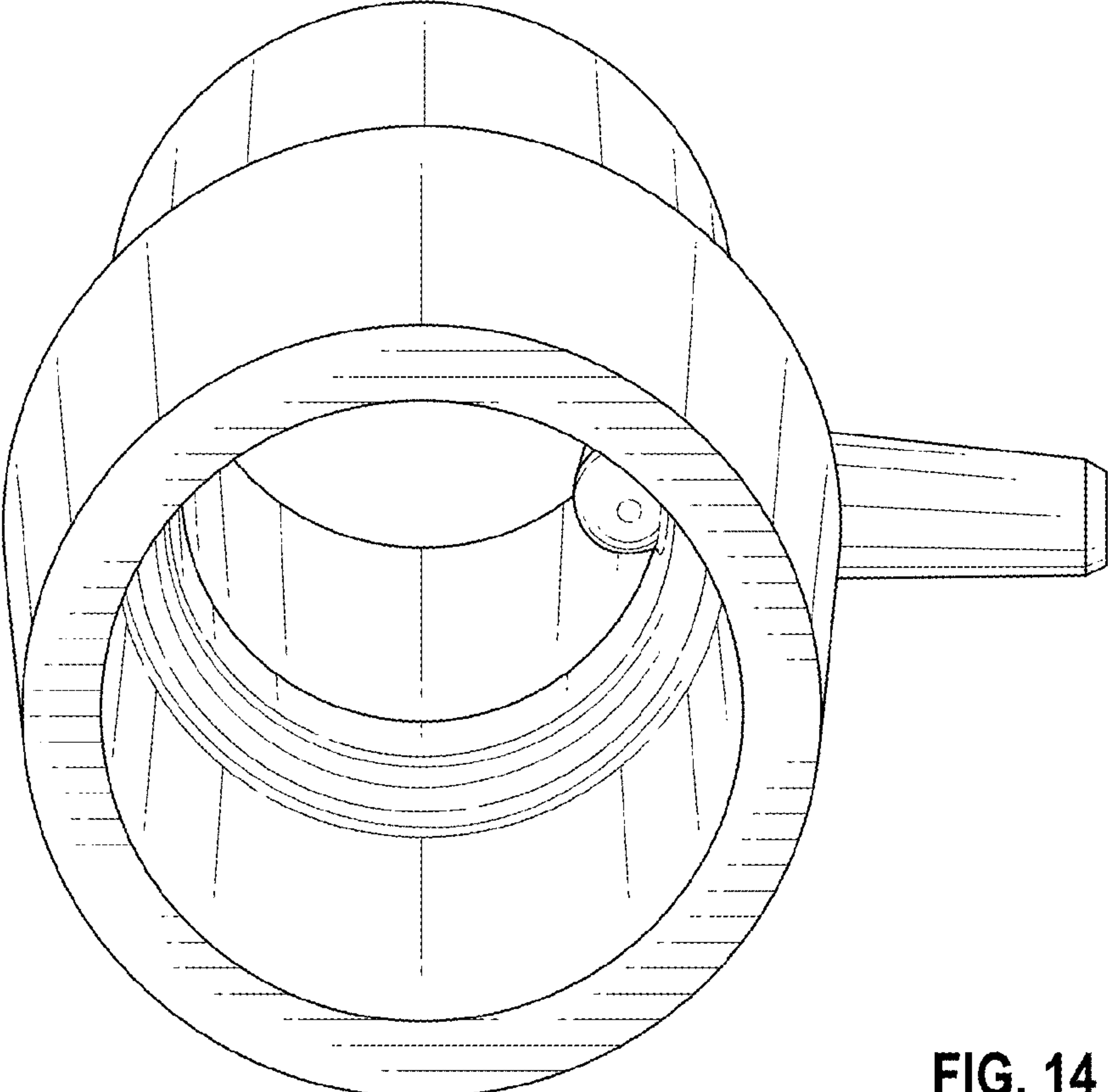


FIG. 14

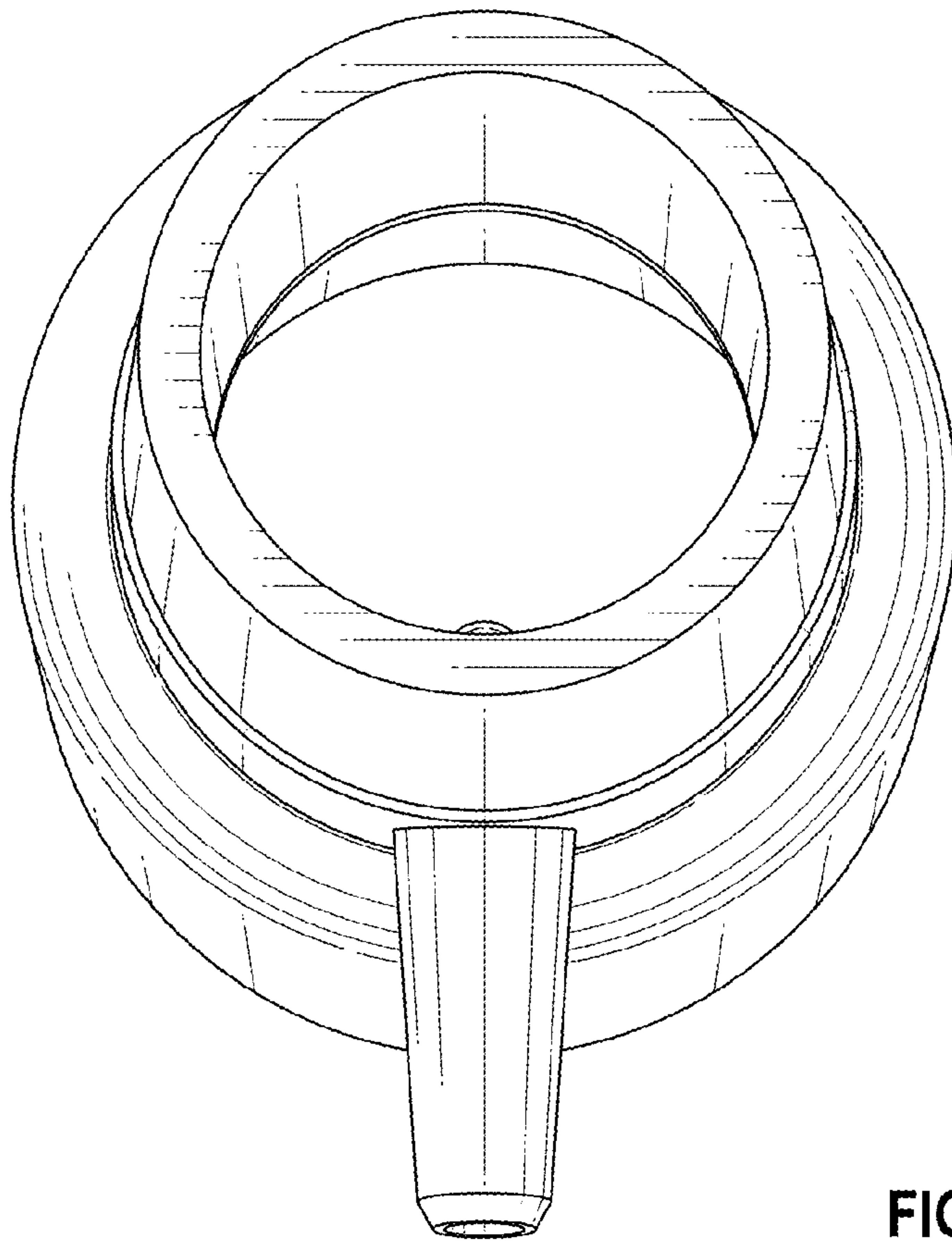


FIG. 15

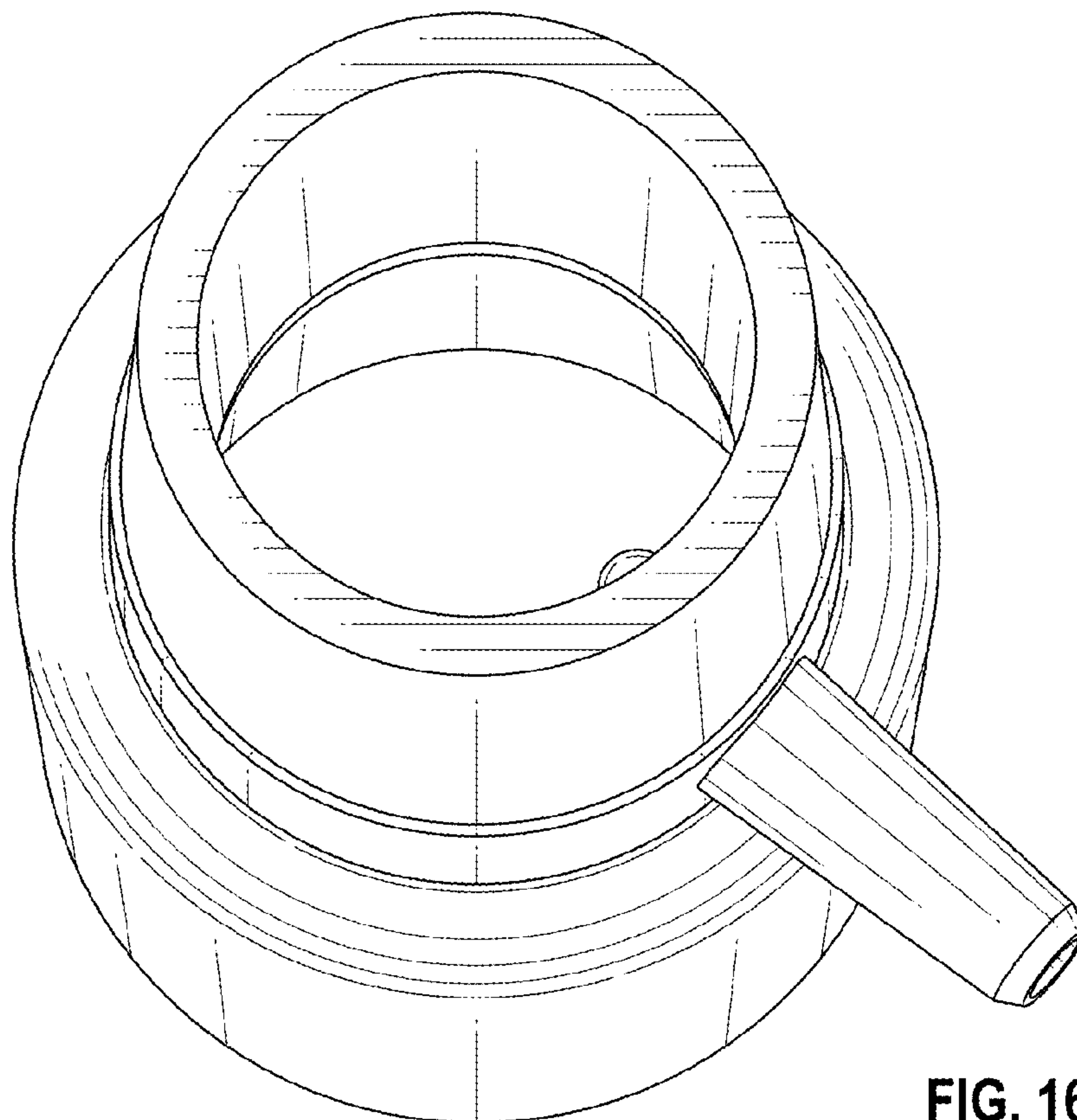


FIG. 16

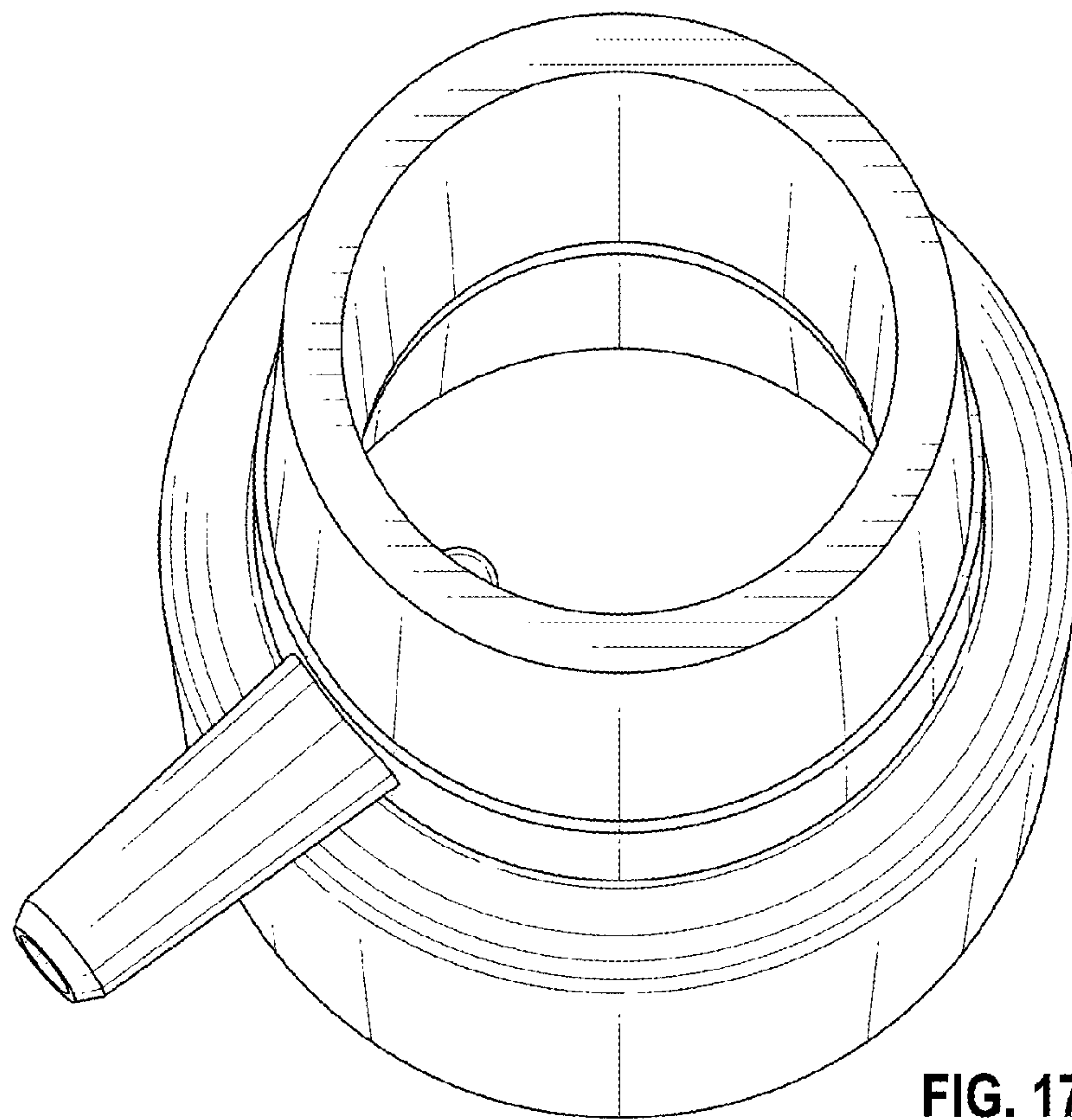


FIG. 17

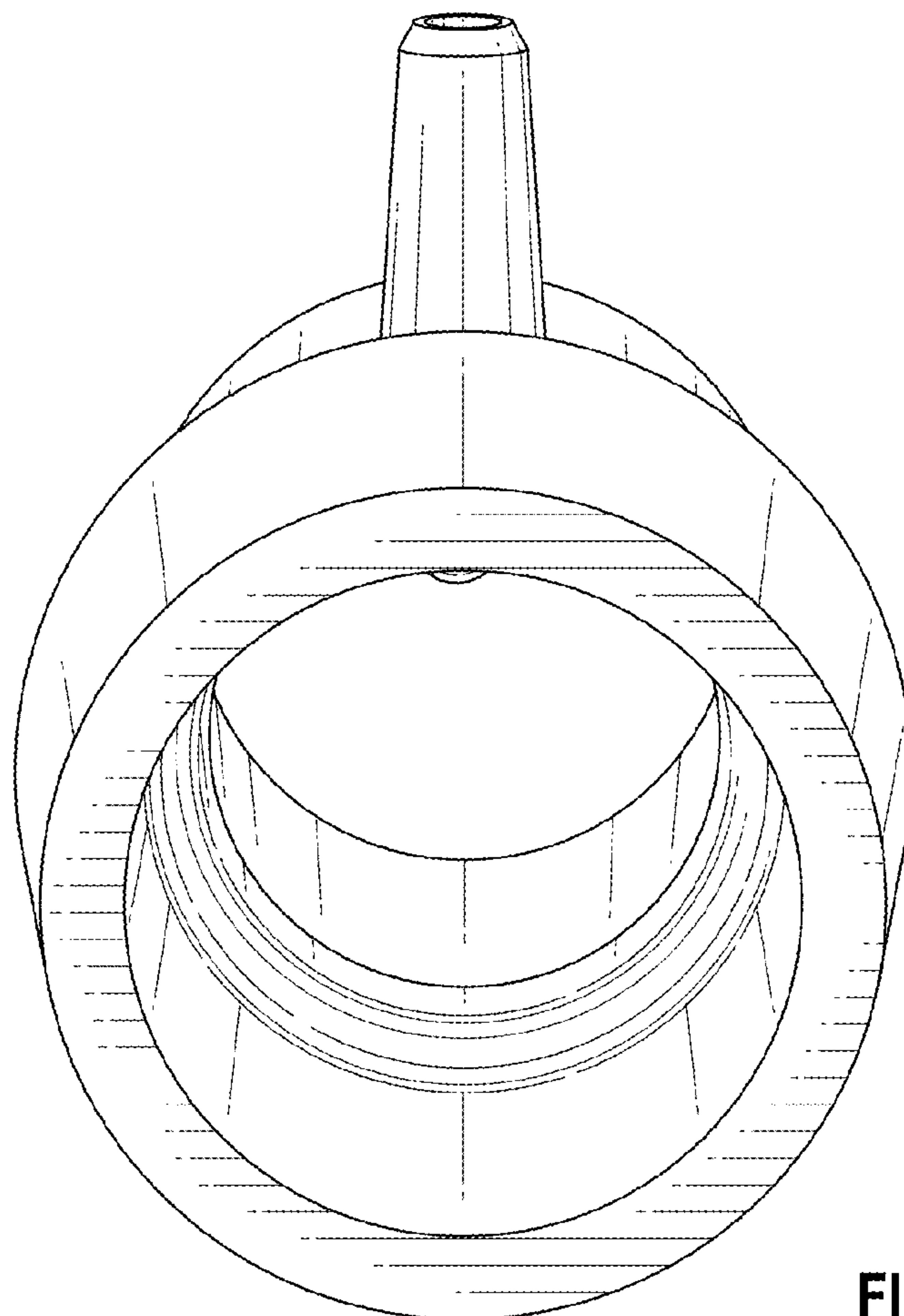


FIG. 18

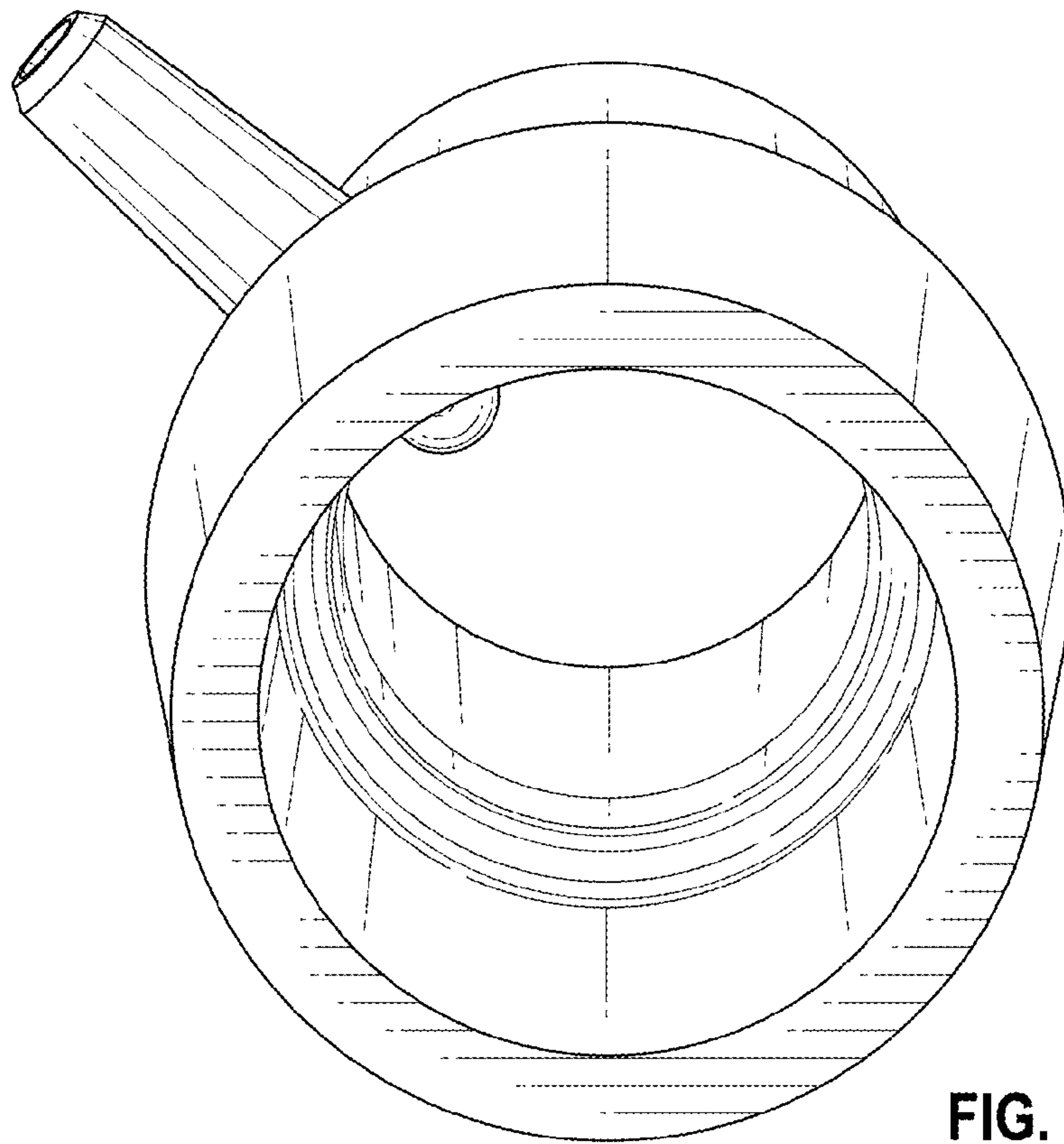


FIG. 19

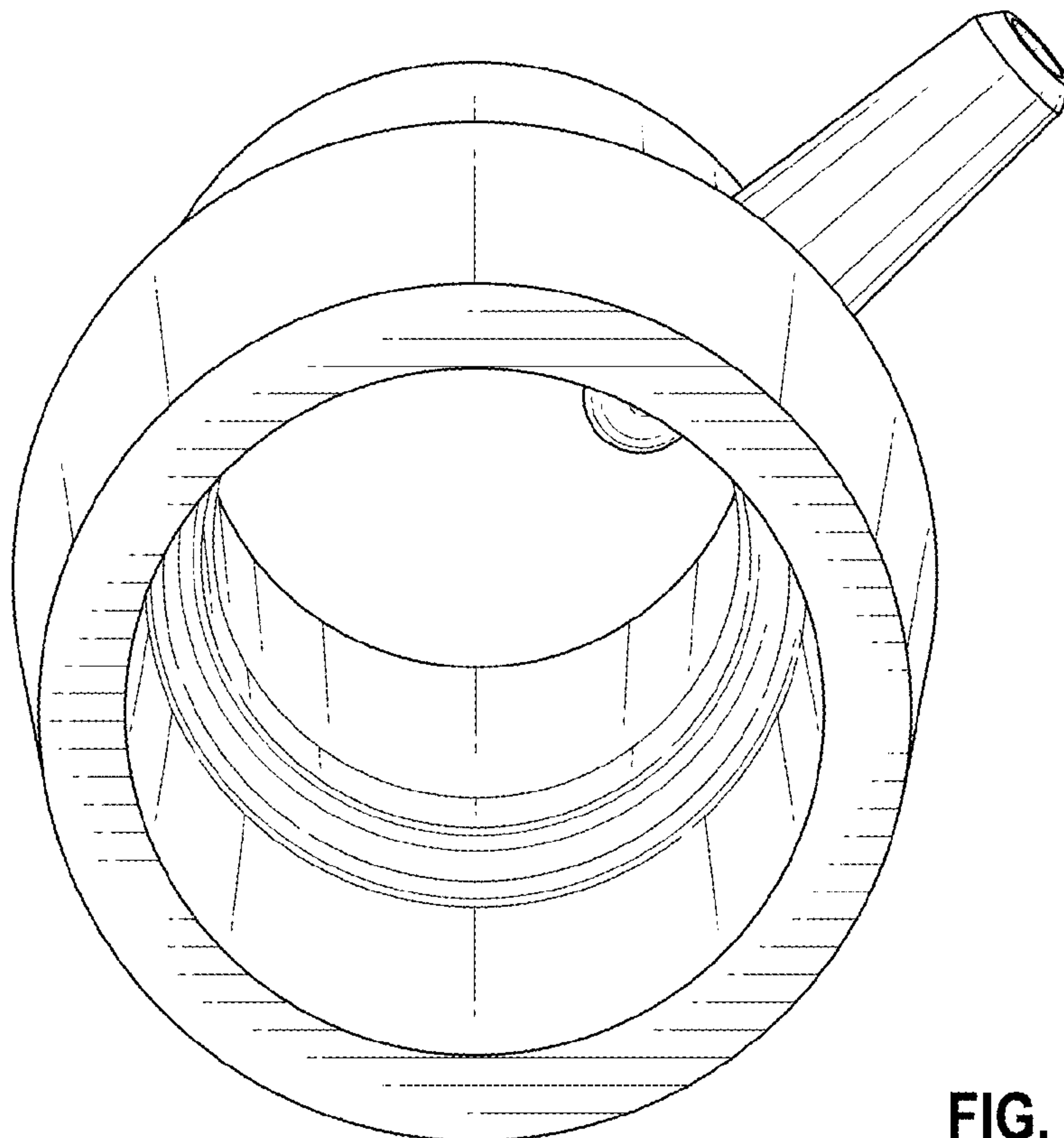


FIG. 20