



US00D944935S

(12) **United States Design Patent**  
**Park**

(10) **Patent No.:** **US D944,935 S**

(45) **Date of Patent:** **\*\* Mar. 1, 2022**

(54) **FAUCET SPOUT**

\* cited by examiner

(71) Applicant: **DELTA FAUCET COMPANY,**  
Indianapolis, IN (US)

*Primary Examiner* — Robert A Delehanty

(72) Inventor: **Maris Park,** McCordsville, IN (US)

(74) *Attorney, Agent, or Firm* — Nirav D. Parikh; Edgar  
A. Zarins

(73) Assignee: **DELTA FAUCET COMPANY,**  
Indianapolis, IN (US)

(\*\*) Term: **15 Years**

(21) Appl. No.: **29/738,132**

(22) Filed: **Jun. 15, 2020**

(51) **LOC (13) Cl.** ..... **23-01**

(52) **U.S. Cl.**  
USPC ..... **D23/255**

(58) **Field of Classification Search**  
USPC ..... D23/241–243, 255, 257; D8/307–308  
See application file for complete search history.

(56) **References Cited**

U.S. PATENT DOCUMENTS

D479,740 S	*	9/2003	Citterio	.....	D23/242
D580,527 S	*	11/2008	Zhang	.....	D23/255
D639,394 S	*	6/2011	Citterio	.....	D23/238
D889,609 S	*	7/2020	Takahashi	.....	D23/255

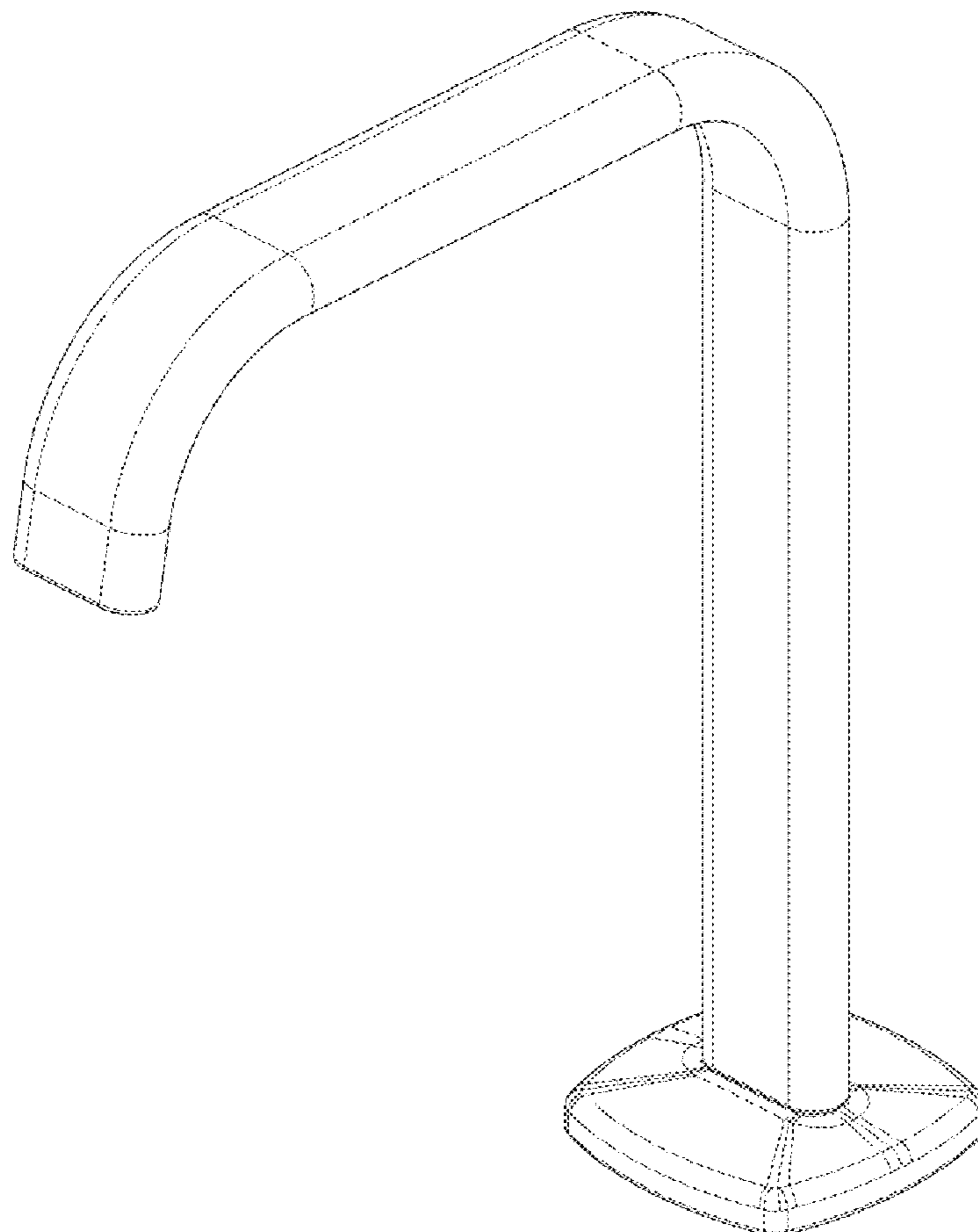
(57) **CLAIM**

The ornamental design for a faucet spout, as shown and described.

**DESCRIPTION**

FIG. 1 is a front perspective view of a faucet spout showing my new design;  
FIG. 2 is a rear perspective view thereof;  
FIG. 3 is a front elevational view thereof;  
FIG. 4 is a left side view thereof;  
FIG. 5 is a rear view thereof;  
FIG. 6 is a right side view thereof;  
FIG. 7 is a top plan view thereof; and,  
FIG. 8 is a bottom view thereof.

**1 Claim, 4 Drawing Sheets**



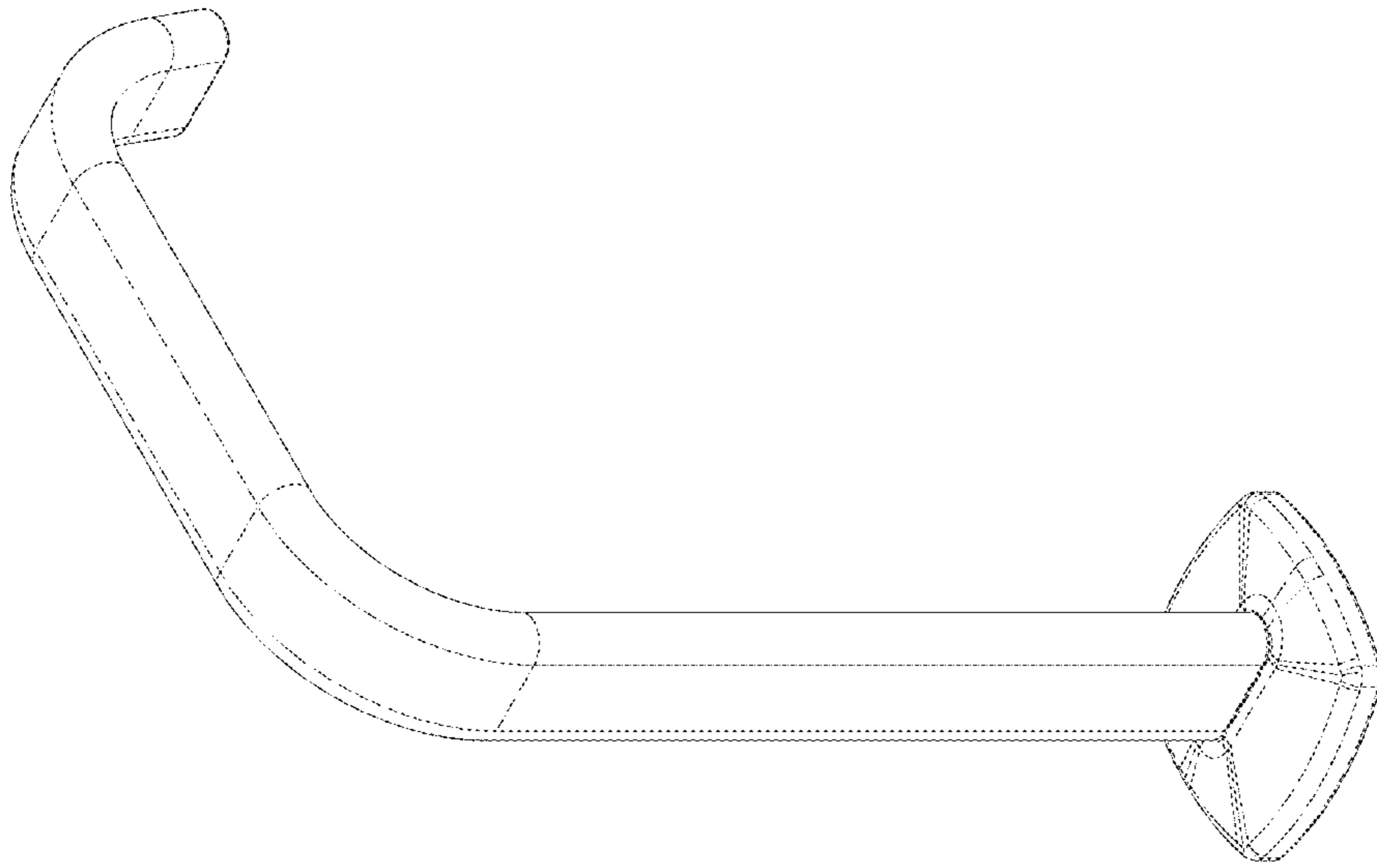


FIG - 2

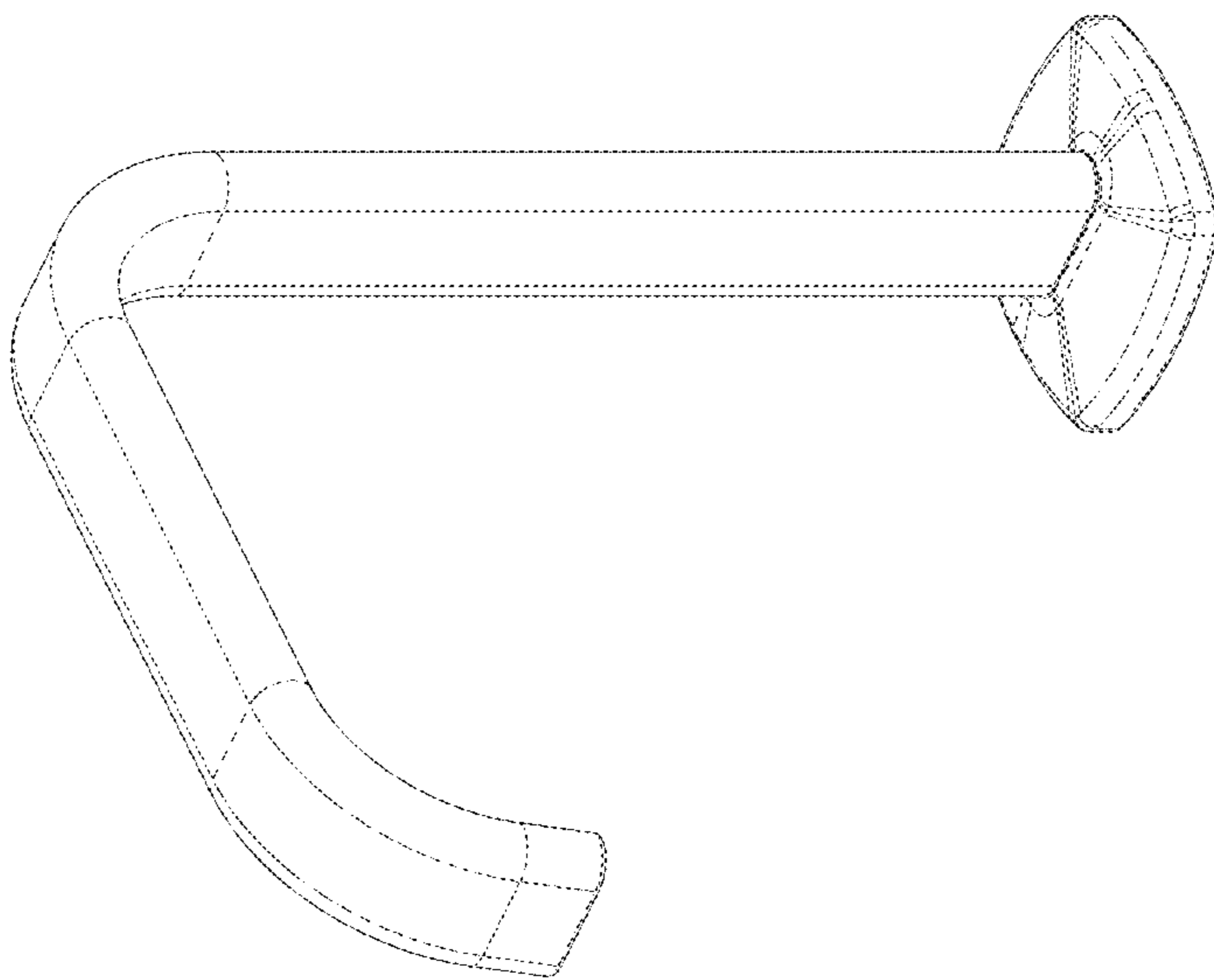


FIG - 1

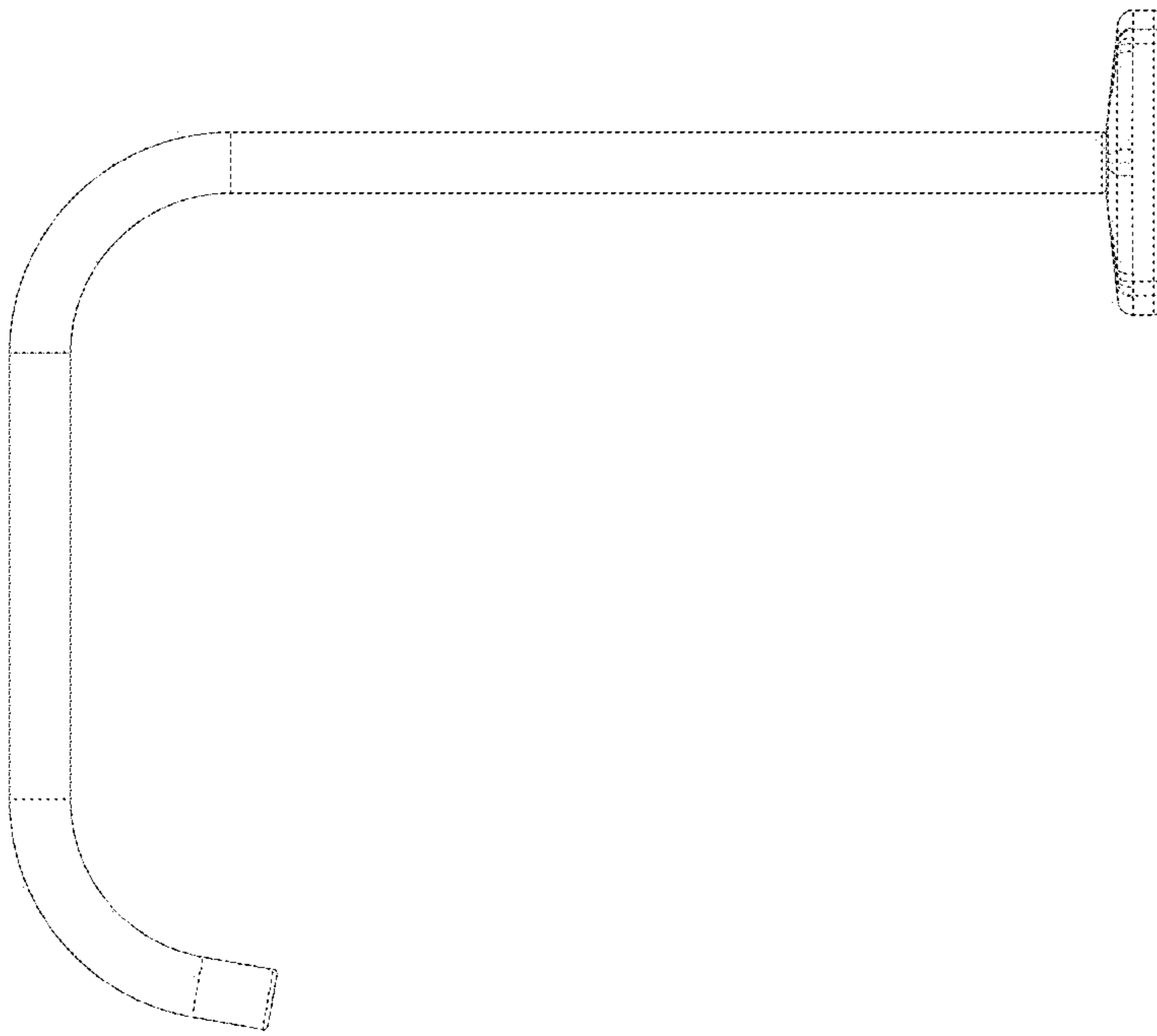


FIG - 4



FIG - 3

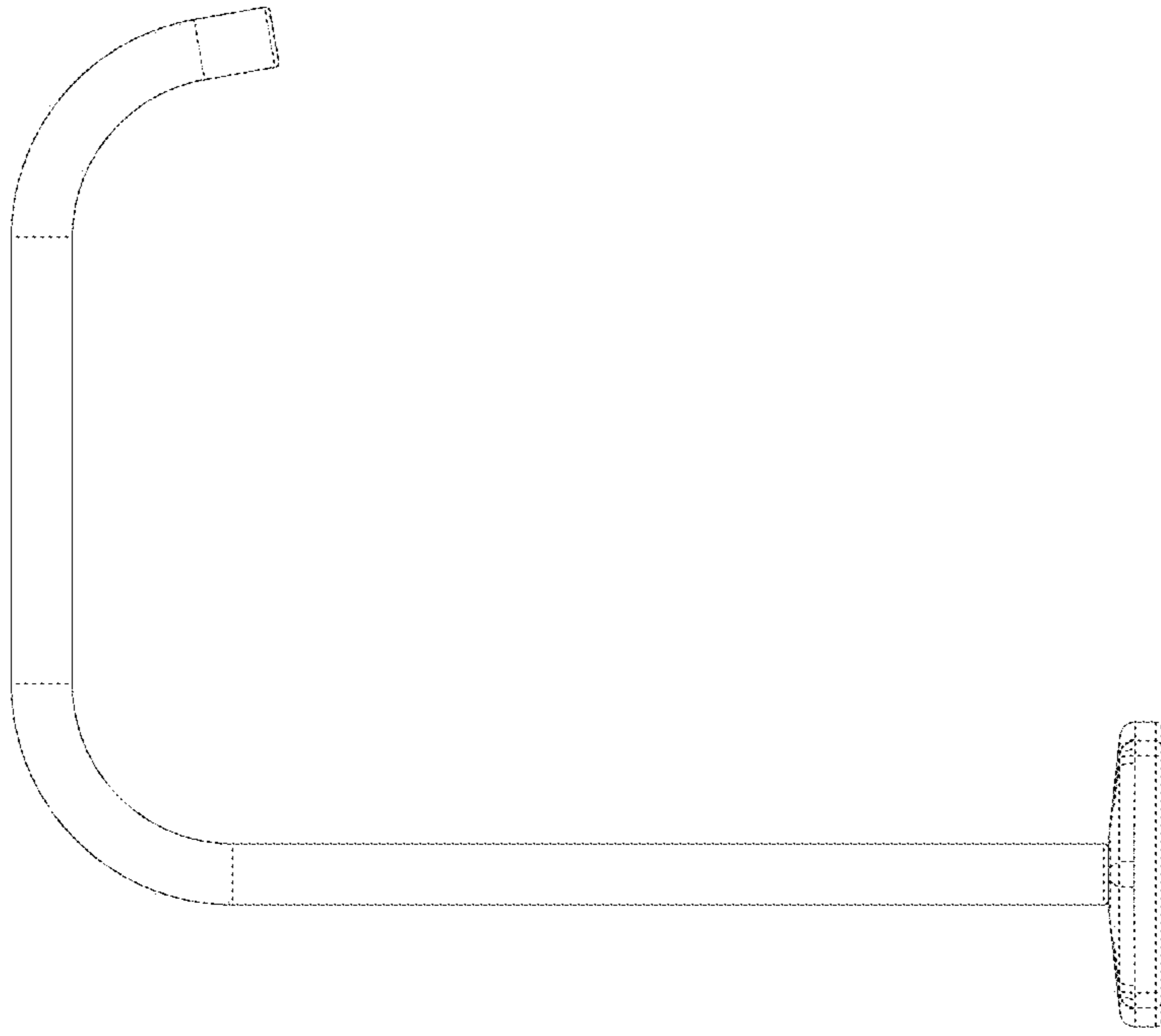


FIG - 6



FIG - 5

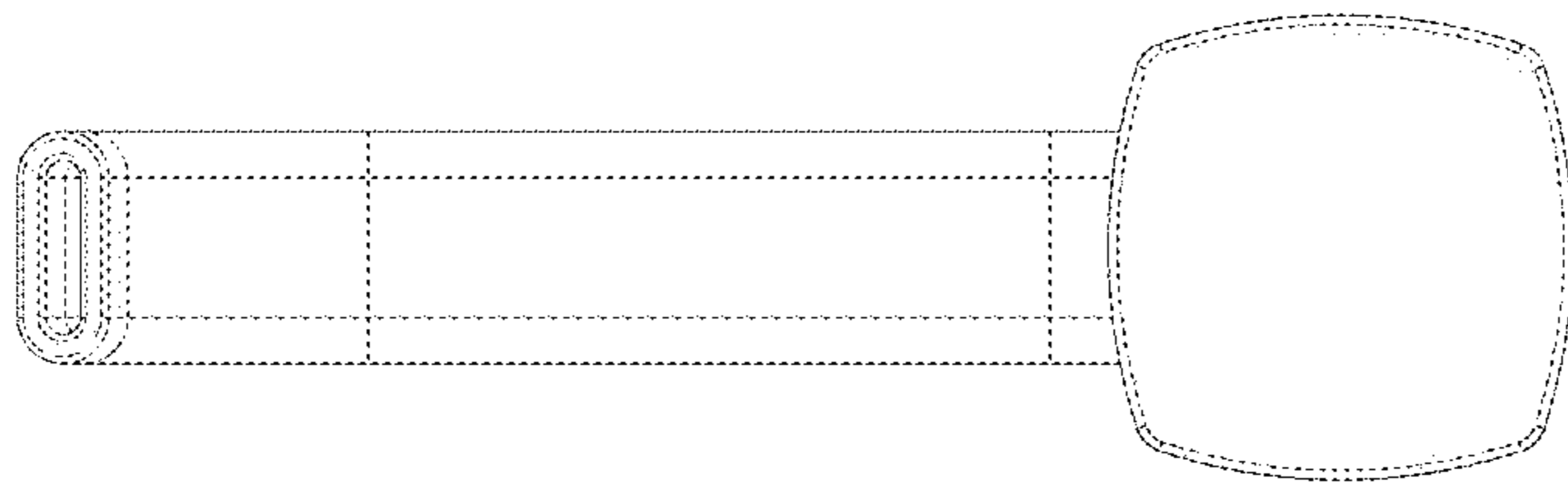


FIG - 8

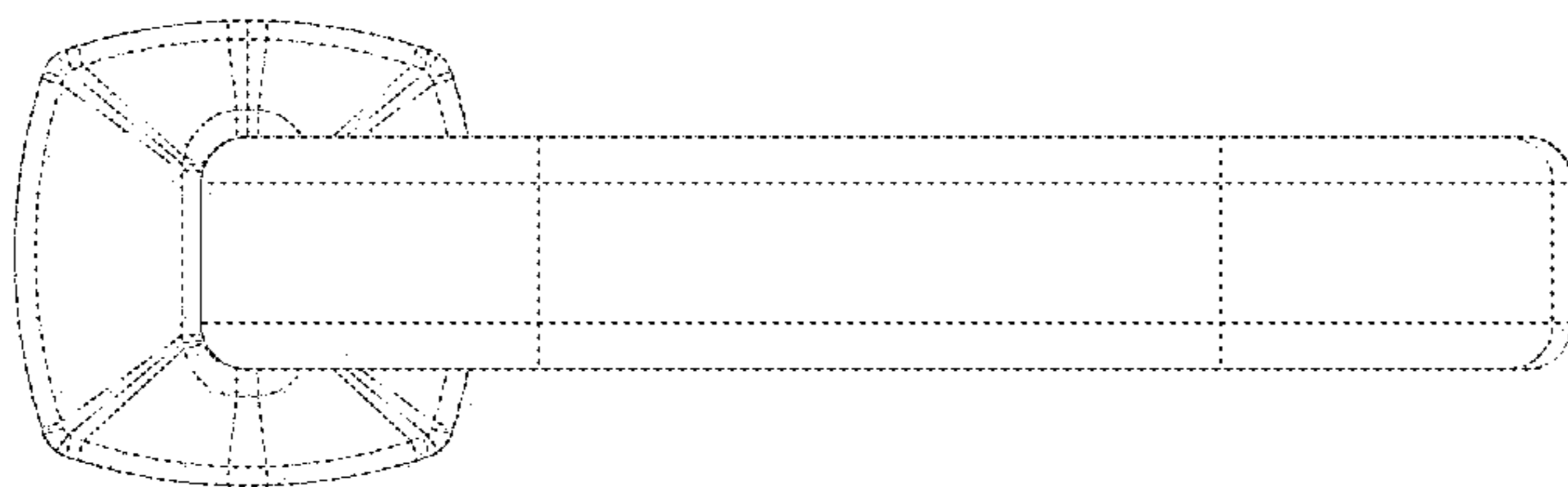


FIG - 7