



US00D944933S

(12) **United States Design Patent**
Park

(10) **Patent No.:** **US D944,933 S**

(45) **Date of Patent:** **** Mar. 1, 2022**

(54) **SHOWER ARM**

(71) Applicant: **DELTA FAUCET COMPANY,**
Indianapolis, IN (US)

(72) Inventor: **Maris Park,** McCordsville, IN (US)

(73) Assignee: **DELTA FAUCET COMPANY,**
Indianapolis, IN (US)

(**) Term: **15 Years**

(21) Appl. No.: **29/737,694**

(22) Filed: **Jun. 11, 2020**

(51) **LOC (13) Cl.** **23-01**

(52) **U.S. Cl.**
USPC **D23/255**

(58) **Field of Classification Search**
USPC D23/241–243, 255, 257, 228
See application file for complete search history.

(56) **References Cited**

U.S. PATENT DOCUMENTS

2,031,679 A * 2/1936 Tjaarda E03C 1/042
137/342
D810,234 S * 2/2018 Winter D23/213

D810,244 S * 2/2018 Schoenherr D23/255
D831,164 S * 10/2018 Garuti D23/255
D865,133 S * 10/2019 Hoogendoorn D23/255
D879,918 S * 3/2020 Fritz D23/255
D929,545 S * 8/2021 Spangler D23/257

* cited by examiner

Primary Examiner — Robert A Delehanty

(74) *Attorney, Agent, or Firm* — Nirav D. Parikh; Edgar
A. Zarins

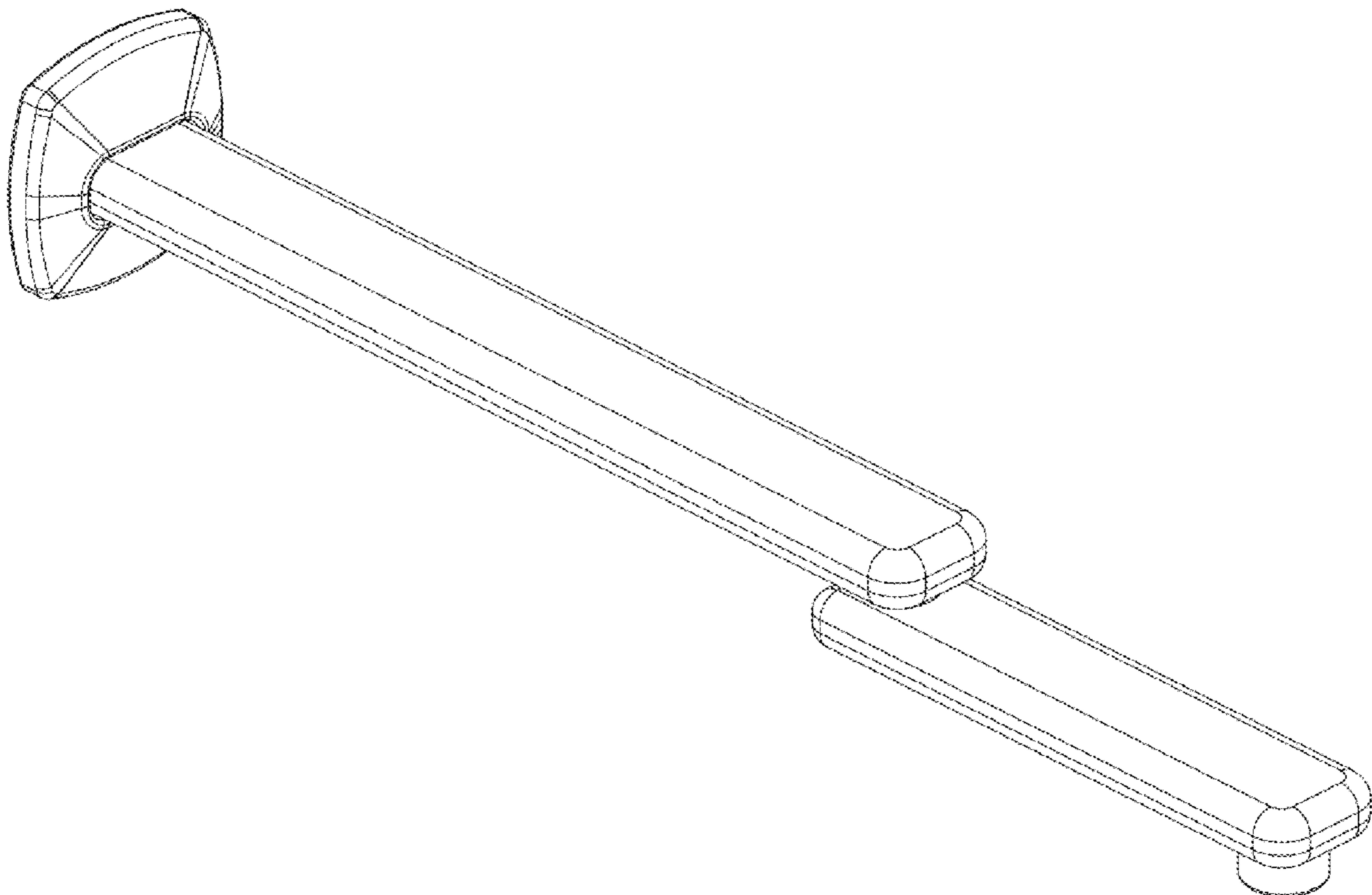
(57) **CLAIM**

The ornamental design for a shower arm, as shown and
described.

DESCRIPTION

FIG. 1 is a front perspective view of a shower arm showing
my new design;
FIG. 2 is a rear perspective view thereof;
FIG. 3 is a front elevational view thereof;
FIG. 4 is a left side view thereof;
FIG. 5 is a rear view thereof;
FIG. 6 is a right side view thereof;
FIG. 7 is a top plan view thereof; and,
FIG. 8 is a bottom view thereof.

1 Claim, 4 Drawing Sheets



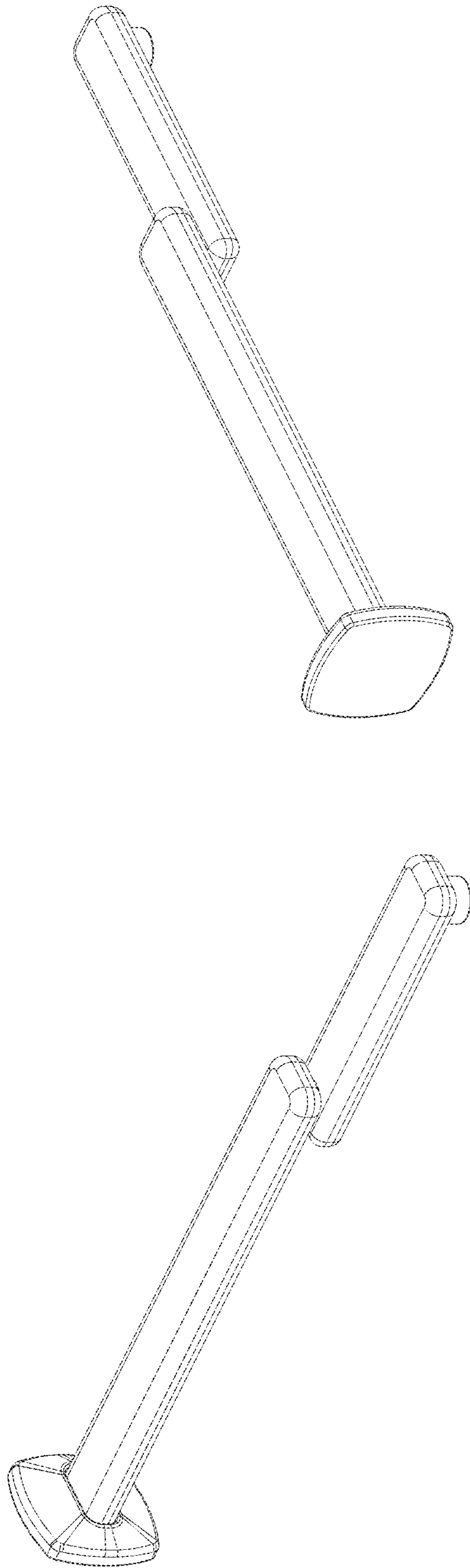


FIG-2

FIG-1

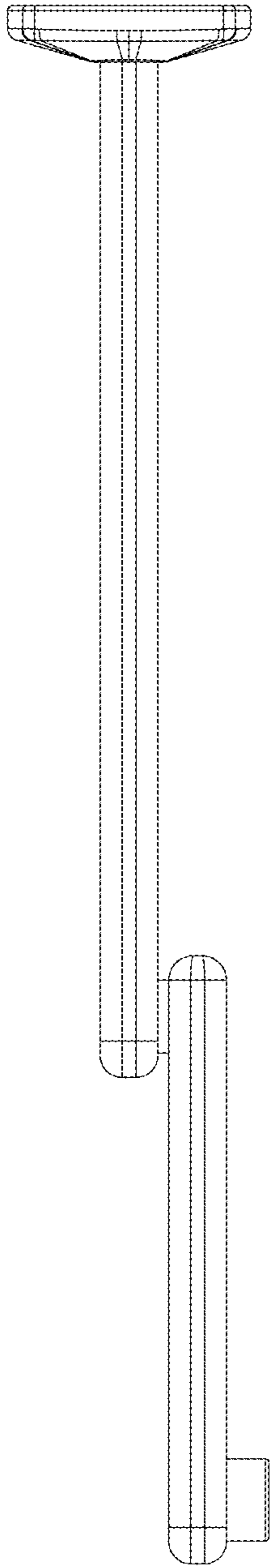


FIG-4

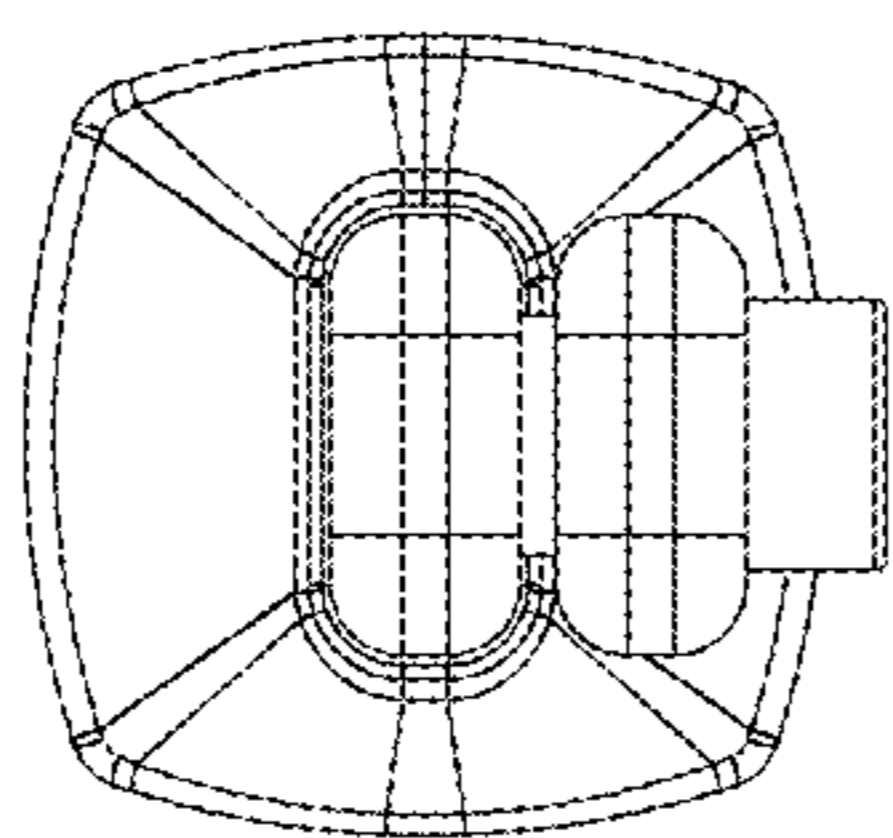


FIG-3

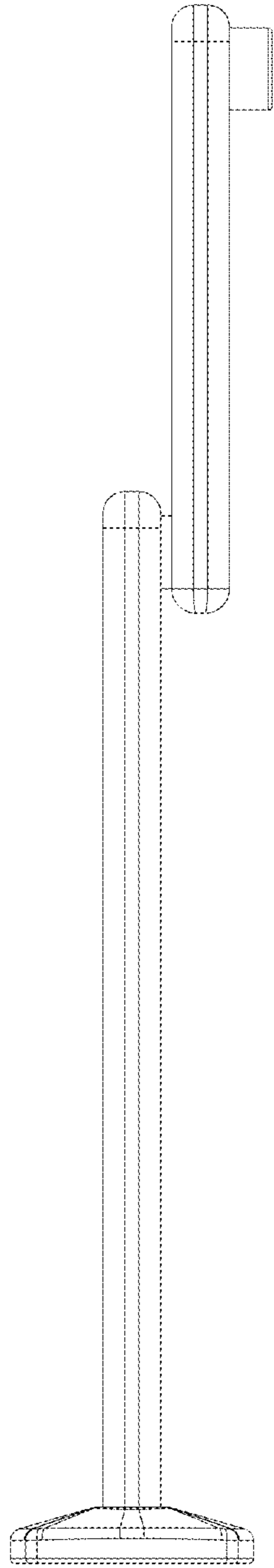


FIG-6

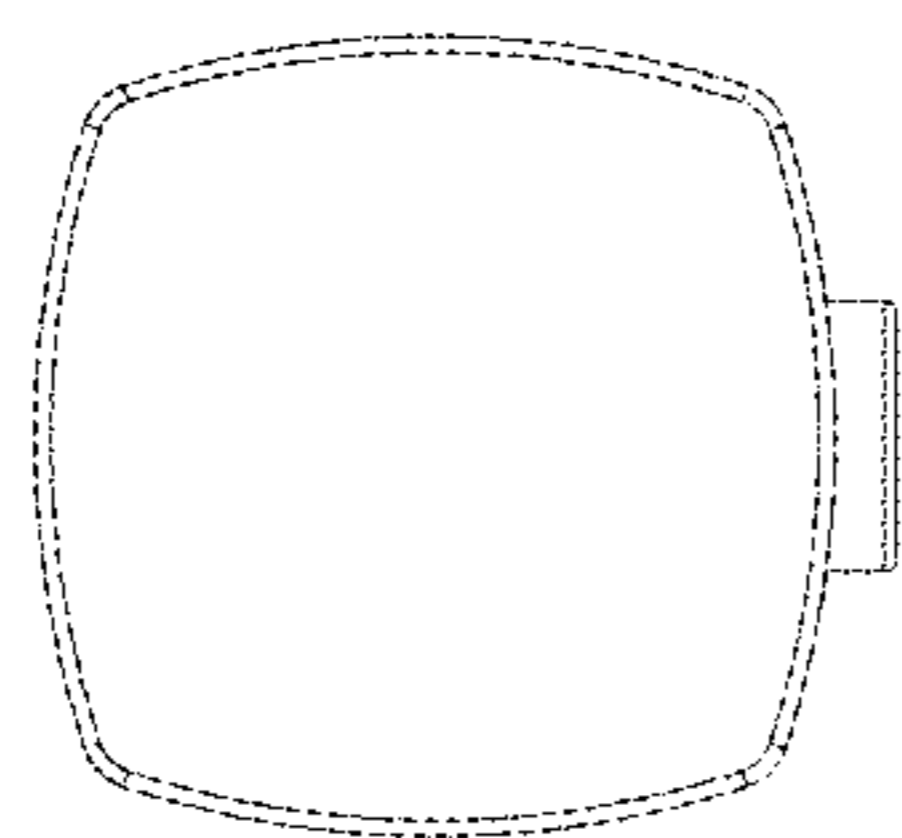


FIG-5

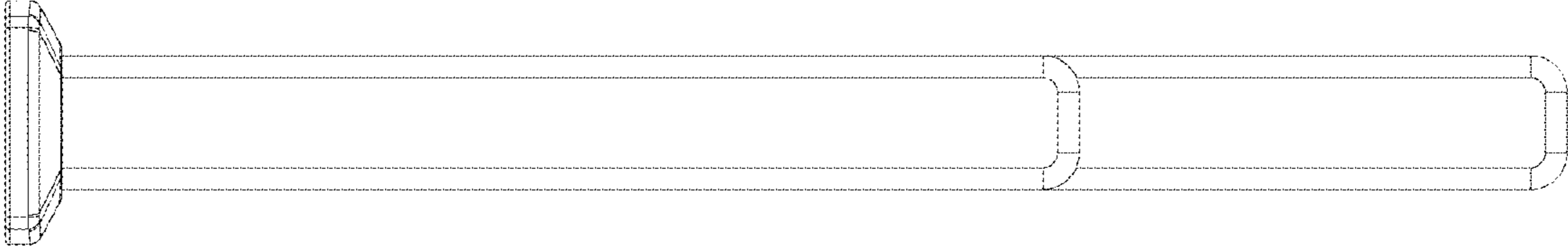


FIG-8

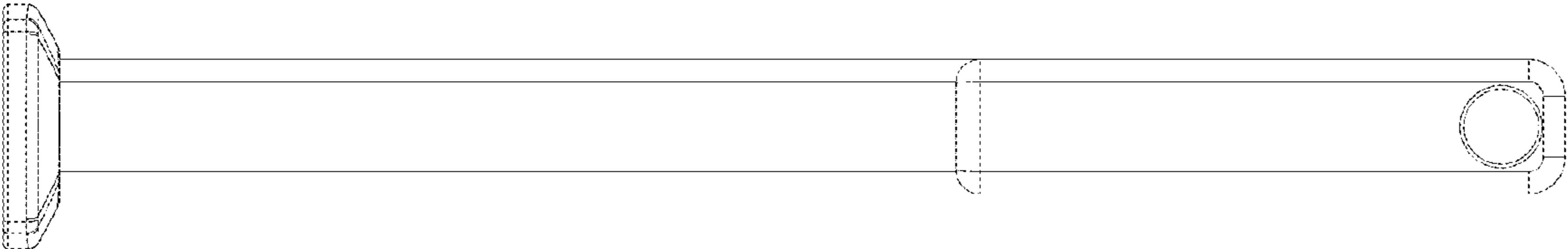


FIG-7