

US00D944932S

(12) **United States Design Patent** (10) **Patent No.:** **US D944,932 S**
Huang (45) **Date of Patent:** **** Mar. 1, 2022**

(54) **FAUCET HANDLE**

(71) Applicant: **Zhijia Huang**, Shenzhen (CN)

(72) Inventor: **Zhijia Huang**, Shenzhen (CN)

(**) Term: **15 Years**

(21) Appl. No.: **29/782,732**

(22) Filed: **May 8, 2021**

(51) **LOC (13) Cl.** **23-01**

(52) **U.S. Cl.**
USPC **D23/252**

(58) **Field of Classification Search**
USPC D23/238-243, 249-250, 252, 254;
D8/307-308

See application file for complete search history.

(56) **References Cited**

U.S. PATENT DOCUMENTS

D513,527 S *	1/2006	Ouyoung	D23/252
D583,016 S *	12/2008	Downey	D23/250
D651,287 S *	12/2011	Kwok	D23/252
D655,790 S *	3/2012	Kwok	D23/252
D792,561 S	7/2017	Fritz		
D792,952 S *	7/2017	Fritz	D23/252
D793,536 S	8/2017	Fritz et al.		
D796,641 S *	9/2017	Liao	D23/252
D797,894 S	9/2017	Fritz		
D800,268 S	10/2017	Garland		
D811,542 S	2/2018	Bennett		
D839,391 S	1/2019	Eads et al.		
D851,219 S *	6/2019	Chen	D23/252
D896,347 S *	9/2020	Lazarini	D23/238

OTHER PUBLICATIONS

Kohler Forte Faucet: <https://www.homedepot.com/p/KOHLER-Forte-8-in-Widespread-2-Handle-Low-Arc-Bathroom-Faucet-in-Vibrant-Brushed-Nickel-with-Sculpted-Lever-Handles-K-10272-4-BN/100075906> (Year: 2021).*

Danco Replacement Lavatory Faucet Handle for American Standard in Chrome: https://www.homedepot.com/p/DANCO-Replacement-Lavatory-Faucet-Handle-for-American-Standard-in-Chrome-10787/206372132?MERCH=REC-_rv_gm_pip_rr_-_100075906_-_206372132_-_N (Year: 2021).*

* cited by examiner

Primary Examiner — Robert A Delehanty

(74) *Attorney, Agent, or Firm* — Rumit Ranjit Kanakia

(57) **CLAIM**

I claim the ornamental design for a faucet handle, as shown and described.

DESCRIPTION

FIG. 1 is a Perspective view of a faucet handle showing my new design;

FIG. 2 is a Front view thereof;

FIG. 3 is a Back view thereof;

FIG. 4 is a Right-side view thereof;

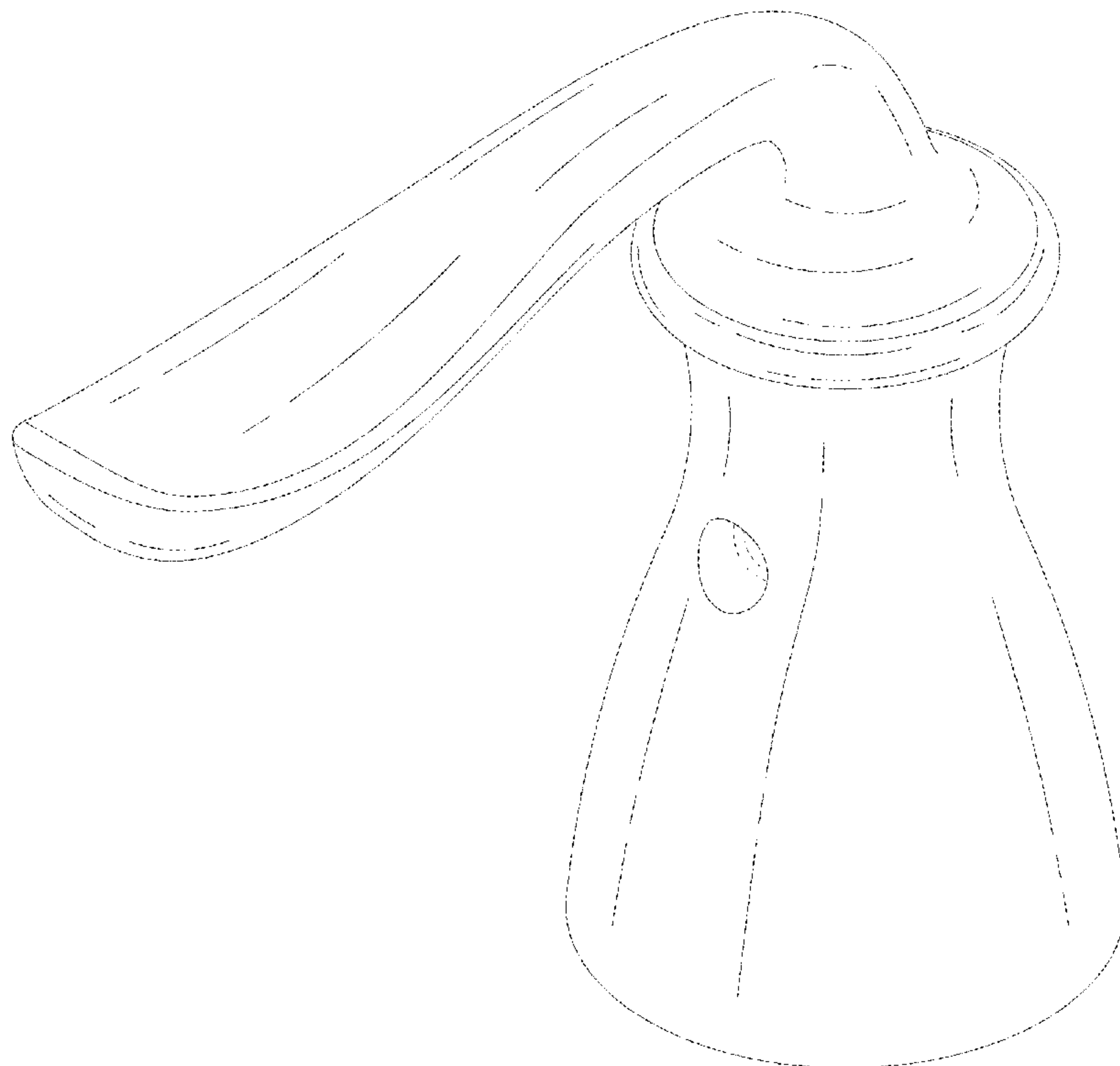
FIG. 5 is a Left-side view thereof;

FIG. 6 is a Top view thereof; and,

FIG. 7 is a Bottom view thereof.

The broken lines in the drawings depict portions of the faucet handle that form no part of the claimed design.

1 Claim, 7 Drawing Sheets



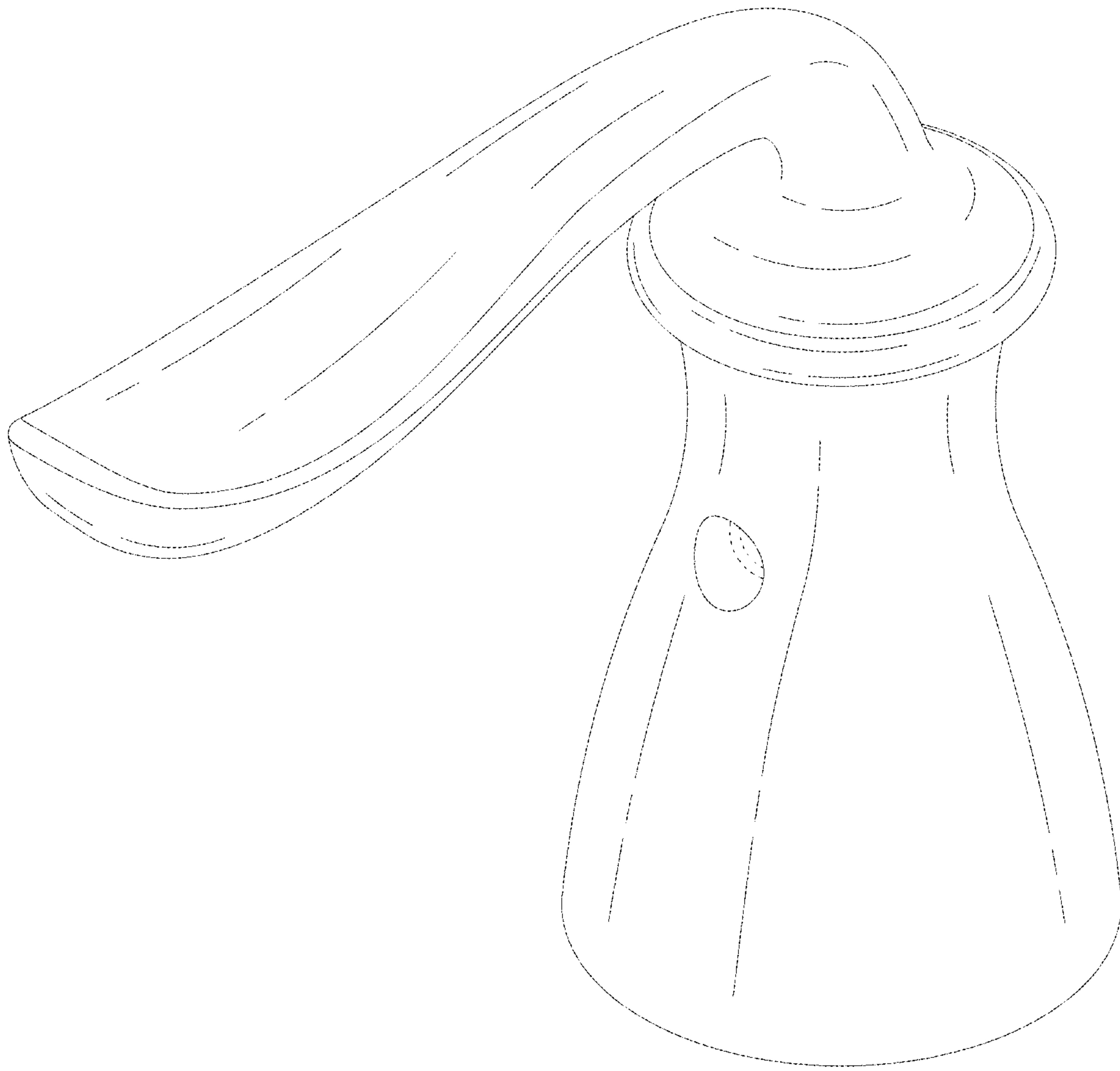


FIG. 1

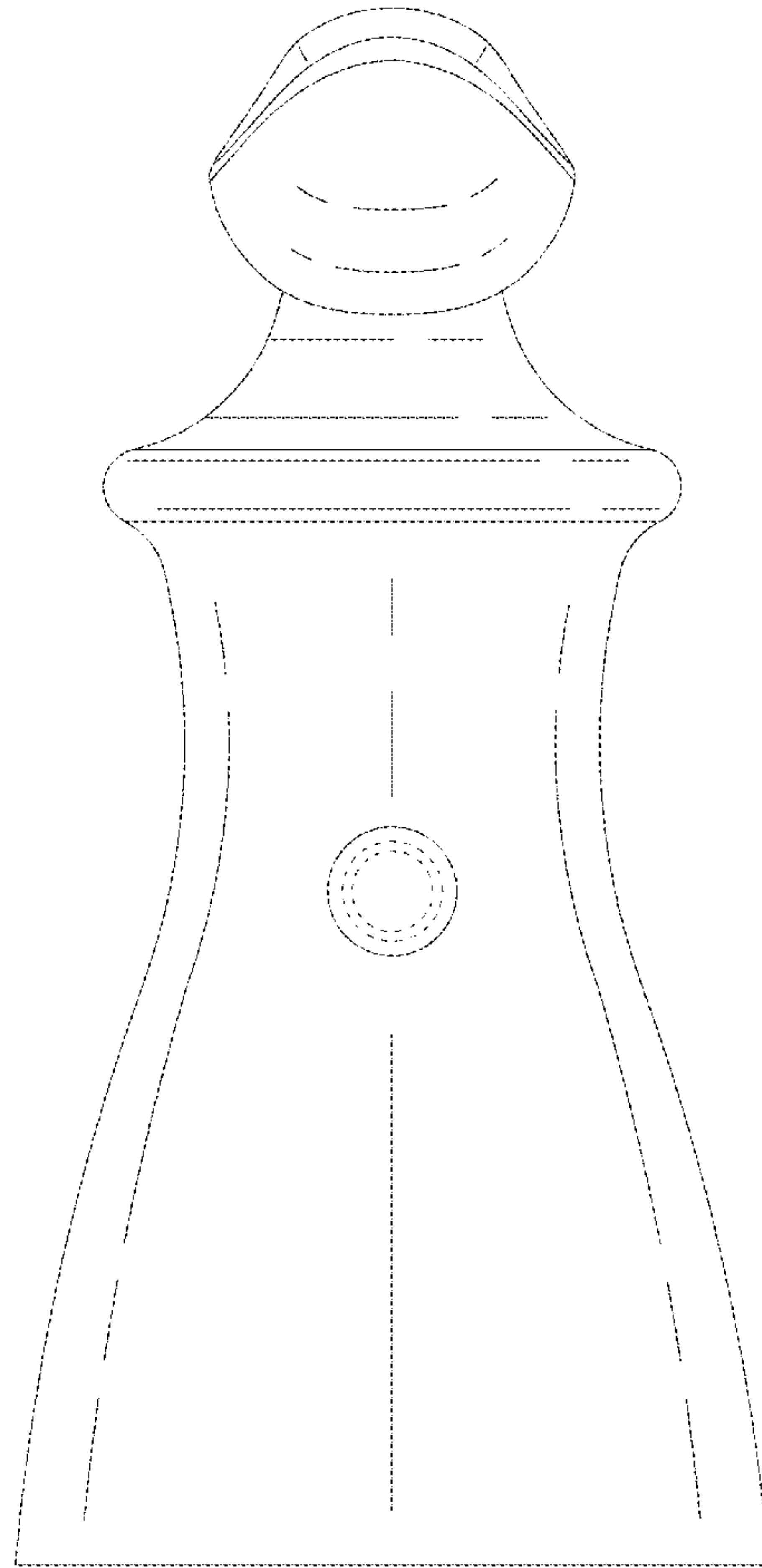


FIG. 2

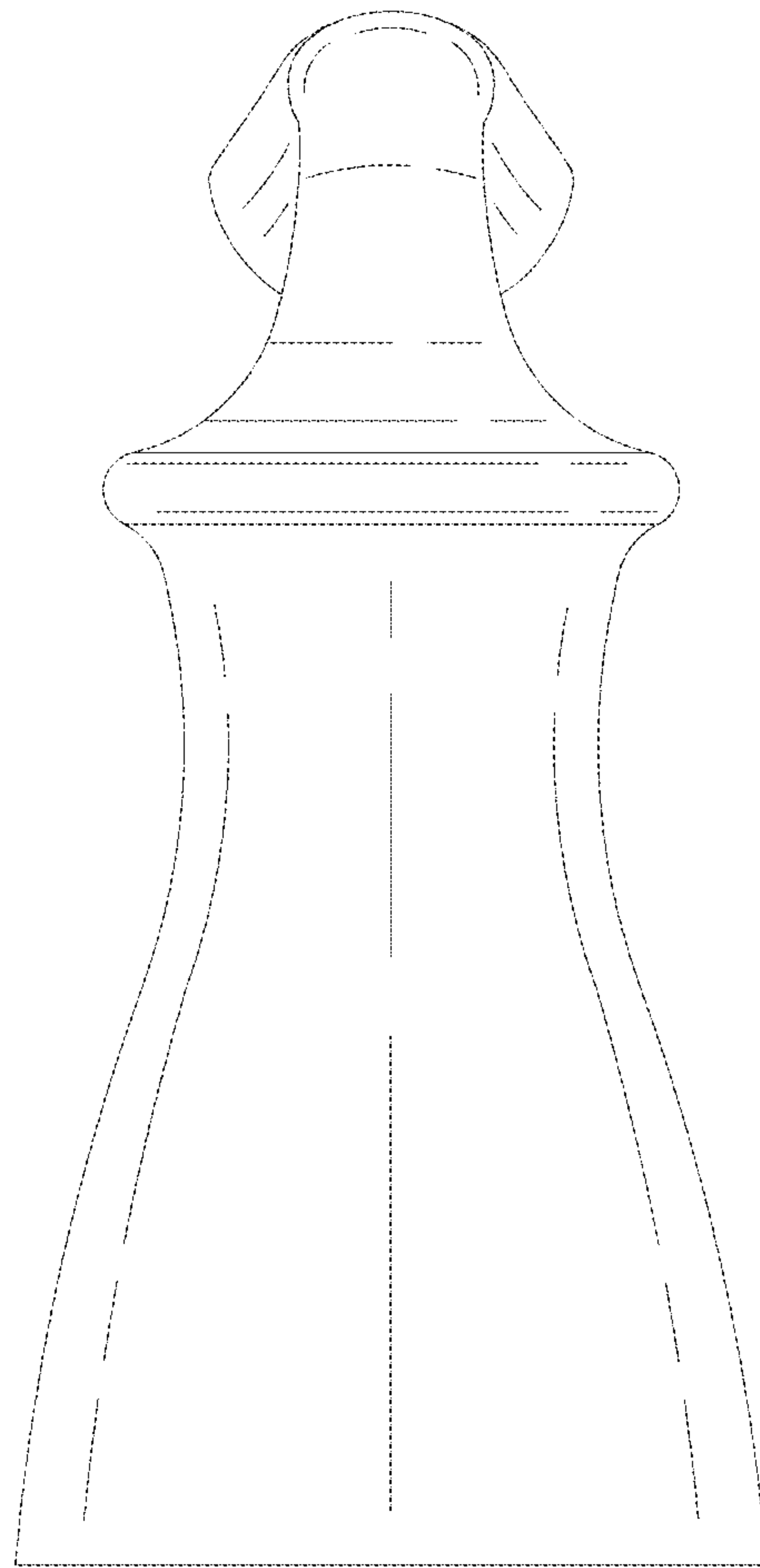


FIG. 3

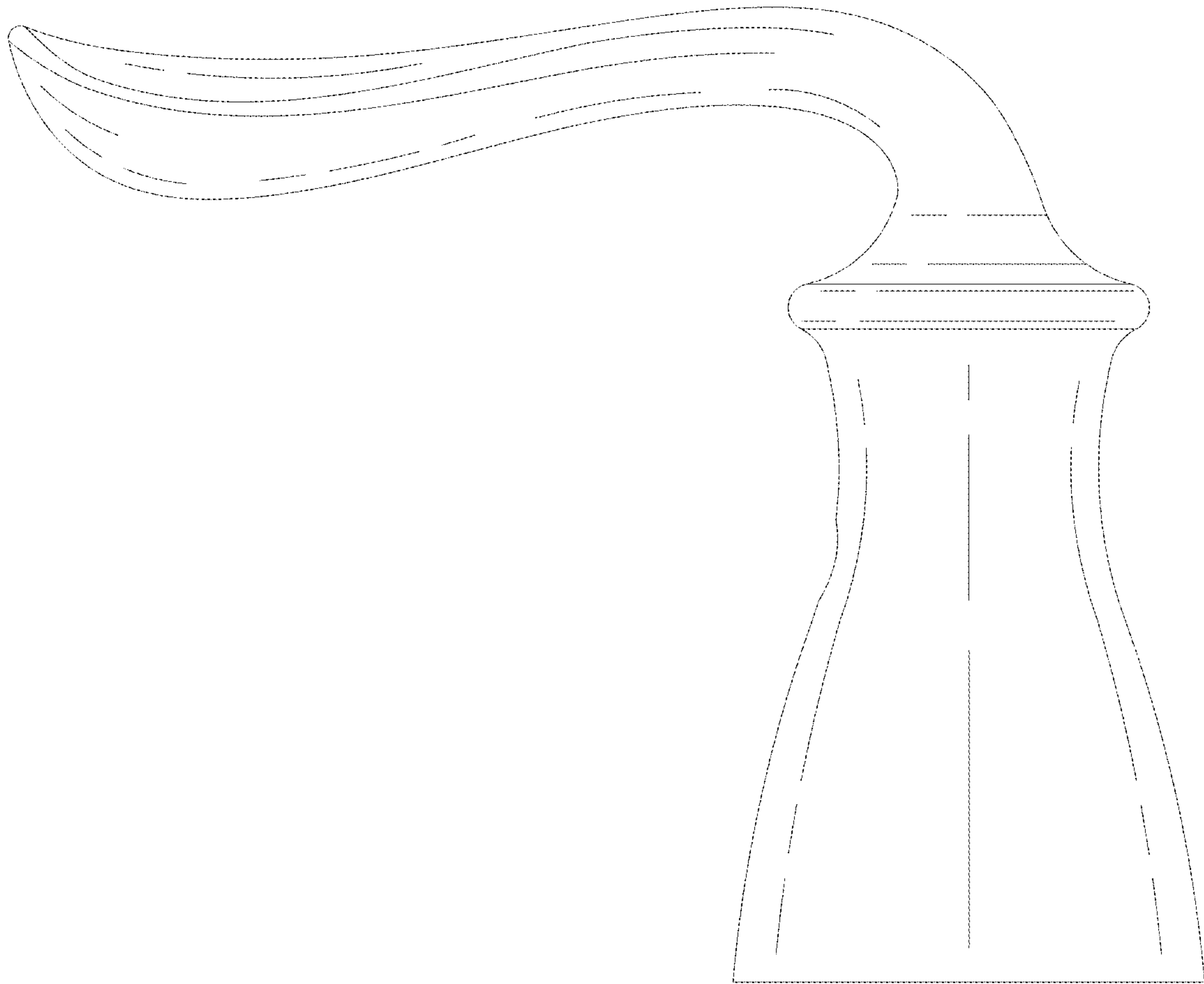


FIG. 4

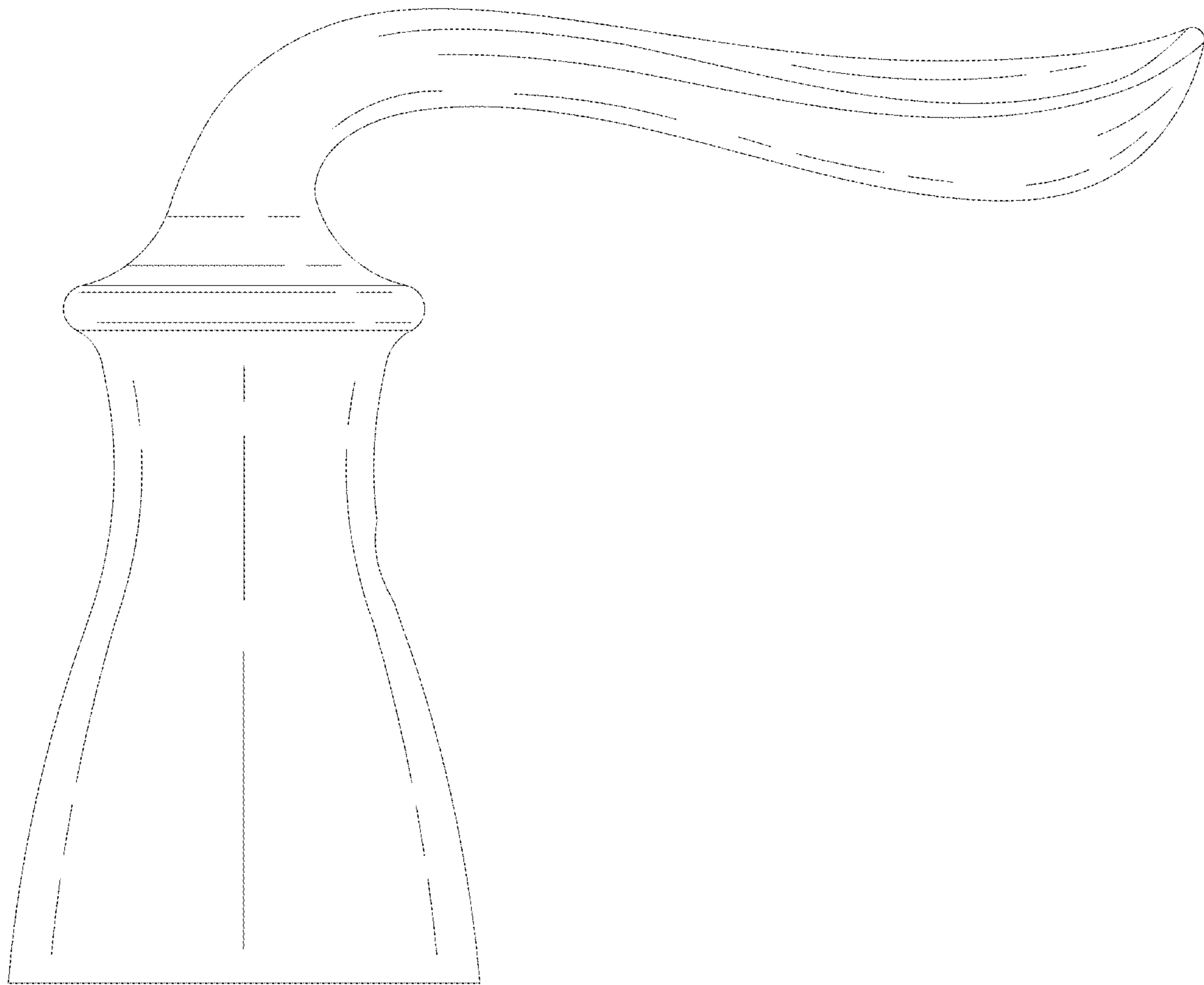


FIG. 5

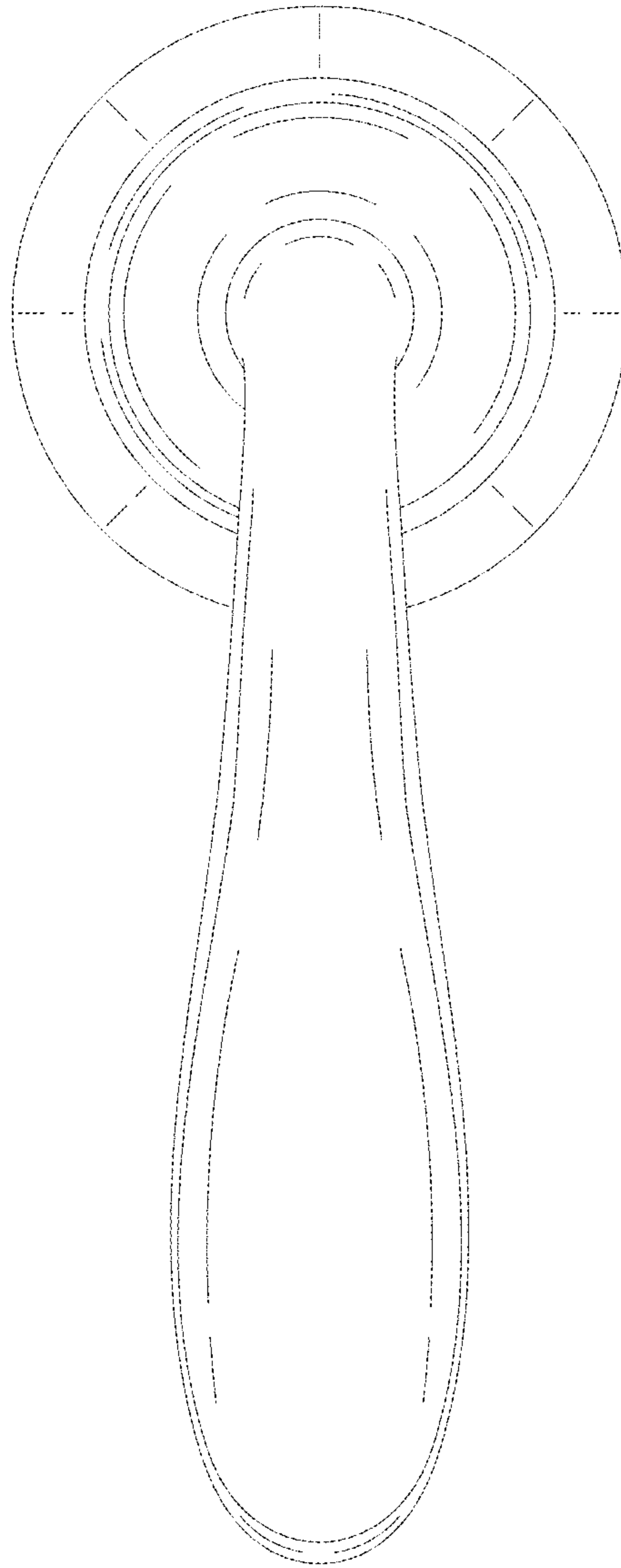


FIG. 6

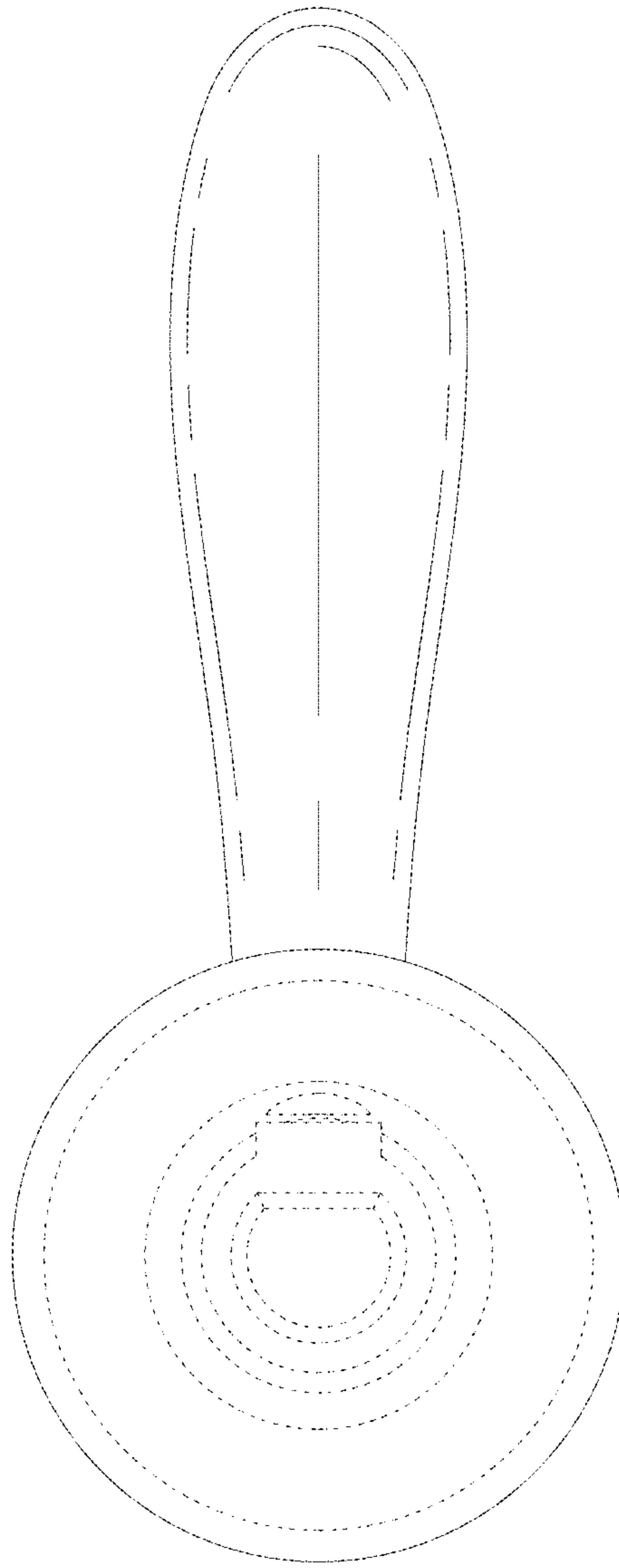


FIG. 7