



US00D944931S

(12) **United States Design Patent**
Thibodeaux, Jr.

(10) **Patent No.:** **US D944,931 S**

(45) **Date of Patent:** **** Mar. 1, 2022**

(54) **VALVE ASSEMBLY**

(71) Applicant: **RELIANCE WORLDWIDE CORPORATION**, Atlanta, GA (US)

(72) Inventor: **Albert William Thibodeaux, Jr.**, Cullman, AL (US)

(73) Assignee: **Reliance Worldwide Corporation**, Atlanta, GA (US)

(**) Term: **15 Years**

(21) Appl. No.: **29/687,840**

(22) Filed: **Apr. 16, 2019**

(51) **LOC (13) Cl.** **23-03**

(52) **U.S. Cl.**
USPC **D23/245**

(58) **Field of Classification Search**
USPC D23/233–237, 241–249
CPC F16K 31/605; F16K 11/0782; F16K 1/16;
F16K 11/105

See application file for complete search history.

(56) **References Cited**

U.S. PATENT DOCUMENTS

D678,981 S * 3/2013 Shengyong D23/233
D722,362 S * 2/2015 Kluss D23/235

D794,165 S * 8/2017 Adey F16L 29/007
D23/233

D818,562 S * 5/2018 Yung D23/233

D857,172 S * 8/2019 Shinozaki D23/245

D886,953 S * 6/2020 Gabriel D23/245

* cited by examiner

Primary Examiner — Gino Colan

(74) *Attorney, Agent, or Firm* — Merchant & Gould P.C.

(57) **CLAIM**

I claim the ornamental design for a valve assembly, as shown and described.

DESCRIPTION

FIG. 1 is a front right perspective view of the claimed design;

FIG. 2 is a bottom left perspective view thereof;

FIG. 3 is a front view thereof;

FIG. 4 is a rear view thereof;

FIG. 5 is a right side view thereof;

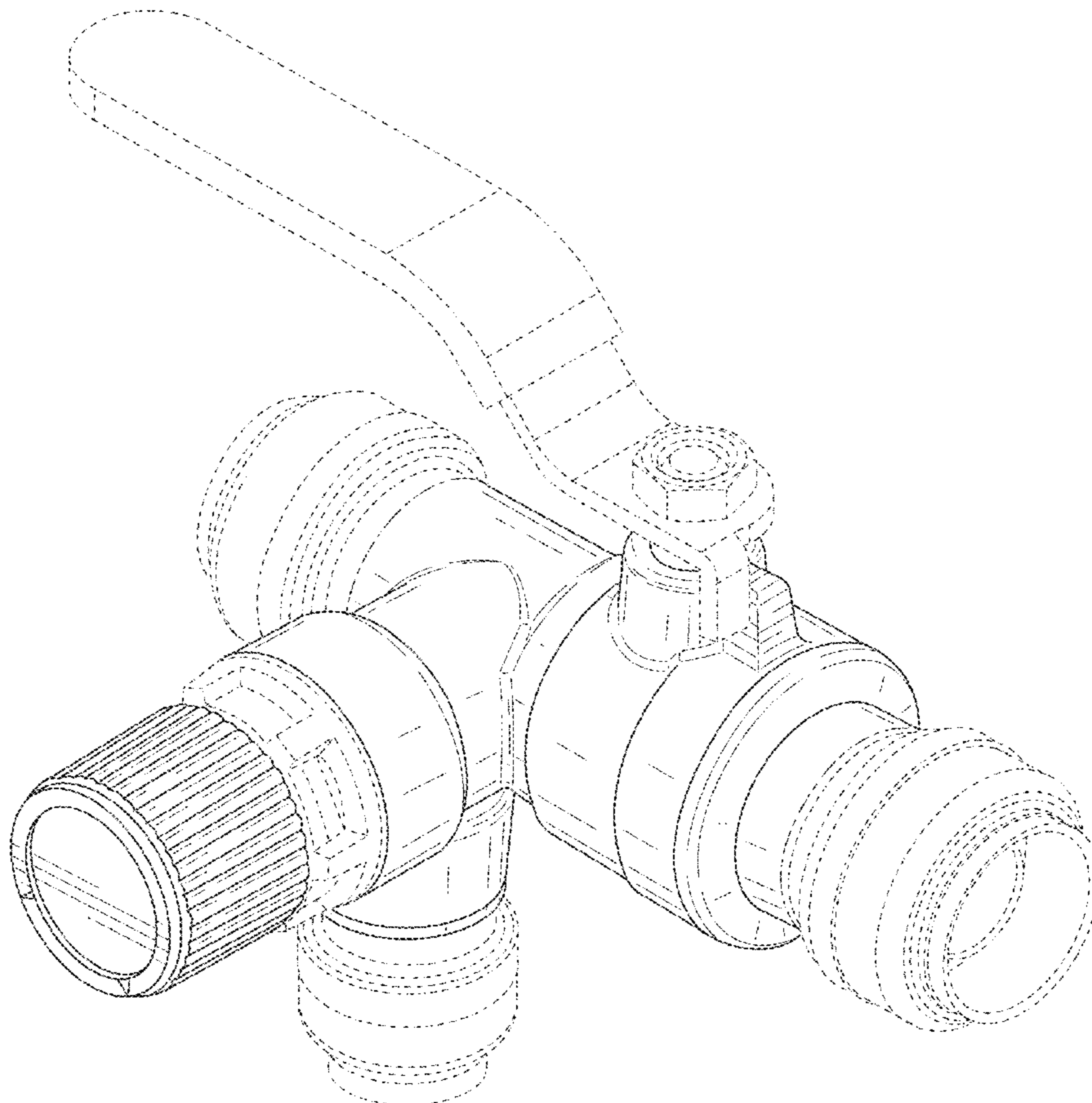
FIG. 6 is a left side view thereof;

FIG. 7 is a top view thereof; and,

FIG. 8 is a bottom view thereof.

The broken lines formed by equal length dashes shown in the figures are for the purpose of illustrating portions of the valve assembly that form no part of the claimed design. The broken lines formed by unequal length dashes (i.e., dash-dot) shown in the figures are for the purpose of defining bounds of the claimed design.

1 Claim, 5 Drawing Sheets



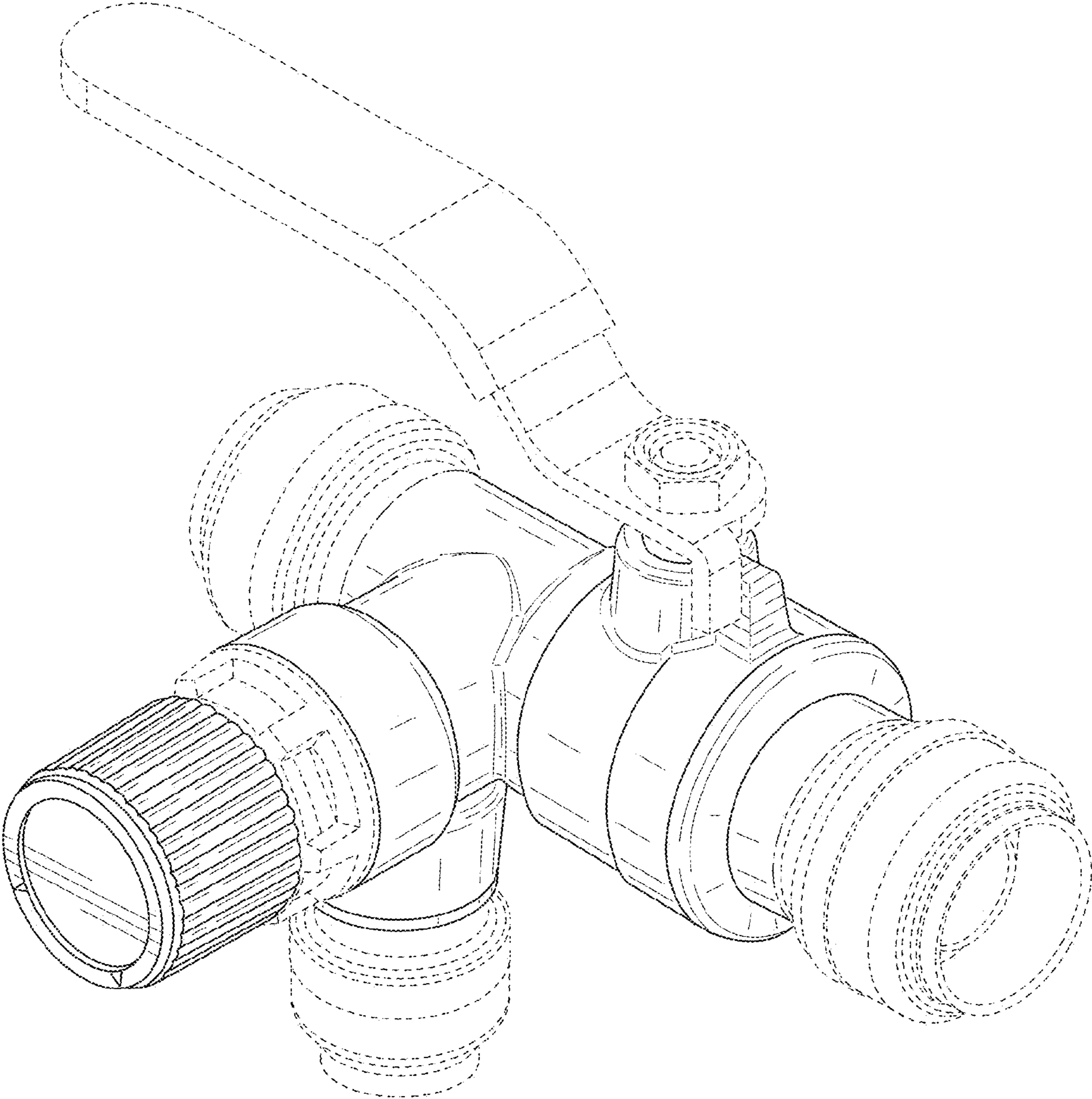


FIG. 1

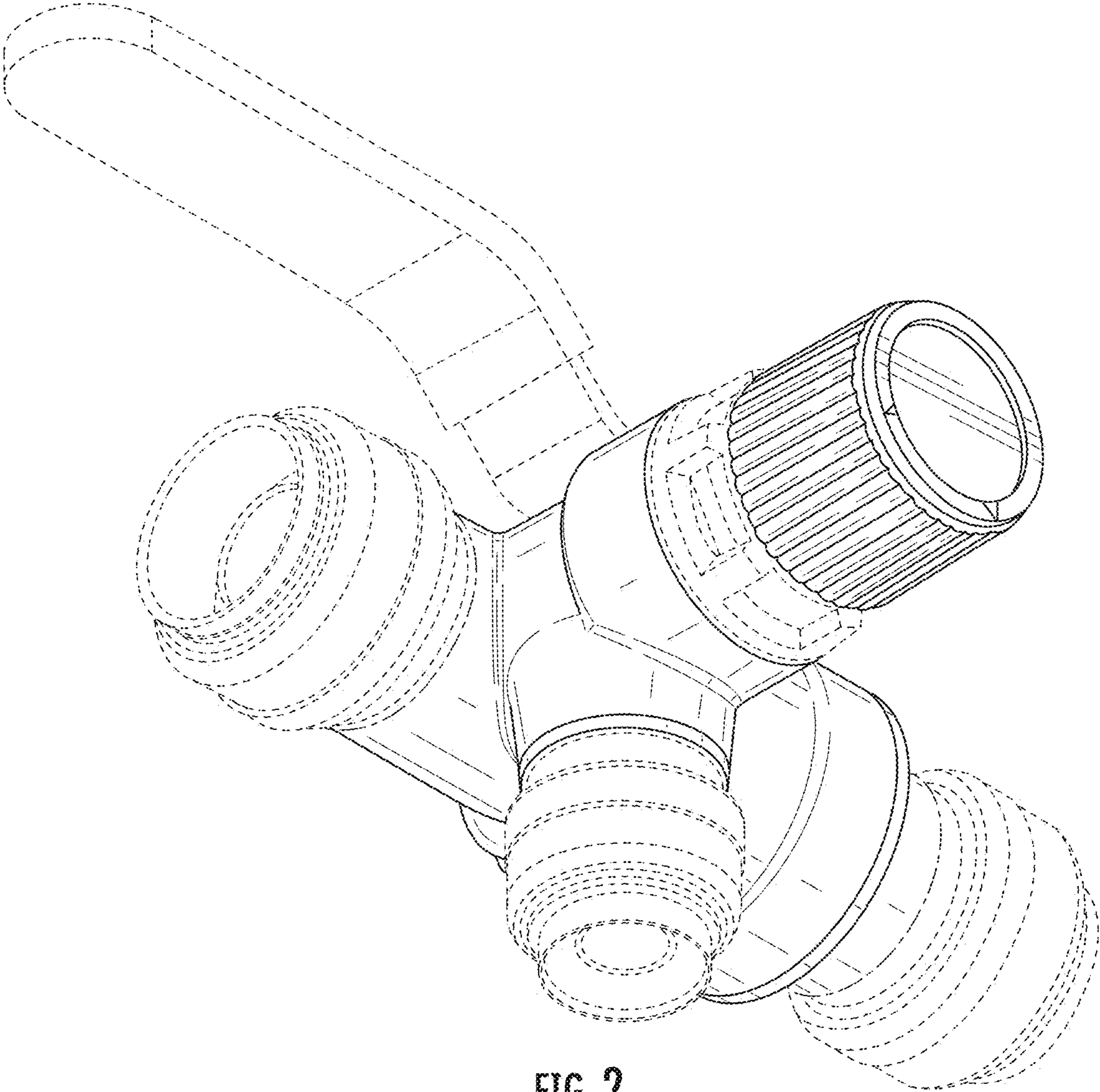
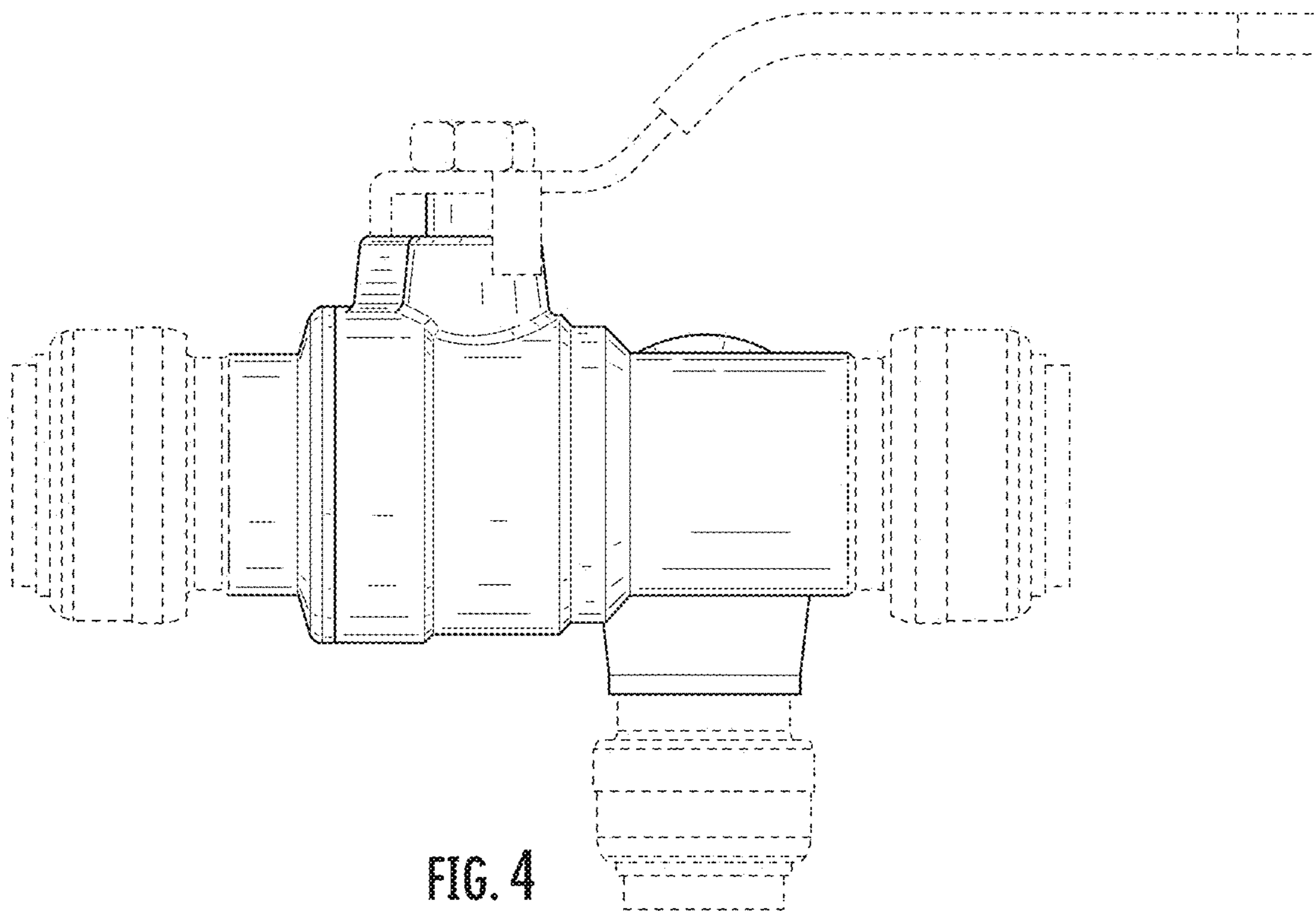
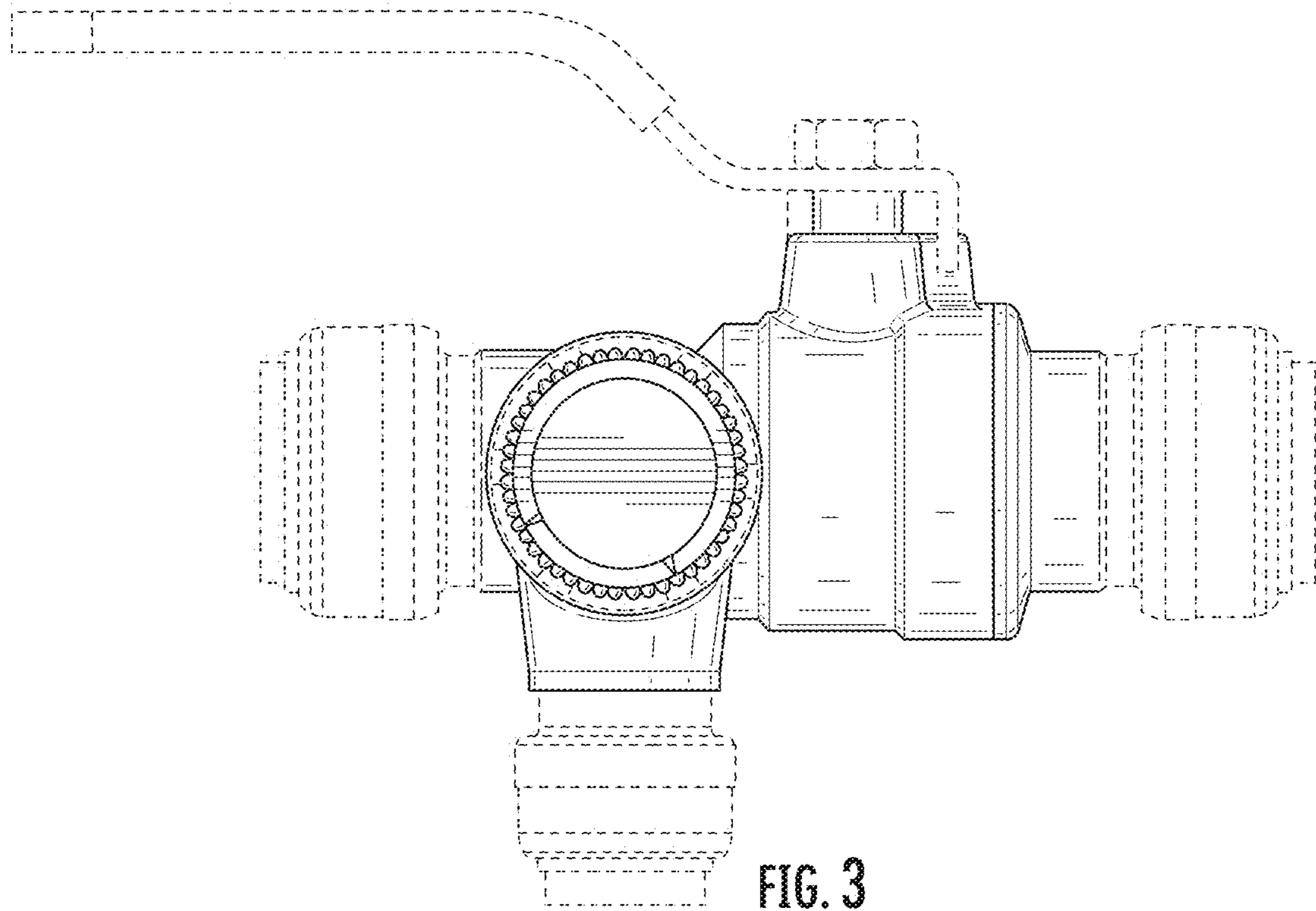


FIG. 2



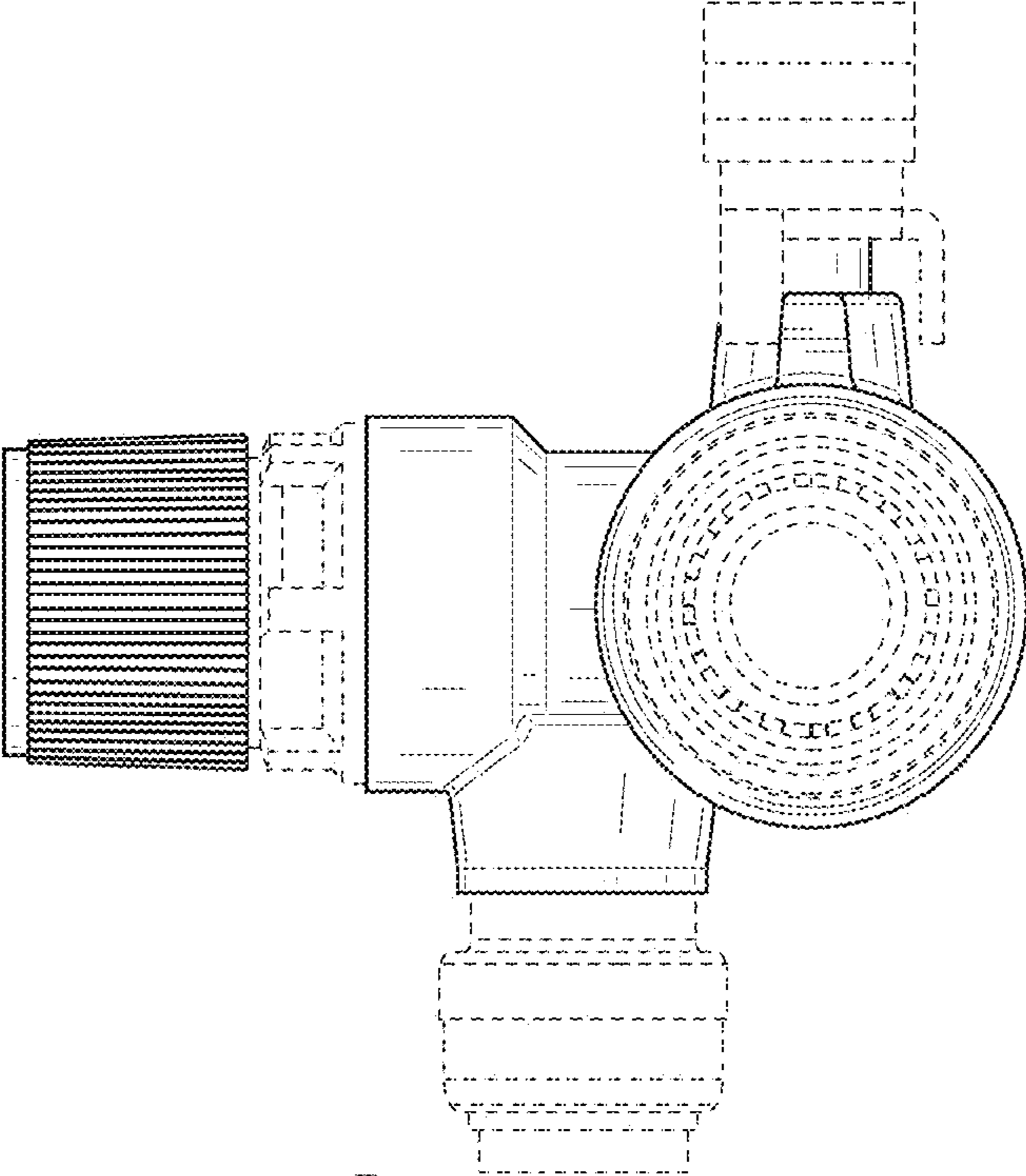


FIG. 5

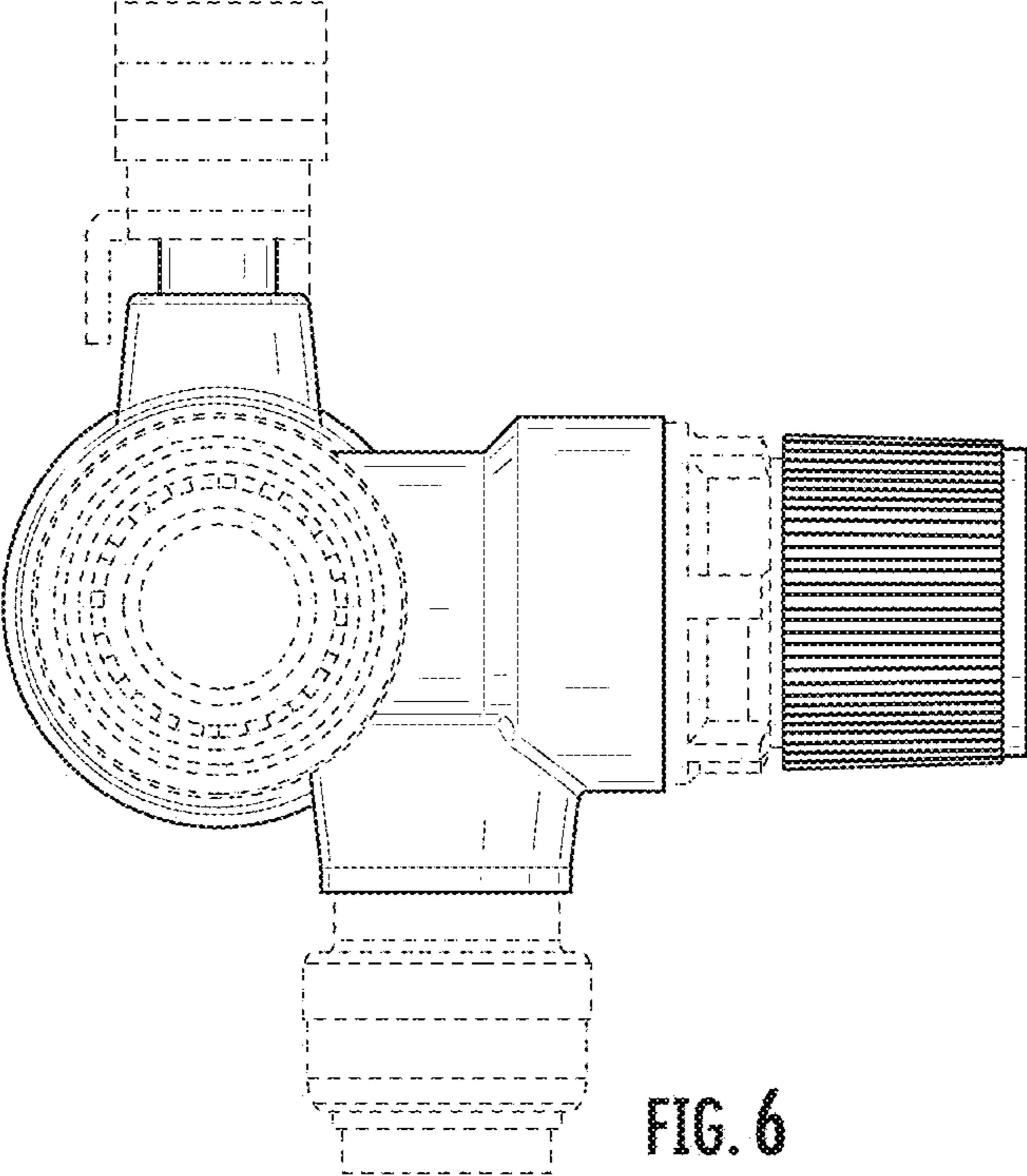


FIG. 6

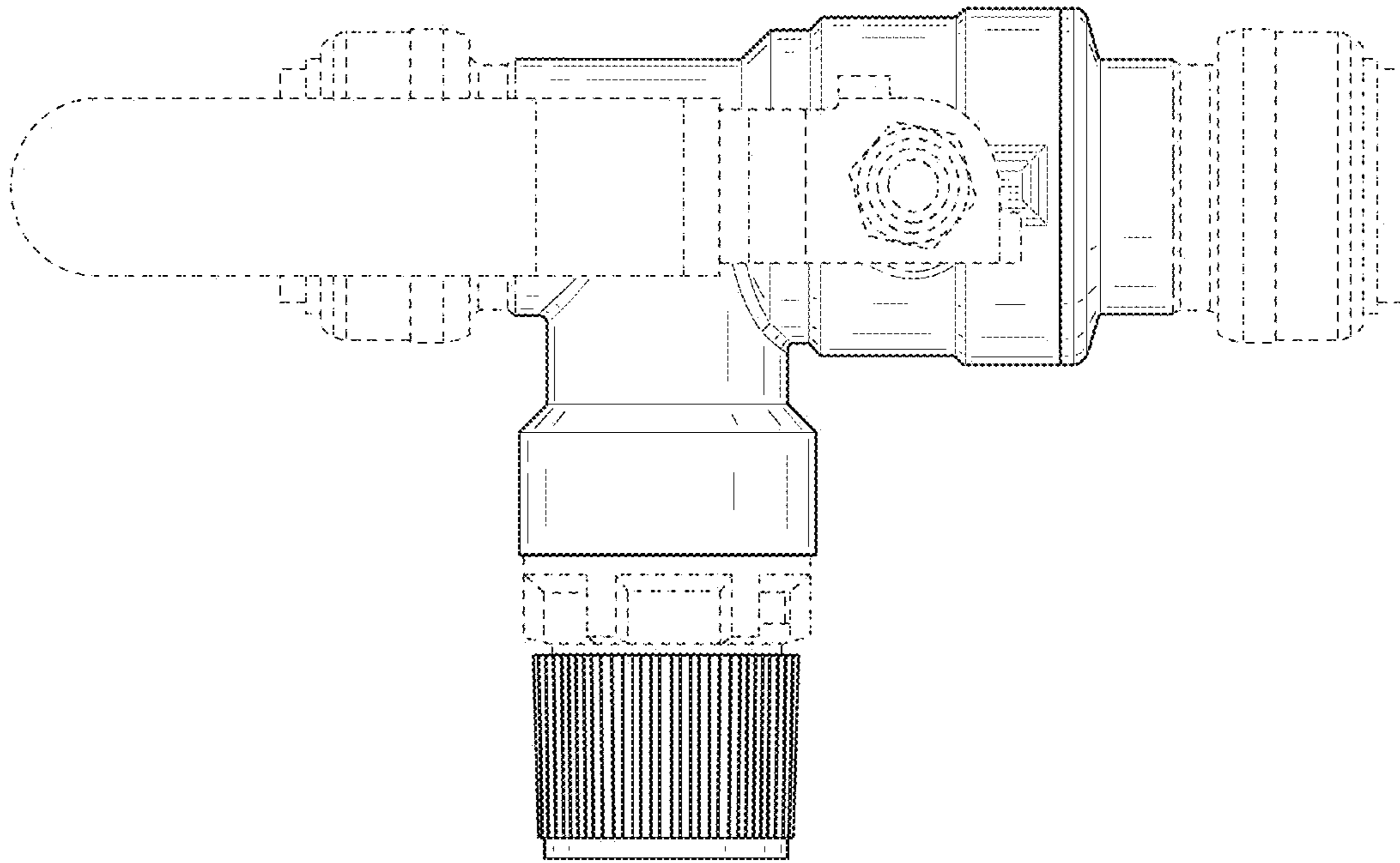


FIG. 7

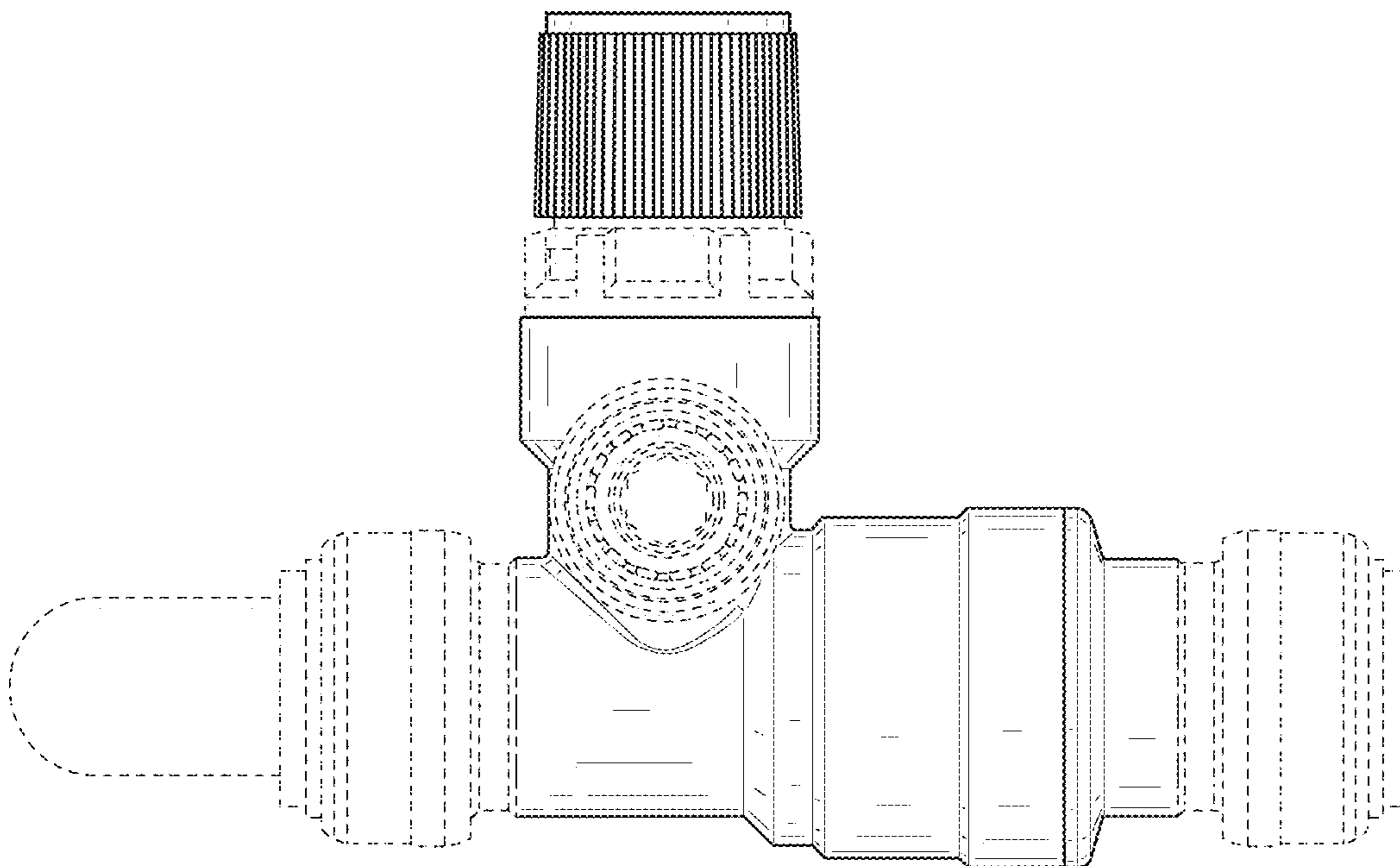


FIG. 8