



US00D944930S

(12) **United States Design Patent**
Park

(10) **Patent No.:** **US D944,930 S**

(45) **Date of Patent:** **** Mar. 1, 2022**

(54) **FAUCET**

(71) Applicant: **DELTA FAUCET COMPANY,**
Indianapolis, IN (US)

(72) Inventor: **Maris Park,** McCordsville, IN (US)

(73) Assignee: **DELTA FAUCET COMPANY,**
Indianapolis, IN (US)

(**) Term: **15 Years**

(21) Appl. No.: **29/738,115**

(22) Filed: **Jun. 15, 2020**

(51) **LOC (13) Cl.** **23-01**

(52) **U.S. Cl.**
USPC **D23/242**

(58) **Field of Classification Search**
USPC D23/241–243, 252, 254–255, 257;
D8/307–308, 300

See application file for complete search history.

(56) **References Cited**

U.S. PATENT DOCUMENTS

D529,586 S * 10/2006 Kulig D23/242
D540,916 S * 4/2007 Toyohara D23/241

D614,734 S * 4/2010 Kulig D23/242
8,079,381 B2 * 12/2011 Fischer F16K 31/607
137/359

D665,878 S * 8/2012 Flowers D23/250
D810,887 S * 2/2018 Schoenherr D23/254
D846,083 S * 4/2019 Garland D23/255
D879,256 S * 3/2020 Eads D23/255

* cited by examiner

Primary Examiner — Robert A Delehanty

(74) *Attorney, Agent, or Firm* — Nirav D. Parikh; Edgar
A. Zarins

(57) **CLAIM**

The ornamental design for a faucet, as shown and described.

DESCRIPTION

FIG. 1 is a front perspective view of a faucet showing my
new design;

FIG. 2 is a rear perspective view thereof;

FIG. 3 is a front elevational view thereof;

FIG. 4 is a left side view thereof;

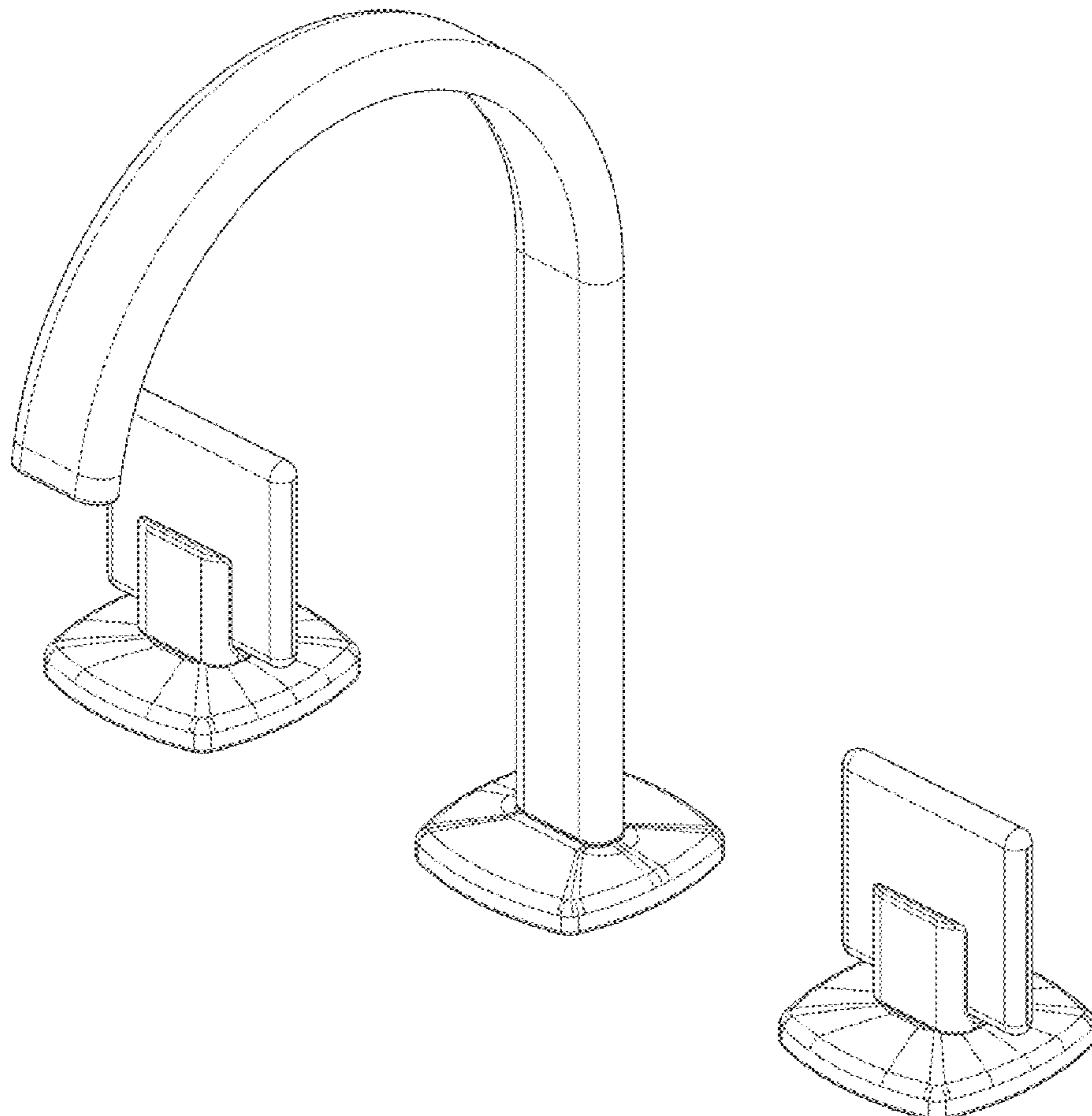
FIG. 5 is a rear view thereof;

FIG. 6 is a right side view thereof;

FIG. 7 is a top plan view thereof; and,

FIG. 8 is a bottom view thereof.

1 Claim, 4 Drawing Sheets



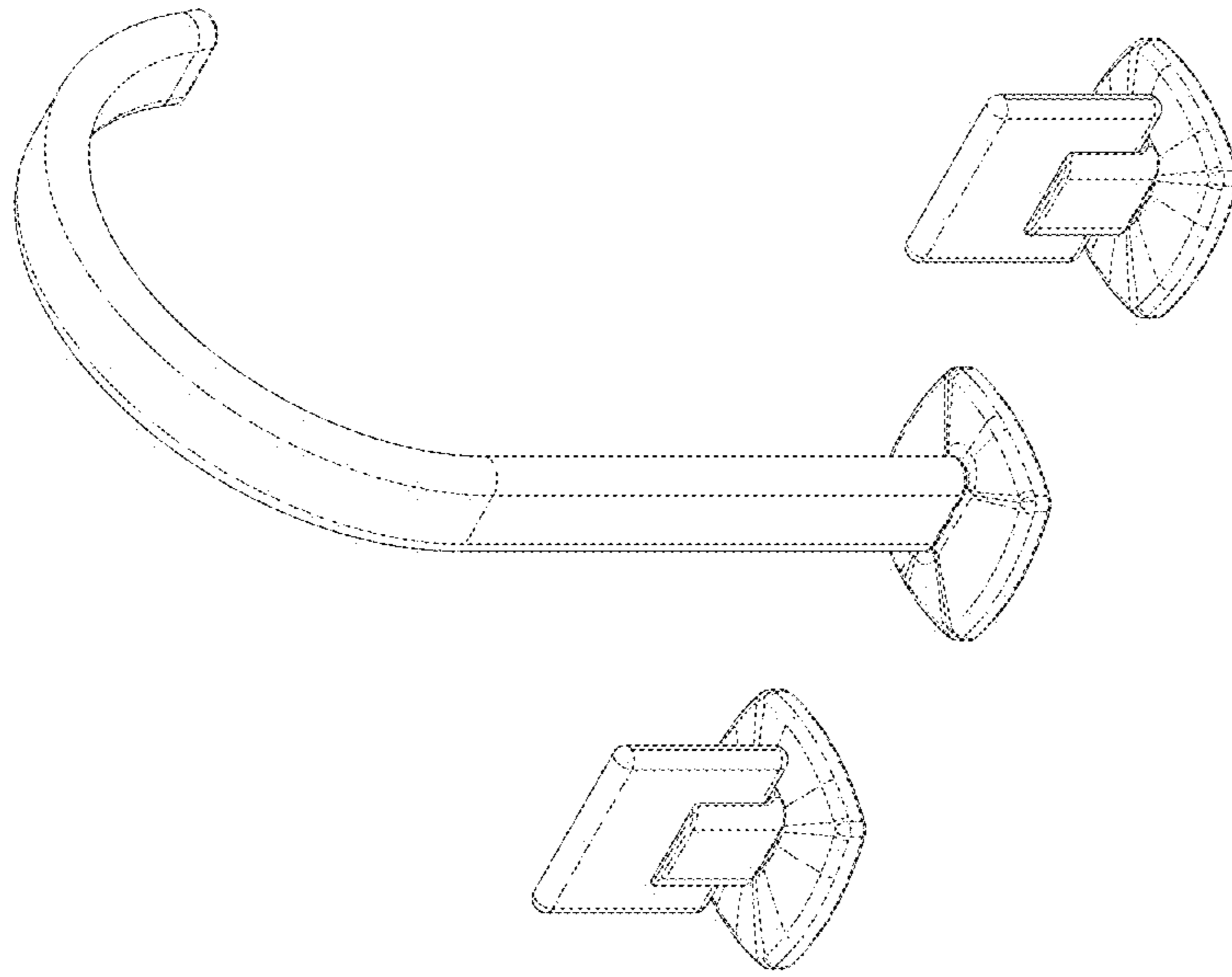


FIG - 2

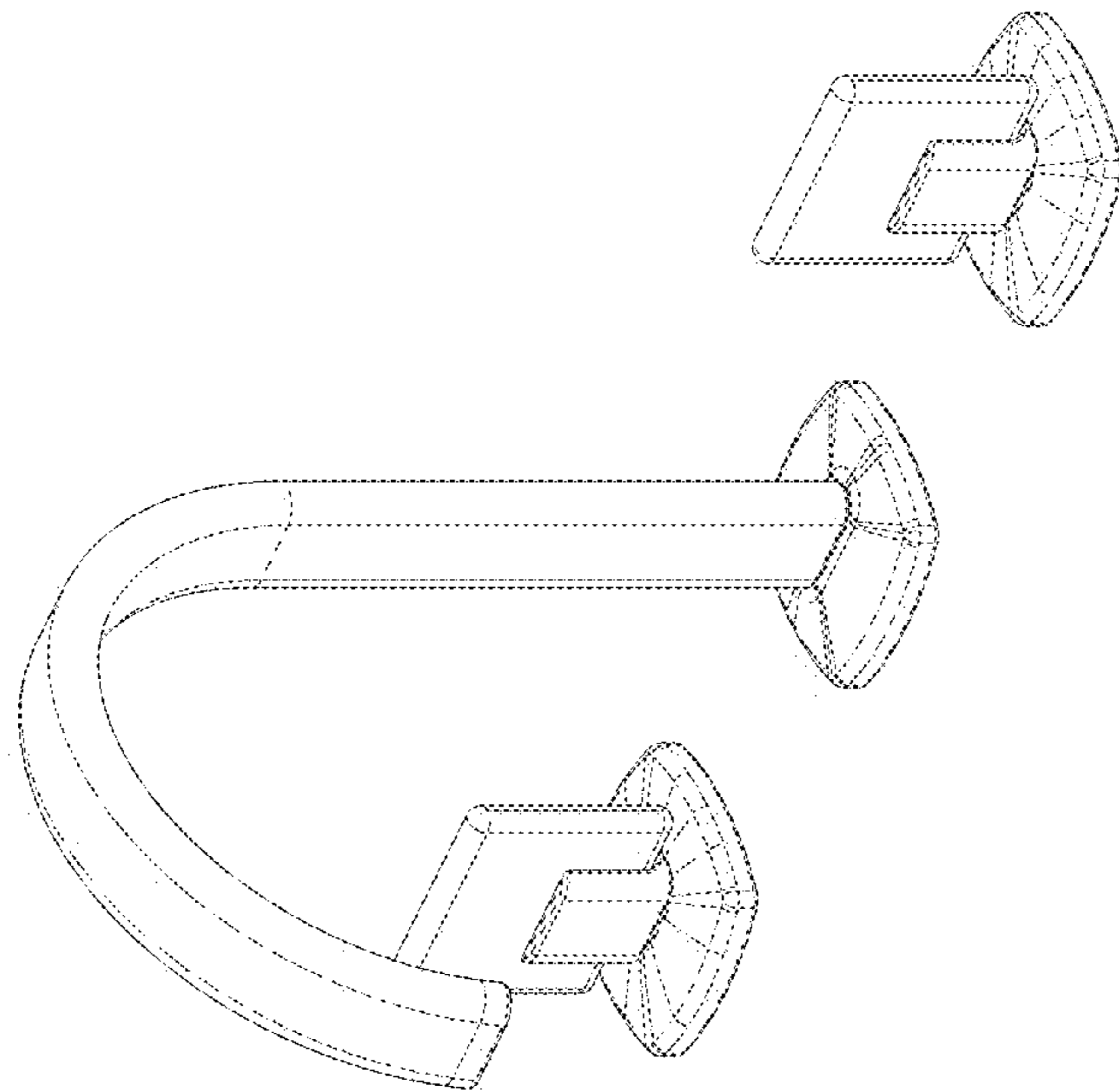


FIG - 1

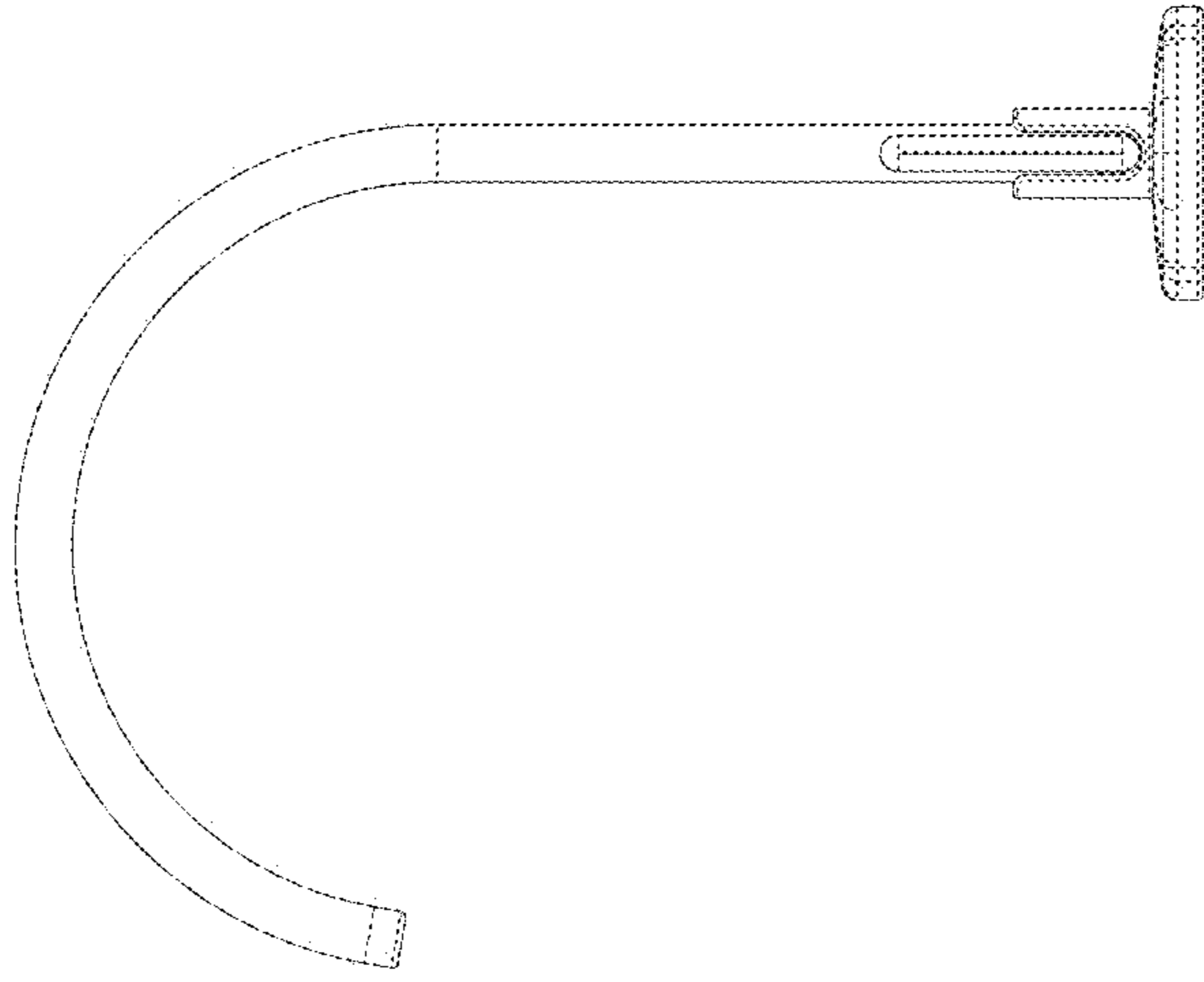


FIG - 4

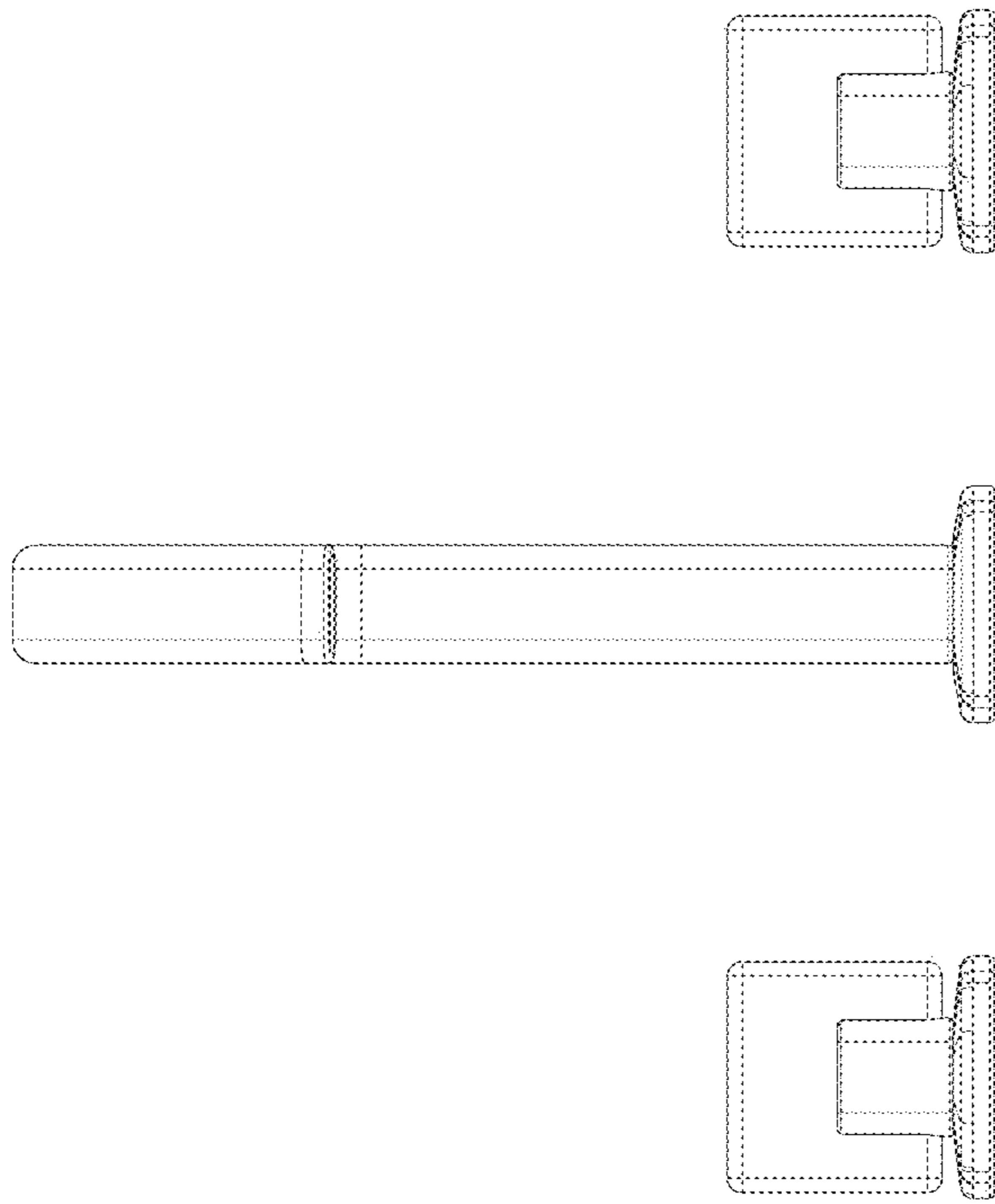


FIG - 3

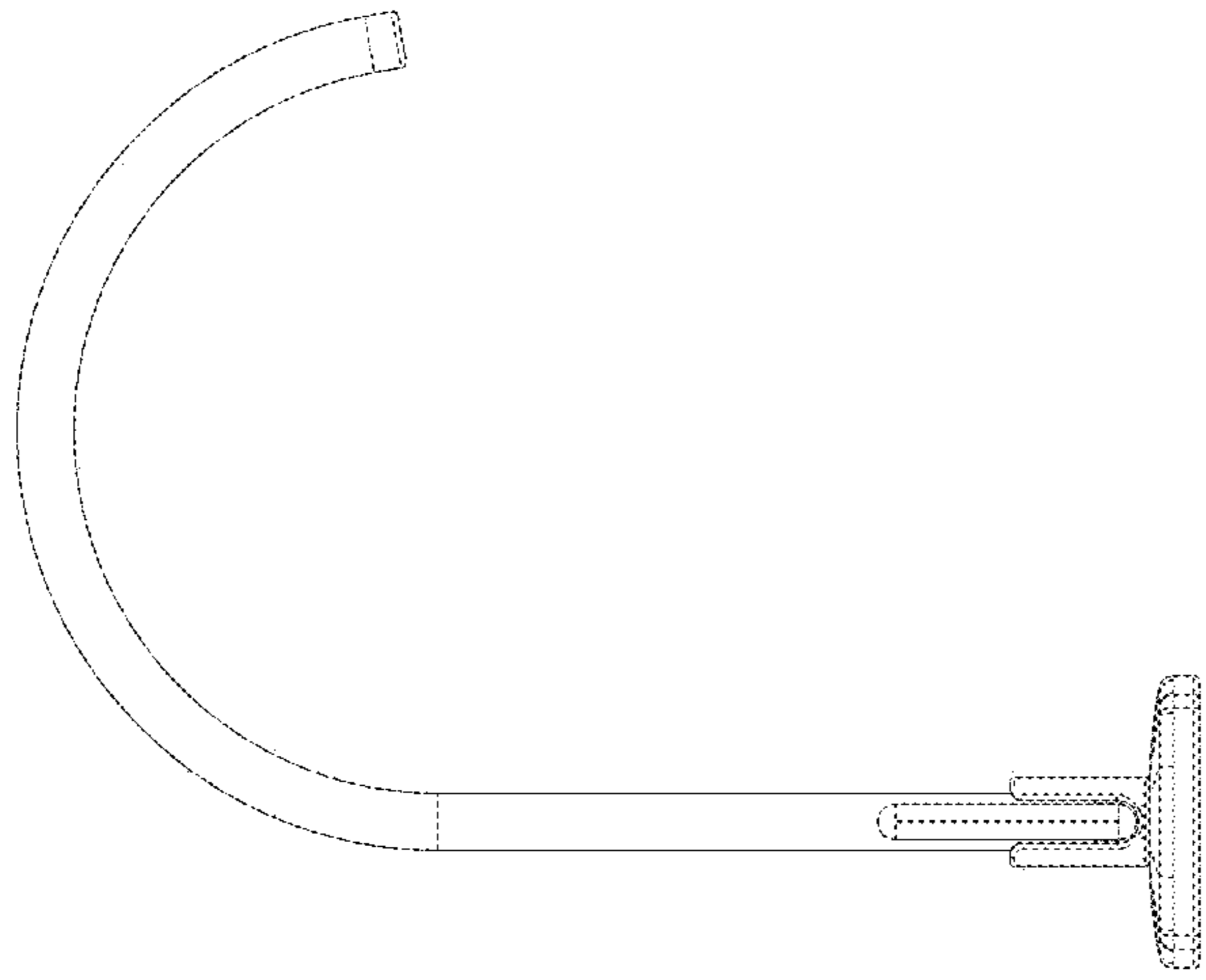


FIG - 6

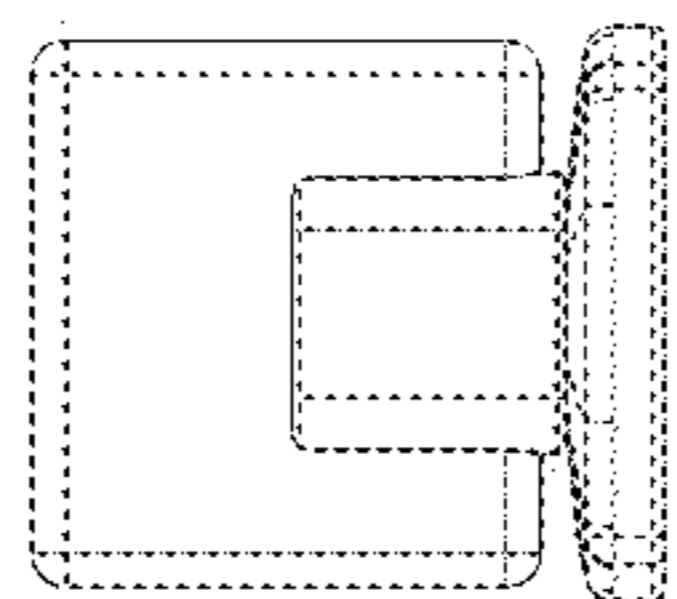
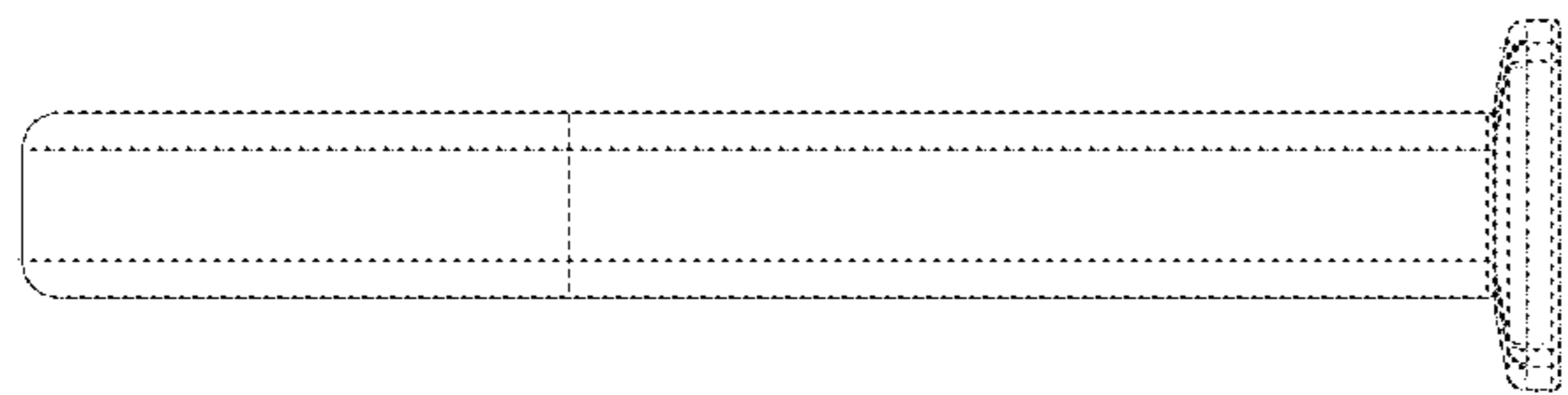
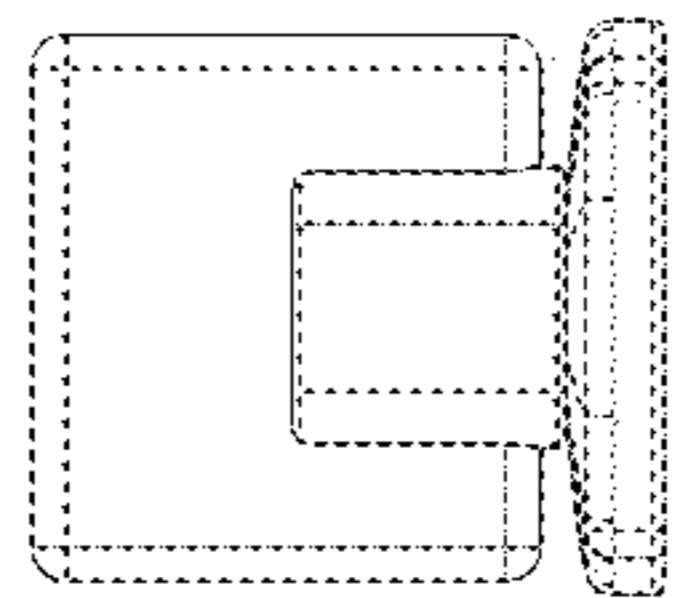


FIG - 5

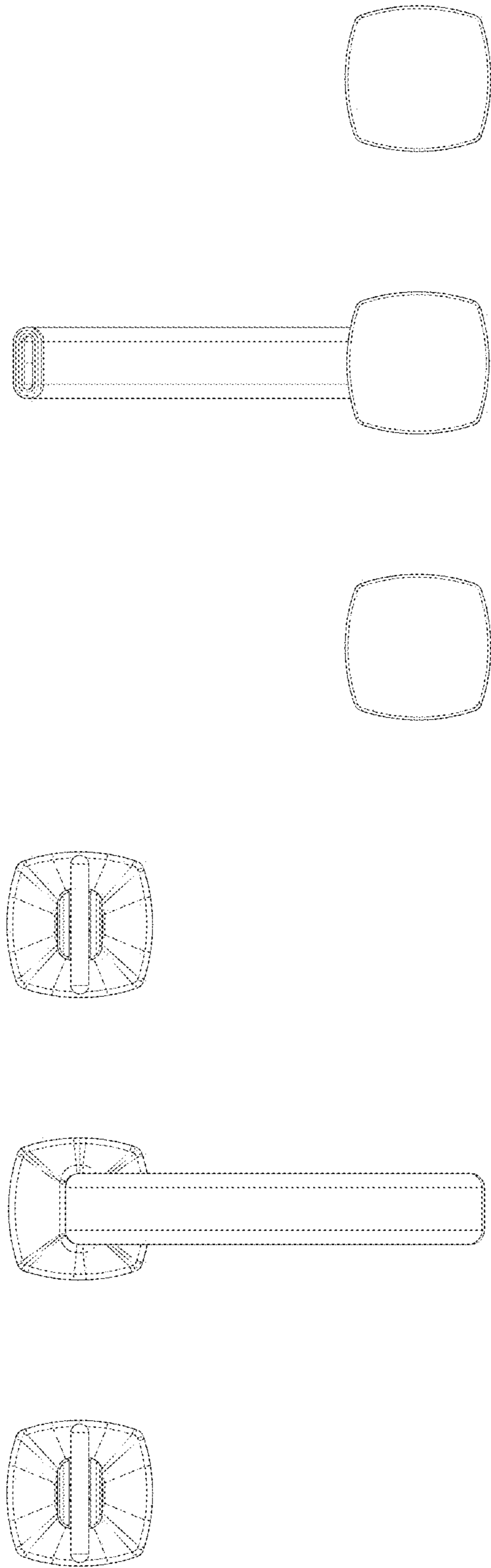


FIG - 8

FIG - 7