



US00D944928S

(12) **United States Design Patent** (10) **Patent No.:** **US D944,928 S**
Perrin et al. (45) **Date of Patent:** **** Mar. 1, 2022**

(54) **BASE FOR AN EMERGENCY FIXTURE AND FAUCET SET**

FOREIGN PATENT DOCUMENTS

(71) Applicant: **Bradley Fixtures Corporation**,
Menomonee Falls, WI (US)

CA 178659 8/1917
CA 178659 * 12/2017
(Continued)

(72) Inventors: **Timothy E. Perrin**, Hartford, WI (US);
Theodore E. Dhein, Sussex, WI (US);
Ryan E. Pfund, Menomonee Falls, WI (US);
Lynne A. Stern, Menomonee Falls, WI (US);
David Yaniak, Menomonee Falls, WI (US);
Scott Micoley, Plymouth, WI (US);
Erik Lindahl, Menomonee Falls, WI (US)

OTHER PUBLICATIONS

Bradley Eyewash Station, date unavailable[online], [site visited Jun. 23, 2021]. Available from internet, URL:<<https://www.scnindustrial.com/product/bradley-eyewash-station-s19274hw-sei778>> (Year: 2021).*
(Continued)

(73) Assignee: **Bradley Fixtures Corporation**,
Menomonee Falls, WI (US)

Primary Examiner — Barbara Fox
Assistant Examiner — Jamaal Rasheed
(74) *Attorney, Agent, or Firm* — Foley & Lardner LLP

(**) Term: **15 Years**

(57) **CLAIM**

(21) Appl. No.: **29/710,831**

We claim the ornamental design for a base for an emergency fixture and faucet set, as shown and described.

(22) Filed: **Oct. 25, 2019**

(51) **LOC (13) Cl.** **23-01**

(52) **U.S. Cl.**
USPC **D23/242**

DESCRIPTION

(58) **Field of Classification Search**
USPC D23/238–244, 252, 254–255, 257;
D8/307–308
CPC F16K 31/602; F16K 31/605; F16K 31/607;
E03C 1/0412
See application file for complete search history.

FIG. 1 is a front, right perspective view of the claimed design of a base for an emergency fixture and faucet set; FIG. 2 is a front, right perspective view of the claimed design, drawn without environmental features; FIG. 3 is a front view of the claimed design of FIG. 2; FIG. 4 is a rear view of the claimed design of FIG. 2; FIG. 5 is a left view of the claimed design of FIG. 2; FIG. 6 is a right view of the claimed design of FIG. 2; and, FIG. 7 is a top view of the claimed design of FIG. 2. The broken lines shown in FIG. 1 depict environmental structure. The remaining broken lines depict portions of the base for an emergency fixture and faucet set. None of the broken lines shown in the figures form part of the claimed design.

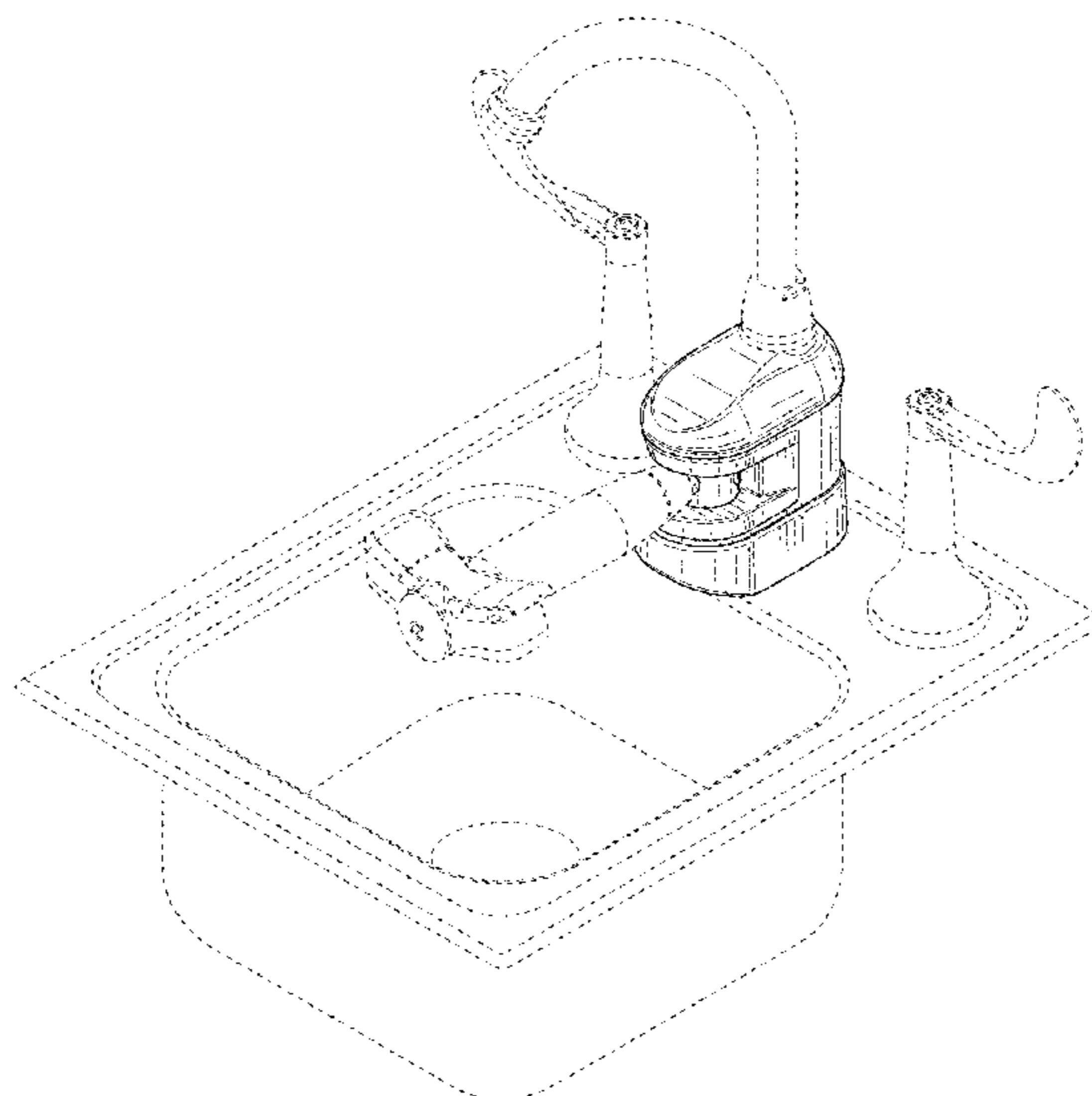
(56) **References Cited**

U.S. PATENT DOCUMENTS

1,079,441 A 11/1913 Roethlisberger
1,354,838 A 10/1920 Perkins
1,524,484 A 1/1925 Lutz
2,635,006 A 4/1953 Richmond
2,999,249 A 9/1961 Logan et al.
3,079,088 A 2/1963 Hermann et al.

(Continued)

1 Claim, 6 Drawing Sheets



(56)

References Cited

U.S. PATENT DOCUMENTS

3,925,829 A 12/1975 Bost
 4,675,924 A 6/1987 Allison et al.
 4,688,276 A 8/1987 Allison et al.
 4,901,927 A 2/1990 Valdivia
 4,975,993 A 12/1990 Black et al.
 D330,071 S 10/1992 Zerlia
 5,170,518 A 12/1992 Warriner
 5,265,288 A 11/1993 Allison
 D368,302 S 3/1996 Doughty et al.
 5,530,972 A 7/1996 Tanner
 D373,815 S 9/1996 Chaney
 5,740,569 A 4/1998 Gurries et al.
 D437,394 S 2/2001 Mark et al.
 D439,953 S 4/2001 Lord
 6,227,456 B1 5/2001 Colman
 6,385,794 B1 5/2002 Miedzius et al.
 D461,880 S * 8/2002 Underbrink D23/286
 D465,831 S 11/2002 Otero et al.
 D466,589 S 12/2002 Miedzius
 6,520,431 B2 2/2003 Donovan
 6,611,972 B2 9/2003 Underbrink et al.
 6,782,568 B2 8/2004 Novak et al.
 D519,613 S 4/2006 Spangler
 7,159,252 B2 1/2007 Underbrink et al.
 D543,827 S 6/2007 Citterio
 7,240,854 B2 7/2007 Taylor
 7,305,722 B2 12/2007 Sha et al.
 7,552,747 B1 6/2009 Sargsyan
 7,997,513 B2 8/2011 Chen et al.
 D662,219 S 6/2012 Perrin et al.
 D662,220 S 6/2012 Perrin et al.
 D662,605 S 6/2012 Perrin et al.
 D671,228 S 11/2012 Perrin et al.
 D673,298 S 12/2012 Perrin et al.
 D685,920 S 7/2013 Perrin et al.
 D706,399 S 6/2014 Yang et al.
 D754,297 S 4/2016 Garland
 9,314,398 B2 4/2016 Perrin et al.
 9,492,348 B2 11/2016 Novak et al.
 9,700,484 B2 7/2017 Perrin et al.
 9,855,189 B2 1/2018 Eveleigh et al.
 9,868,125 B2 1/2018 Macsay
 9,943,193 B2 4/2018 Stanley
 D833,601 S 11/2018 Massie et al.
 10,213,058 B2 2/2019 Eveleigh et al.

D853,528 S 7/2019 Eads et al.
 10,342,389 B2 7/2019 Eveleigh et al.
 D865,124 S * 10/2019 Carpiaux D23/239
 D865,126 S 10/2019 Zeng
 D875,888 S 2/2020 Carpiaux et al.
 D886,952 S 6/2020 Carpiaux et al.
 10,807,106 B2 10/2020 Buhler et al.
 10,881,253 B2 1/2021 Eveleigh et al.
 D912,214 S * 3/2021 Perrin D23/239
 D914,151 S * 3/2021 Perrin D23/238
 2002/0175226 A1 11/2002 Donovan
 2009/0276954 A1 11/2009 Davidson
 2012/0096639 A1 4/2012 Stanley et al.
 2018/0353376 A1 12/2018 Perrin et al.
 2019/0368173 A1 12/2019 Chung
 2019/0390446 A1 12/2019 Mooren et al.
 2020/0248438 A1 8/2020 Wang et al.
 2021/0062733 A1 3/2021 Miwa et al.
 2021/0076879 A1 3/2021 Eveleigh et al.

FOREIGN PATENT DOCUMENTS

EM 004541399-0001 * 12/2017
 EM 004541399-0007 * 12/2017
 EM 004541399-0001 1/2018
 EM 004541399-0007 1/2018
 WO WO-2008/067879 A1 6/2008

OTHER PUBLICATIONS

Bradley Eyewash Station, announced Date unavailable[online], [site visited Jul. 15, 2020]. Available from internet, URL:<<https://www.scnindustrial.com/product/bradley-eyewash-station-s19274hw-sei778>> (Year: 2020).
 International Search Report and Written Opinion for International Application No. PCT/US2018/036933, dated Nov. 23, 2018, 23 pages.
 Speakman Eyewash-Faucets, website <http://speakman.com/emergency-equipment/eyewash-faucet>, 2017, 2 pages.
 Eyewash Faucet, Combination Emergency Eyewash and Gooseneck Faucet, Chicago Faucets, CF2124 Nov. 2019, Copyright 2019, available at <https://www.chicagofaucets.com/sites/default/files/2020-02/CF2124.pdf>, 2pps.

* cited by examiner

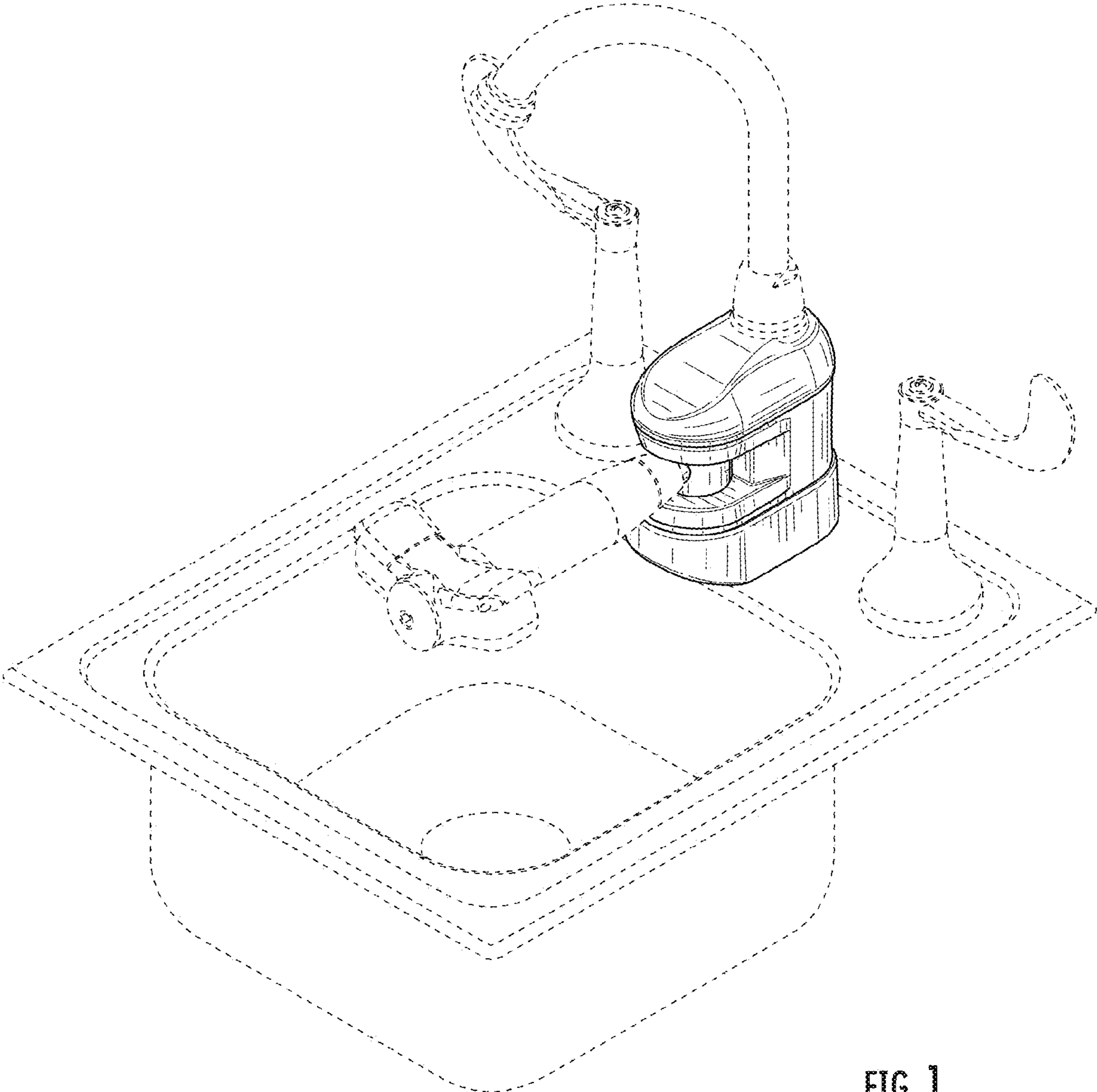


FIG. 1

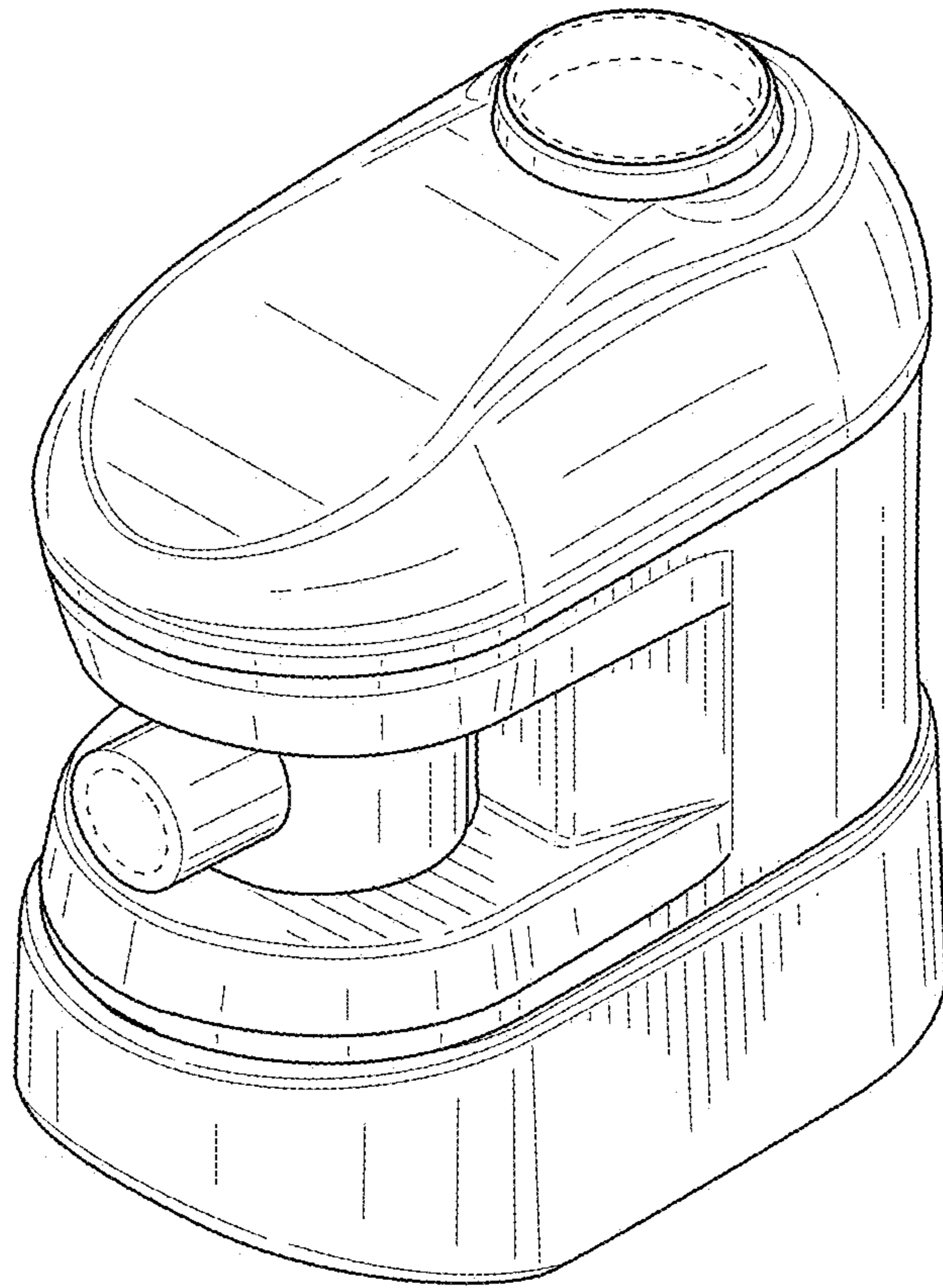


FIG. 2

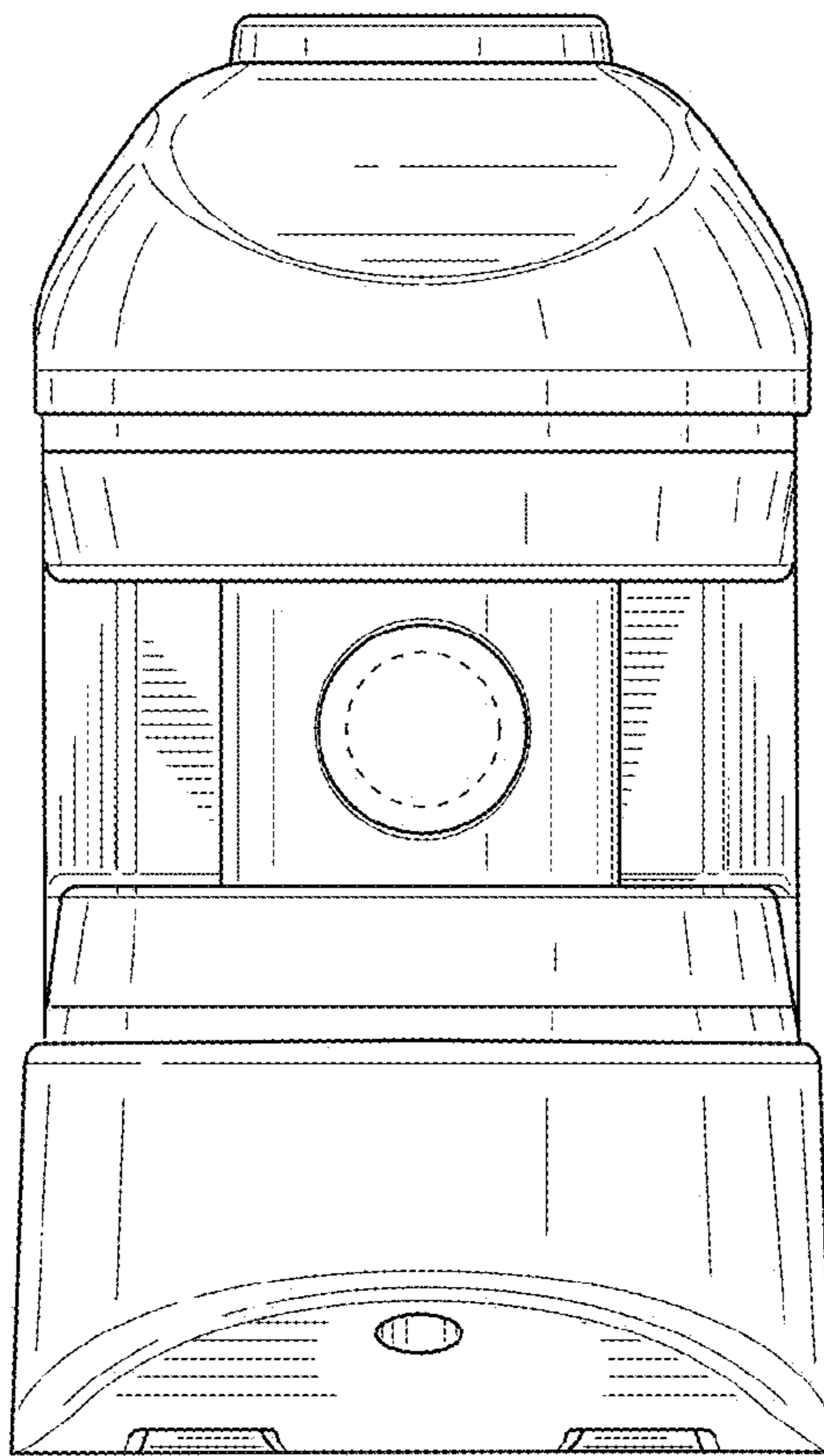


FIG. 3

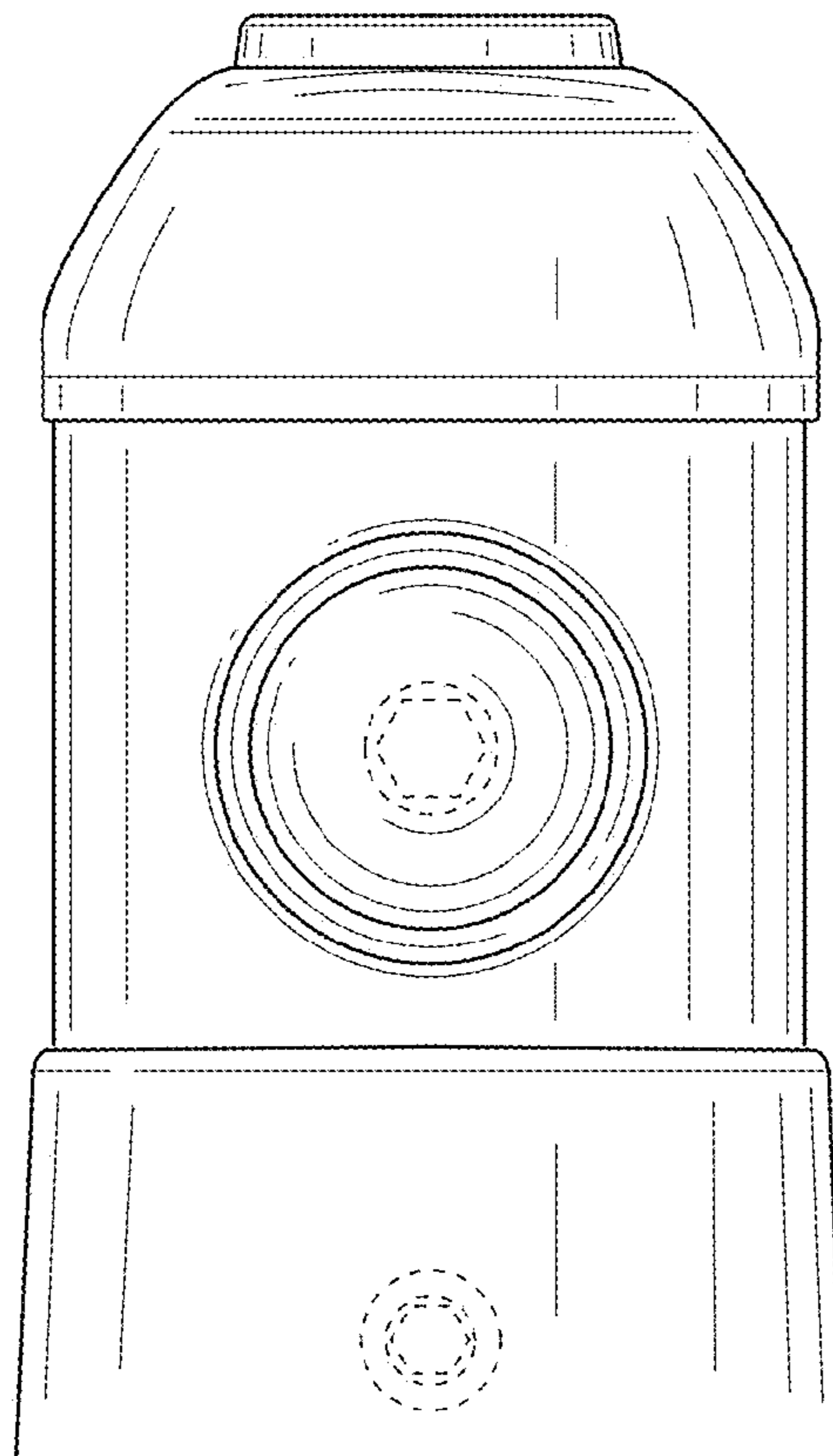


FIG. 4

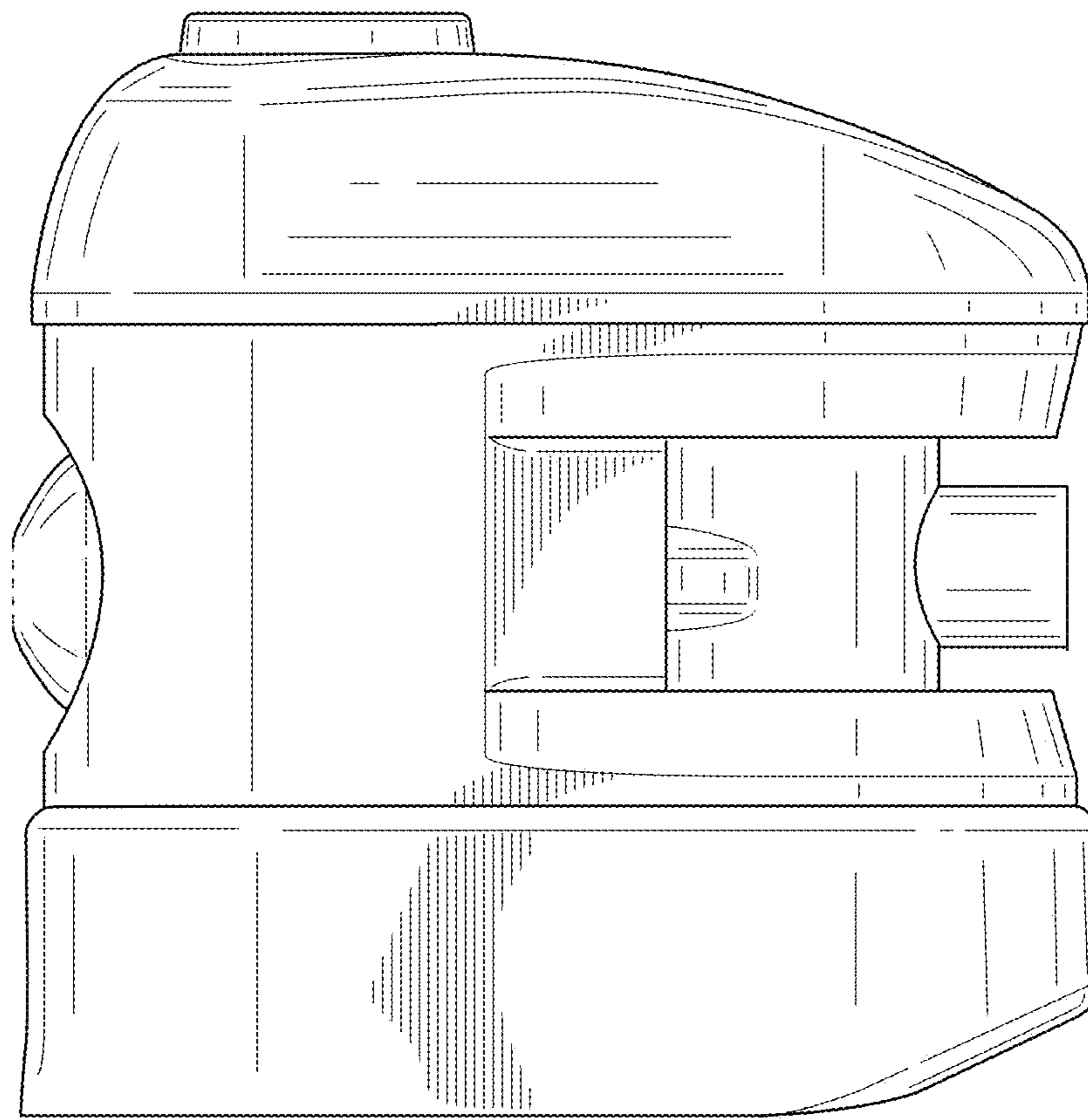


FIG. 5

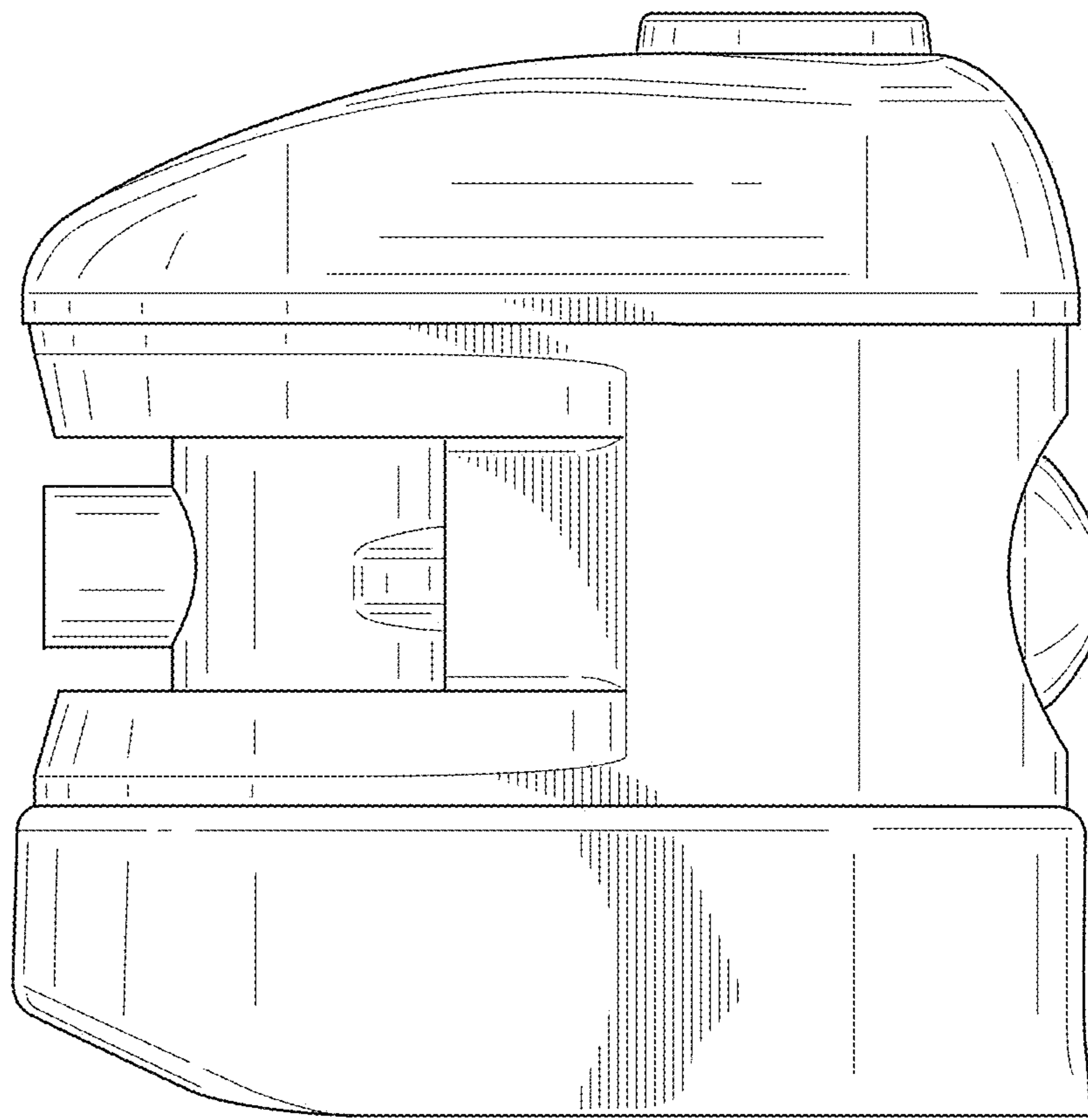


FIG. 6

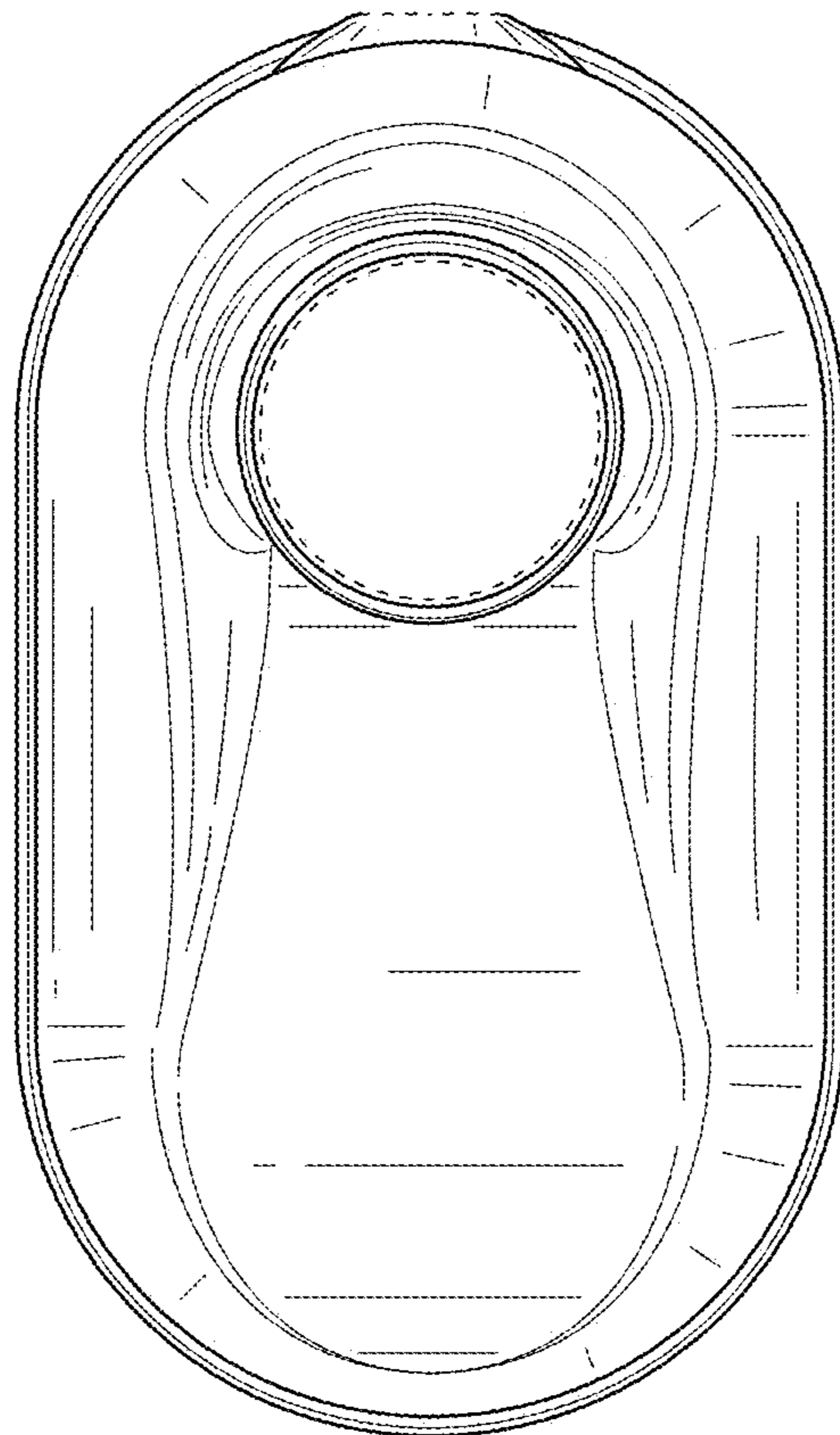


FIG. 7