



US00D944927S

(12) **United States Design Patent**
Garland

(10) **Patent No.:** **US D944,927 S**
(45) **Date of Patent:** **** Mar. 1, 2022**

(54) **FAUCET SPRAYHEAD**
(71) Applicant: **DELTA FAUCET COMPANY,**
Indianapolis, IN (US)
(72) Inventor: **Celine Kwok Garland,** Zionsville, IN
(US)
(73) Assignee: **DELTA FAUCET COMPANY,**
Indianapolis, IN (US)

8,256,463 B2 * 9/2012 Farag E03C 1/04
137/801
D680,199 S * 4/2013 Kwok D23/257
D721,422 S * 1/2015 Sedwick D23/255
8,939,429 B2 * 1/2015 Sawaski E03C 1/0404
251/129.04
9,175,458 B2 * 11/2015 Meehan E03C 1/055
D752,717 S * 3/2016 Eads D23/238
D785,138 S * 4/2017 Ho D23/226
10,858,812 B2 * 12/2020 Johnson E03C 1/0401
2011/0226876 A1 * 9/2011 Xu B05B 1/1618
239/562

(**) Term: **15 Years**

(Continued)

(21) Appl. No.: **29/754,478**

OTHER PUBLICATIONS

(22) Filed: **Oct. 12, 2020**

Moen 9125SRS, Apr. 28, 2016, Amazon, site visited Oct. 20, 2021:
<https://www.amazon.ca/dp/B00VPVJYBE/> (Year: 2016).*

(51) **LOC (13) Cl.** **23-01**

(Continued)

(52) **U.S. Cl.**
USPC **D23/226**

(58) **Field of Classification Search**
USPC D23/213, 223, 224, 226, 228, 229, 238,
D23/239, 240, 241, 242, 250
CPC B05B 1/16; B05B 1/1618; B05B 1/18;
E03C 1/0401; E03C 1/0405; E03C
1/0408; E03C 1/066; E03C 2001/0415
See application file for complete search history.

Primary Examiner — Jack Reickel
Assistant Examiner — Bobby W Jones, II
(74) *Attorney, Agent, or Firm* — Nirav D. Parikh; Edgar
A. Zarins

(57) **CLAIM**

The ornamental design for a faucet sprayhead, as shown and
described.

(56) **References Cited**

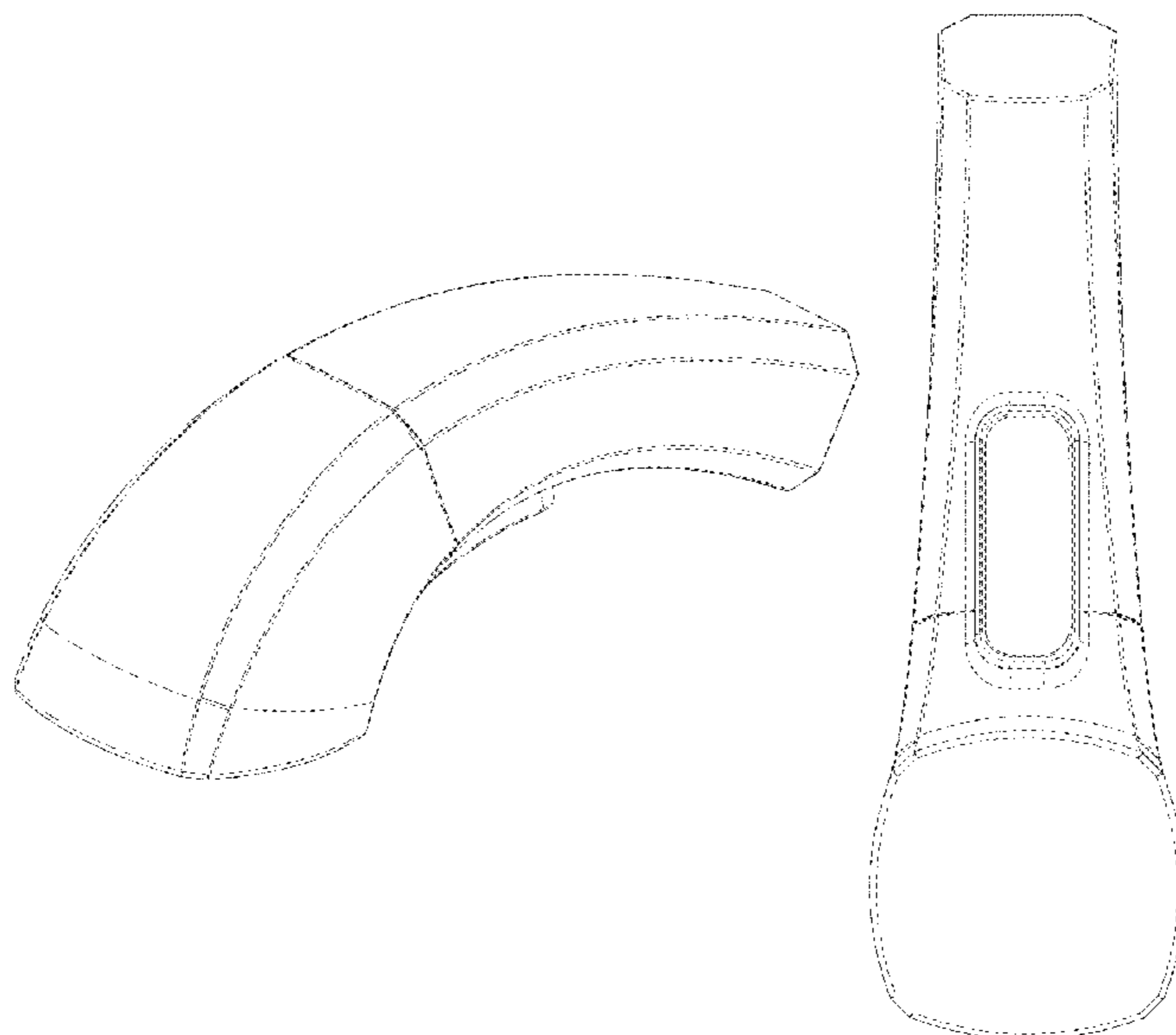
DESCRIPTION

U.S. PATENT DOCUMENTS

D291,236 S * 8/1987 Delepine D23/242
D329,688 S * 9/1992 Yost D23/255
D476,396 S * 6/2003 Hanna D23/238
D532,870 S * 11/2006 Lobermeier D23/238
D534,625 S * 1/2007 Kemp D23/232
D583,023 S * 12/2008 Downey D23/255
D586,884 S * 2/2009 Kollmann D23/238
D615,613 S * 5/2010 Corbett D23/223
D617,423 S * 6/2010 Suzuki D23/238
D645,943 S * 9/2011 Downey D23/255
8,118,240 B2 * 2/2012 Rodenbeck E03C 1/0404
239/67
D665,877 S * 8/2012 Fritz D23/238

FIG. 1 is a front perspective view of a faucet sprayhead
showing my new design;
FIG. 2 is a rear perspective view thereof;
FIG. 3 is a front elevational view thereof;
FIG. 4 is a left side view thereof;
FIG. 5 is a rear view thereof;
FIG. 6 is a right side view thereof;
FIG. 7 is a top plan view thereof; and,
FIG. 8 is a bottom view thereof.

1 Claim, 4 Drawing Sheets



(56)

References Cited

U.S. PATENT DOCUMENTS

2013/0333109 A1* 12/2013 Li E03C 1/0402
4/695
2015/0191901 A1* 7/2015 Kacik E03C 1/0404
4/678
2017/0342692 A1* 11/2017 Hu E03C 1/0412
2018/0155905 A1* 6/2018 Johnson F16K 19/006
2019/0143347 A1* 5/2019 Li E03C 1/0409
239/558

OTHER PUBLICATIONS

Kohler K-10433, Feb. 15, 2012, Amazon, site visited Oct. 20, 2021:
<https://www.amazon.ca/dp/B000MFA4IG/> (Year: 2012).*
Pfister LF-538-5LCY, Dec. 1, 2011, Amazon, site visited Aug. 5,
2021: <https://www.amazon.com/dp/B01DYX0POK/> (Year: 2011).*

* cited by examiner

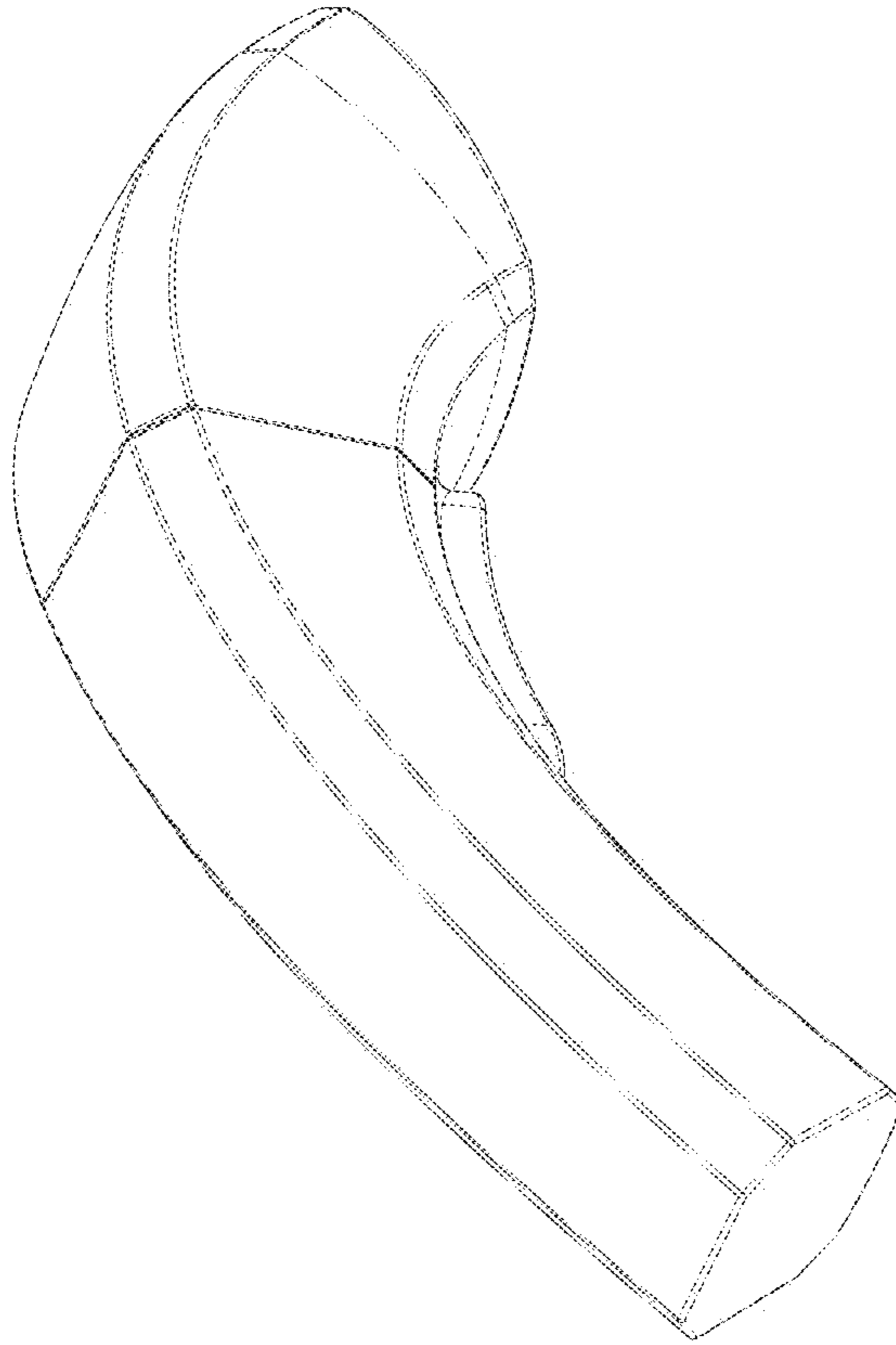


FIG - 2

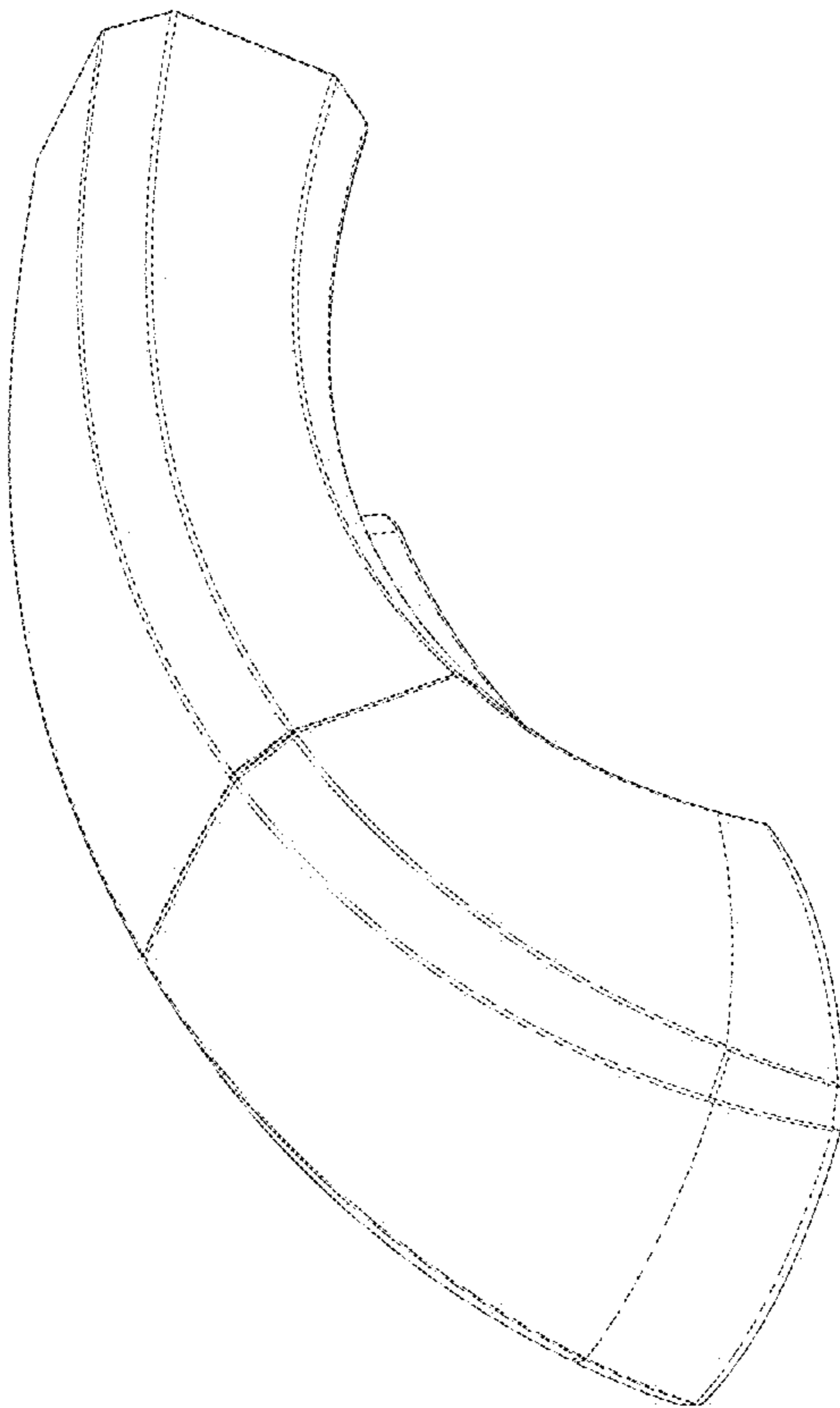


FIG - 1

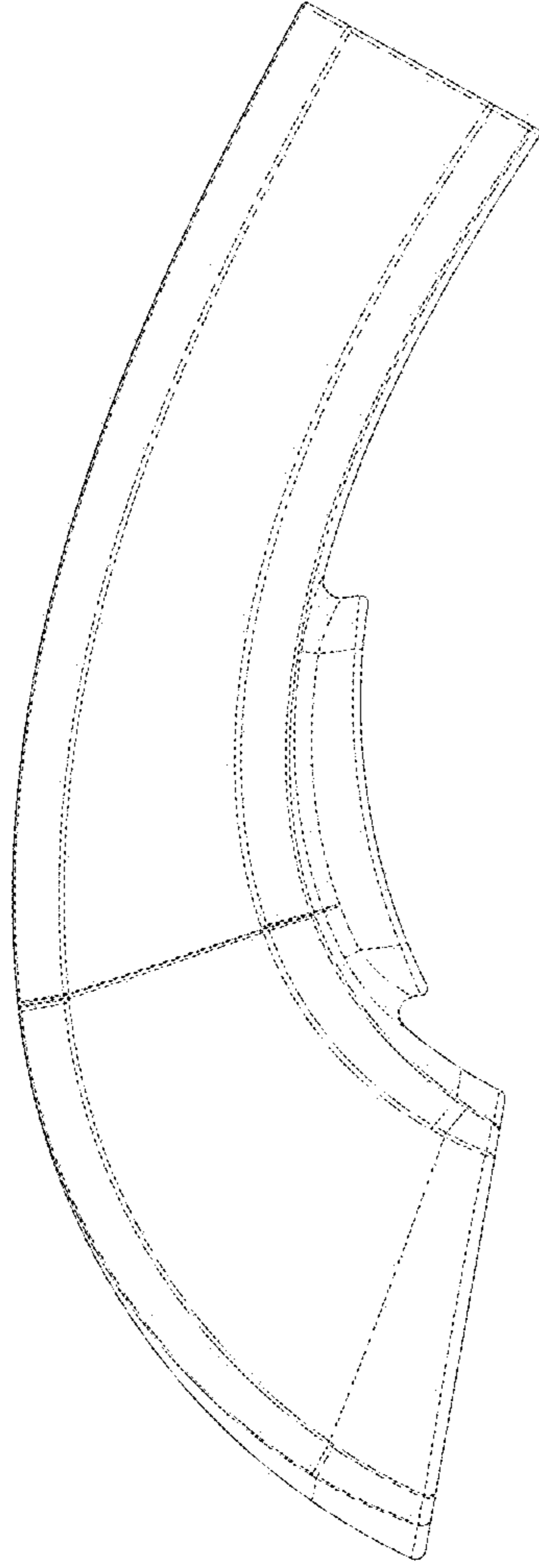


FIG - 4

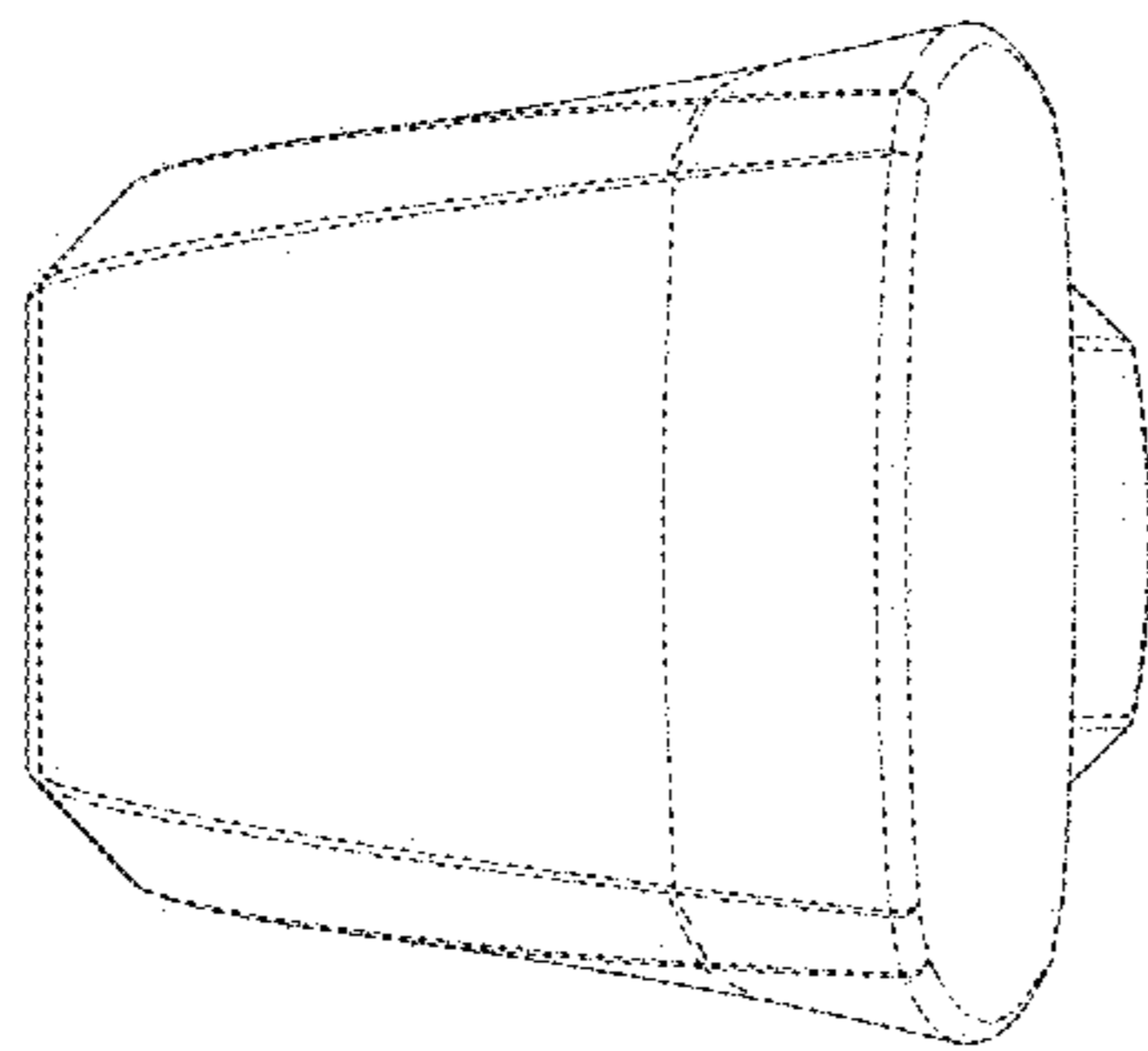


FIG - 3

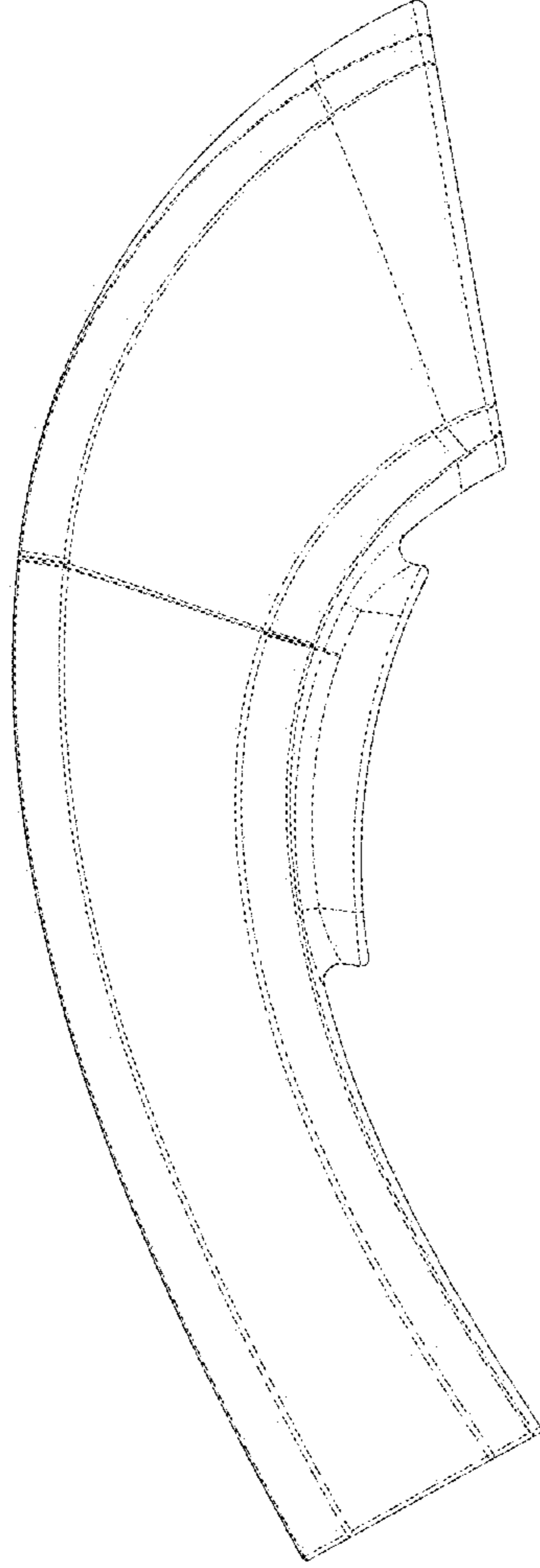


FIG - 6

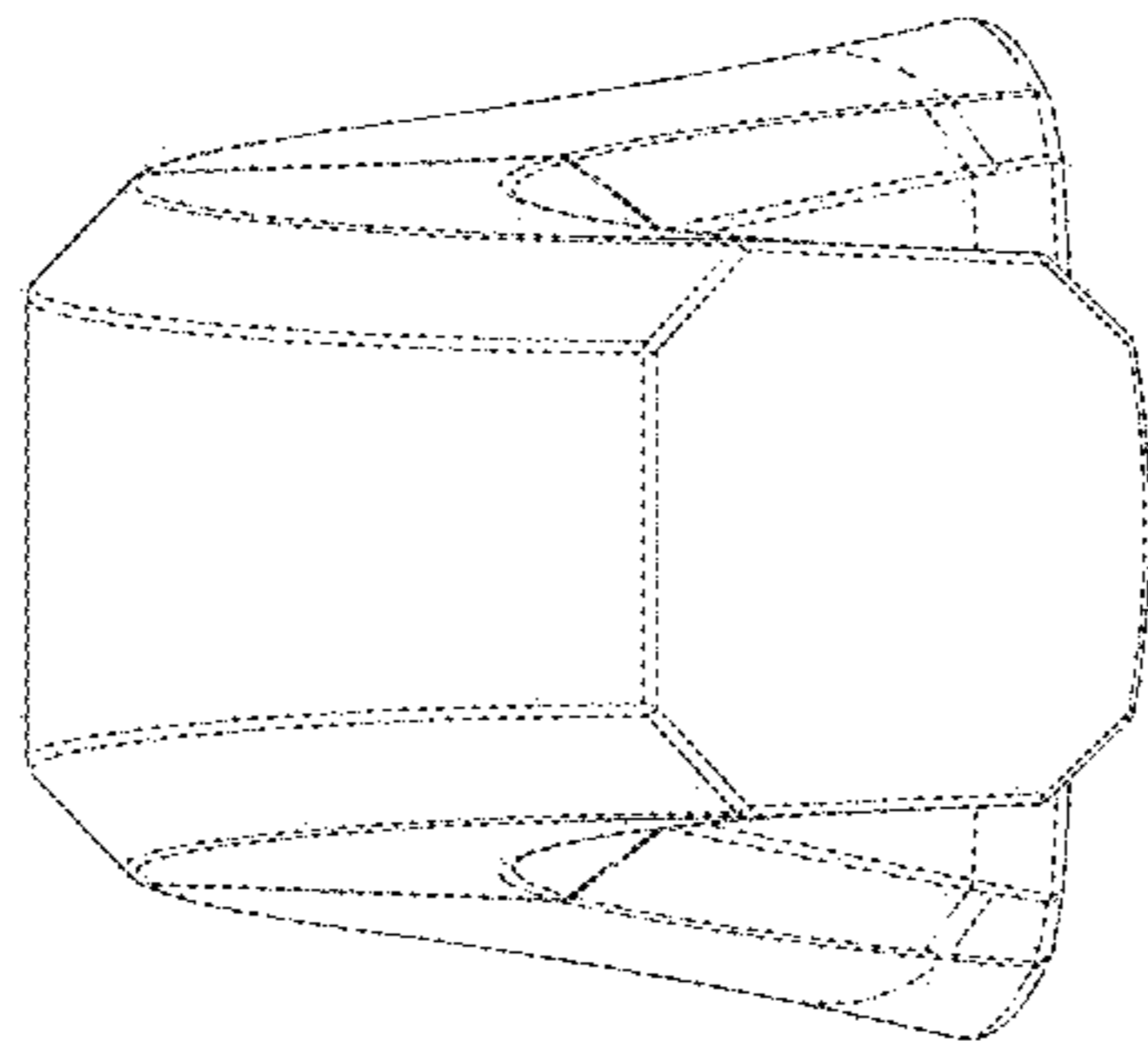


FIG - 5

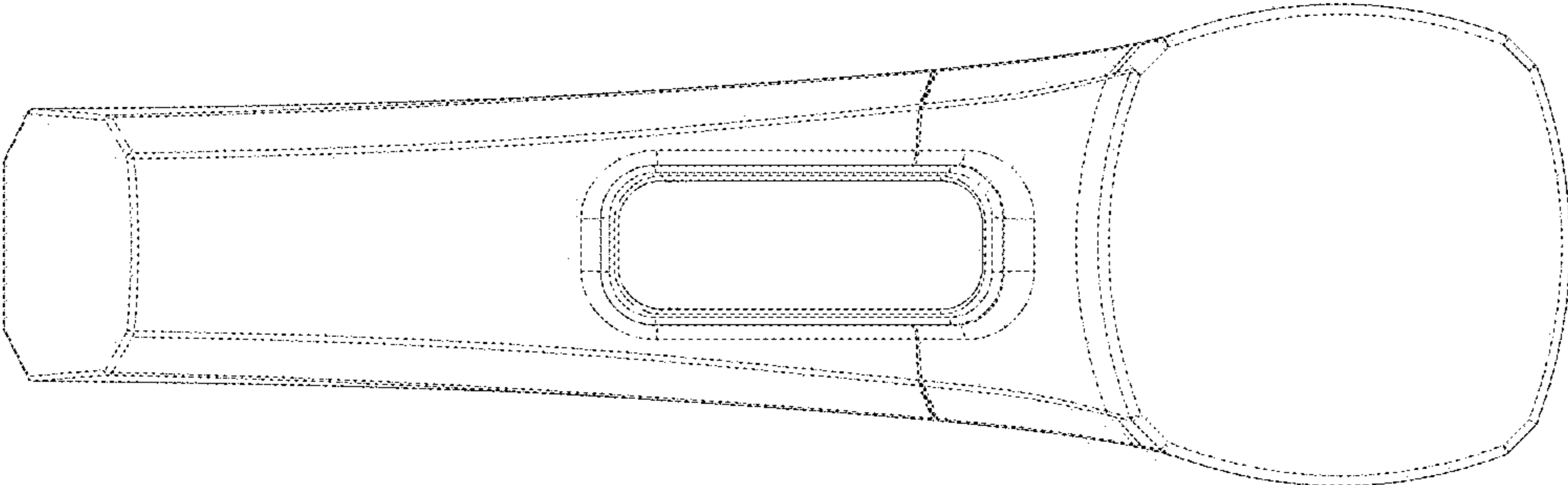


FIG - 8

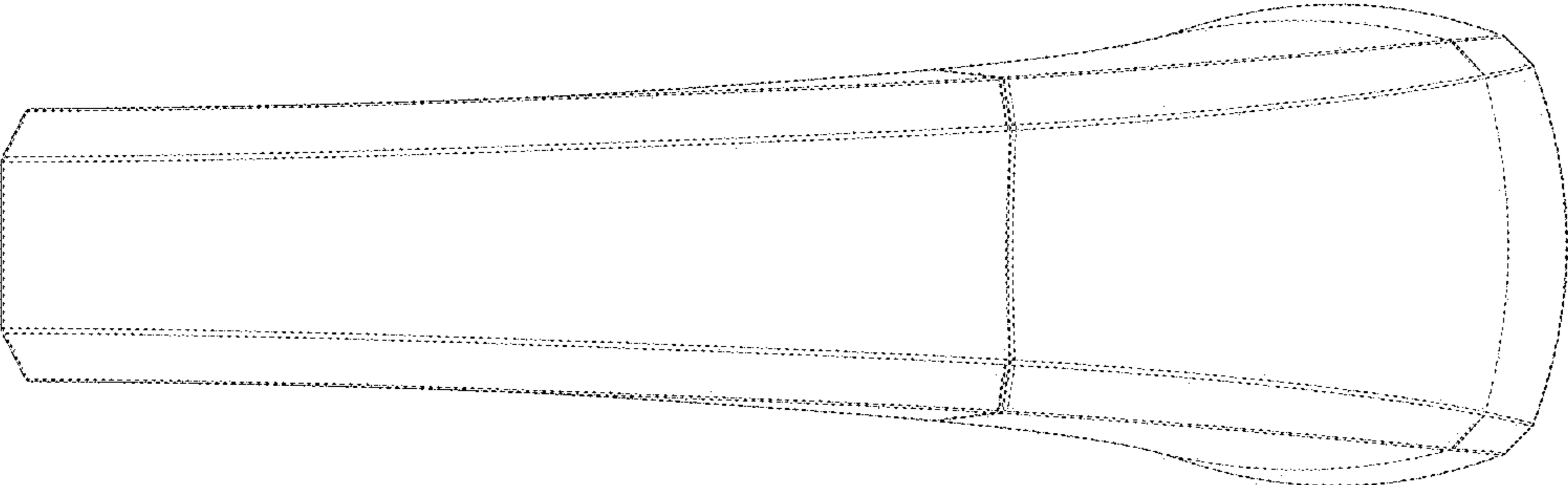


FIG - 7