



US00D944926S

(12) **United States Design Patent**  
**Garland**

(10) **Patent No.:** **US D944,926 S**

(45) **Date of Patent:** **\*\* Mar. 1, 2022**

- (54) **FAUCET SPRAYHEAD**
- (71) Applicant: **DELTA FAUCET COMPANY**,  
Indianapolis, IN (US)
- (72) Inventor: **Celine Kwok Garland**, Zionsville, IN  
(US)
- (73) Assignee: **DELTA FAUCET COMPANY**,  
Indianapolis, IN (US)

8,256,463 B2 \* 9/2012 Farag ..... E03C 1/04  
137/801  
D680,199 S \* 4/2013 Kwok ..... D23/257  
D721,422 S \* 1/2015 Sedwick ..... D23/255  
8,939,429 B2 \* 1/2015 Sawaski ..... E03C 1/0404  
251/129.04  
9,175,458 B2 \* 11/2015 Meehan ..... E03C 1/055  
D752,717 S \* 3/2016 Eads ..... D23/238  
D785,138 S \* 4/2017 Ho ..... D23/226  
10,858,812 B2 \* 12/2020 Johnson ..... E03C 1/0401  
2011/0226876 A1 \* 9/2011 Xu ..... B05B 1/1618  
239/562

(\*\*) Term: **15 Years**

(Continued)

(21) Appl. No.: **29/754,464**

**OTHER PUBLICATIONS**

(22) Filed: **Oct. 12, 2020**

Moen 9125SRS, Apr. 28, 2016, Amazon, site visited Oct. 20, 2021:  
<https://www.amazon.ca/dp/B00VPVJYBE/> (Year: 2016).\*

(51) **LOC (13) Cl.** ..... **23-01**

(52) **U.S. Cl.**  
USPC ..... **D23/226**

(58) **Field of Classification Search**  
USPC ..... D23/213, 223, 224, 226, 228, 229, 238,  
D23/239, 240, 241, 242, 250  
CPC ..... B05B 1/16; B05B 1/1618; B05B 1/18;  
E03C 1/0401; E03C 1/0405; E03C  
1/0408; E03C 1/066; E03C 2001/0415  
See application file for complete search history.

(Continued)

*Primary Examiner* — Jack Reickel  
*Assistant Examiner* — Bobby W Jones, II  
(74) *Attorney, Agent, or Firm* — Nirav D. Parikh; Edgar  
A. Zarins

(56) **References Cited**

**U.S. PATENT DOCUMENTS**

D291,236 S \* 8/1987 Delepine ..... D23/242  
D329,688 S \* 9/1992 Yost ..... D23/255  
D476,396 S \* 6/2003 Hanna ..... D23/238  
D532,870 S \* 11/2006 Lobermeier ..... D23/238  
D534,625 S \* 1/2007 Kemp ..... D23/232  
D583,023 S \* 12/2008 Downey ..... D23/255  
D586,884 S \* 2/2009 Kollmann ..... D23/238  
D615,613 S \* 5/2010 Corbett ..... D23/223  
D617,423 S \* 6/2010 Suzuki ..... D23/238  
D645,943 S \* 9/2011 Downey ..... D23/255  
8,118,240 B2 \* 2/2012 Rodenbeck ..... E03C 1/0404  
239/67  
D665,877 S \* 8/2012 Fritz ..... D23/238

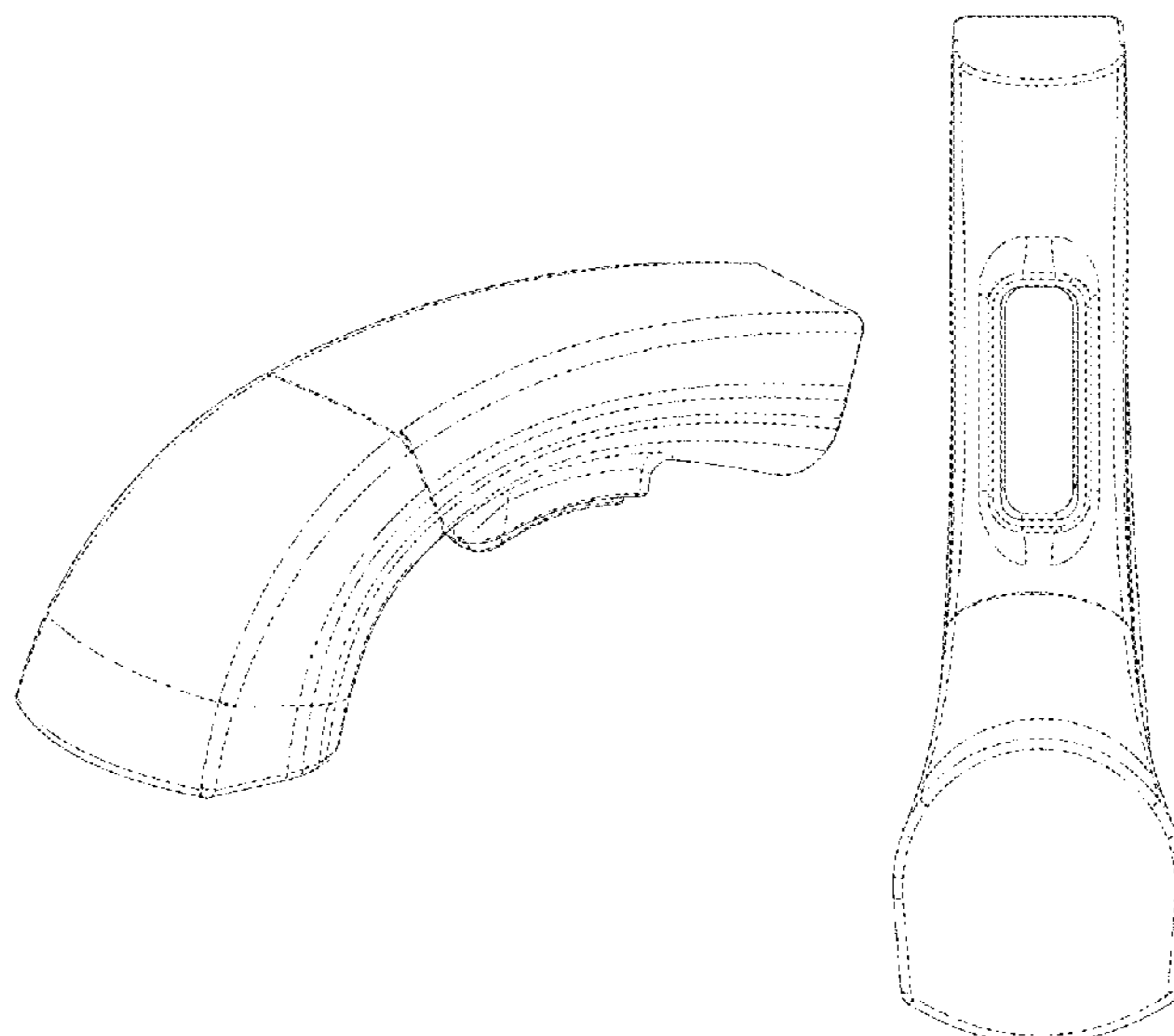
(57) **CLAIM**

The ornamental design for a faucet sprayhead, as shown and described.

**DESCRIPTION**

FIG. 1 is a front perspective view of a faucet sprayhead showing my new design;  
FIG. 2 is a rear perspective view thereof;  
FIG. 3 is a front elevational view thereof;  
FIG. 4 is a left side view thereof;  
FIG. 5 is a rear view thereof;  
FIG. 6 is a right side view thereof;  
FIG. 7 is a top plan view thereof; and,  
FIG. 8 is a bottom view thereof.

**1 Claim, 4 Drawing Sheets**



(56)

**References Cited**

U.S. PATENT DOCUMENTS

2013/0333109 A1\* 12/2013 Li ..... E03C 1/0402  
4/695  
2015/0191901 A1\* 7/2015 Kacik ..... E03C 1/0404  
4/678  
2017/0342692 A1\* 11/2017 Hu ..... E03C 1/0412  
2018/0155905 A1\* 6/2018 Johnson ..... F16K 19/006  
2019/0143347 A1\* 5/2019 Li ..... E03C 1/0409  
239/558

OTHER PUBLICATIONS

Kohler K-10433, Feb. 15, 2012, Amazon, site visited Oct. 20, 2021:  
<https://www.amazon.ca/dp/B000MFA4IG/> (Year: 2012).\*  
Pfister LF-538-5LCY, Dec. 1, 2011, Amazon, site visited Aug. 5,  
2021: <https://www.amazon.com/dp/B01DYX0POK/> (Year: 2011).\*

\* cited by examiner

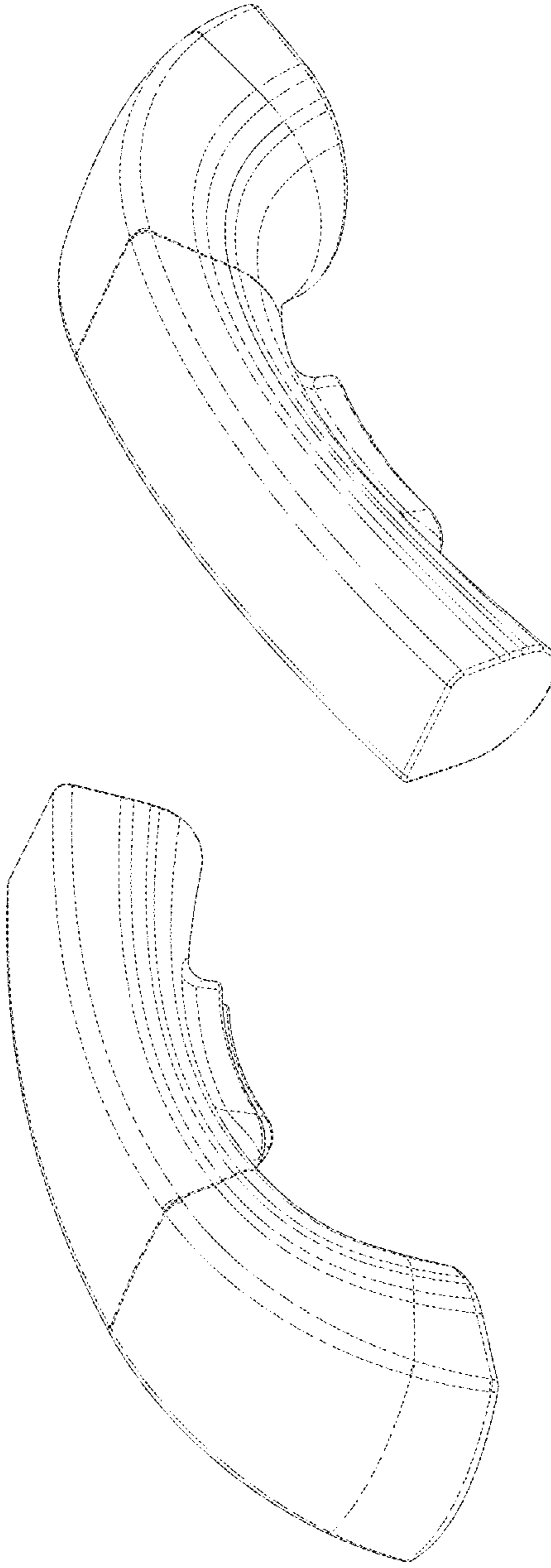


FIG - 1

FIG - 2

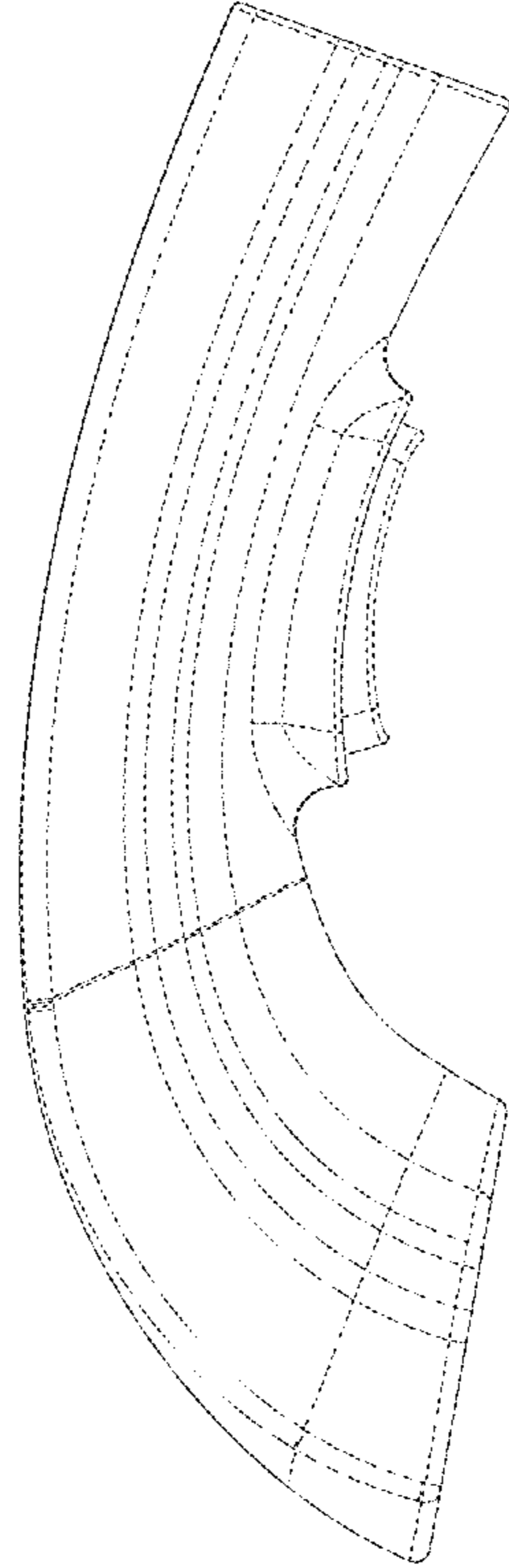


FIG - 4

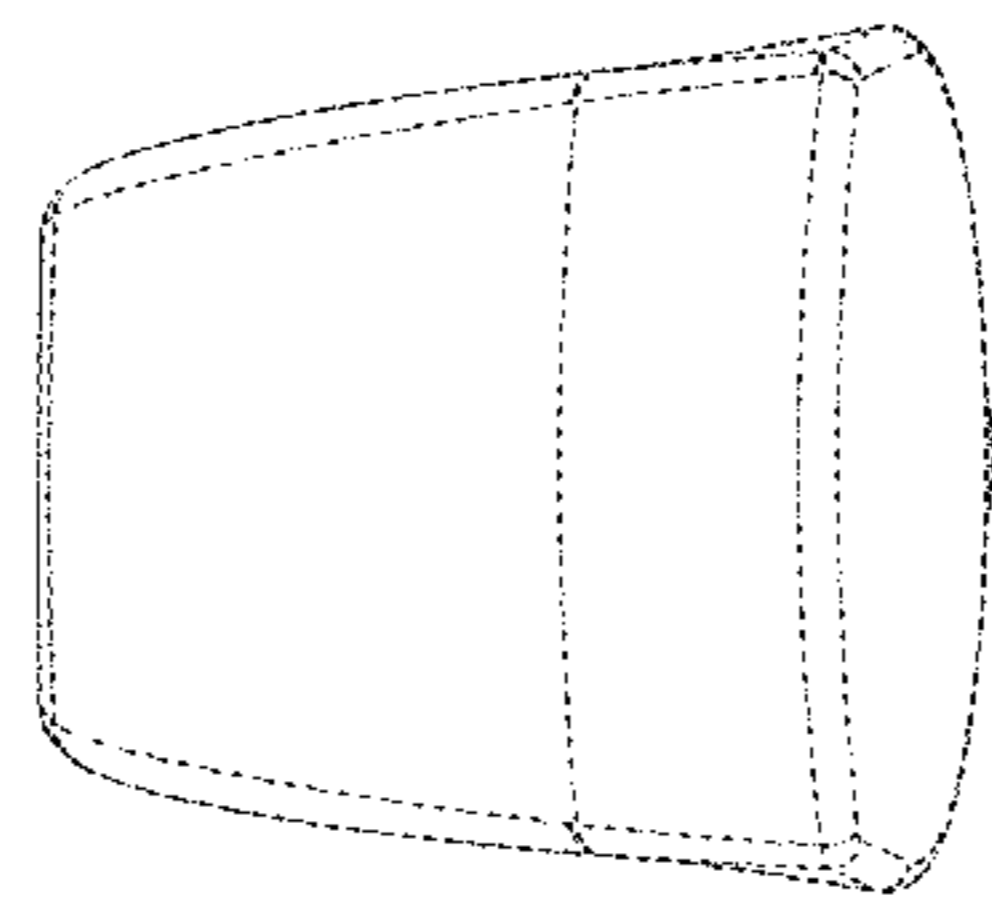


FIG - 3

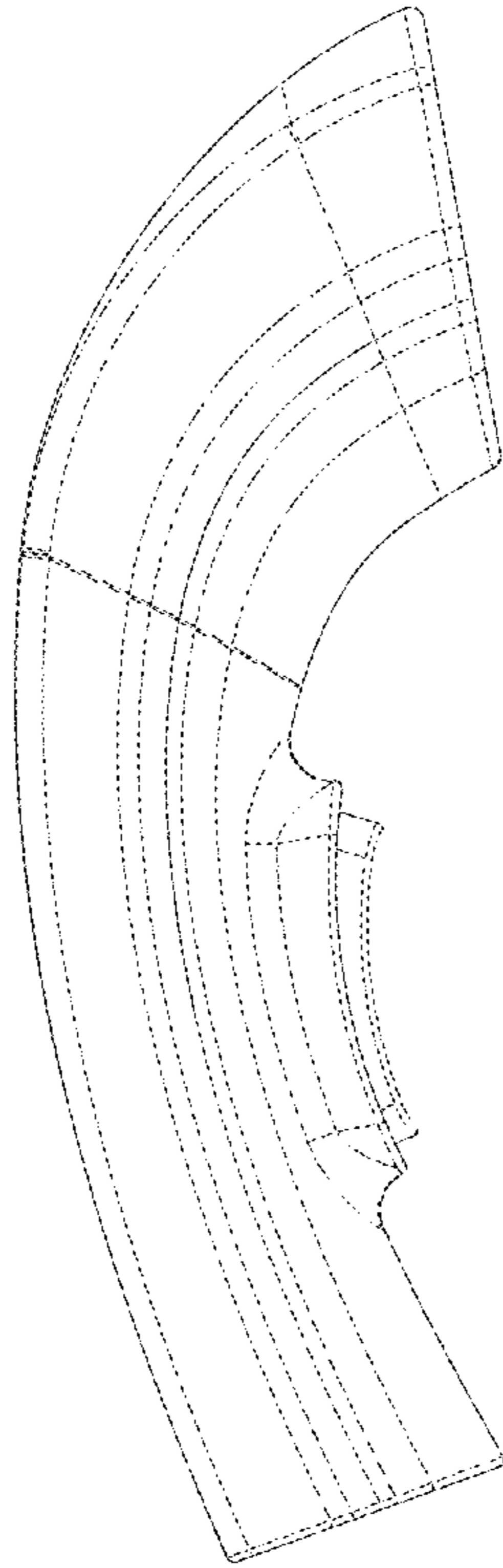


FIG - 6

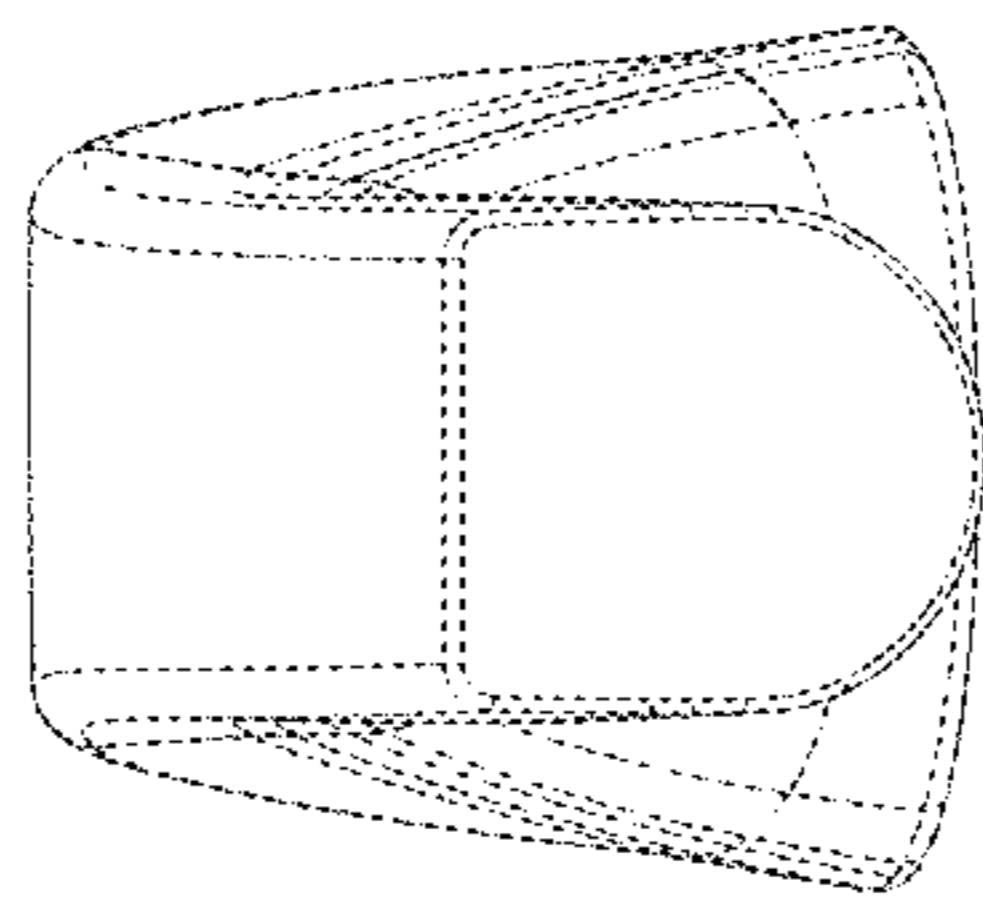


FIG - 5

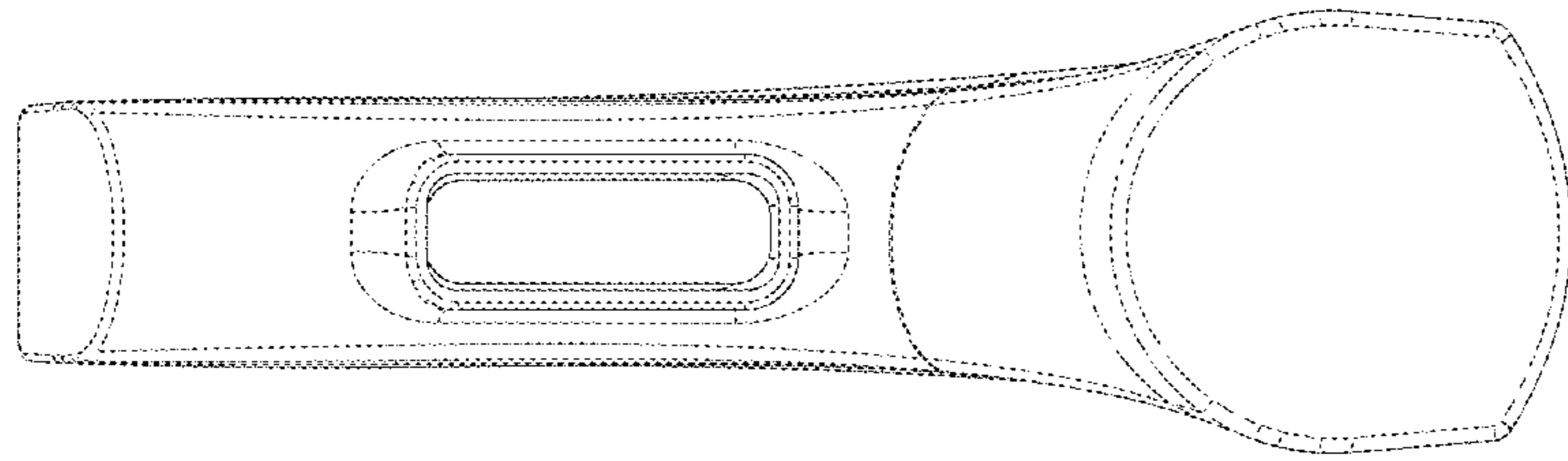


FIG - 8

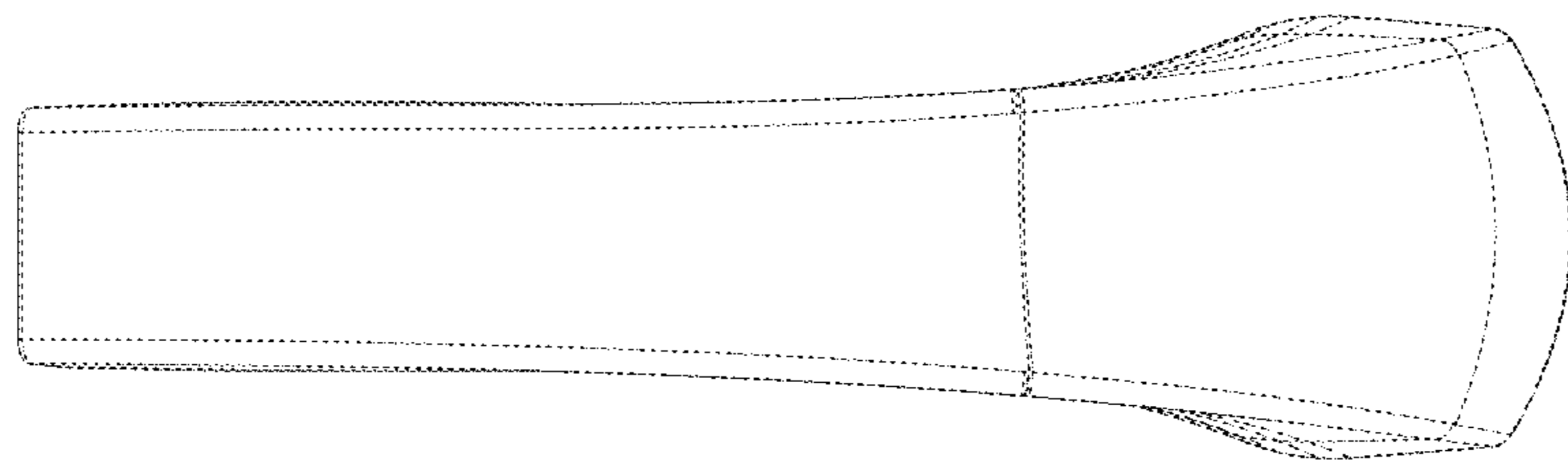


FIG - 7